

US00D664022S

(12) **United States Design Patent**
Gilbert

(10) **Patent No.:** **US D664,022 S**

(45) **Date of Patent:** **** Jul. 24, 2012**

(54) **HANDLE**

(75) **Inventor:** **Christopher Jon Gilbert**, Moreland Hills, OH (US)

(73) **Assignee:** **Moen Incorporated**, North Olmsted, OH (US)

(**) **Term:** **14 Years**

(21) **Appl. No.:** **29/398,257**

(22) **Filed:** **Jul. 28, 2011**

(51) **LOC (9) Cl.** **08-06**

(52) **U.S. Cl.** **D8/316**

(58) **Field of Classification Search** D8/300,

D8/315, 316, 317, 319, 320, DIG. 1, 321, D8/404; D6/549, 550; D99/11; 16/110.1, 16/412, 415; 211/105.1; 248/254, 262

See application file for complete search history.

(56) **References Cited**

U.S. PATENT DOCUMENTS

363,954 A	5/1887	Gould	
D194,968 S	* 4/1963	Stelma	D8/317
D239,798 S	* 5/1976	Vrignaud	D8/316
D326,991 S	6/1992	Bishop	
D399,406 S	10/1998	Decursu et al.	
D431,444 S	10/2000	Short	
D483,440 S	12/2003	Smith	
D498,290 S	11/2004	Egee	
D511,956 S	* 11/2005	Elwell et al.	D8/322
D522,844 S	6/2006	Harwanko	
D522,845 S	6/2006	Suero	
D547,165 S	7/2007	Barrese	
D574,218 S	8/2008	Jou	

D575,565 S	8/2008	Gilbert	
D579,310 S	* 10/2008	Suh et al.	D8/315
D582,750 S	12/2008	Heidrich et al.	
D587,982 S	3/2009	Mattson et al.	
D588,897 S	3/2009	Ricereto	
D598,269 S	8/2009	Hanes	
D600,479 S	9/2009	Gao	
D602,758 S	10/2009	Jou	
D611,572 S	3/2010	Gao	
D611,797 S	3/2010	Koskela	
D616,682 S	6/2010	Gilbert	
D619,222 S	7/2010	Smith et al.	

* cited by examiner

Primary Examiner — Paula Greene

(74) *Attorney, Agent, or Firm* — Calfee, Halter & Griswold LLP

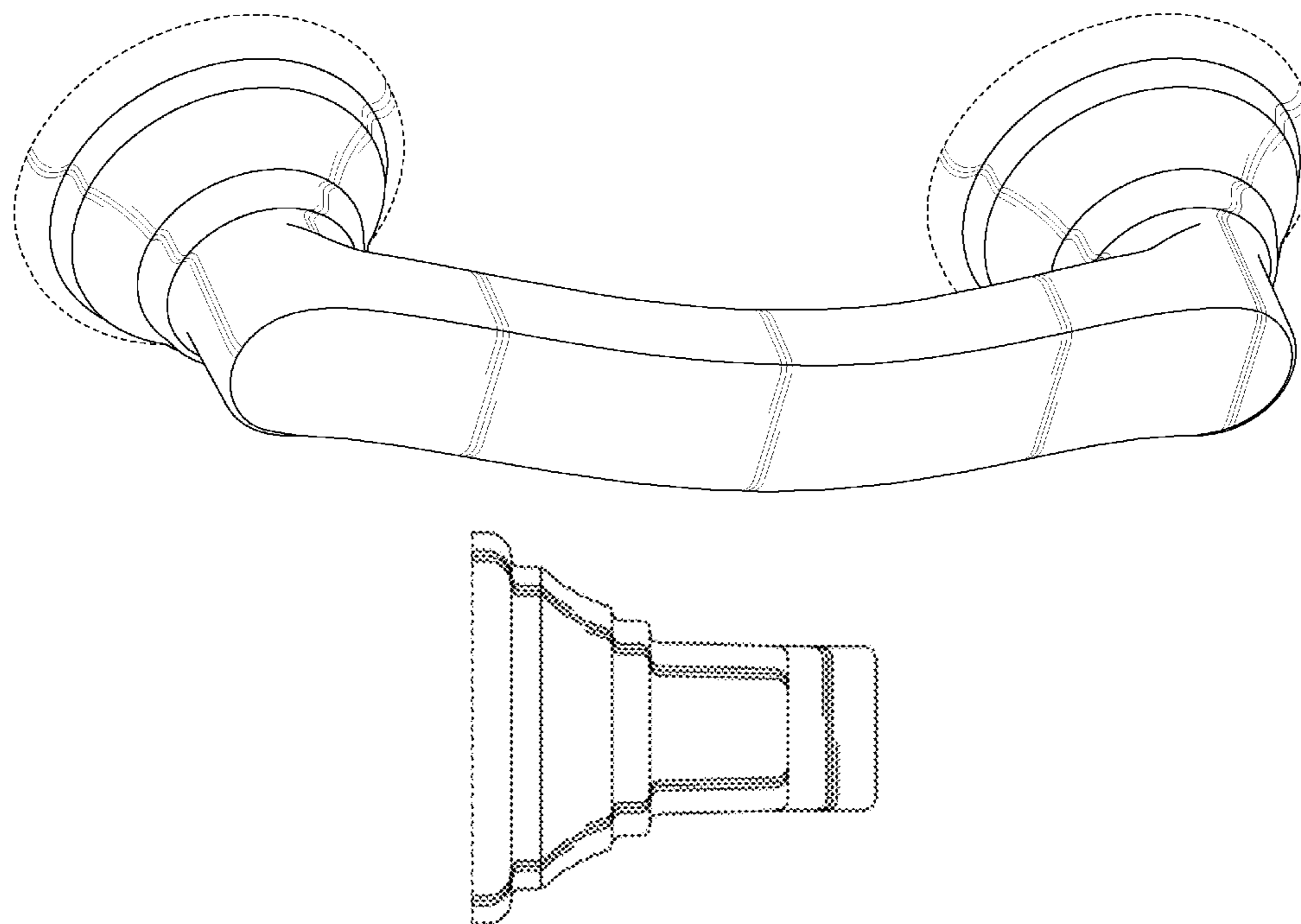
(57) **CLAIM**

The ornamental design for a handle, as shown and described.

DESCRIPTION

FIG. 1 is a perspective view of a handle of the new design; FIG. 2 is a front elevational view of the handle of the new design; FIG. 3 is a rear elevational view of the handle of the new design; FIG. 4 is a left side elevational view of the handle of the new design, the right side elevational view being a mirror image thereof; and, FIG. 5 is a top plan view of the handle of the new design, the bottom plan view being a mirror image thereof. The portions of the Figures shown in broken lines are not part of the claimed design and are for illustration only.

1 Claim, 3 Drawing Sheets



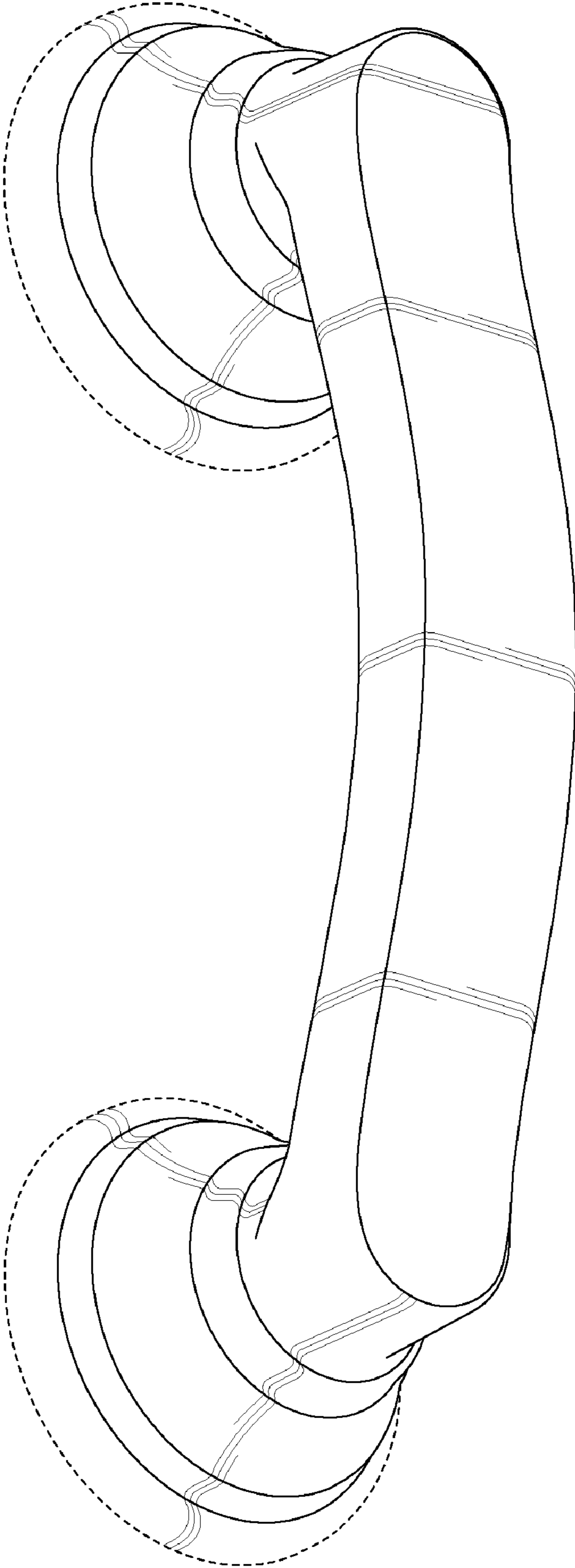


FIG. 1

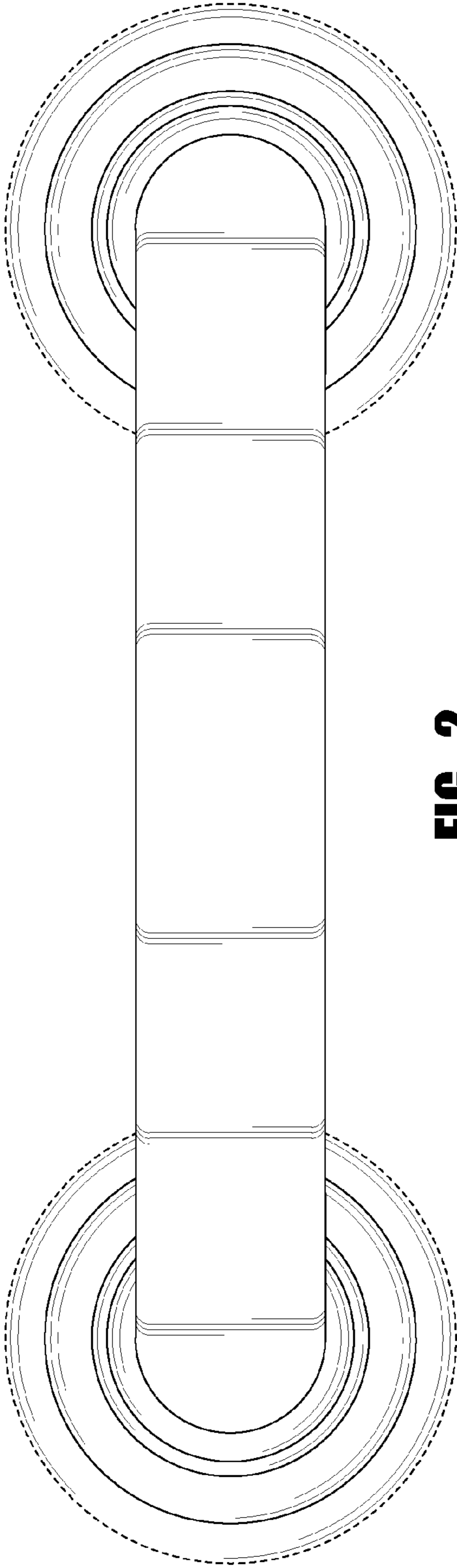


FIG. 2

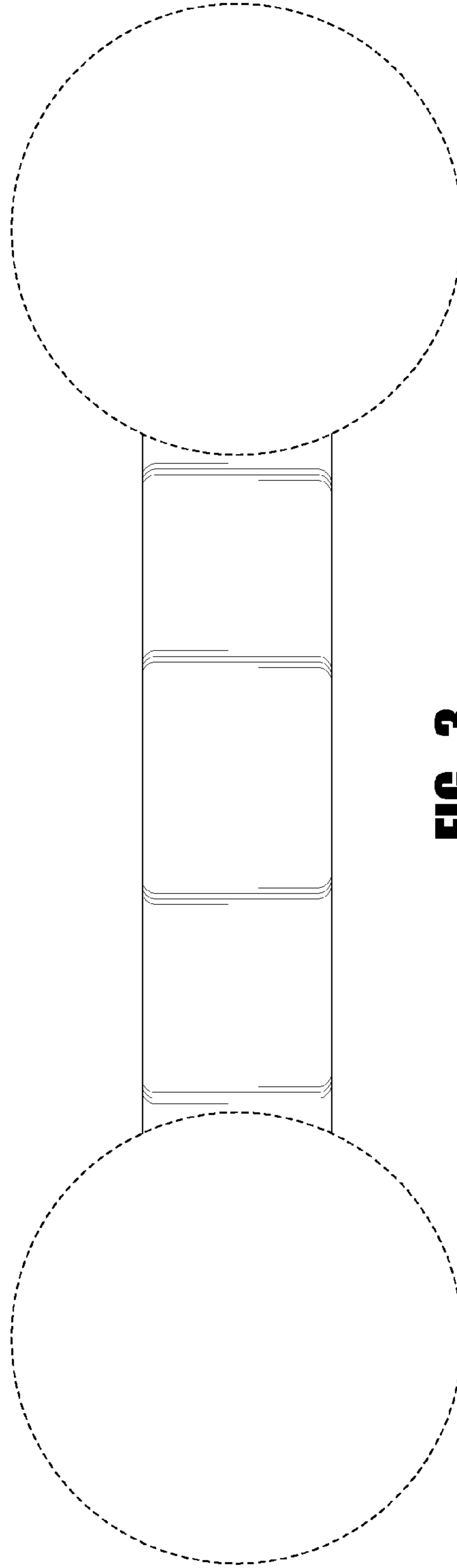


FIG. 3

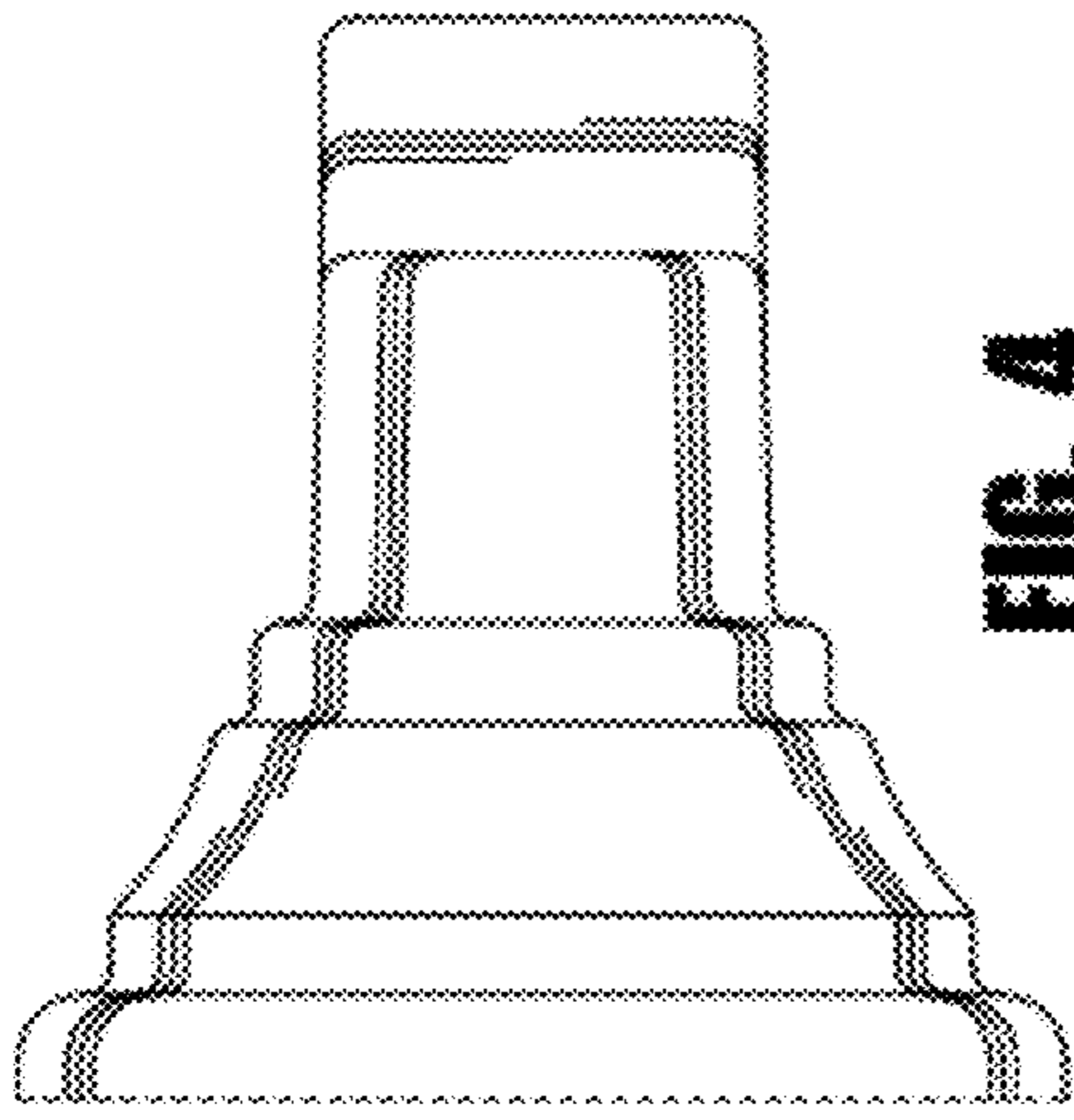


FIG. 4

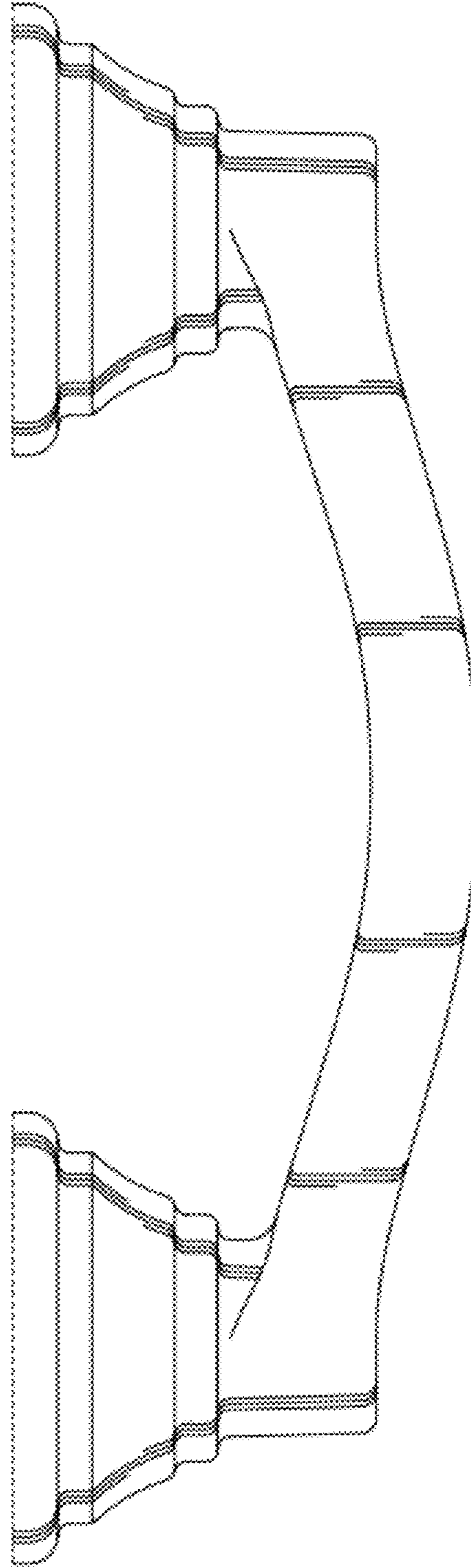


FIG. 5