



US00D664017S

(12) **United States Design Patent**
Carruth

(10) **Patent No.:** **US D664,017 S**

(45) **Date of Patent:** **** *Jul. 24, 2012**

(54) **CAMSHAFT INSTALLATION TOOL**

6,434,809 B1 * 8/2002 Khurana 29/281
D478,498 S * 8/2003 Ito et al. D8/358
D600,247 S * 9/2009 Crozier et al. D14/484

(75) Inventor: **Brian C. Carruth**, Burbank, OH (US)

(73) Assignee: **Autosales, Incorporated**, Tallmadge, OH (US)

(*) Notice: This patent is subject to a terminal disclaimer.

(**) Term: **14 Years**

(21) Appl. No.: **29/370,944**

(22) Filed: **Sep. 27, 2010**

(51) **LOC (9) Cl.** **08-05**

(52) **U.S. Cl.** **D8/16**

(58) **Field of Classification Search** D8/21-29,
D8/82-87, 107, 308, 356, 358, 359; D14/161,
D14/484, 475, 496; D22/137, 140; D12/206;
D3/24; 137/355.27; 242/213; 206/318,
206/403, 412, 446; 29/156.4 R, 281, 402.08,
29/423, 433, 464, 523, 525, 888.1, 888.01

See application file for complete search history.

(56) **References Cited**

U.S. PATENT DOCUMENTS

4,450,609 A * 5/1984 Hamilton 29/888.1
4,847,963 A * 7/1989 Bendoraitas et al. 29/888.1
4,996,768 A * 3/1991 Seyller 29/888.01
5,247,737 A * 9/1993 Perry et al. 29/888.01
D438,767 S * 3/2001 Luxon et al. D8/21

OTHER PUBLICATIONS

Part No. SUM-900134—Autosales, Inc. dba Summit Racing Equipment, Akron, OH (Copyright 2010—1 page).

Part No. PFM66898—Competition Products, Oshkosh, WI (Dec. 13, 2010—1 page).

* cited by examiner

Primary Examiner — Susan Bennett Hattan

Assistant Examiner — Barbara B Lohr

(74) *Attorney, Agent, or Firm* — Renner, Kenner, Greive, Bobak, Taylor & Weber

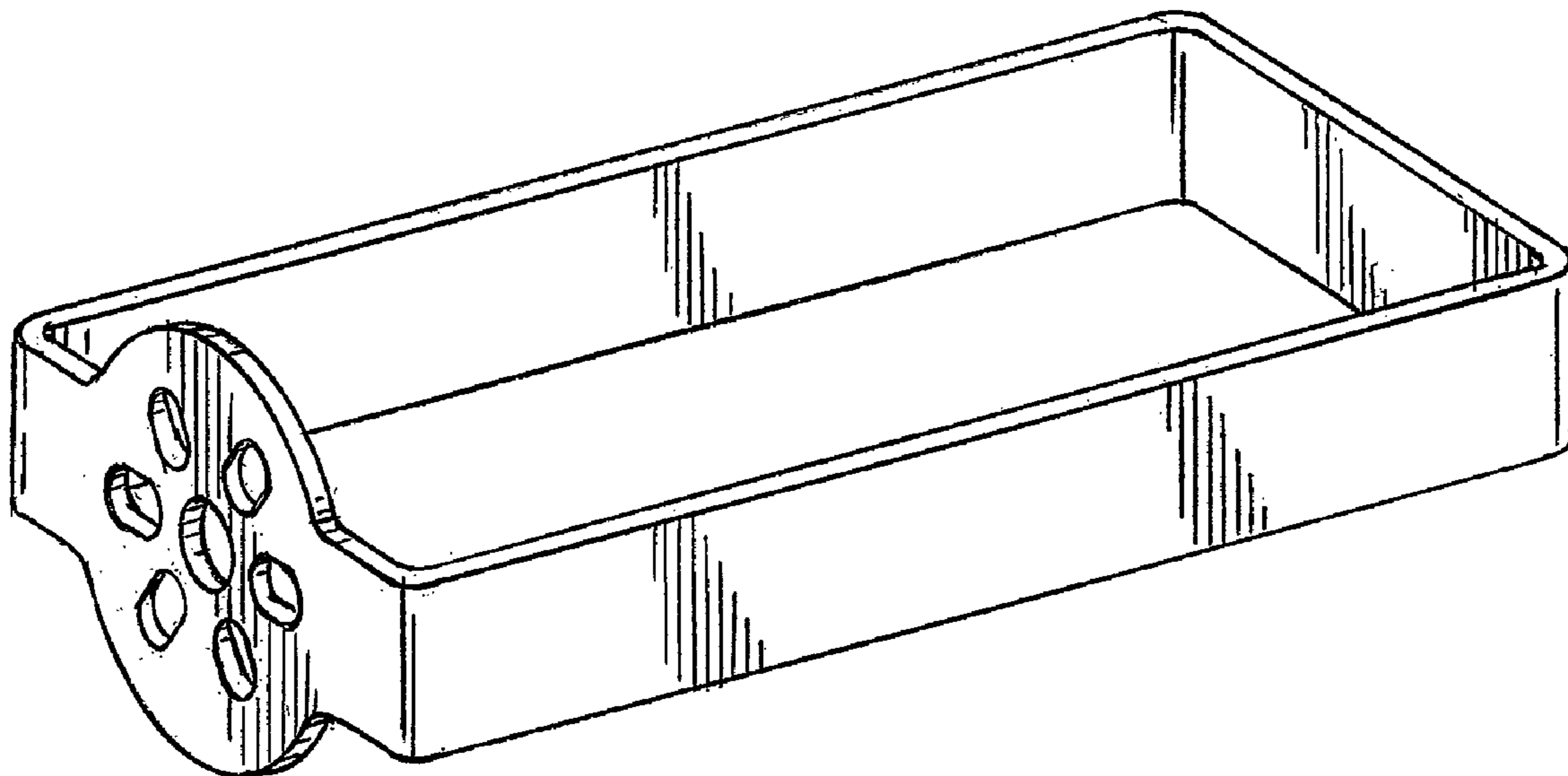
(57) **CLAIM**

The ornamental design for a camshaft installation tool, as shown and described.

DESCRIPTION

FIG. 1 is a front, top, right side perspective view of a camshaft installation tool showing my new design; FIG. 2 is a front elevational view thereof; FIG. 3 is a rear elevational view thereof; FIG. 4 is a left side elevational view thereof, the right side being a mirror image of FIG. 4; and, FIG. 5 is a bottom plan view thereof, the top plan view being a mirror image of FIG. 5.

1 Claim, 2 Drawing Sheets



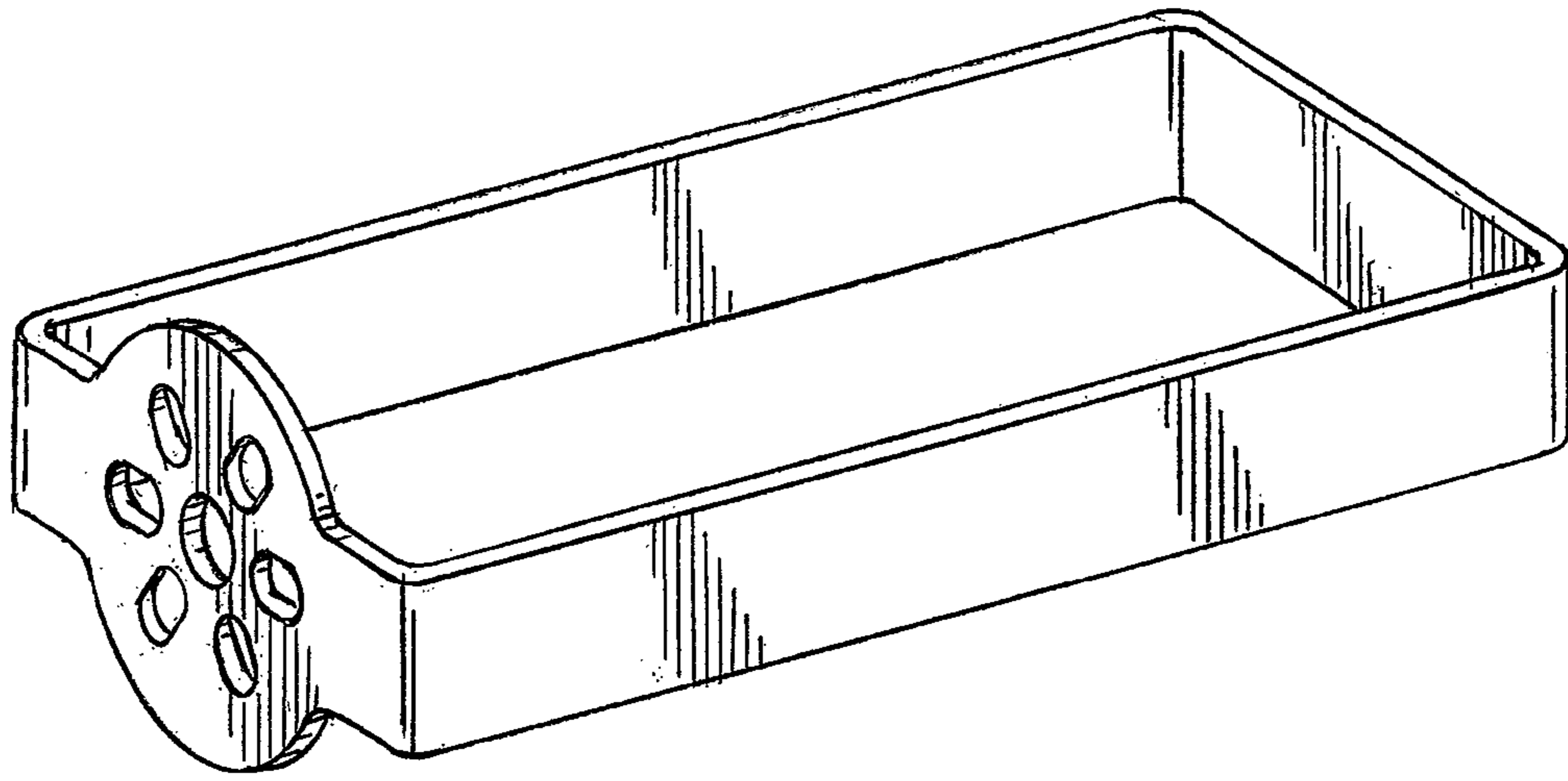


FIG. 1

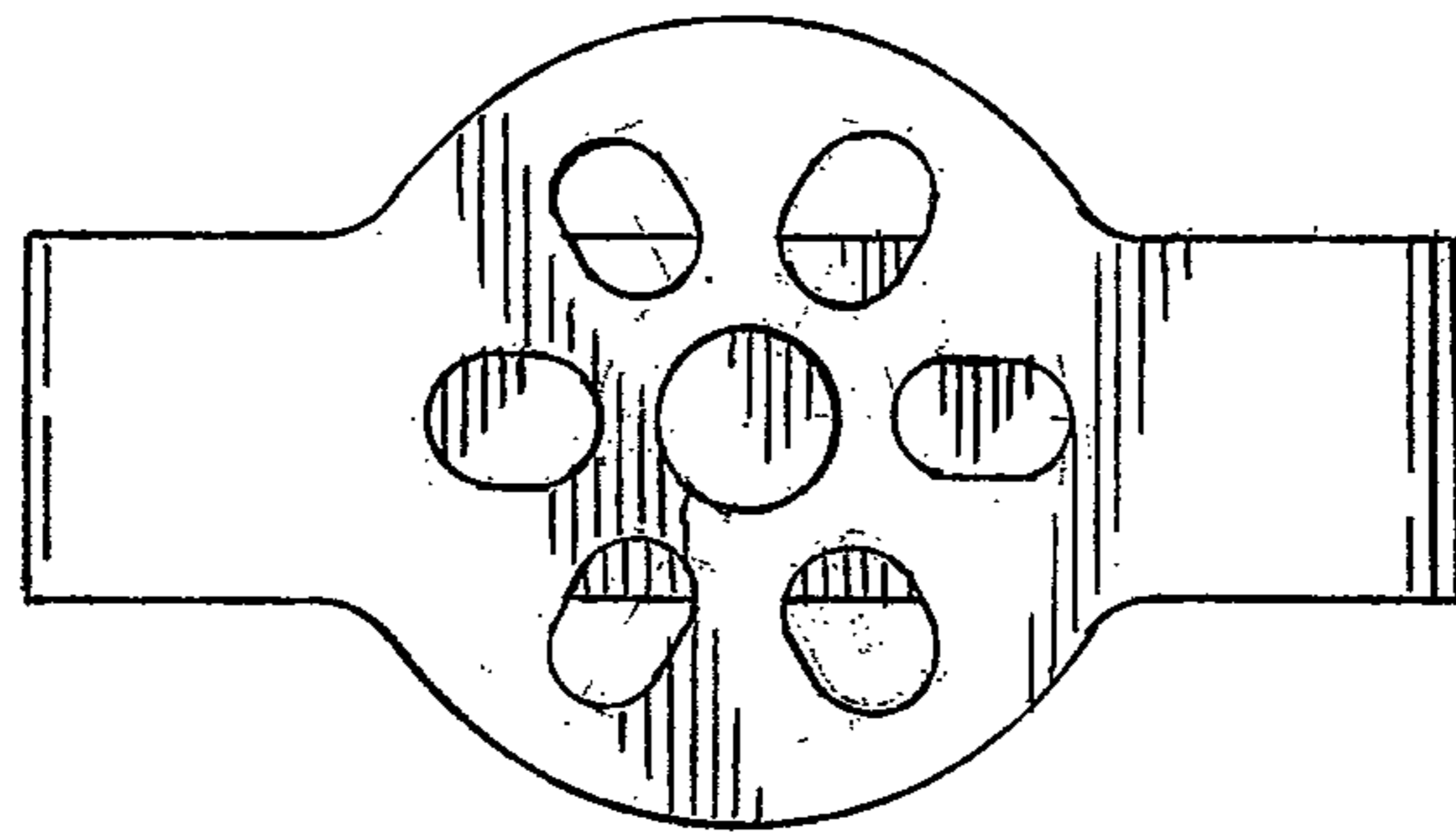


FIG. 2

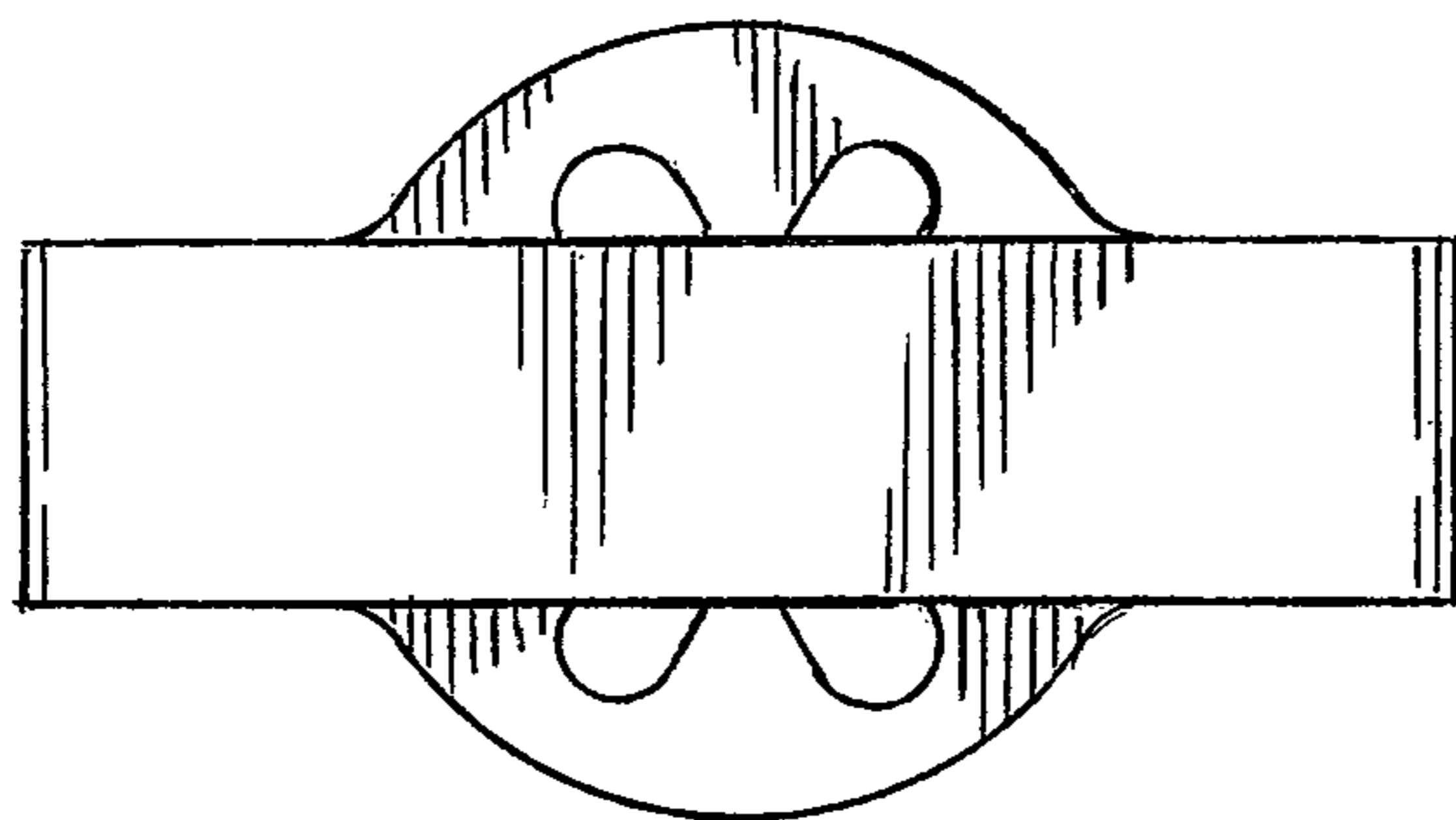


FIG. 3

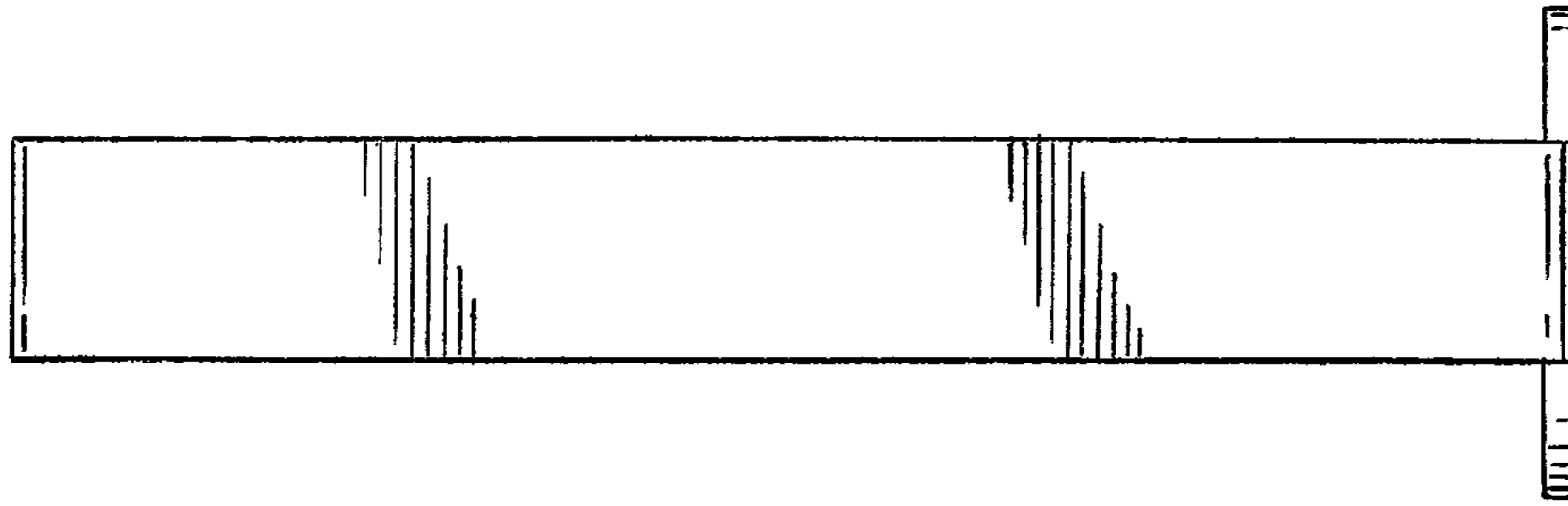


FIG. 4

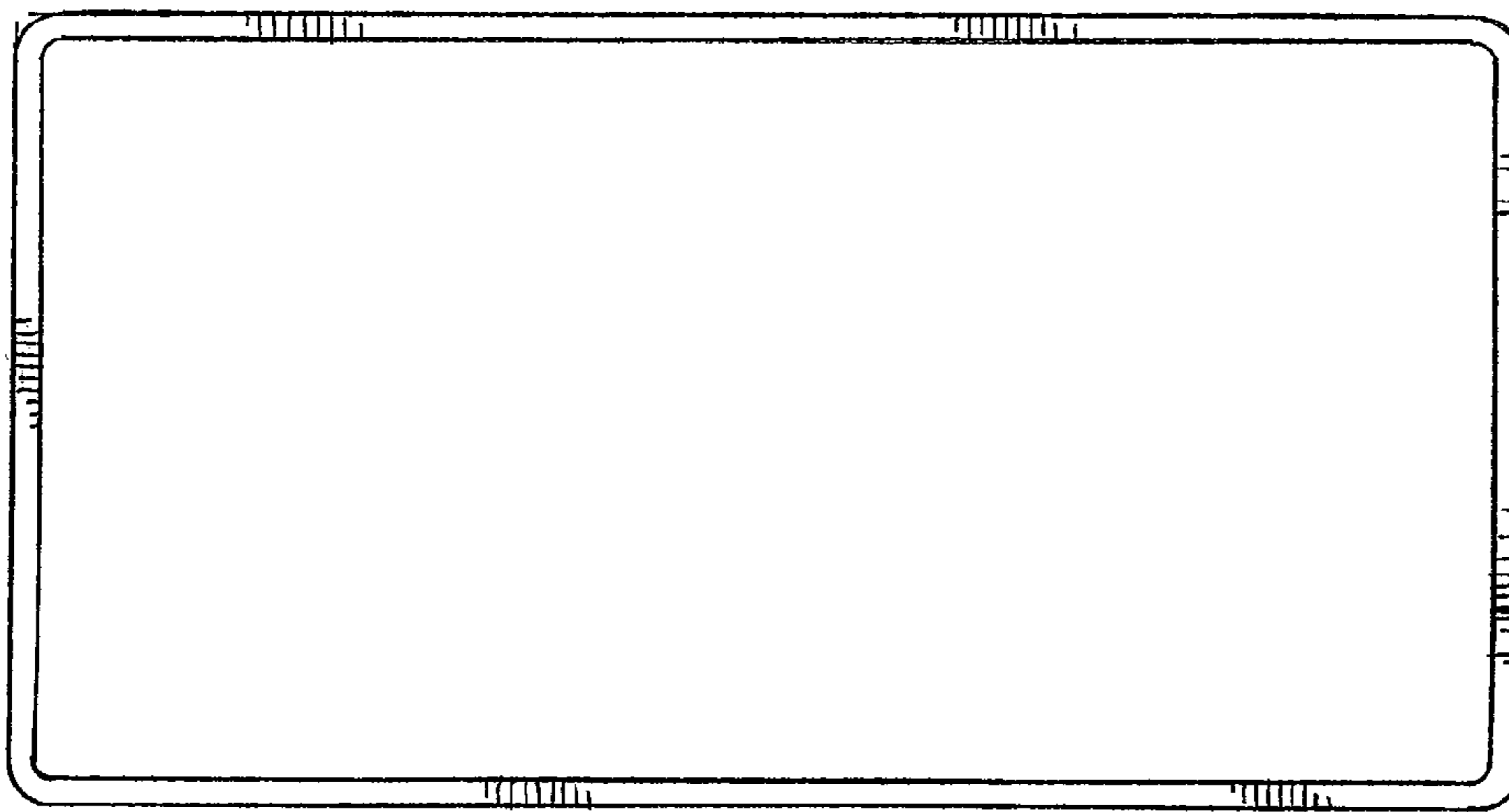


FIG. 5