

US00D664014S

(12) **United States Design Patent**  
**Jalet**

(10) **Patent No.:** **US D664,014 S**

(45) **Date of Patent:** **\*\* Jul. 24, 2012**

(54) **CHEESE SLICER**

(75) Inventor: **Vincent Jalet**, Brussels (BE)

(73) Assignee: **Dart Industries Inc.**, Orlando, FL (US)

(\*\*) Term: **14 Years**

(21) Appl. No.: **29/374,000**

(22) Filed: **Jun. 20, 2011**

(51) **LOC (9) Cl.** ..... **07-04**

(52) **U.S. Cl.** ..... **D7/695; D7/673**

(58) **Field of Classification Search** ..... D7/672,  
D7/673, 680-696, 393, 395; 30/279.6, 115,  
30/116, 278, 280, 282, 304, 340, 123.5, 283,  
30/343, 291, 293; 7/156; 99/452, 537  
See application file for complete search history.

(56) **References Cited**

U.S. PATENT DOCUMENTS

1,533,445	A	4/1925	Möller
1,939,283	A	12/1933	Shailer et al.
2,007,012	A	7/1935	Troendly
2,093,867	A	9/1937	Fitzgerald
2,475,824	A	7/1949	Devine

2,562,842	A	*	7/1951	Cushman	.....	30/116
2,869,230	A		1/1959	Uebel		
D458,519	S	*	6/2002	Tse	.....	D7/673
D488,362	S	*	4/2004	Overthun et al.	.....	D7/695
D506,650	S		6/2005	Lee		
2005/0262703	A1		12/2005	Best et al.		
2005/0278957	A1		12/2005	McCullough		

\* cited by examiner

*Primary Examiner* — Terry Wallace

(74) *Attorney, Agent, or Firm* — John A. Doninger

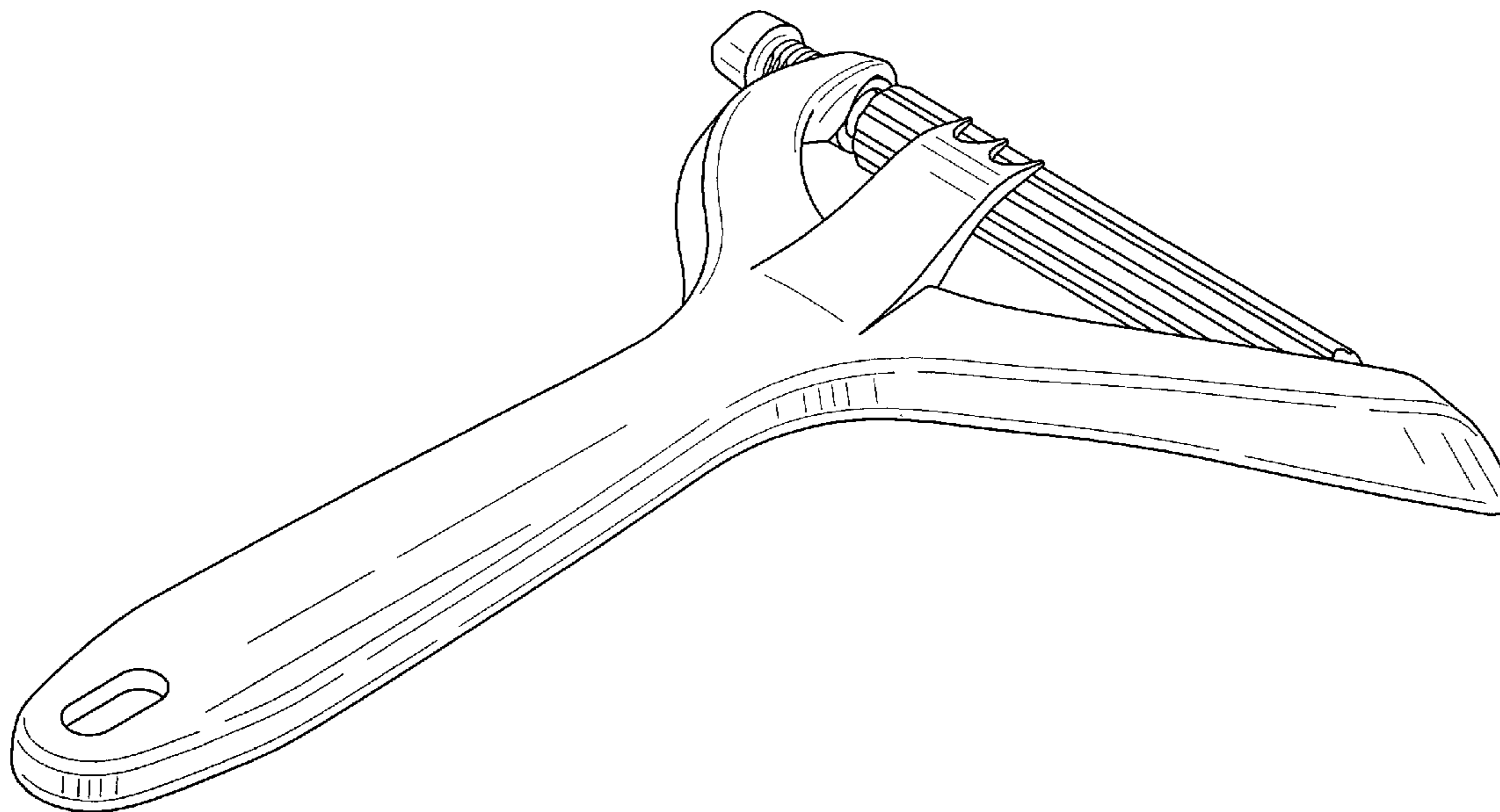
(57) **CLAIM**

The ornamental design for a cheese slicer, as shown and described.

**DESCRIPTION**

FIG. 1 is a top, side and front perspective view of a cheese slicer showing my new design;  
FIG. 2 is a bottom, side and rear perspective view thereof;  
FIG. 3 is a top plan view thereof;  
FIG. 4 is a bottom plan view thereof;  
FIG. 5 is a front elevation view thereof;  
FIG. 6 is a rear elevation view thereof;  
FIG. 7 is a right side elevation view thereof; and,  
FIG. 8 is a left side elevation view thereof.

**1 Claim, 5 Drawing Sheets**



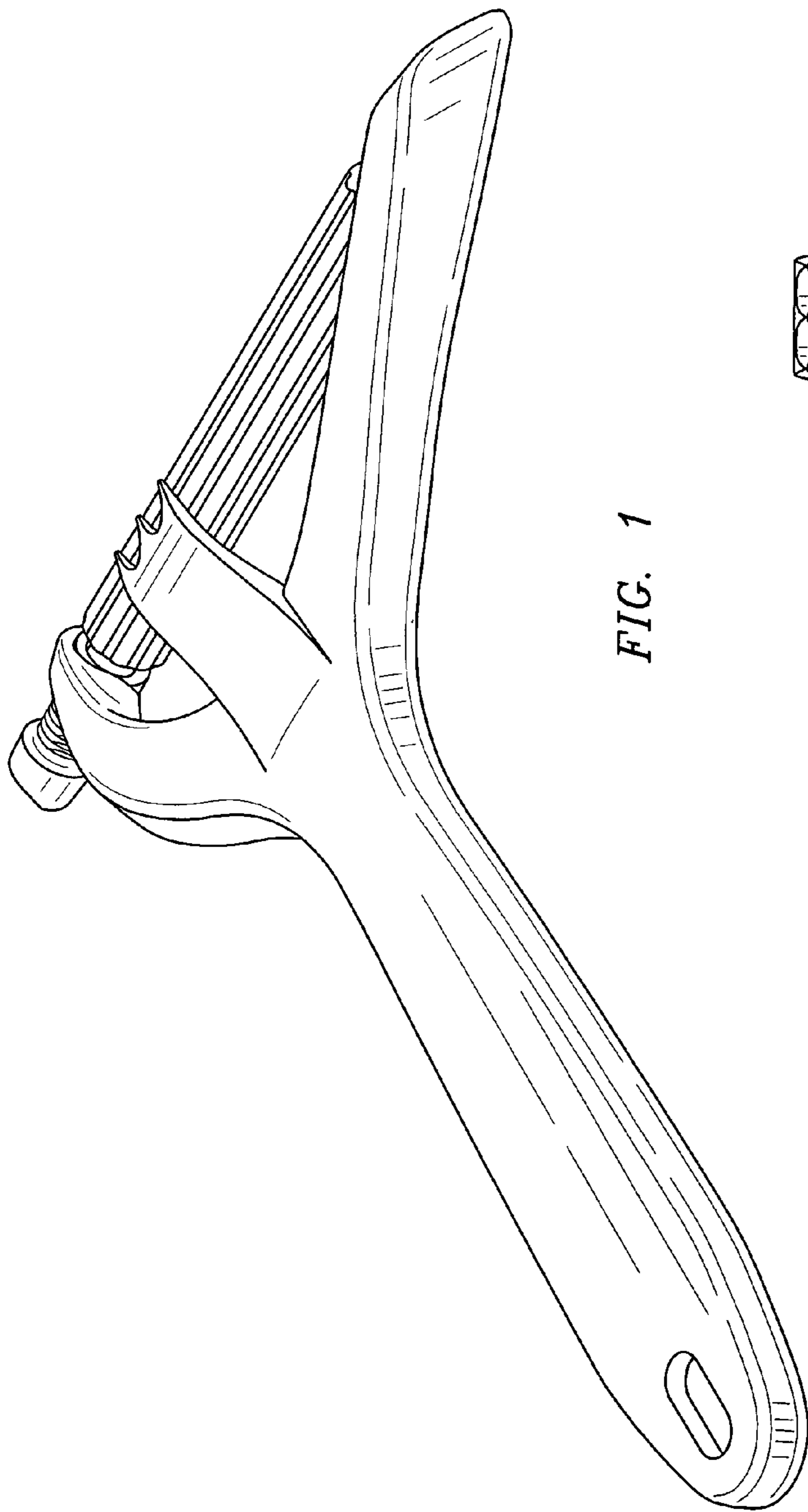


FIG. 1

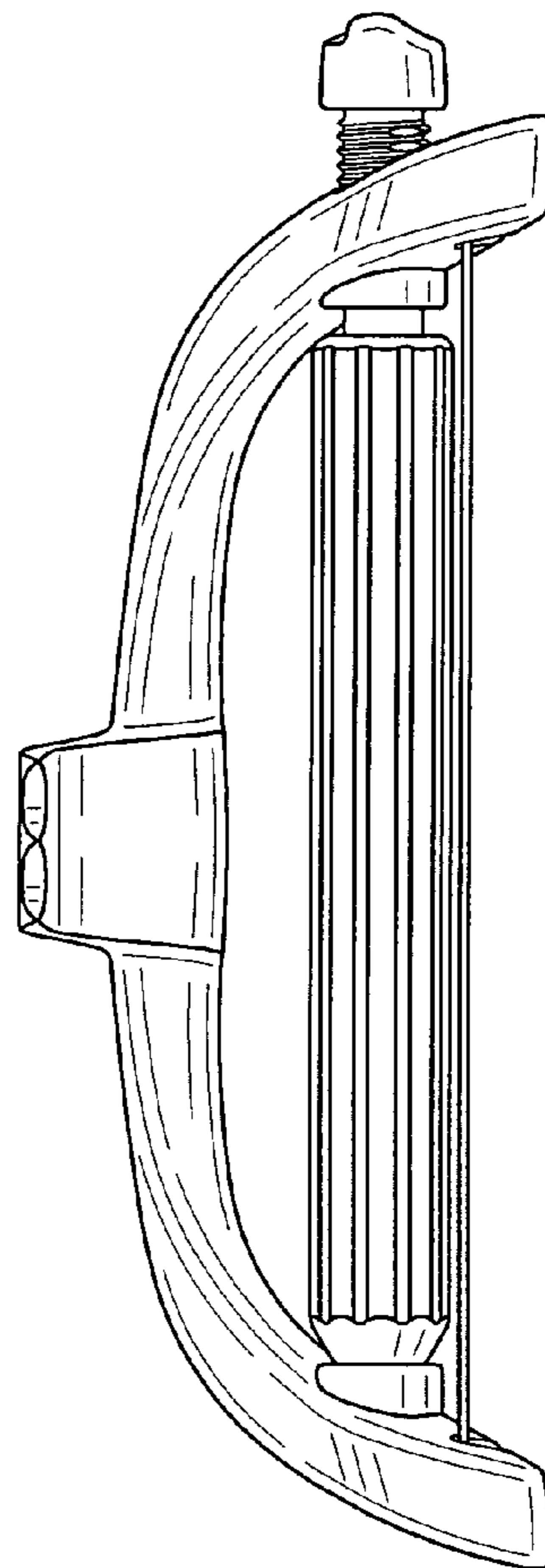


FIG. 3

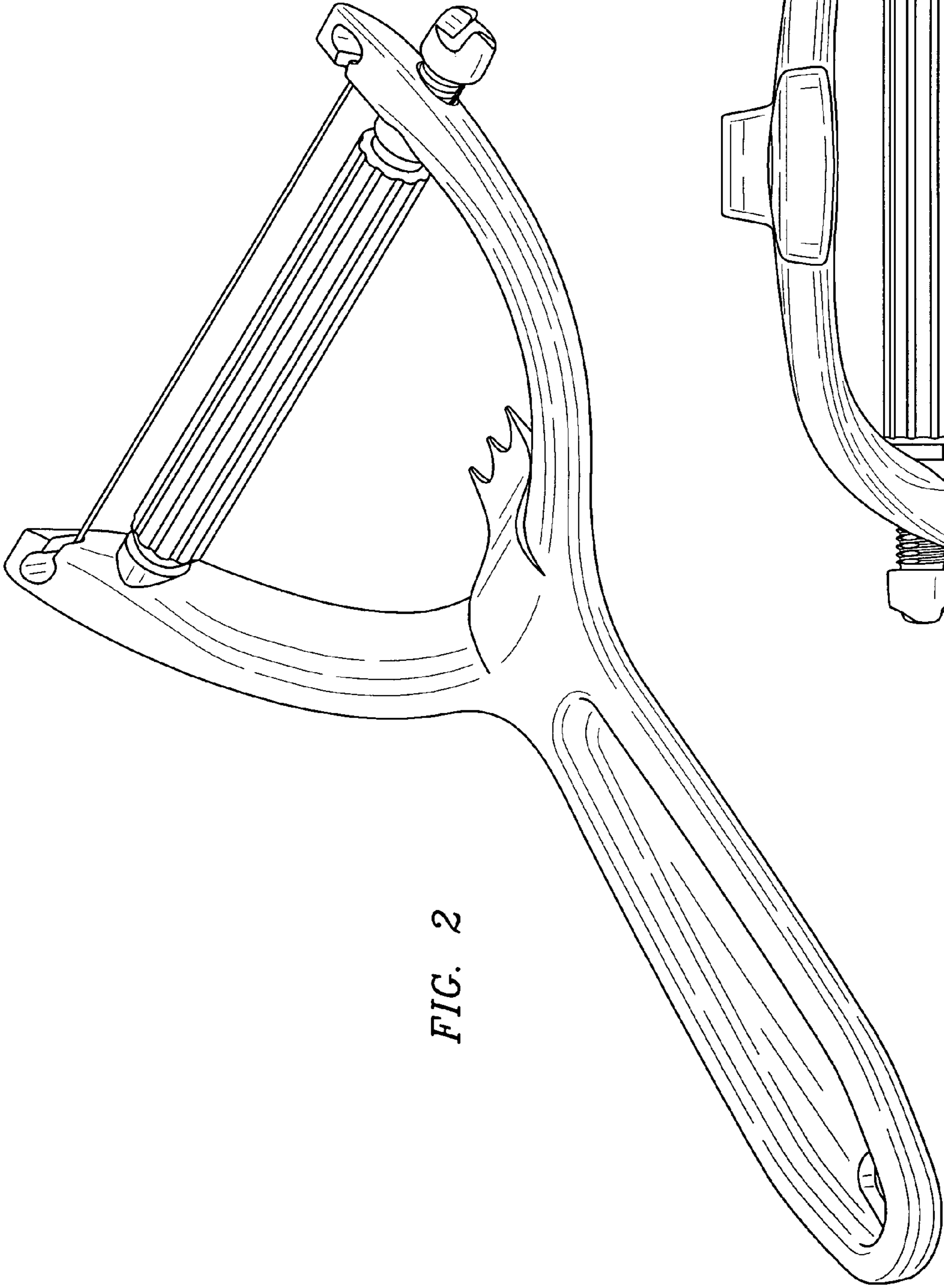


FIG. 2

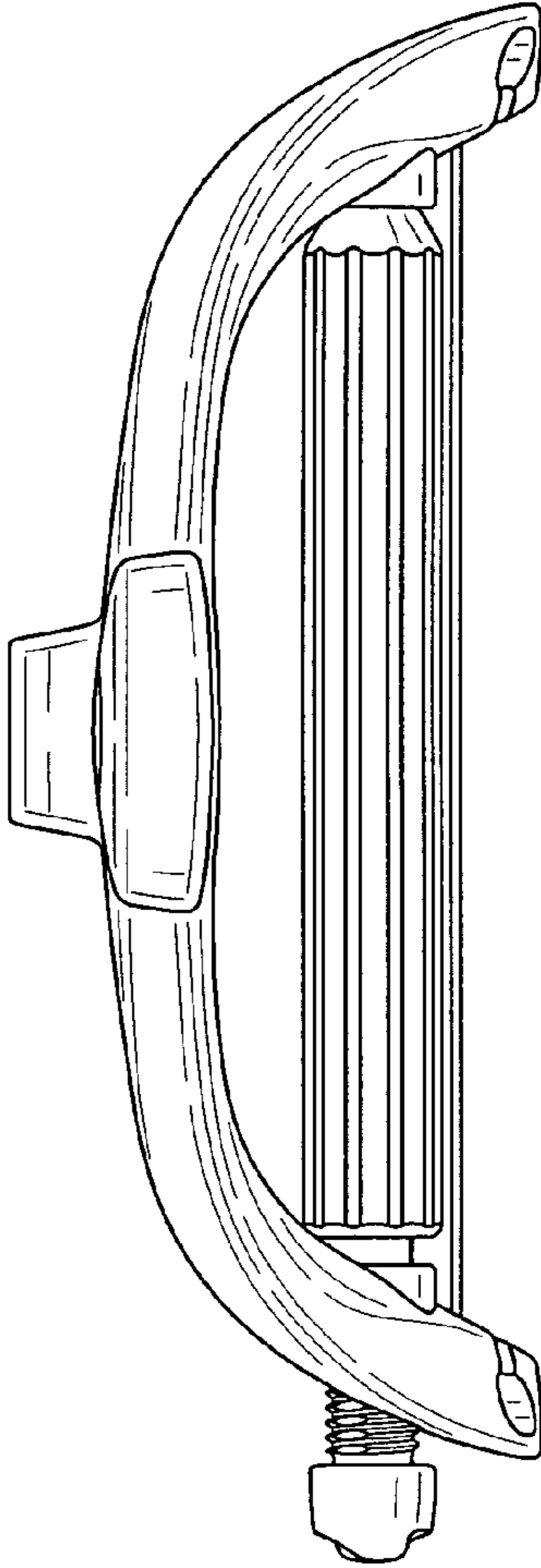


FIG. 4

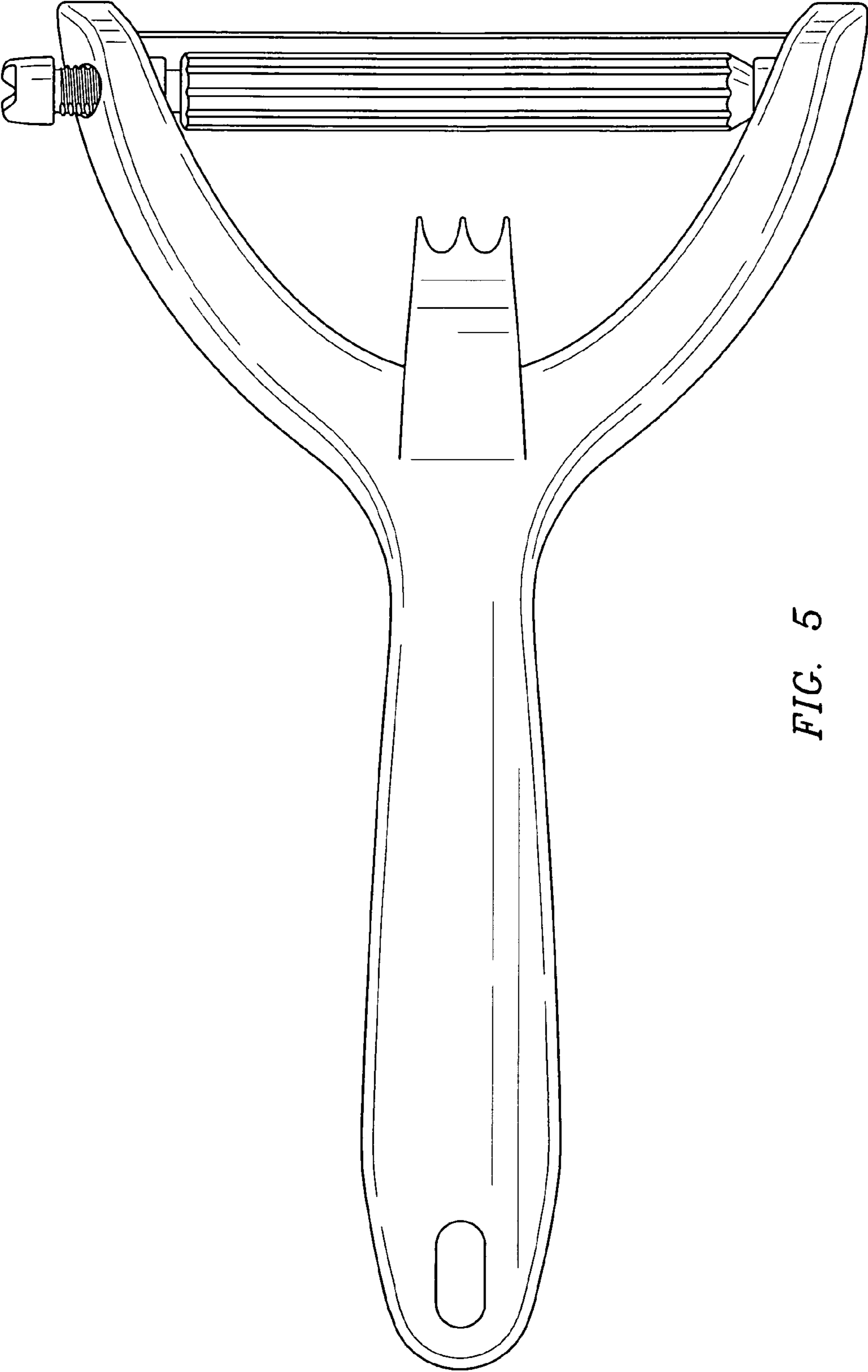


FIG. 5

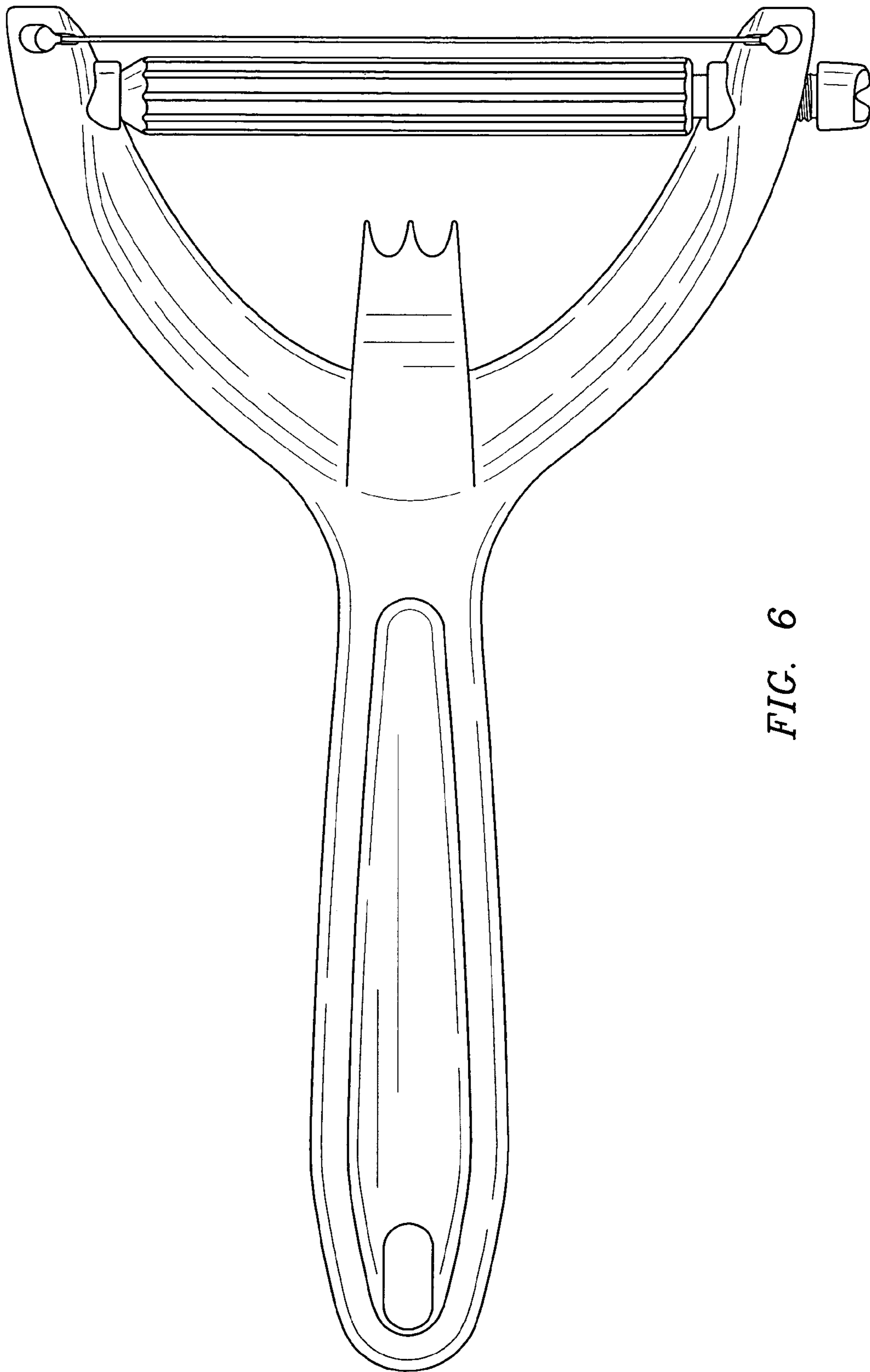


FIG. 6

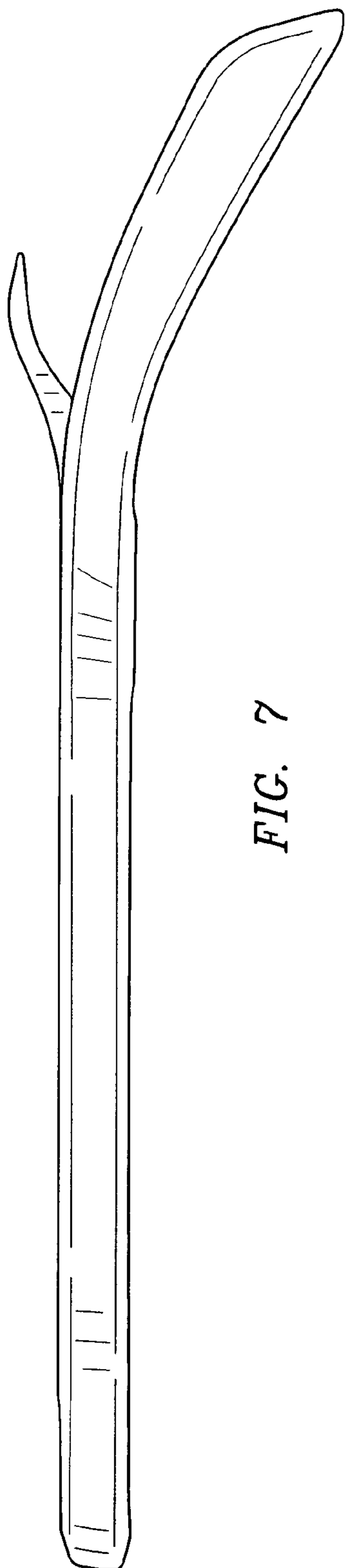


FIG. 7

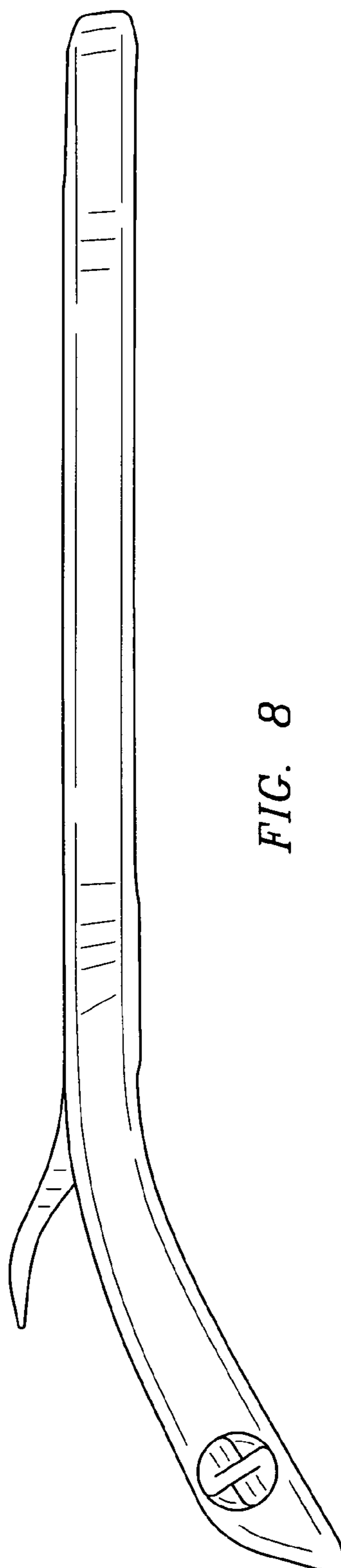


FIG. 8