



US00D664013S

(12) **United States Design Patent**  
**Nguyen**

(10) **Patent No.:** **US D664,013 S**

(45) **Date of Patent:** **\*\* Jul. 24, 2012**

(54) **FOOD SLICER**

(75) Inventor: **Huy Kha Nguyen**, Anaheim, CA (US)

(73) Assignee: **Evrholder Products, LLC**, Anaheim, CA (US)

(\*\*) Term: **14 Years**

(21) Appl. No.: **29/388,267**

(22) Filed: **Mar. 26, 2011**

(51) **LOC (9) Cl.** ..... **07-04**

(52) **U.S. Cl.** ..... **D7/674**

(58) **Field of Classification Search** ..... D7/672-674,  
D7/677, 678, 693, 381, 385, 665, 666, 412;  
30/303, 304, 114, 116; 99/537, 538; 83/466.1,  
83/651.1, 597, 932, 599; 241/167, 169.2,  
241/168, 169.1, 95

See application file for complete search history.

(56) **References Cited**

**U.S. PATENT DOCUMENTS**

D85,385	S	*	10/1931	Lowitz	.....	D7/673
2,405,385	A	*	8/1946	Wingate	.....	83/466.1
2,472,699	A	*	6/1949	Gangemi	.....	83/651.1
D164,693	S	*	10/1951	Koons	.....	D7/673
2,592,657	A	*	4/1952	Cierley	.....	83/543
3,163,192	A	*	12/1964	Lupoli	.....	99/538
D207,378	S	*	4/1967	Levin	.....	D7/693
3,561,511	A	*	2/1971	Kummer	.....	83/597
D255,943	S	*	7/1980	Hernandez	.....	D27/194

4,222,510	A	*	9/1980	Kouloumbini et al.	.....	225/94
4,383,365	A	*	5/1983	Metzigian	.....	30/114
D297,798	S	*	9/1988	Leung	.....	D7/673
D375,661	S	*	11/1996	Ross et al.	.....	D7/673
D400,065	S	*	10/1998	Fohrman	.....	D7/673
D406,990	S	*	3/1999	Ocampo	.....	D7/674
7,249,550	B1	*	7/2007	Thune, Jr.	.....	83/599
D598,718	S	*	8/2009	Bellah	.....	D7/674
7,730,818	B1	*	6/2010	Kannegieter	.....	83/597
D635,409	S	*	4/2011	Coffey	.....	D7/674
2007/0022611	A1	*	2/2007	Verbiest	.....	30/114

\* cited by examiner

*Primary Examiner* — Jeffrey D Asch

(57) **CLAIM**

The ornamental design for a food slicer, as shown and described.

**DESCRIPTION**

FIG. 1 illustrates a top view of the claimed design for a food slicer;

FIG. 2 illustrates a front view thereof;

FIG. 3 illustrates a left-side view thereof;

FIG. 4 illustrates a right-side view thereof;

FIG. 5 illustrates a rear view thereof;

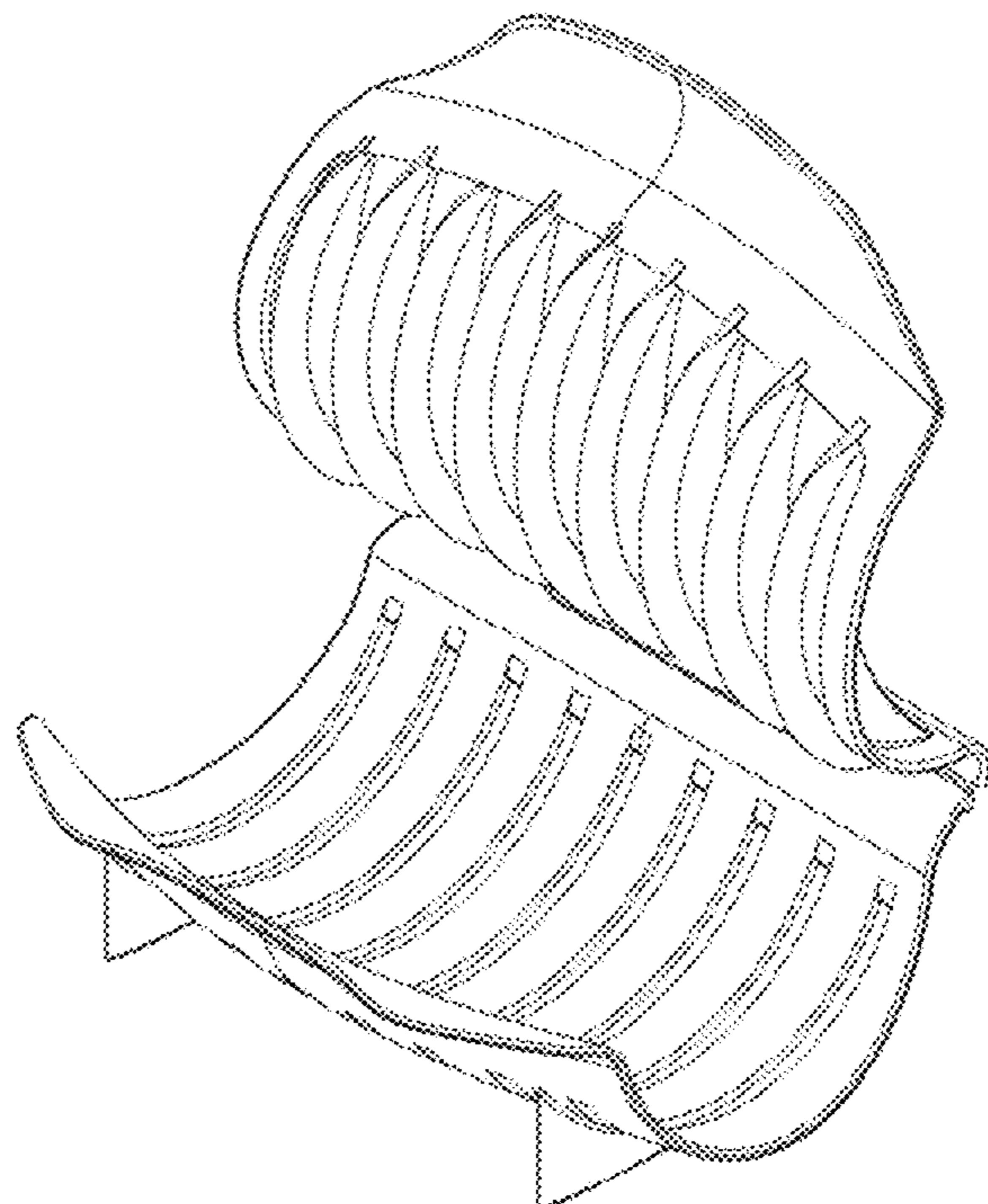
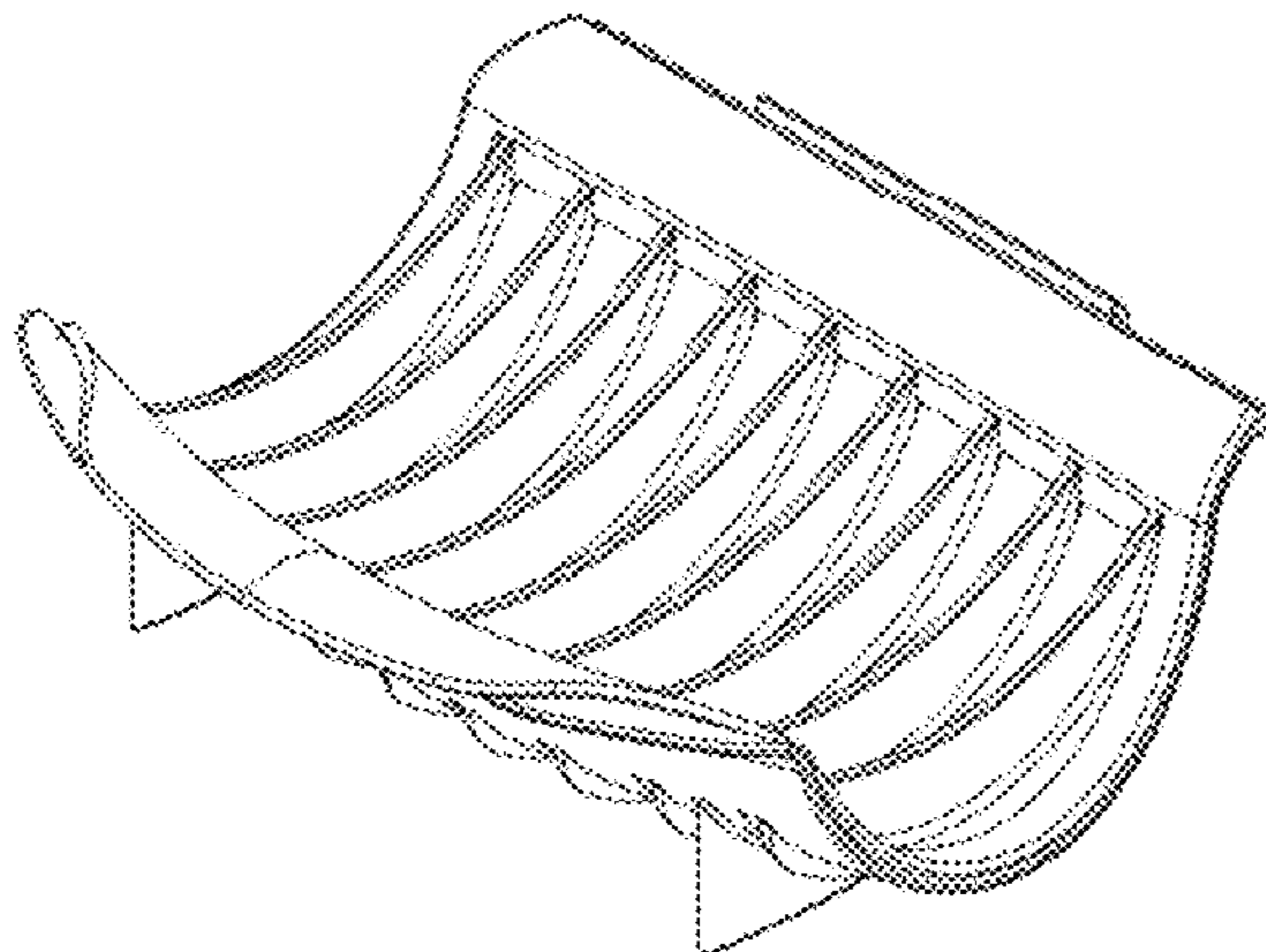
FIG. 6 illustrates a bottom view thereof;

FIG. 7 illustrates a cross-sectional view thereof, taken along line 7-7 of FIG. 1;

FIG. 8 illustrates a perspective view in a closed state thereof; and,

FIG. 9 illustrates a perspective view in an open state thereof.

**1 Claim, 9 Drawing Sheets**



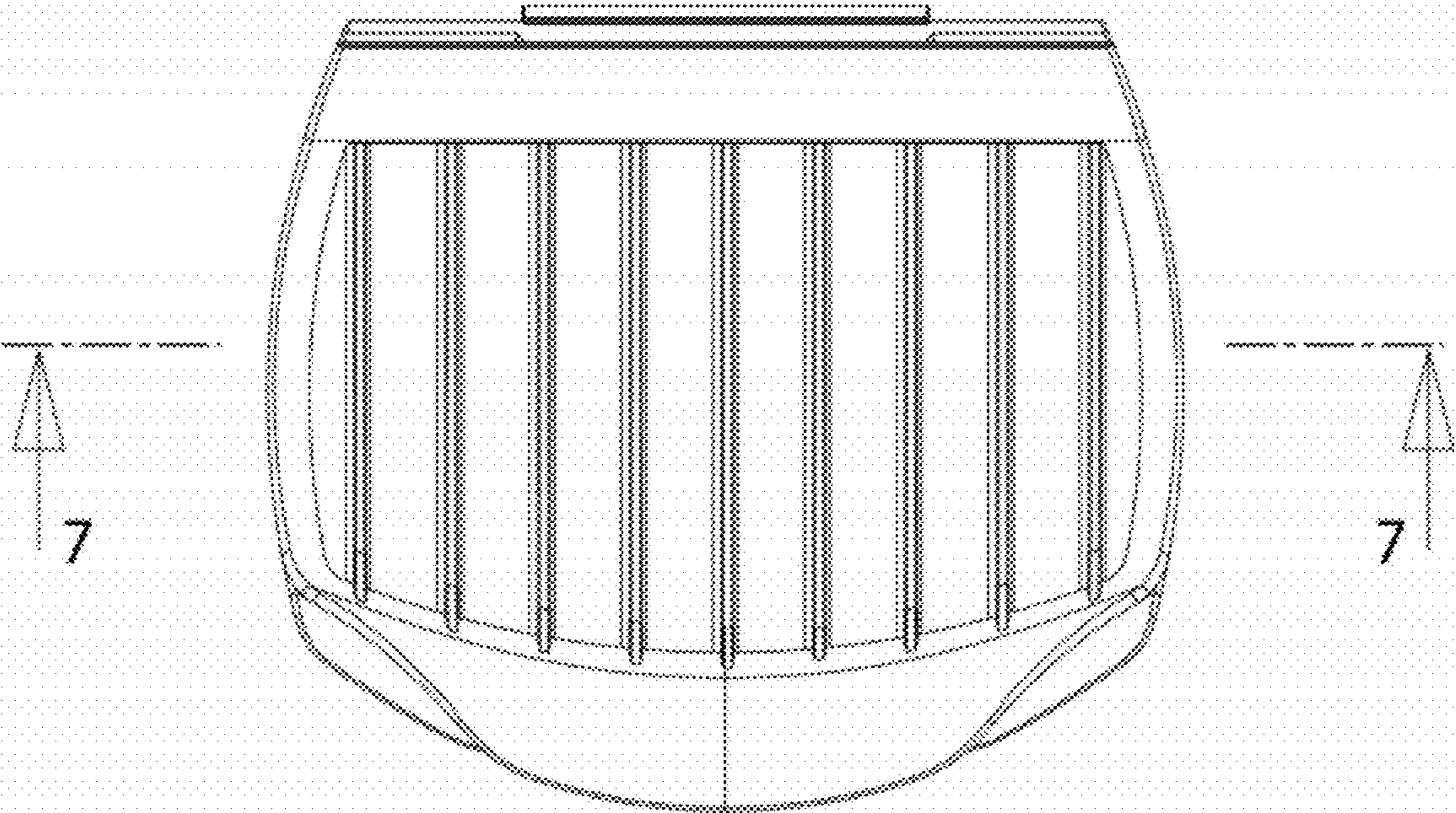


FIG 1

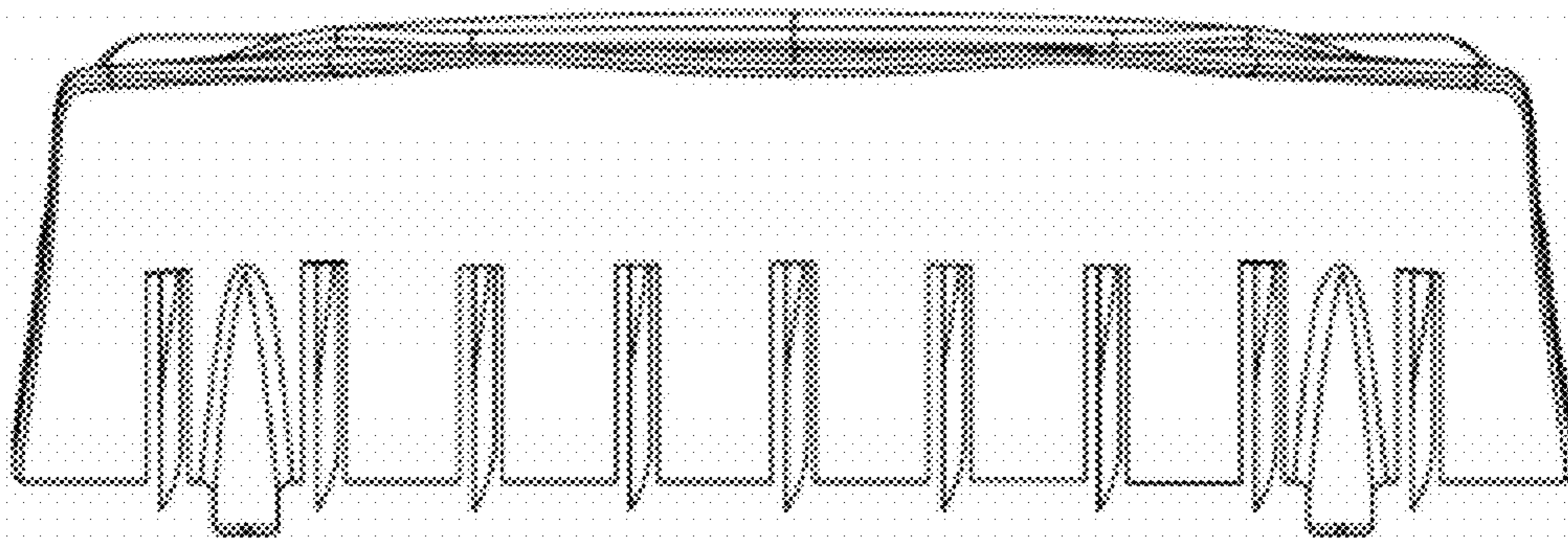


FIG 2



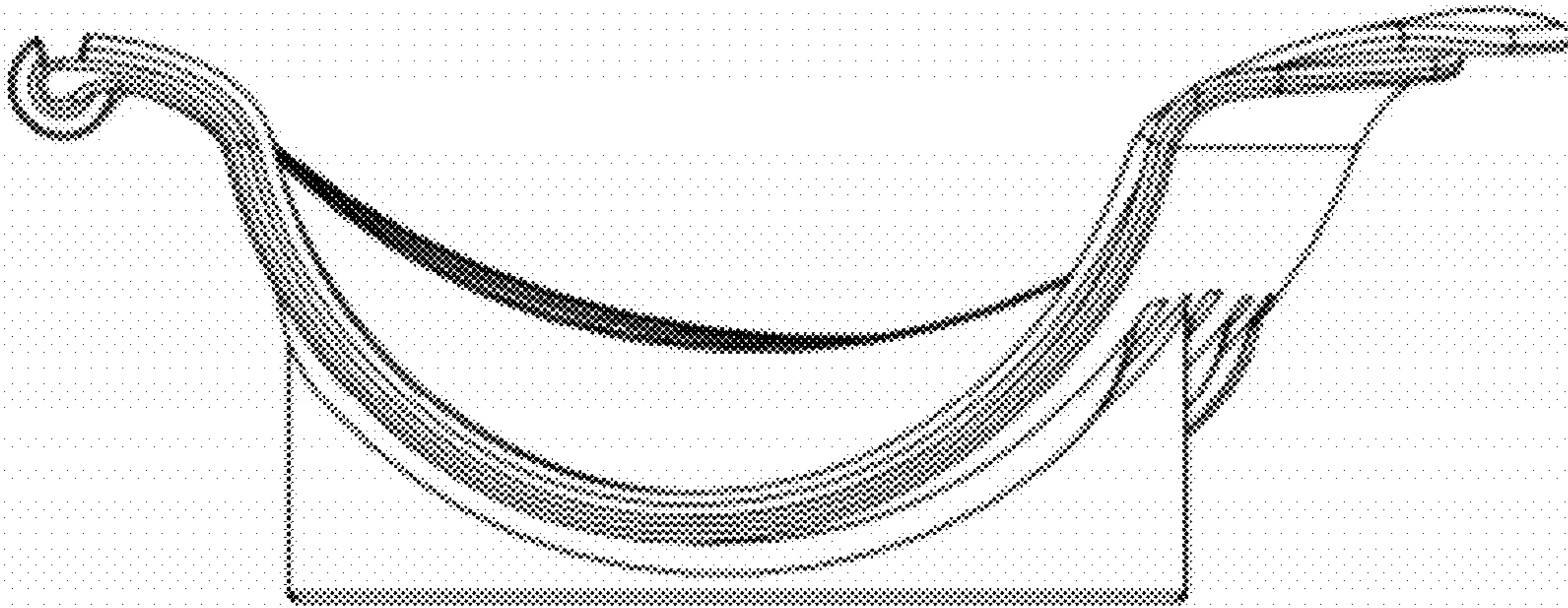


FIG 3

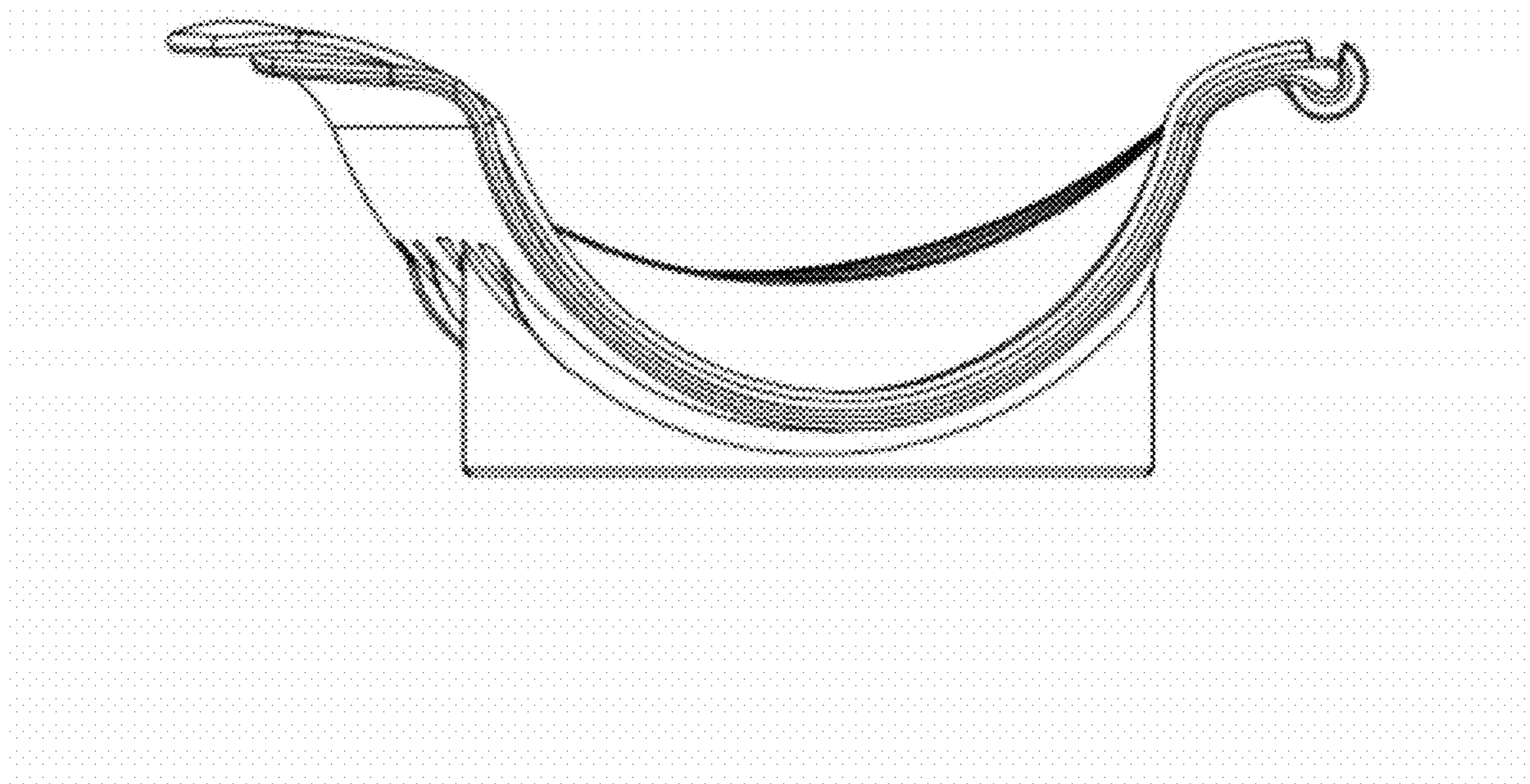


FIG 4

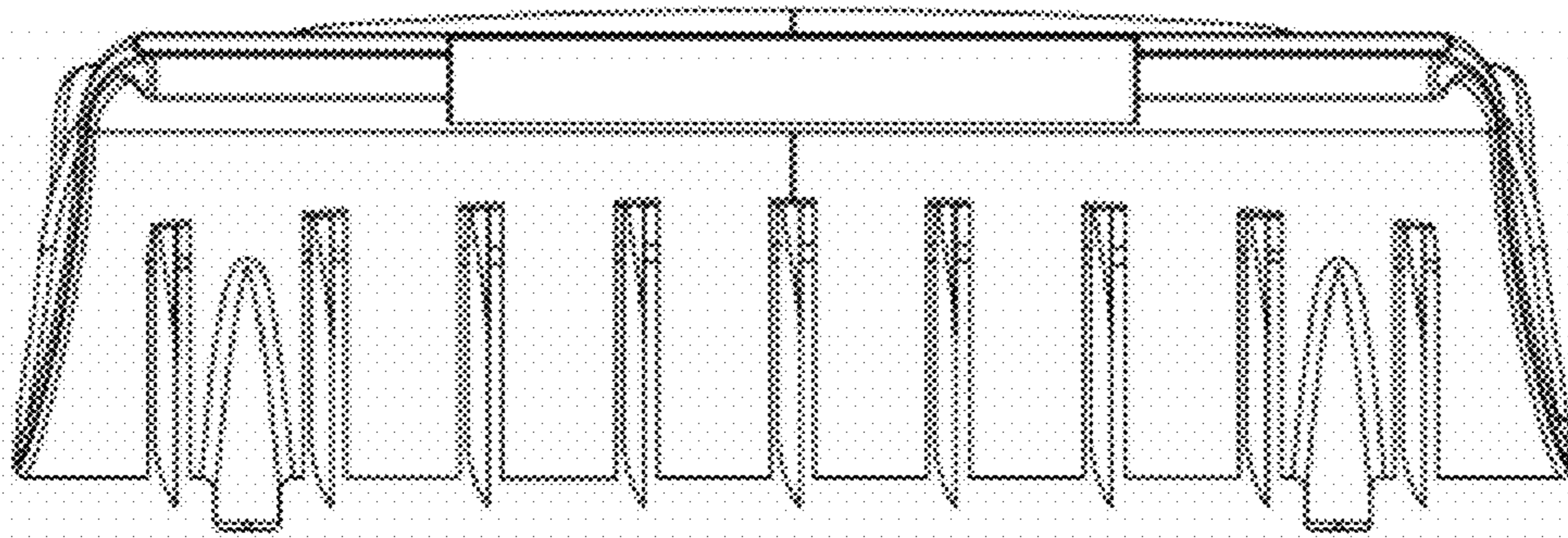


FIG 5



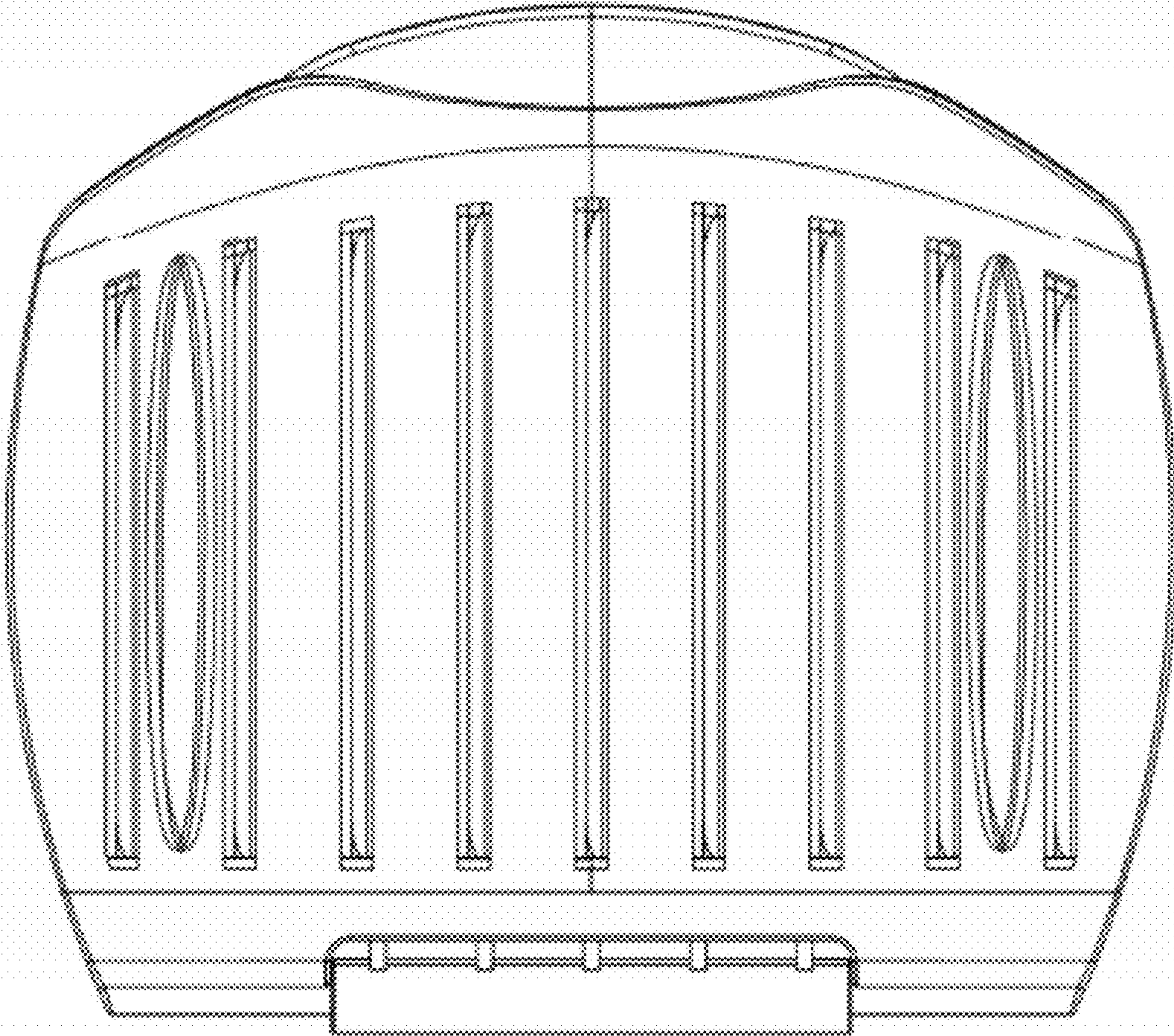


FIG 6

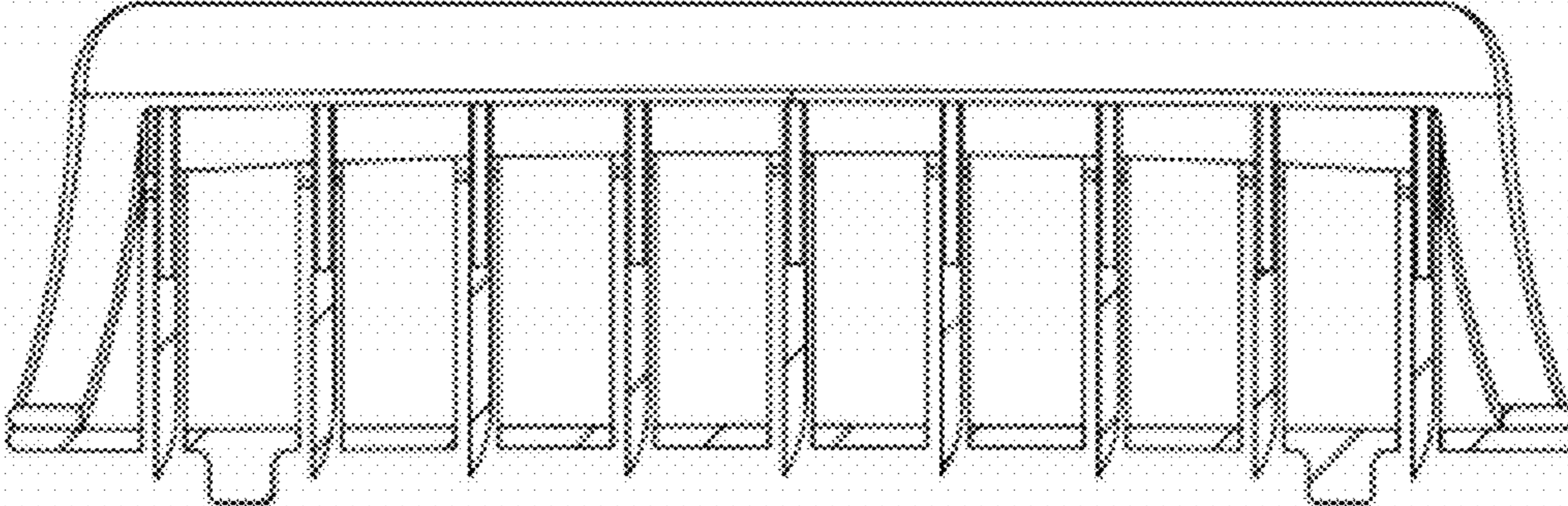


FIG 7



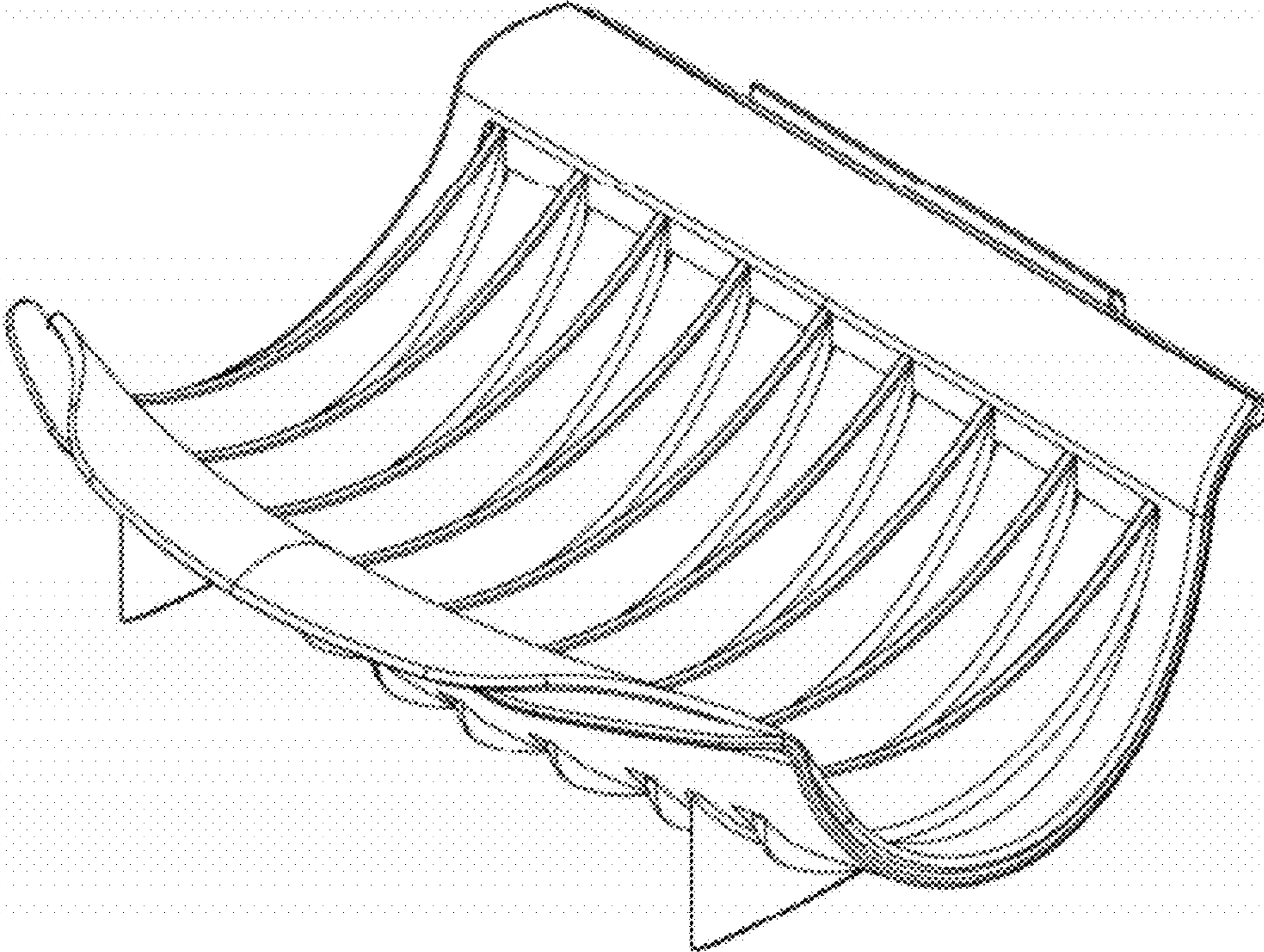


FIG 8

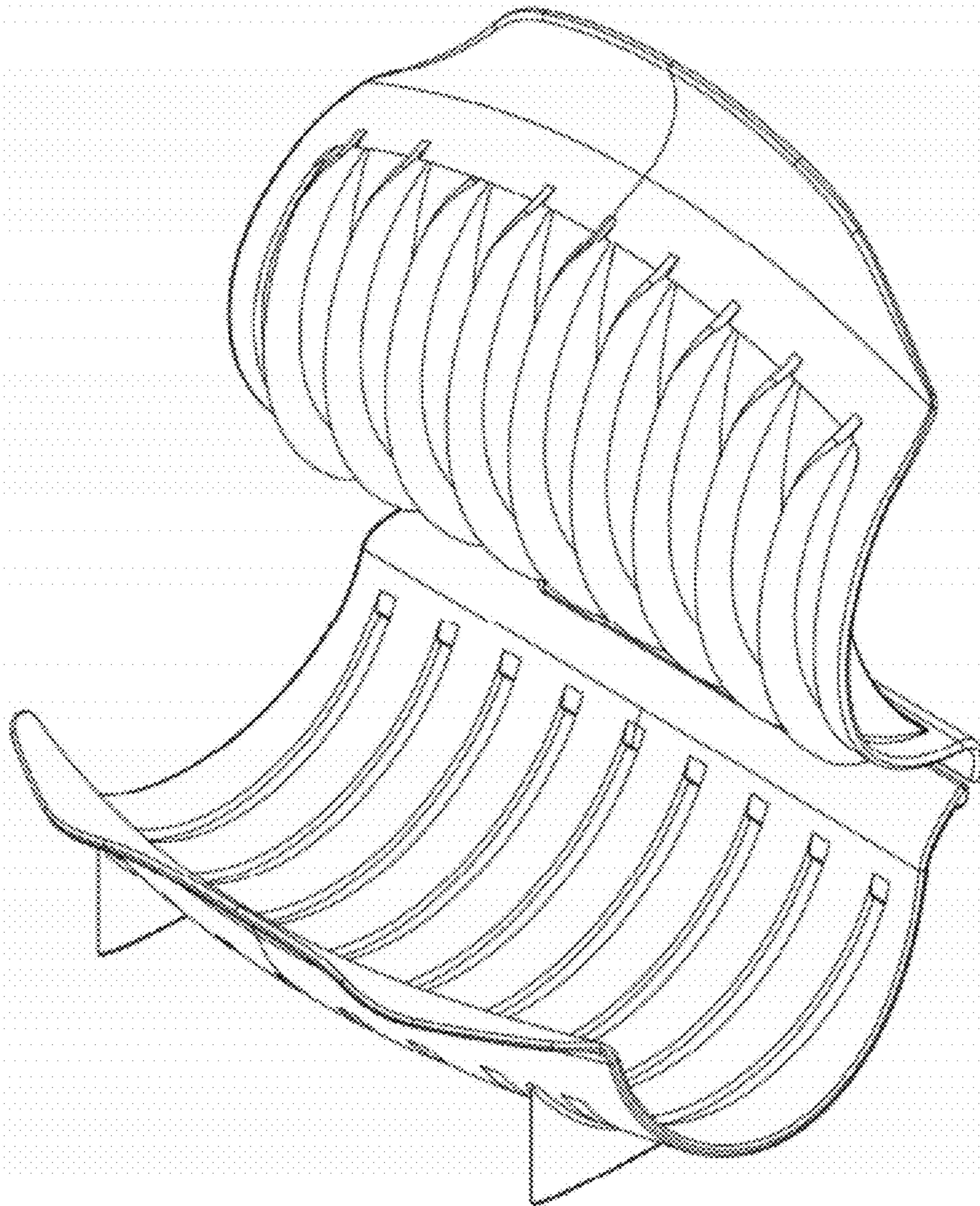


FIG 9