



US00D664010S

(12) **United States Design Patent**
Goode et al.

(10) **Patent No.:** **US D664,010 S**
(45) **Date of Patent:** **** Jul. 24, 2012**

(54) **6 TIER CENTER SUPPORT CAKE STAND**
(75) Inventors: **Stephanie Goode**, Woodridge, IL (US);
Hugh Melling, Woodridge, IL (US);
Jeffrey Bull, Woodridge, IL (US)

(73) Assignee: **Wilton Industries, Inc.**, Woodridge, IL (US)

(**) Term: **14 Years**

(21) Appl. No.: **29/358,418**

(22) Filed: **Mar. 26, 2010**

(51) **LOC (9) Cl.** **07-07**

(52) **U.S. Cl.** **D7/610**

(58) **Field of Classification Search** D7/500,
D7/501, 550.1, 554.2, 554.4, 558, 586, 601,
D7/602, 610, 387, 388; 211/41.1, 41.2, 41.7,
211/175; 248/127, 128, 130, 146, 172; 220/574,
220/62.11, 62.13

See application file for complete search history.

(56) **References Cited**

U.S. PATENT DOCUMENTS

197,931	A *	12/1877	Haight	108/94
1,570,651	A *	1/1926	Topping et al.	108/94
1,831,885	A *	11/1931	Rogers	132/314
2,902,174	A *	9/1959	Audsley	108/101
3,115,253	A *	12/1963	Malbin et al.	211/128.1
D200,117	S *	1/1965	Kolarik	D7/590
3,169,496	A *	2/1965	Muggli et al.	108/94
3,814,032	A *	6/1974	McMains	108/101
3,912,249	A *	10/1975	Vaca	269/54.5
3,951,079	A *	4/1976	Tolleson	108/94
D247,557	S *	3/1978	Hemmy	D11/184
D288,878	S *	3/1987	Munson	D6/455
4,847,461	A *	7/1989	Gilmore	219/732
D318,399	S *	7/1991	DeAre	D7/610

D328,408	S *	8/1992	De Are	D7/610
5,165,637	A *	11/1992	Polley et al.	248/188.4
D357,160	S *	4/1995	Fritze	D6/474
D362,787	S *	10/1995	Burke	D7/552.2
D373,708	S *	9/1996	Hamilton et al.	D7/552.2
5,617,798	A *	4/1997	Lytell	108/147.19
D380,350	S *	7/1997	Tortorella et al.	D7/558
D413,046	S *	8/1999	Fritze	D7/610
6,367,759	B1 *	4/2002	Simon	248/425
6,386,498	B1 *	5/2002	Deco	248/346.01
D461,026	S *	7/2002	Mason	D30/160
D490,657	S *	6/2004	McDonald	D7/610
7,287,870	B1 *	10/2007	Knoch	362/97.1
D558,526	S *	1/2008	Molina	D7/552.2
D577,962	S *	10/2008	Bauer et al.	D7/558
D614,002	S *	4/2010	Heap	D7/610

* cited by examiner

Primary Examiner — Elizabeth J Oswecki

(74) *Attorney, Agent, or Firm* — Foley & Lardner LLP

(57) **CLAIM**

We claim the ornamental design for a 6 tier center support cake stand, as shown and described.

DESCRIPTION

FIG. 1 is a front perspective view of a 6 tier center support cake stand showing our new design;

FIG. 2 is a left side view thereof;

FIG. 3 is a right side view thereof;

FIG. 4 is a front view thereof;

FIG. 5 is a bottom view thereof; and,

FIG. 6 is a top view thereof.

The subject matter shown in dashed lines, and any surfaces of the design not shown, including interior surfaces, form no part of the claimed invention.

The pole is shown broken away in FIGS. 1-4 to indicate that no particular length is claimed.

1 Claim, 6 Drawing Sheets

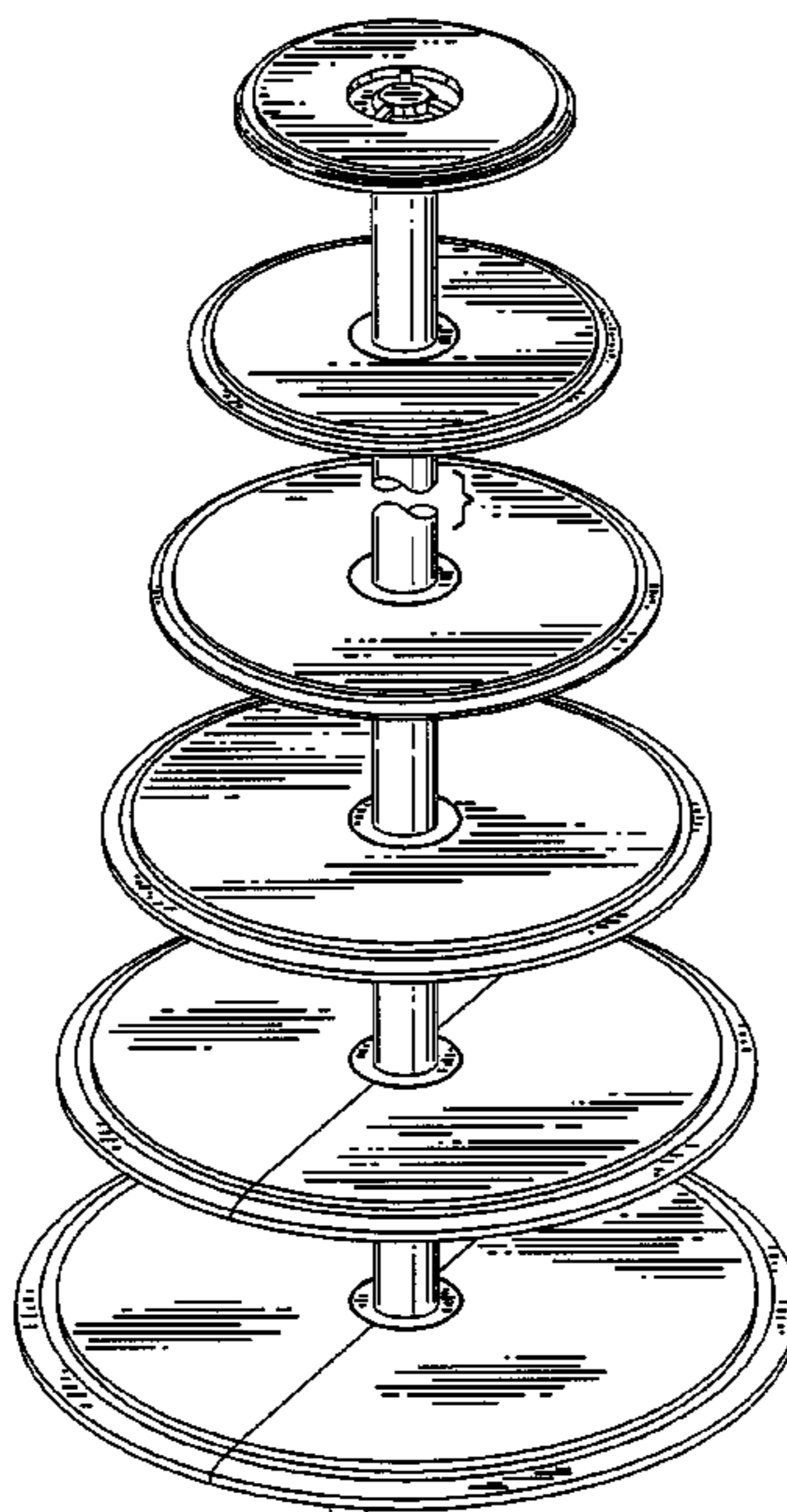


FIG. 1

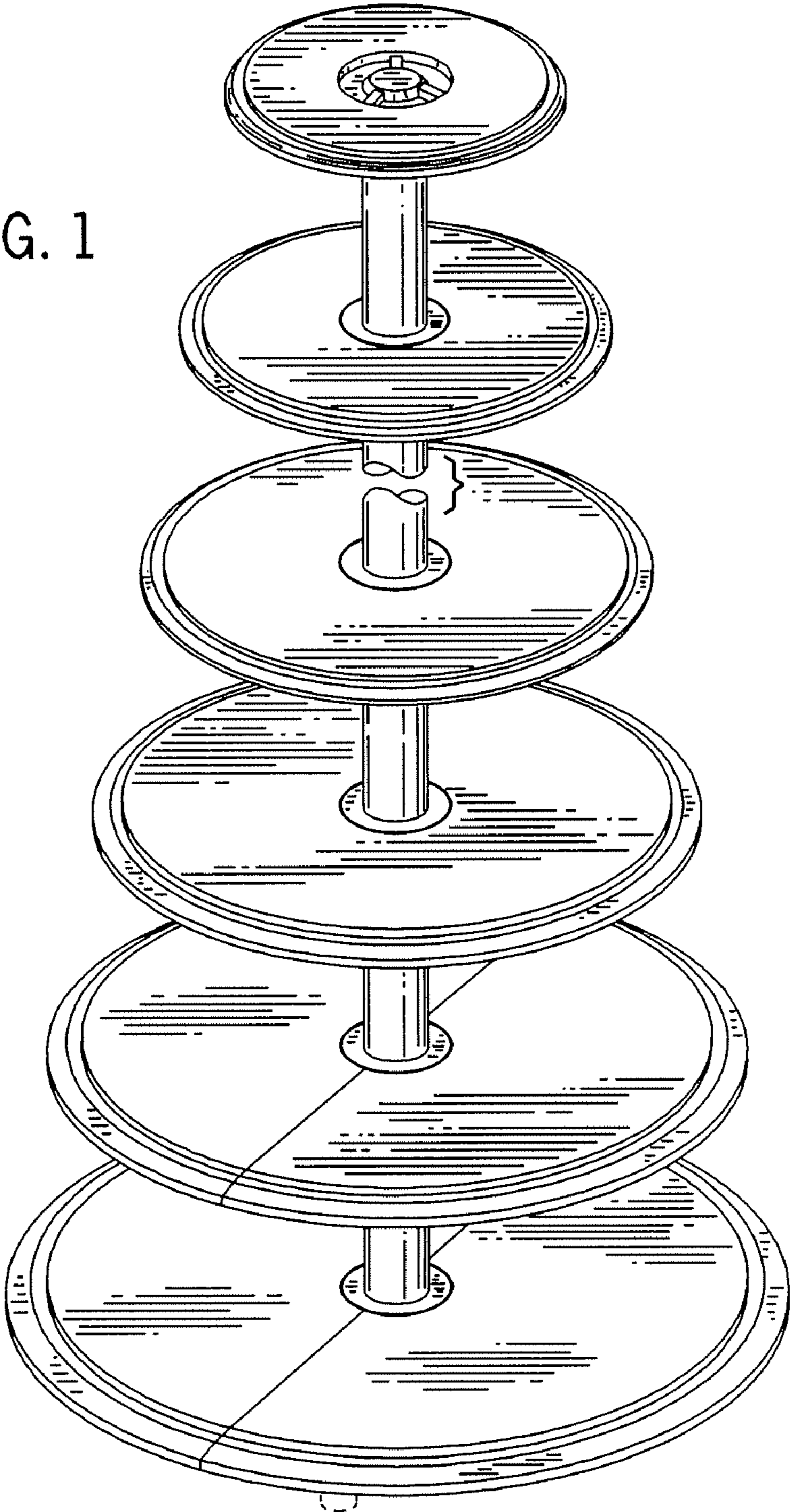


FIG. 2

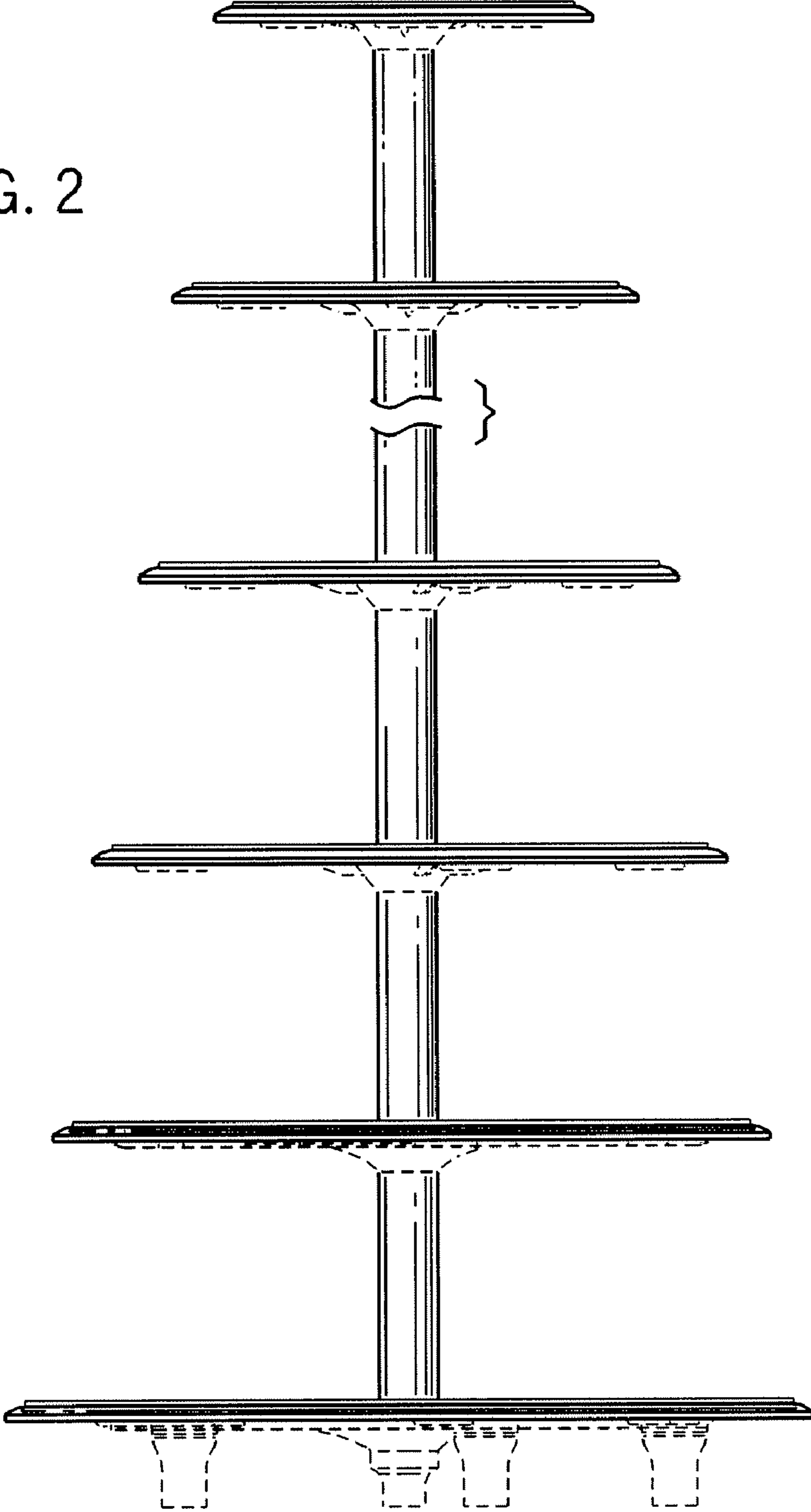


FIG. 3

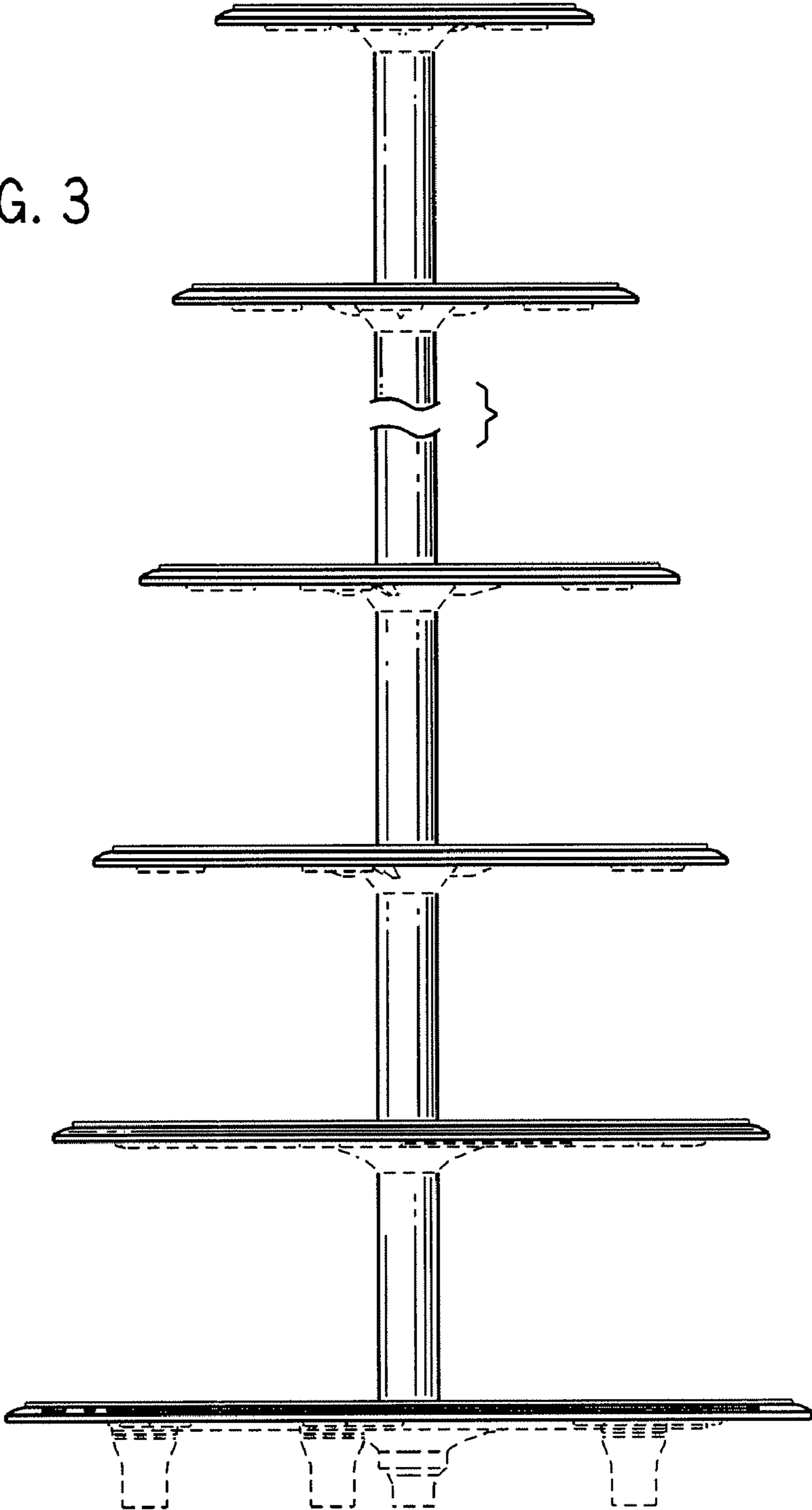
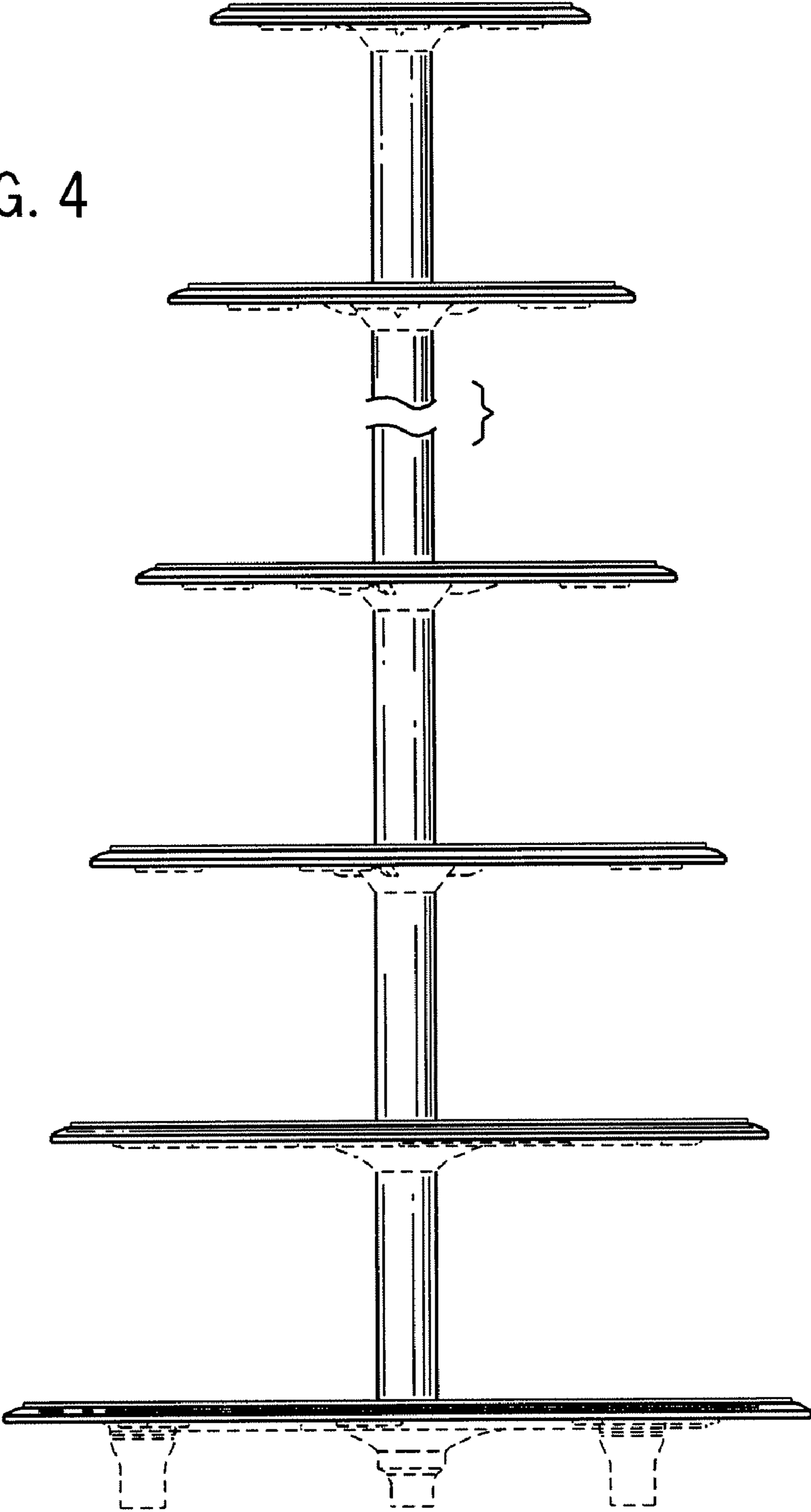


FIG. 4



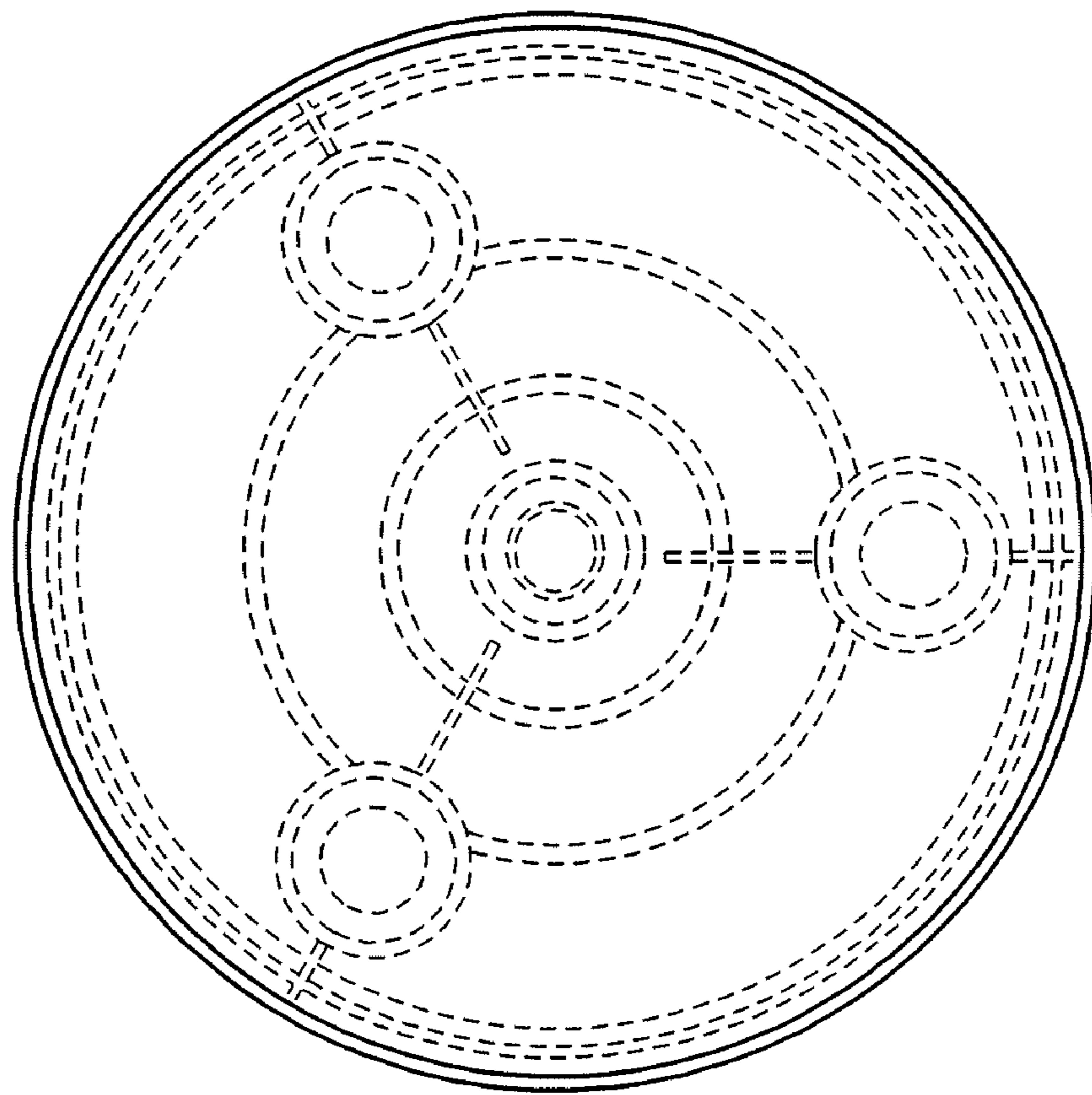


FIG. 5

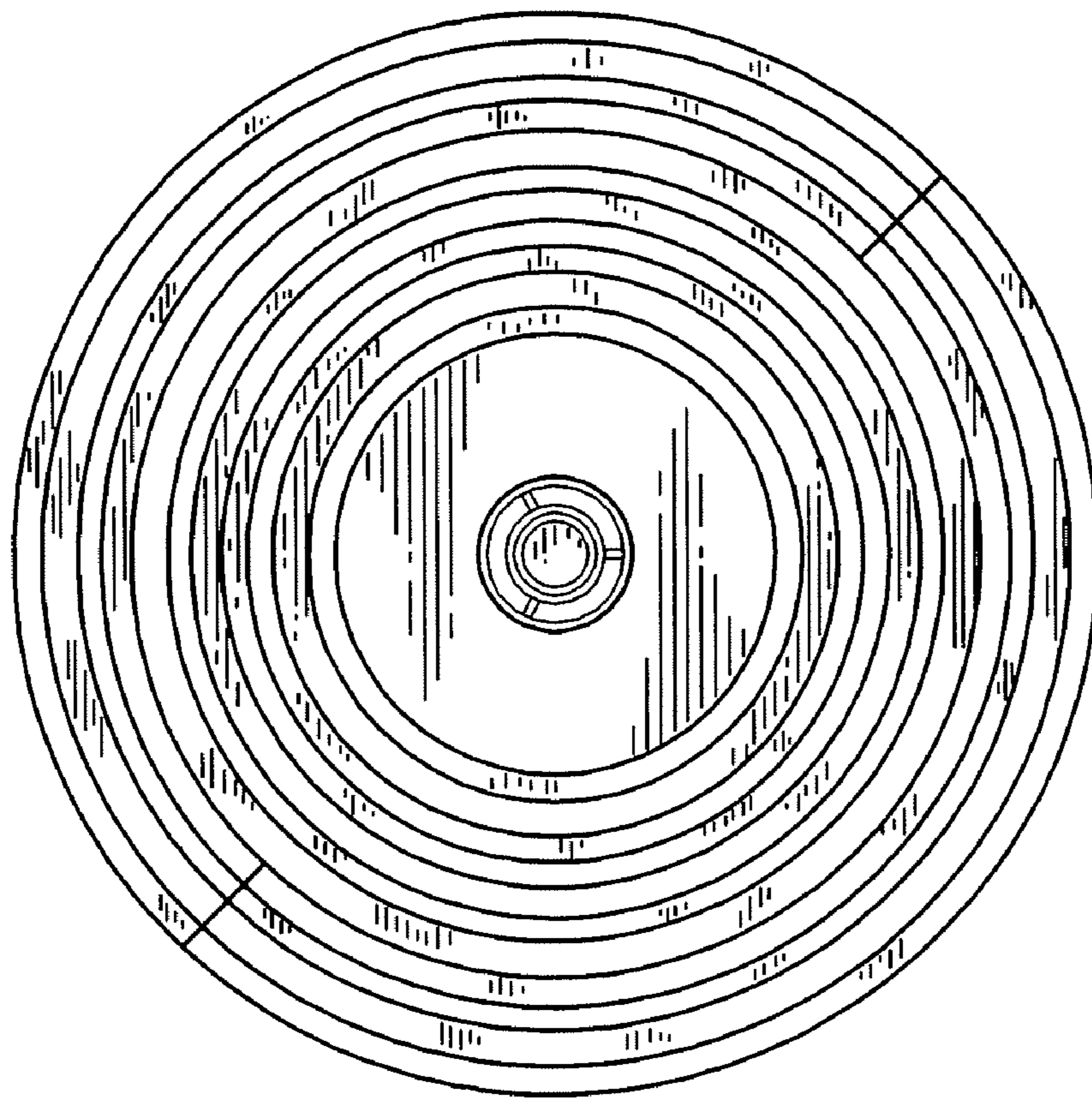


FIG. 6