

US00D664008S

(12) **United States Design Patent**
Welch

(10) **Patent No.:** **US D664,008 S**

(45) **Date of Patent:** **** Jul. 24, 2012**

(54) **BEVERAGE CONTAINER INSULATOR**

Primary Examiner — Terry Wallace

(76) **Inventor:** **James Douglas Welch**, Austin, TX (US)

(74) *Attorney, Agent, or Firm* — David O. Simmons

(**) **Term:** **14 Years**

(57) **CLAIM**

The ornamental design for a beverage container insulator, as shown and described.

(21) **Appl. No.:** **29/374,732**

(22) **Filed:** **Sep. 27, 2011**

DESCRIPTION

(51) **LOC (9) Cl.** **07-01**

(52) **U.S. Cl.** **D7/606; D7/607**

(58) **Field of Classification Search** D7/603–608,
D7/619.1–625; 62/457.1–457.9, 529, 530;
248/311.2, 309.1; 220/592.17, 592.24, 737–739,
220/903, 902, 592.16, 592.2; 215/12.1, 12.2,
215/13.1, 396, 398; 383/6, 7, 10, 2, 95, 109,
383/110

See application file for complete search history.

FIG. 1 is a frontal perspective view of a beverage container insulator in accordance with the present invention, wherein a portion shown in dotted lines being disclaimed from the design;

FIG. 2 is a frontal perspective view of the beverage container insulator of FIG. 1 in a partially flattened configuration;

FIG. 3 is a front view of the beverage container insulator as shown in FIG. 2;

FIG. 4 is a rear view of the beverage container insulator as shown in FIG. 2;

FIG. 5 is a left side view of the beverage container insulator, wherein a right side view is a mirror image of the left side view;

FIG. 6 is a top view of the beverage container insulator as shown in FIG. 2; and,

FIG. 7 is a bottom view of the beverage container holder as shown in FIG. 2.

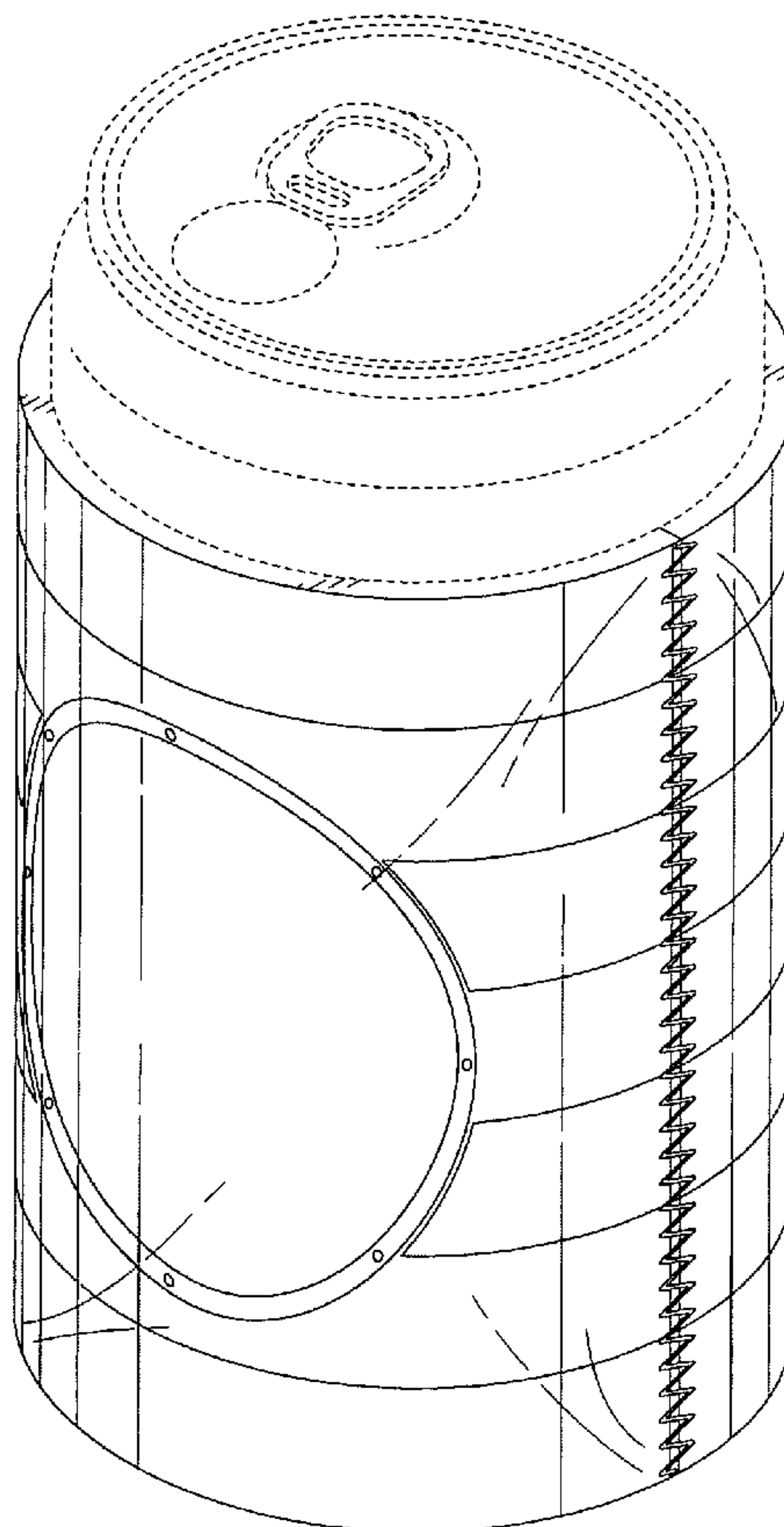
(56) **References Cited**

U.S. PATENT DOCUMENTS

4,282,279	A *	8/1981	Strickland	220/903
D304,538	S *	11/1989	Byrns	D7/608
7,121,111	B2 *	10/2006	Wilson et al.	62/457.4
D590,212	S *	4/2009	Mancha et al.	D7/624.2
D601,862	S *	10/2009	Welch	D7/624.2
2009/0294463	A1 *	12/2009	Stack	220/739

* cited by examiner

1 Claim, 5 Drawing Sheets



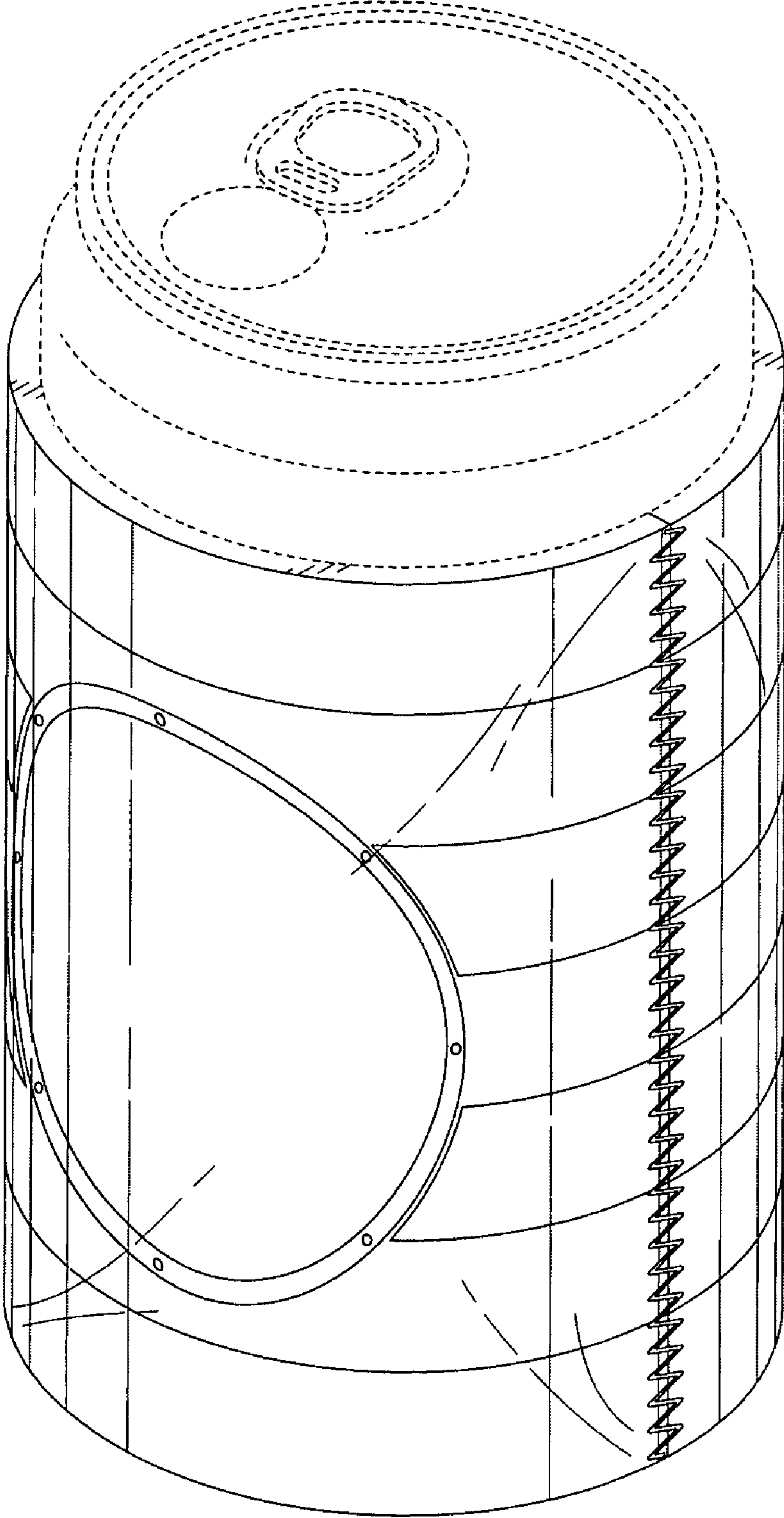


Fig. 1

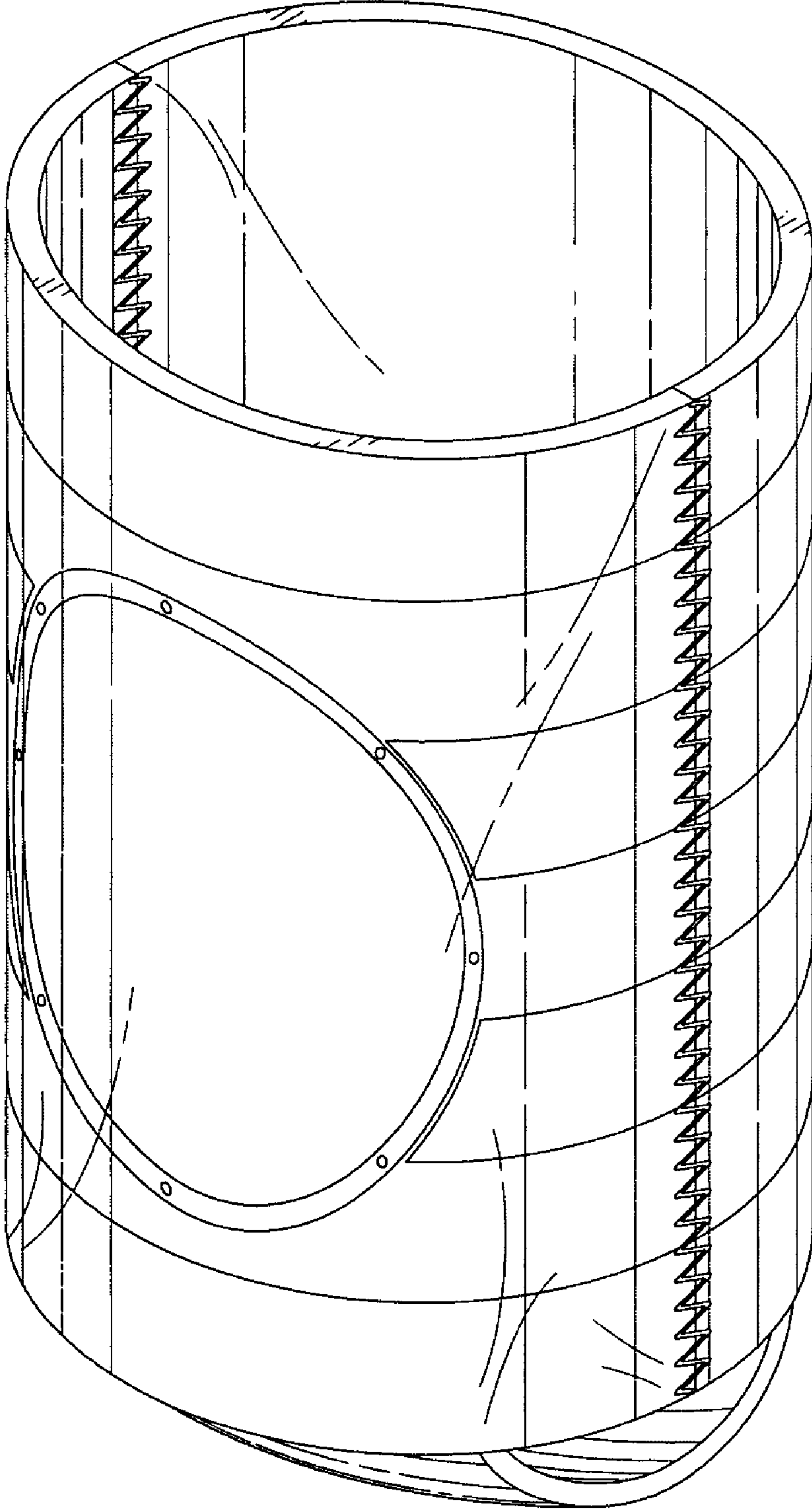


Fig. 2

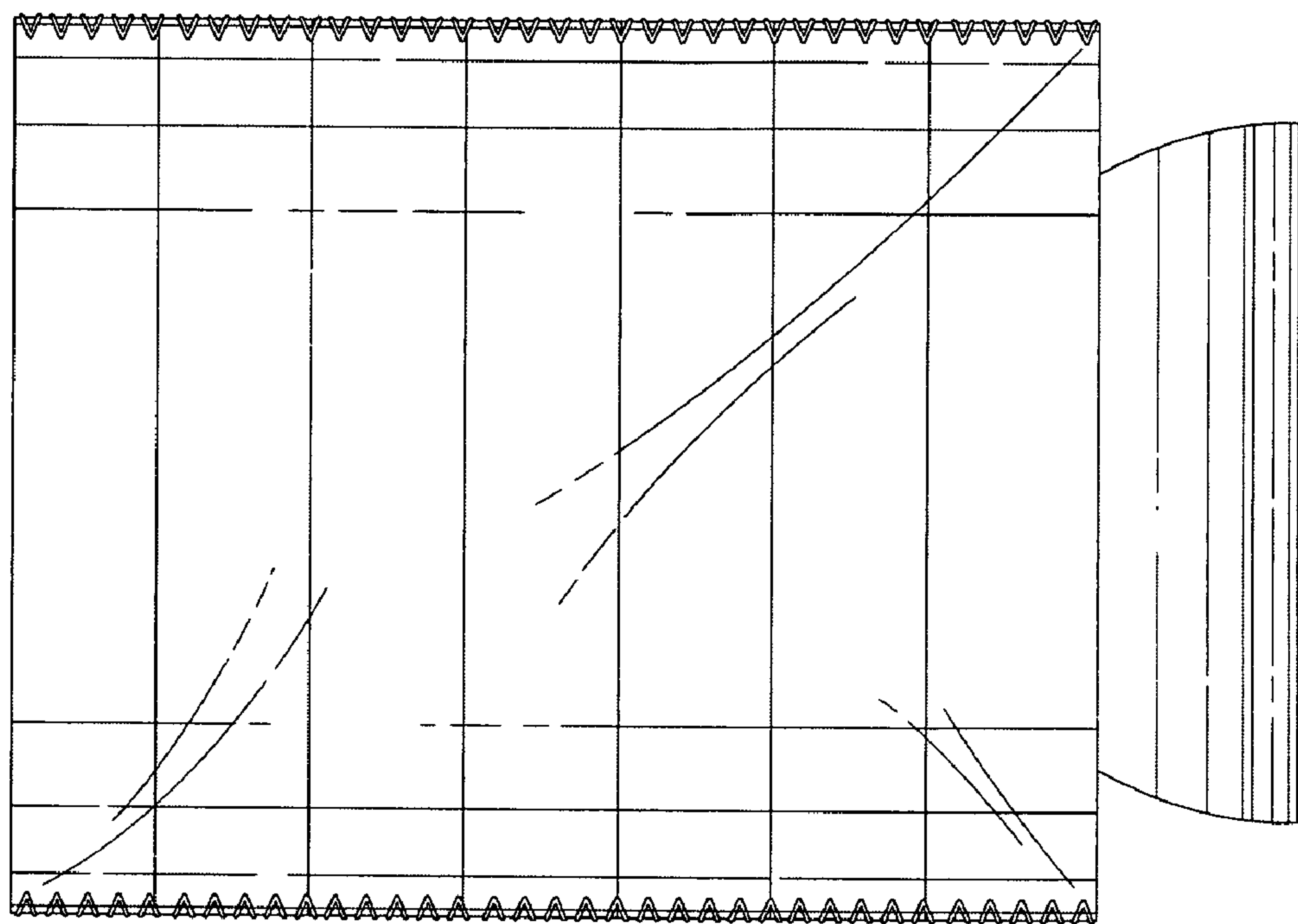


Fig. 4

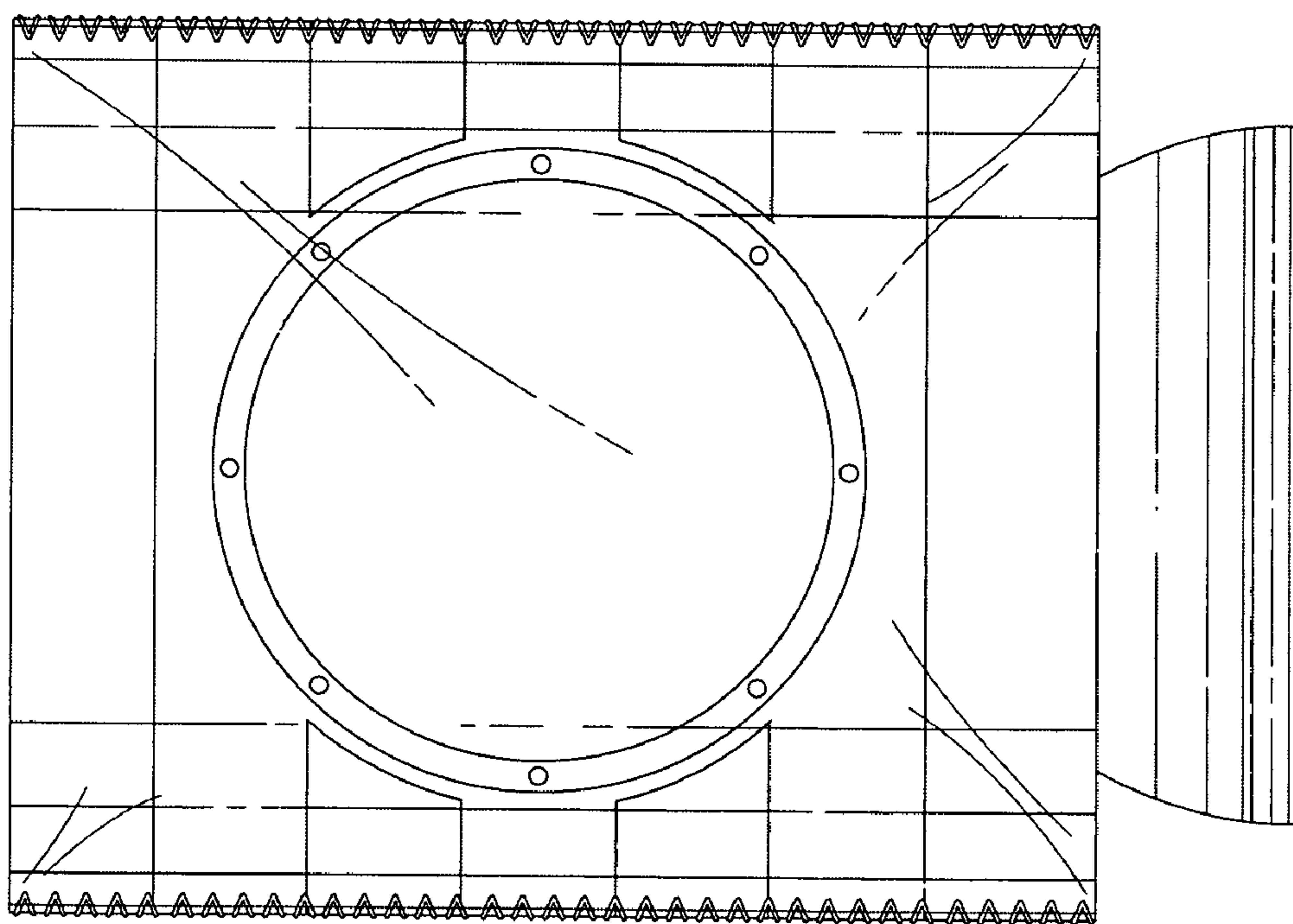


Fig. 3

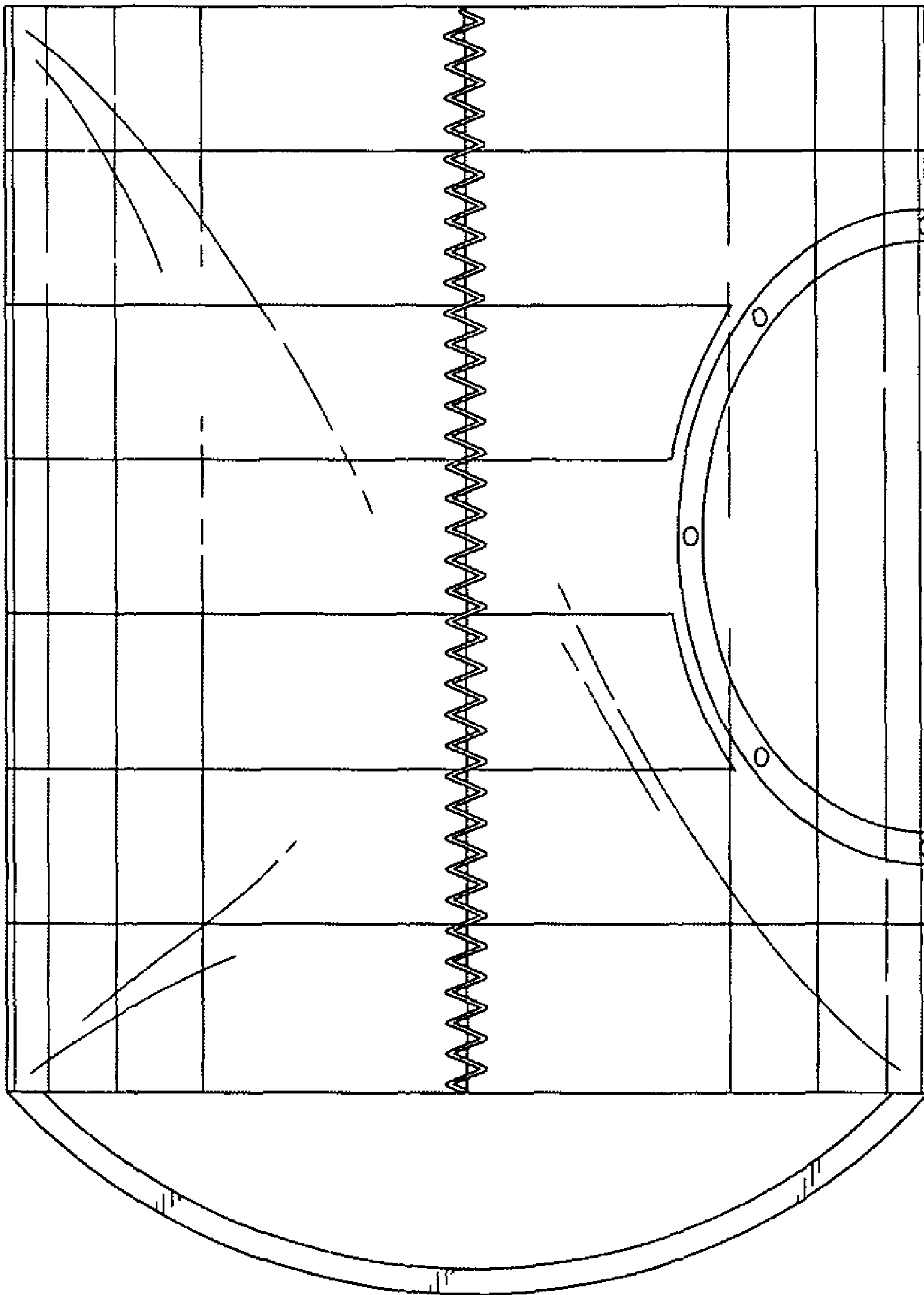


Fig. 5

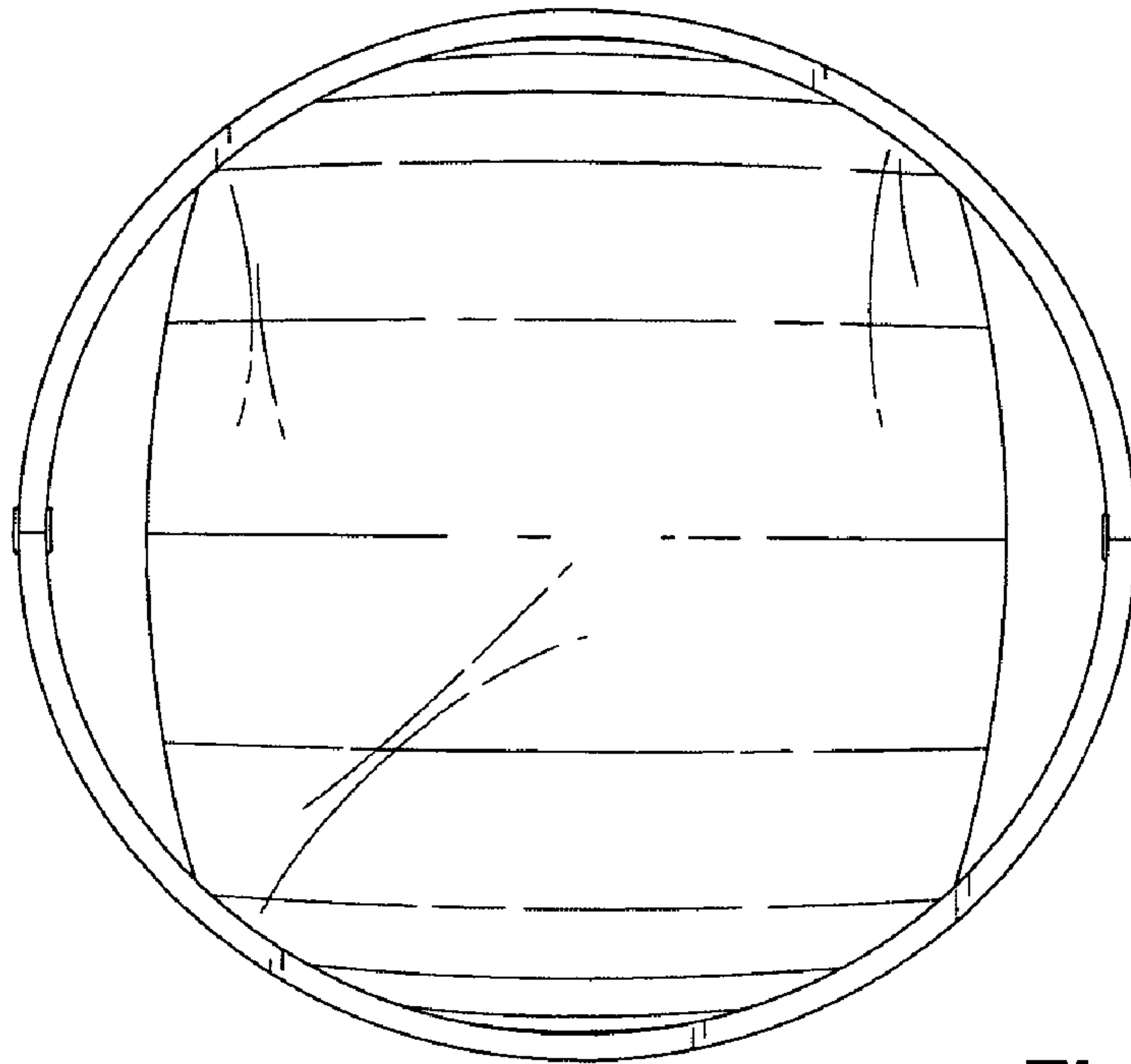


Fig. 6

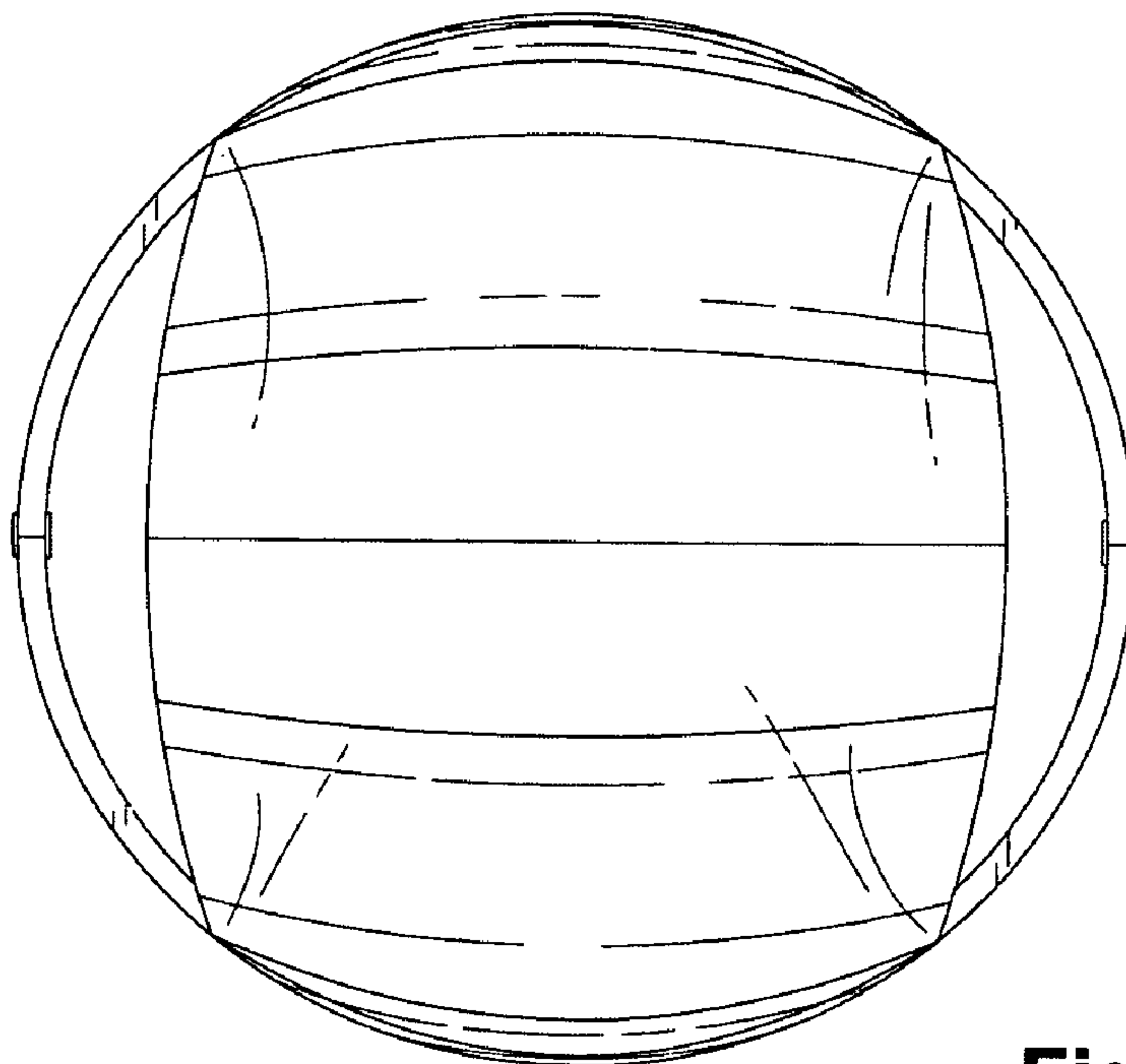


Fig. 7