



US00D664005S

(12) **United States Design Patent**
Seehoff et al.

(10) **Patent No.:** **US D664,005 S**
(45) **Date of Patent:** **** Jul. 24, 2012**

(54) **COMPARTMENTED PLATE**

(75) Inventors: **Gary Stanley Seehoff**, Encino, CA (US); **Christopher Anzalone**, Foothill Ranch, CA (US); **Huy Kha Nguyen**, Garden Grove, CA (US)

(73) Assignee: **Evriholder Products, LLC**, Anaheim, CA (US)

(**) Term: **14 Years**

(21) Appl. No.: **29/367,902**

(22) Filed: **Aug. 14, 2010**

(51) **LOC (9) Cl.** **07-01**

(52) **U.S. Cl.** **D7/553.1; D7/555; D7/587**

(58) **Field of Classification Search** D7/541, D7/538, 629, 601, 505, 500, 587, 586, 506, D7/555, 546, 548, 553.1, 545, 610, 566, 570, D7/543, 620, 552.1, 354, 584, 360, 361, 553.2; D9/414, 761, 307, 341, 342, 343, 344, 345, D9/346, 347, 348, 543, 432; 29/527.1; 220/574, 220/575, 751, 23.4; 264/553; 206/575; D30/127
See application file for complete search history.

(56) **References Cited**

U.S. PATENT DOCUMENTS

D9,661 S * 12/1876 Heuacker D7/555
D101,399 S * 9/1936 Rideout D7/544
D182,697 S * 4/1958 Warren D7/501

D185,614 S * 6/1959 Reading D7/326
D185,872 S * 8/1959 Forsman D7/555
3,430,803 A * 3/1969 Nelson 206/557
D222,668 S * 11/1971 Gregor D7/553.6
D230,243 S * 2/1974 Ottenstein D7/357
D238,739 S * 2/1976 Thomas D7/555
D258,710 S * 3/1981 Walker D7/557
D269,245 S * 6/1983 Fabjancic D7/326
5,222,622 A * 6/1993 Laske, Jr. 220/574.1
D439,018 S * 3/2001 Fang D28/77
D568,111 S * 5/2008 Epstein D7/553.7
D648,176 S * 11/2011 Filbrun D7/501

* cited by examiner

Primary Examiner — Cynthia Underwood

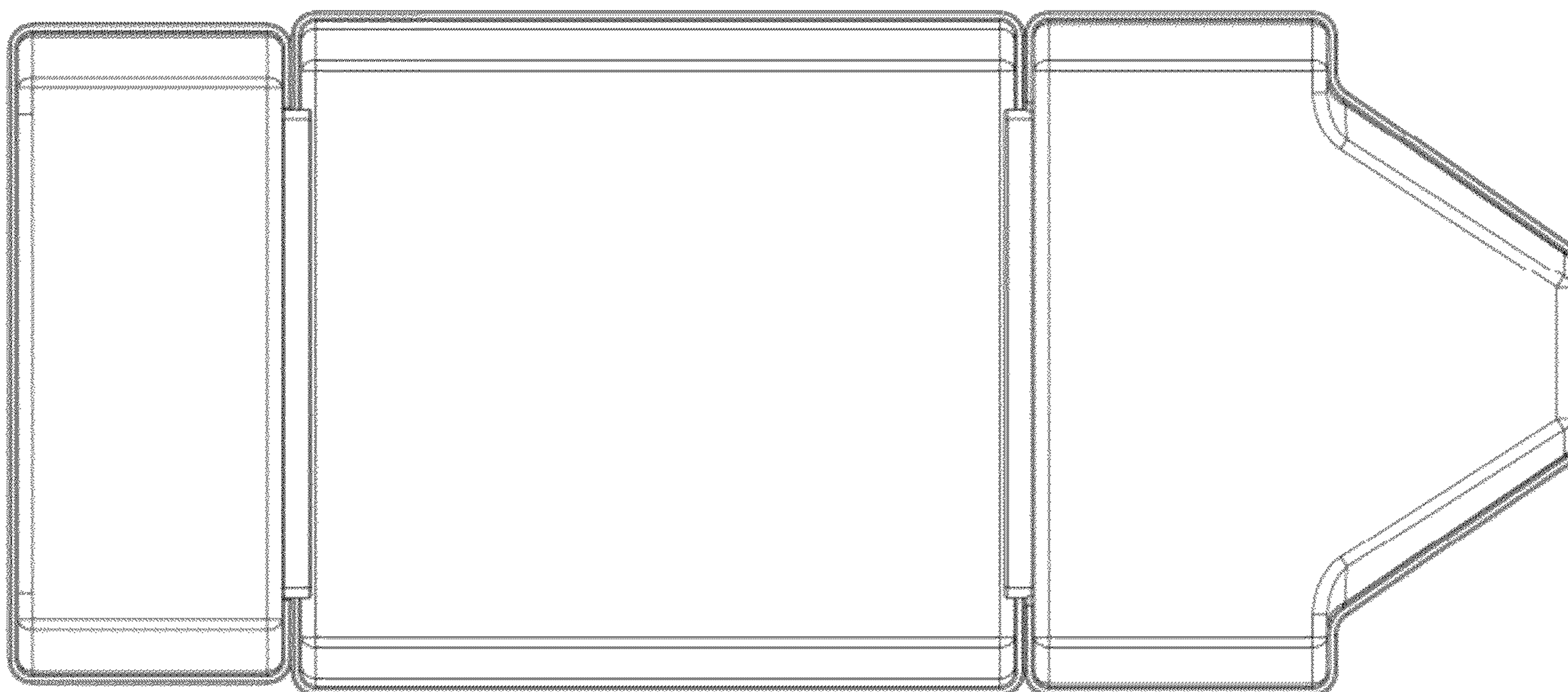
(57) **CLAIM**

The ornamental design for a compartmented plate, as shown and described.

DESCRIPTION

FIG. 1 illustrates a top view of the claimed design for a compartmented plate;
FIG. 2 illustrates a front view thereof;
FIG. 3 illustrates a left-side view thereof;
FIG. 4 illustrates a right-side view thereof;
FIG. 5 illustrates a rear view thereof;
FIG. 6 illustrates a bottom view thereof; and,
FIG. 7 illustrates a perspective view thereof.

1 Claim, 7 Drawing Sheets



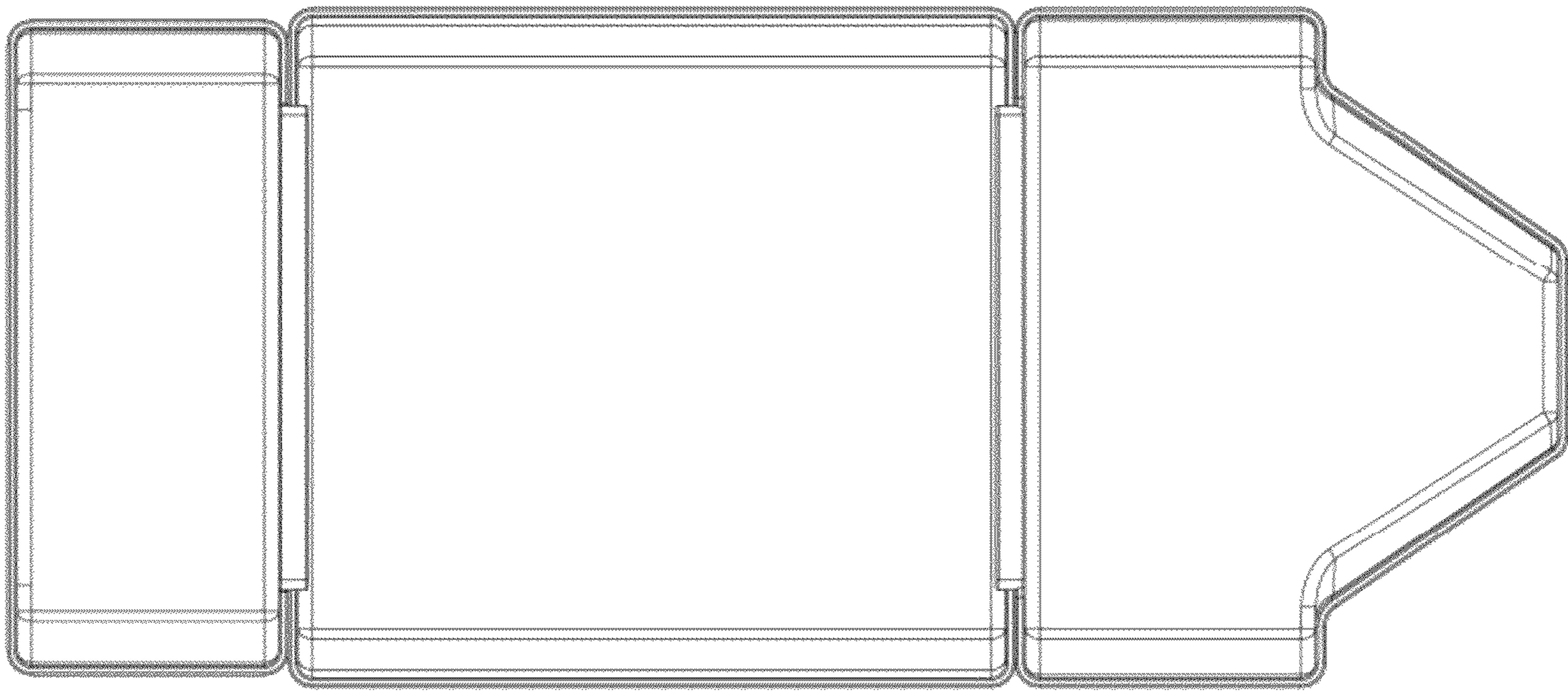


FIG 1

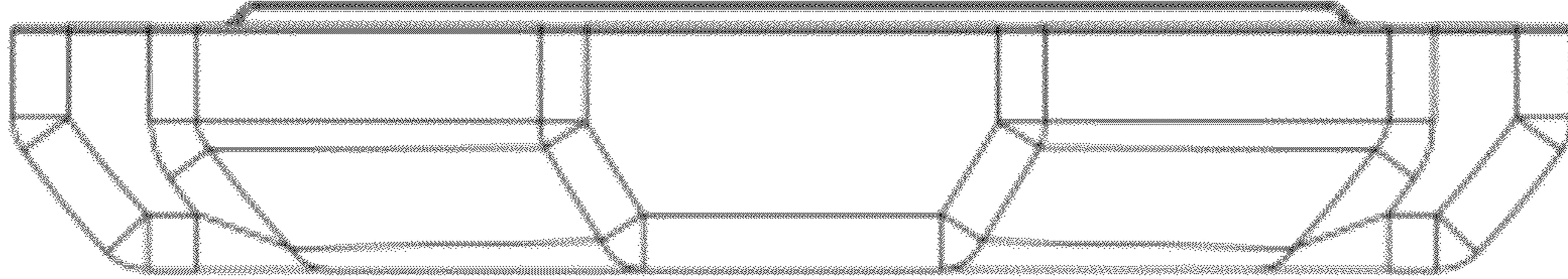


FIG 2



FIG 3



FIG 4

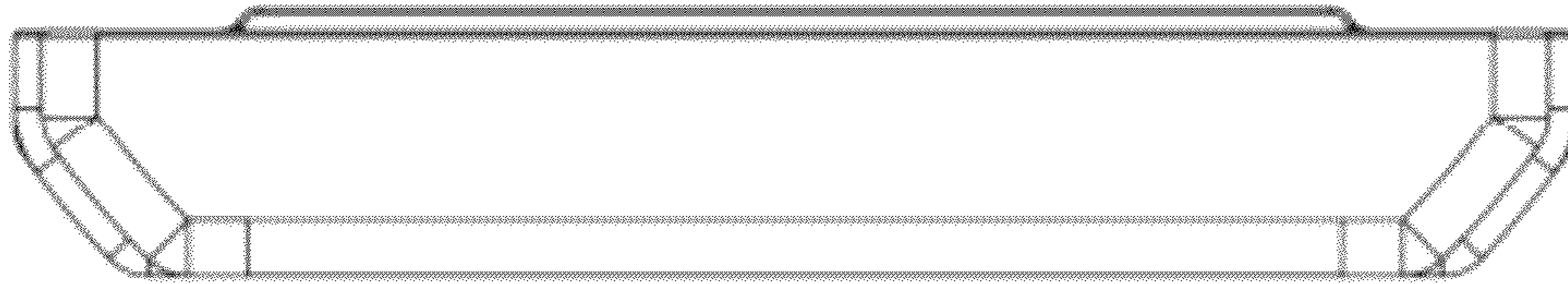


FIG 5

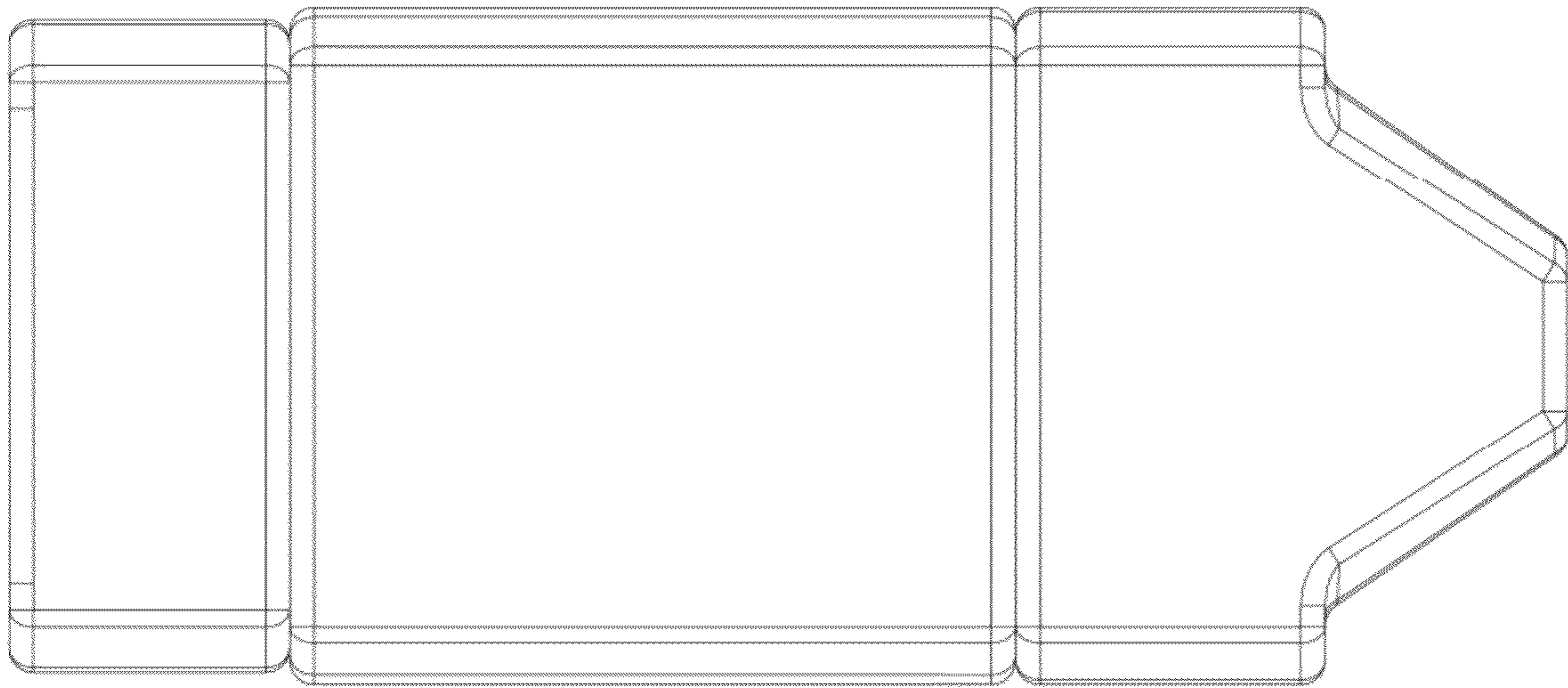


FIG 6

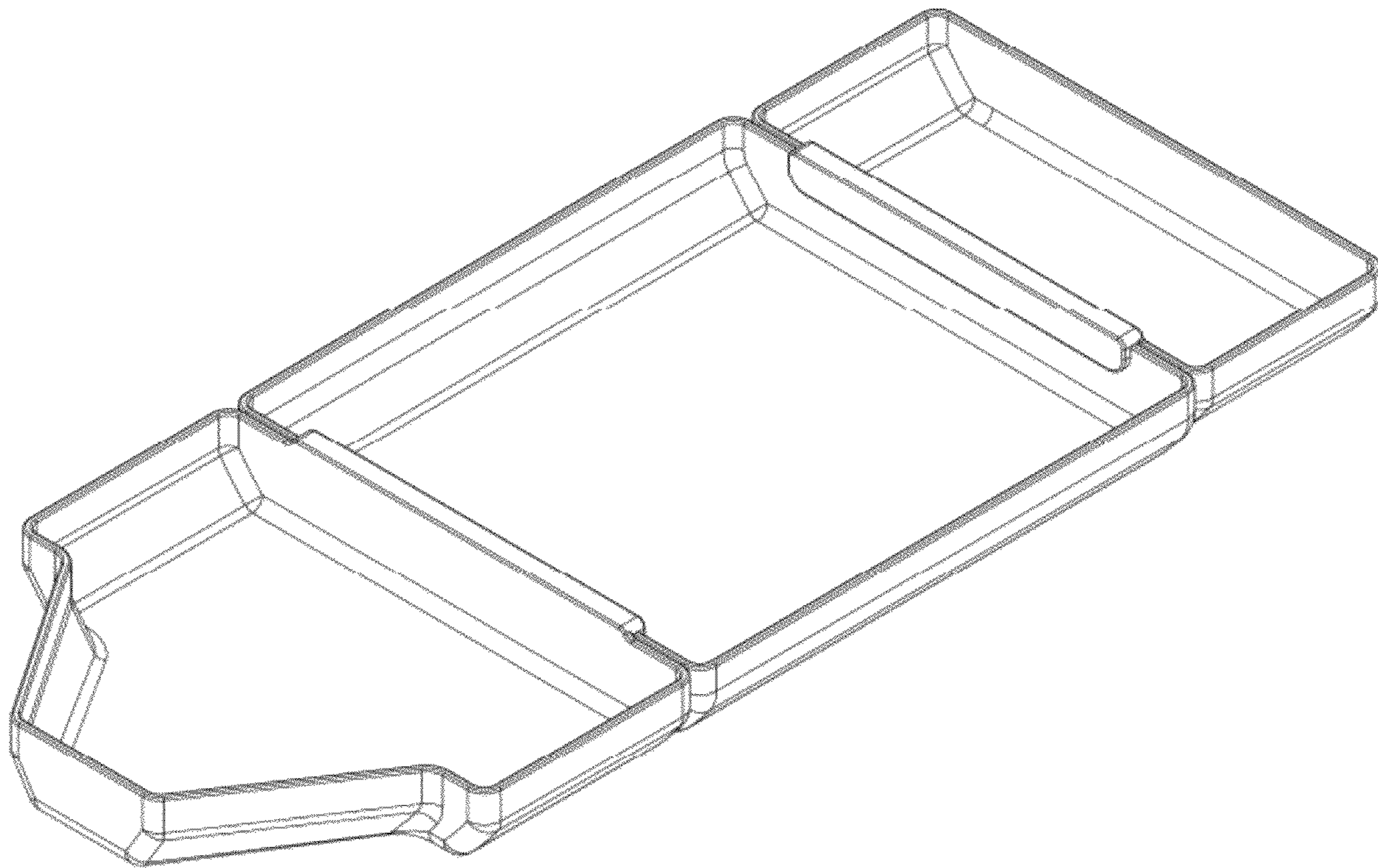


FIG 7