

US00D664003S

(12) **United States Design Patent**
Nagoya

(10) **Patent No.:** **US D664,003 S**
(45) **Date of Patent:** **** Jul. 24, 2012**

- (54) **FOLDABLE CONTAINER**
- (75) Inventor: **Yoshiki Nagoya**, Tokyo (JP)
- (73) Assignee: **Marna Corporation**, Tokyo (JP)
- (**) Term: **14 Years**
- (21) Appl. No.: **29/373,379**
- (22) Filed: **Apr. 1, 2011**
- (51) **LOC (9) Cl.** **07-01**
- (52) **U.S. Cl.** **D7/512; D7/400; D7/532**
- (58) **Field of Classification Search** D7/512,
D7/400, 509, 532; 220/8; 206/218
See application file for complete search history.

6,666,329	B1 *	12/2003	Charbonneau	206/218
6,736,285	B2 *	5/2004	Stewart-Stand	220/666
D544,303	S *	6/2007	Strepkoff	D7/512
D550,036	S *	9/2007	Holcomb et al.	D7/512
D580,799	S *	11/2008	Curtin	D10/46.2
D633,266	S *	2/2011	Tuan	D32/53
D642,433	S *	8/2011	Tuan	D7/400

* cited by examiner

Primary Examiner — Marianne Pandozzi
(74) *Attorney, Agent, or Firm* — Flynn, Thiel, Boutell & Tanis, P.C.

(57) **CLAIM**
The ornamental design for a foldable container, as shown and described.

(56) **References Cited**

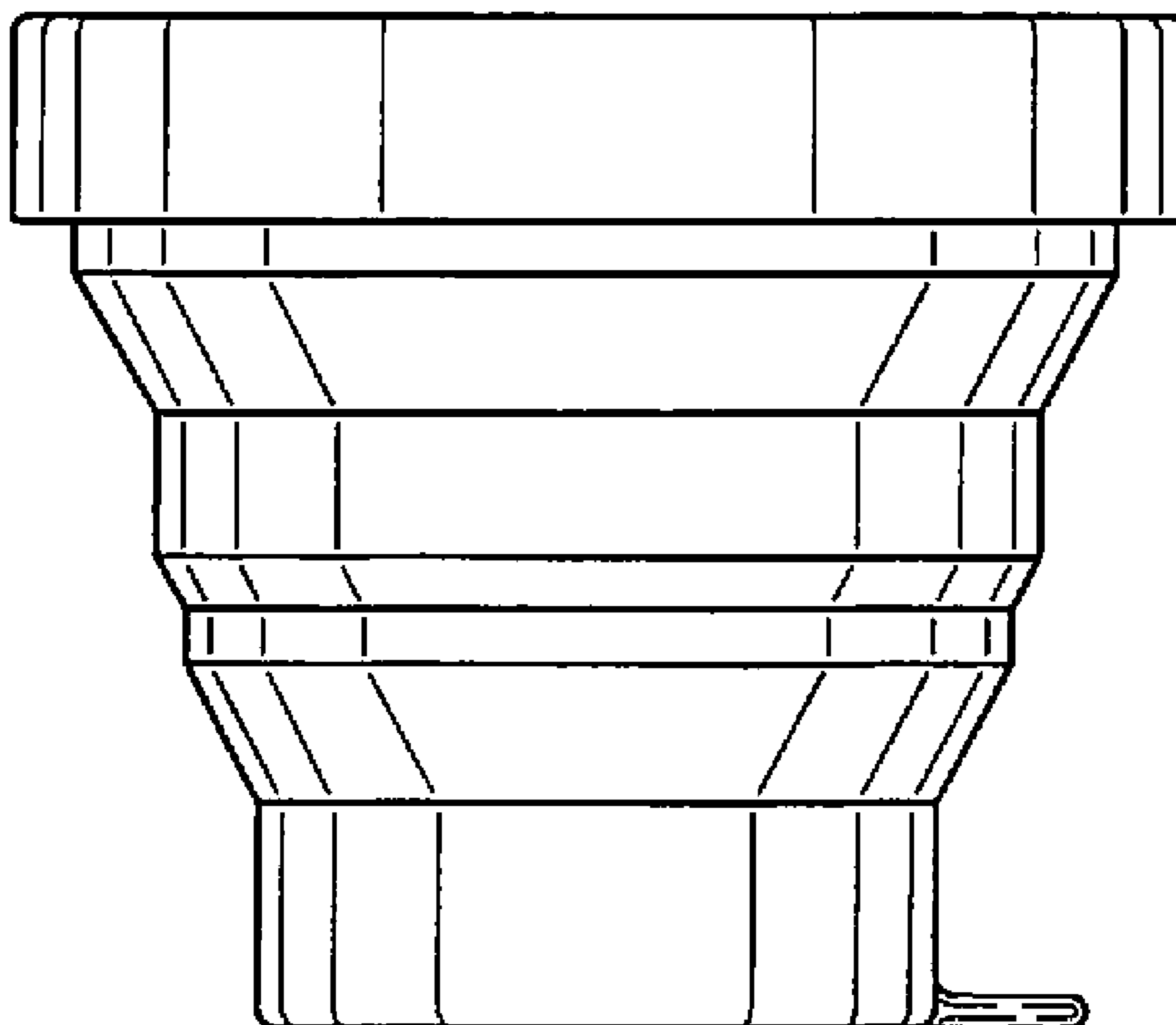
U.S. PATENT DOCUMENTS

879,753	A *	2/1908	Eckert	220/8
1,048,935	A *	12/1912	Brady	220/8
2,880,902	A *	4/1959	Owsen	220/8
3,220,544	A *	11/1965	Lovell	206/218
3,285,459	A *	11/1966	Gahm	220/8
3,490,290	A *	1/1970	Bilson	73/427
D219,474	S *	12/1970	Gahm	D7/512
D219,475	S *	12/1970	Gahm	D7/512
D220,203	S *	3/1971	Gahm	D7/512
D220,204	S *	3/1971	Gahm	D7/512
D309,116	S *	7/1990	Marshall	D10/62
5,439,128	A *	8/1995	Fishman	220/8
D483,225	S *	12/2003	Gain	D7/512

DESCRIPTION

FIG. 1 is a top front perspective view of a foldable container showing my new design;
FIG. 2 is a front elevational view thereof;
FIG. 3 is a rear elevational view thereof;
FIG. 4 is a left side elevational view thereof;
FIG. 5 is a right side elevational view thereof;
FIG. 6 is a top plan view thereof;
FIG. 7 is a bottom plan view thereof; and,
FIG. 8 is a front elevational view of folded state thereof.

1 Claim, 3 Drawing Sheets



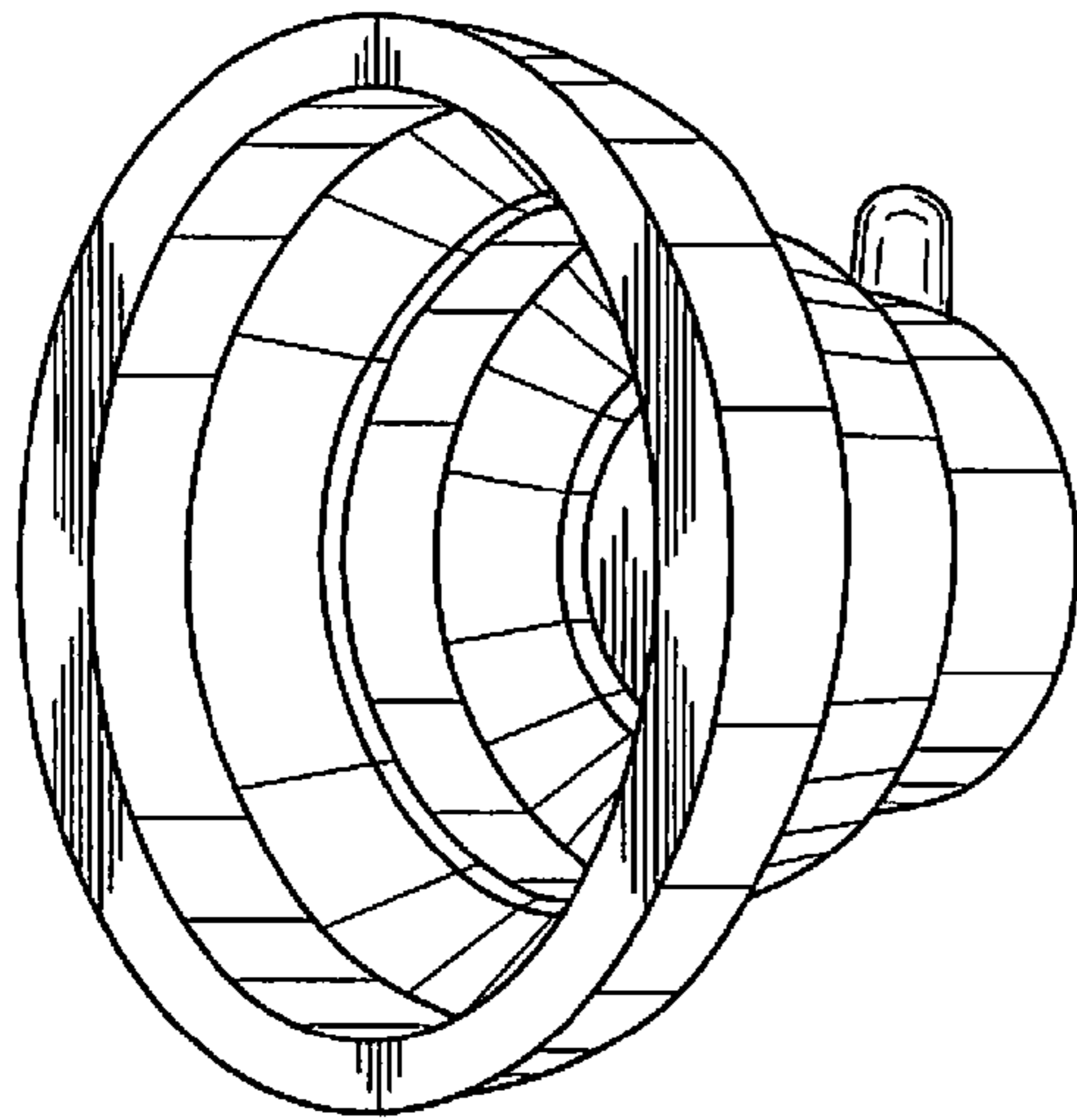


FIG. 1

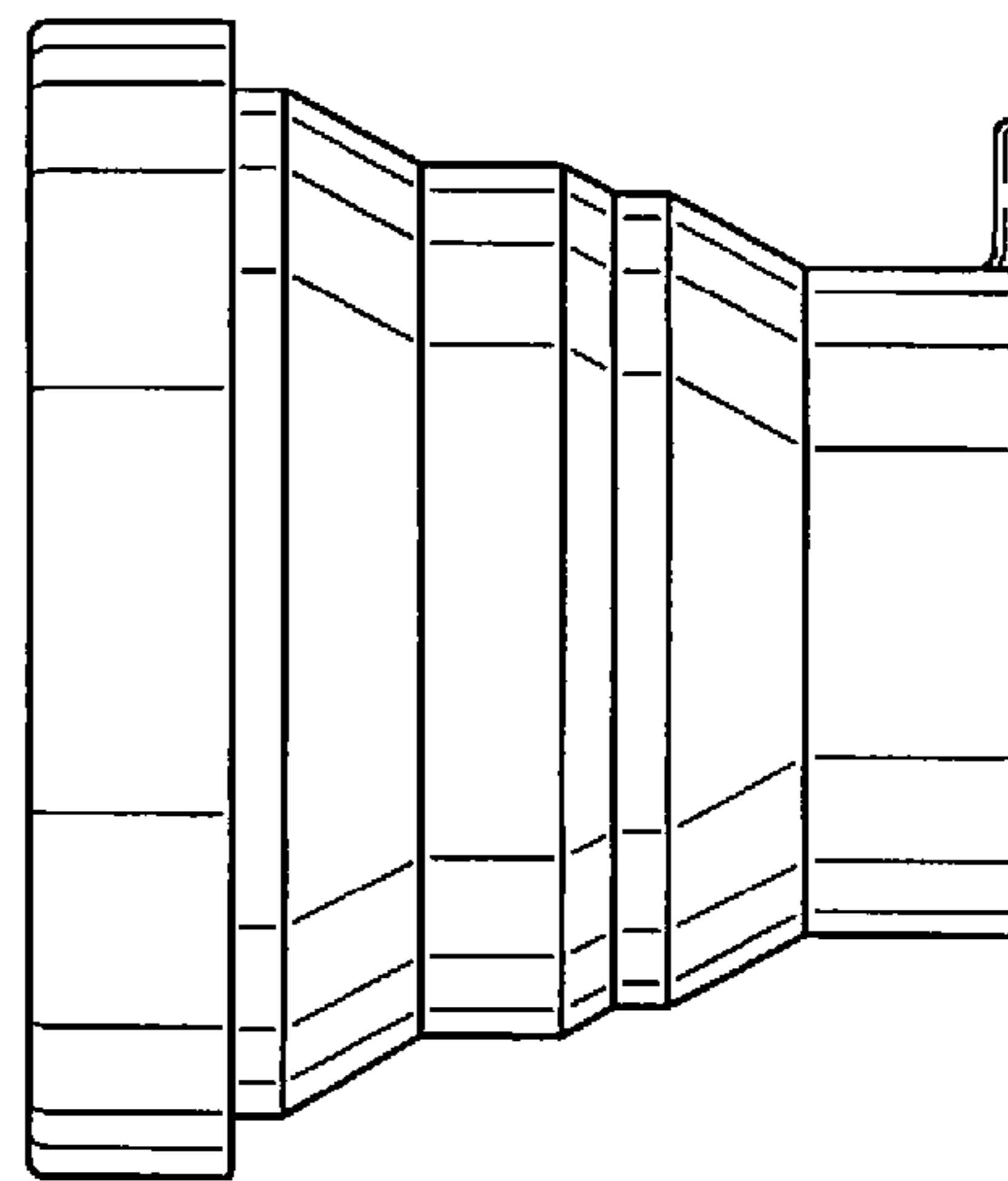


FIG. 2

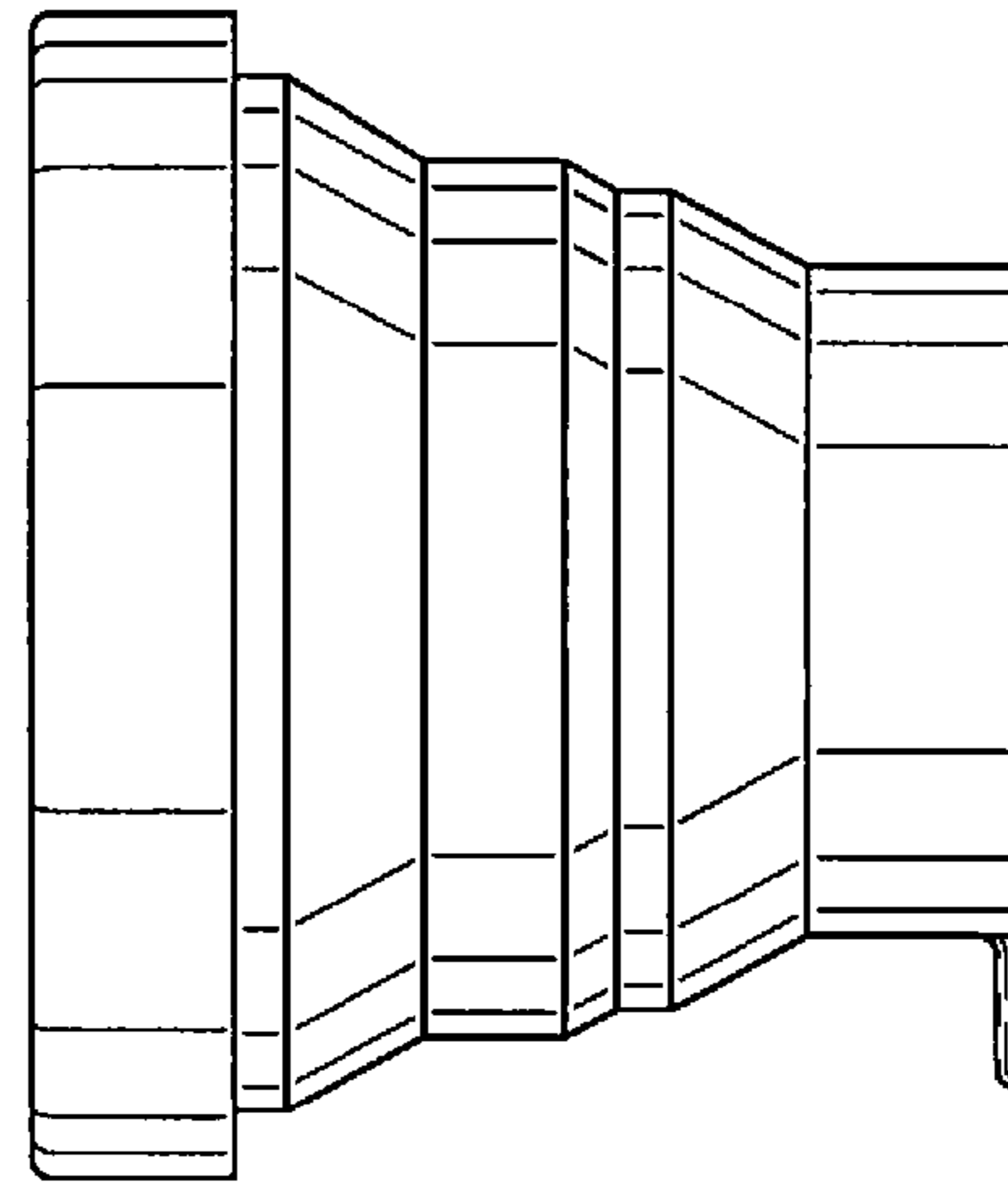


FIG. 3

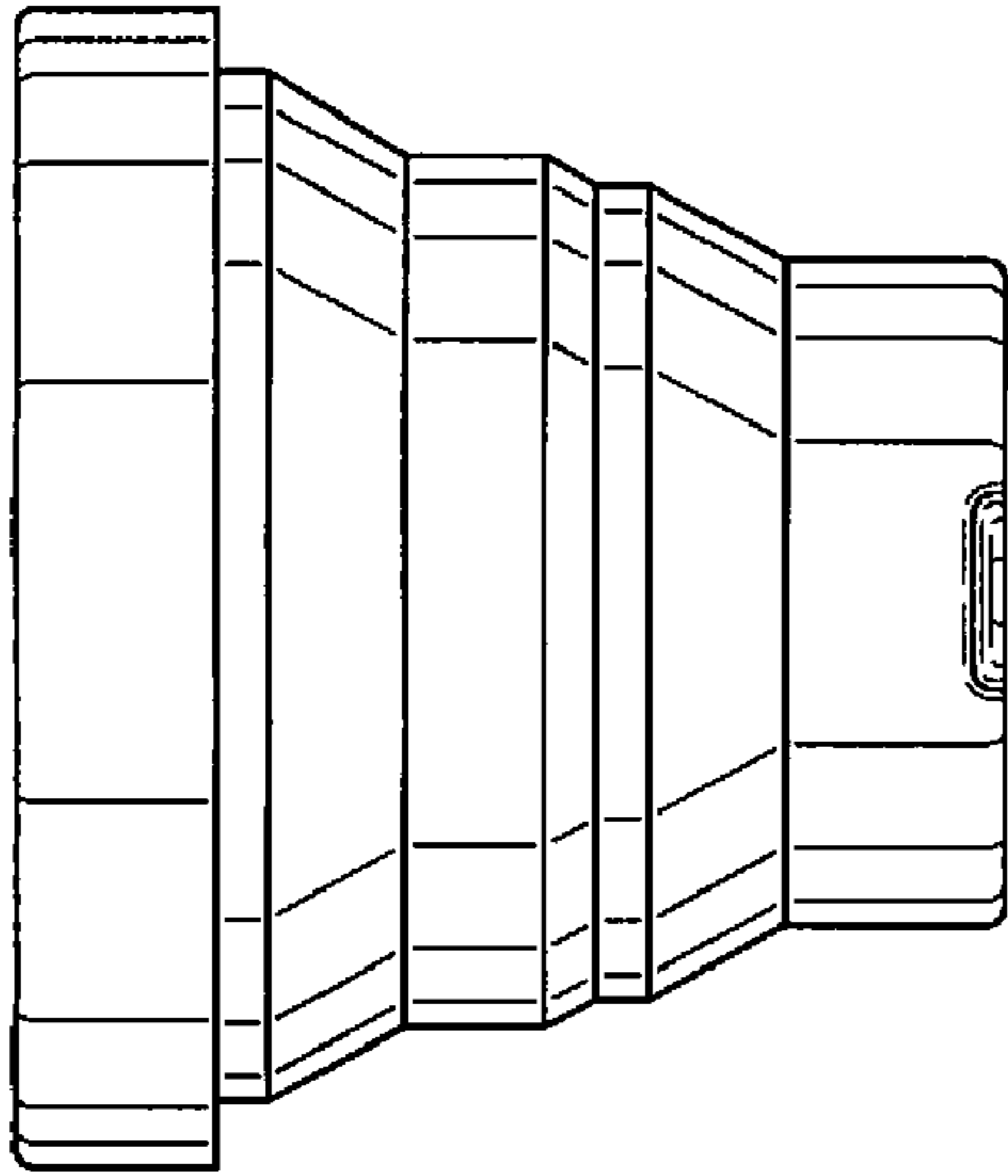


FIG. 5

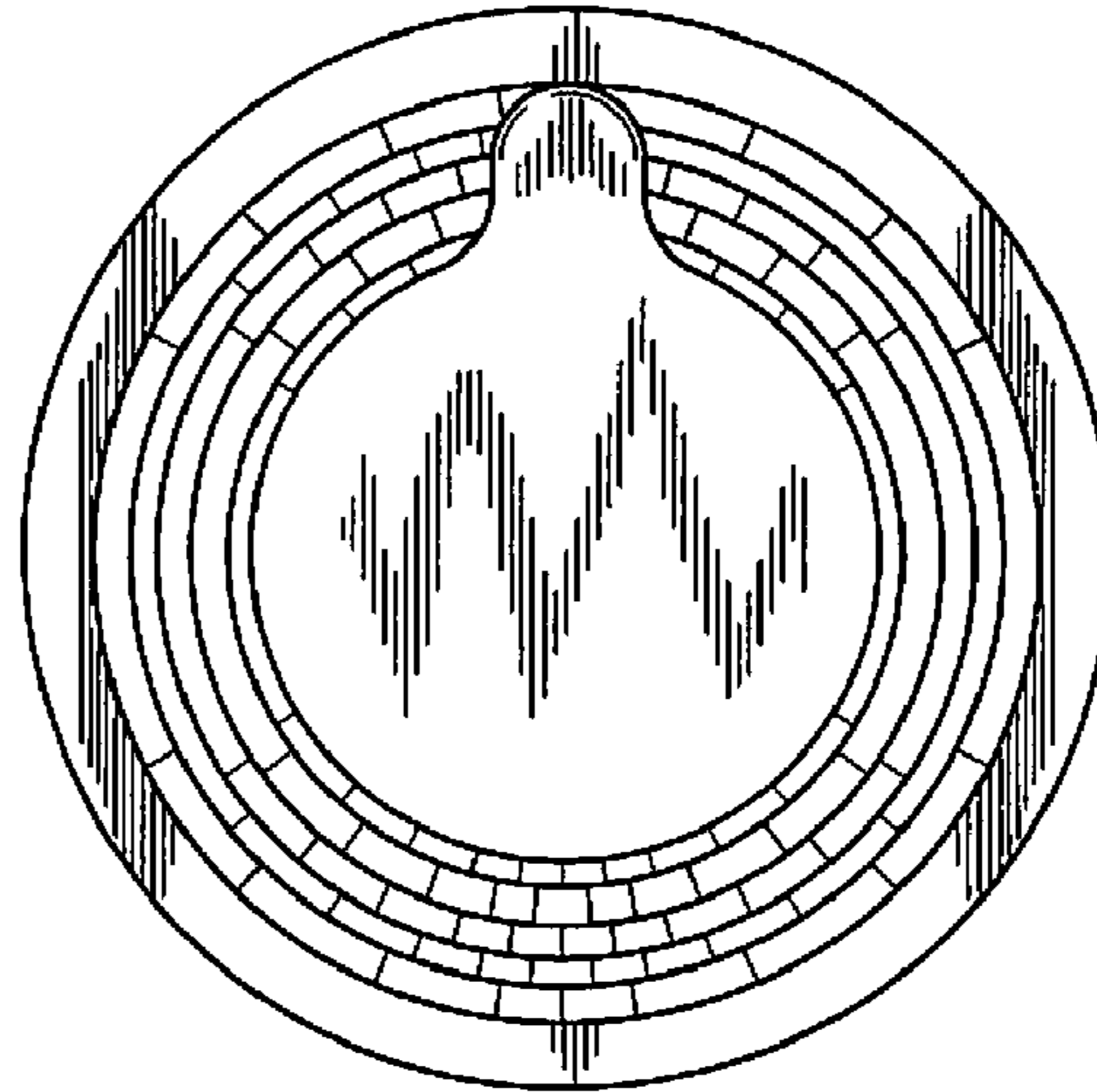


FIG. 7

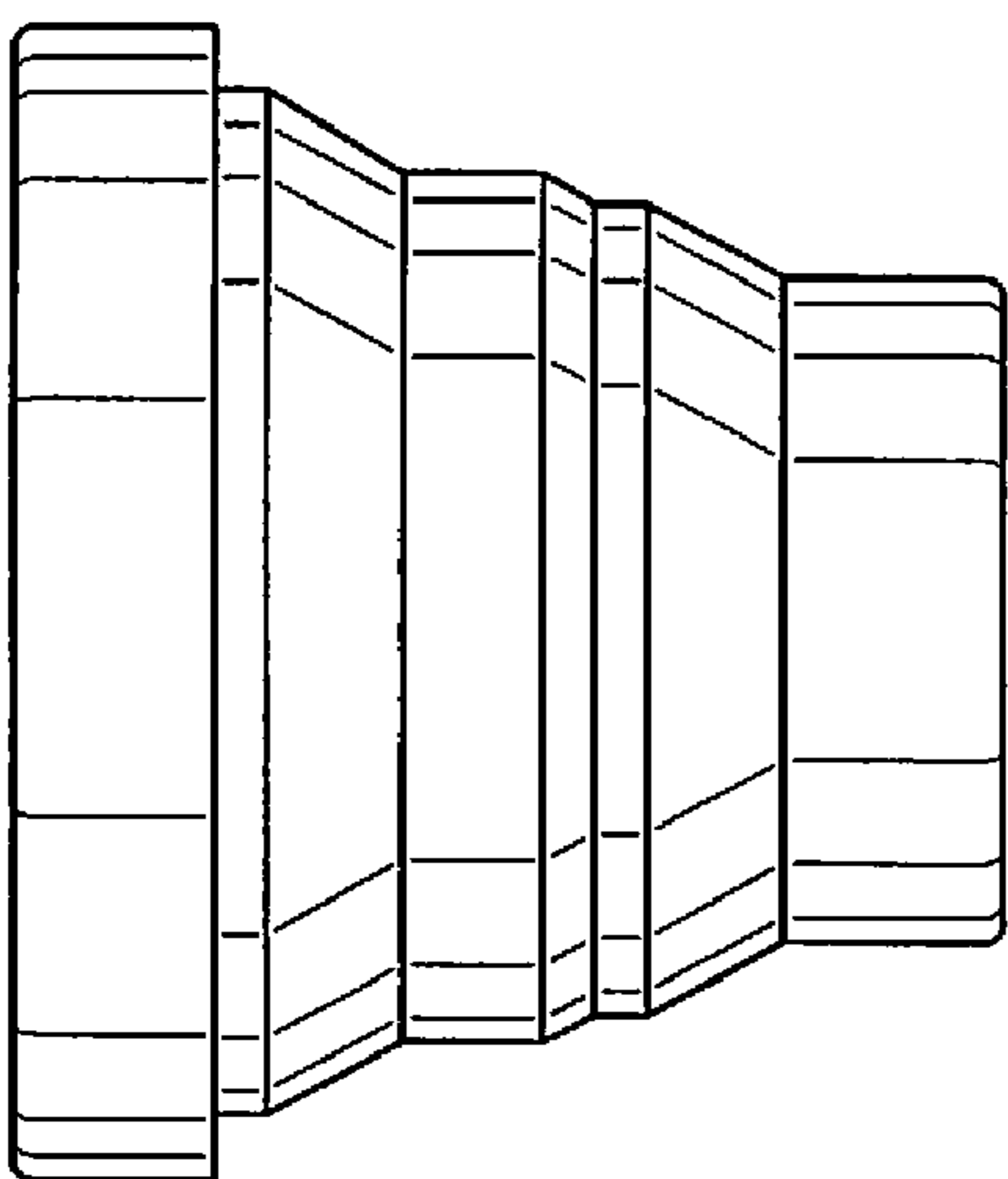


FIG. 4

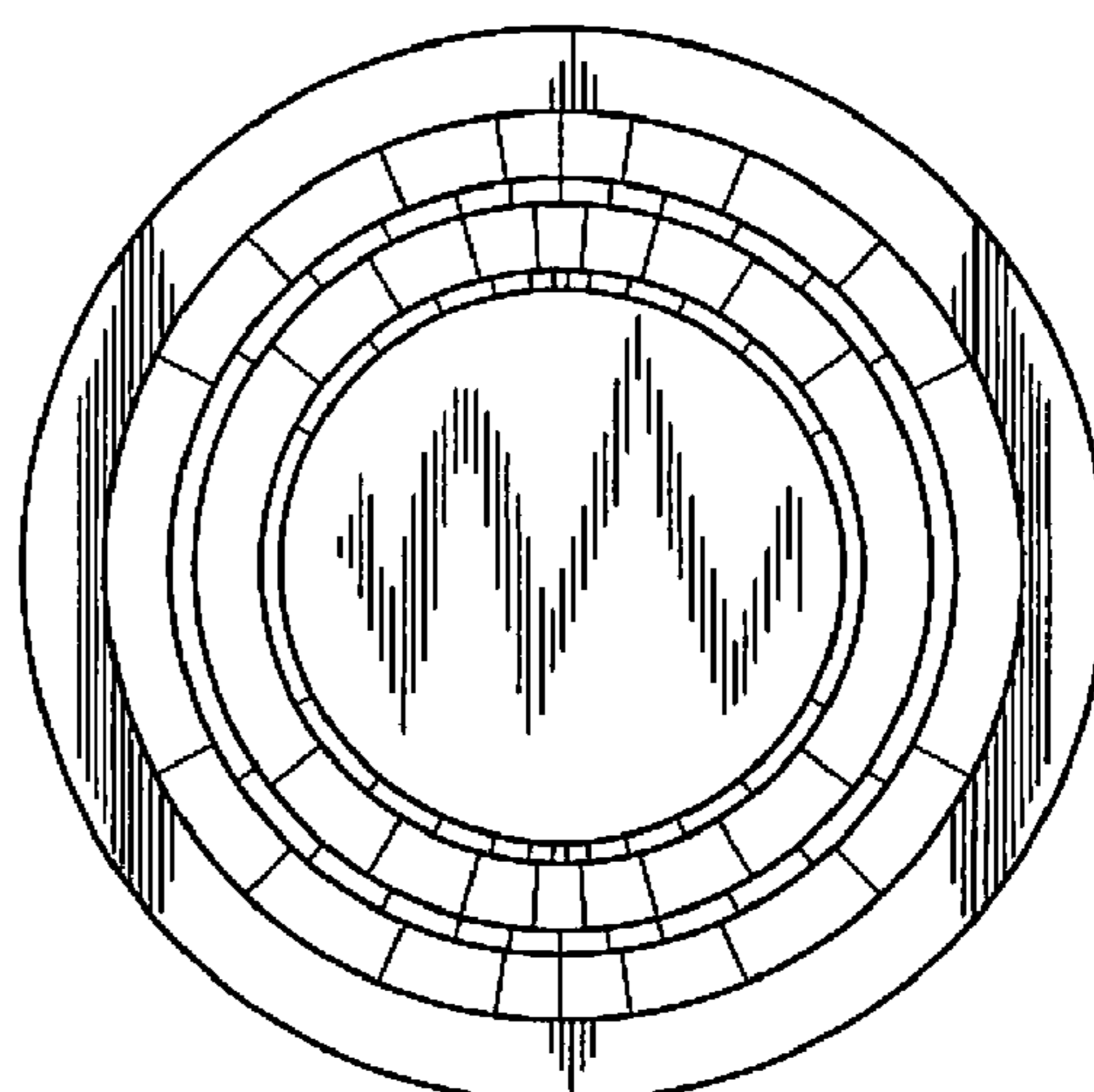


FIG. 6

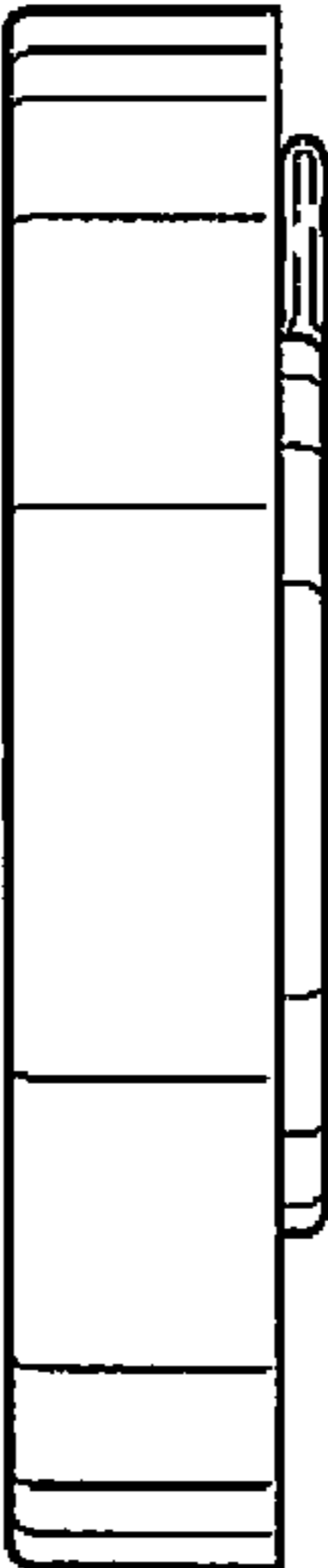


FIG. 8