

US00D664001S

(12) **United States Design Patent**
Liu

(10) **Patent No.:** **US D664,001 S**

(45) **Date of Patent:** **** *Jul. 24, 2012**

(54) **TUMBLER**

(76) Inventor: **Morgan Liu**, Taichung (TW)

(*) Notice: This patent is subject to a terminal disclaimer.

(**) Term: **14 Years**

(21) Appl. No.: **29/375,300**

(22) Filed: **Sep. 20, 2010**

(51) **LOC (9) Cl.** **07-01**

(52) **U.S. Cl.** **D7/510**

(58) **Field of Classification Search** D7/510,
D7/511, 500, 532, 900; 215/121, 382, 388,
215/387; 220/674, 715, 713, 718, 592.16,
220/592.17, 709, 708; D9/551, 529
See application file for complete search history.

(56) **References Cited**

U.S. PATENT DOCUMENTS

D438,298 S * 2/2001 McNutt D23/367
D453,446 S * 2/2002 Bodum D7/510

D458,081 S * 6/2002 Bodum D7/510
D579,720 S * 11/2008 Rohe D7/510
D608,147 S * 1/2010 Sykes D7/507
D621,659 S 8/2010 Liu
2006/0243734 A1* 11/2006 Tedford, Jr. 220/780
2007/0114236 A1* 5/2007 Shiffer et al. 220/782

* cited by examiner

Primary Examiner — Cynthia Underwood

(57) **CLAIM**

The ornamental design for a tumbler, as shown and described.

DESCRIPTION

FIG. 1 is a perspective view of a tumbler showing my new design;

FIG. 2 is a front view thereof;

FIG. 3 is a rear view thereof;

FIG. 4 is a left view thereof;

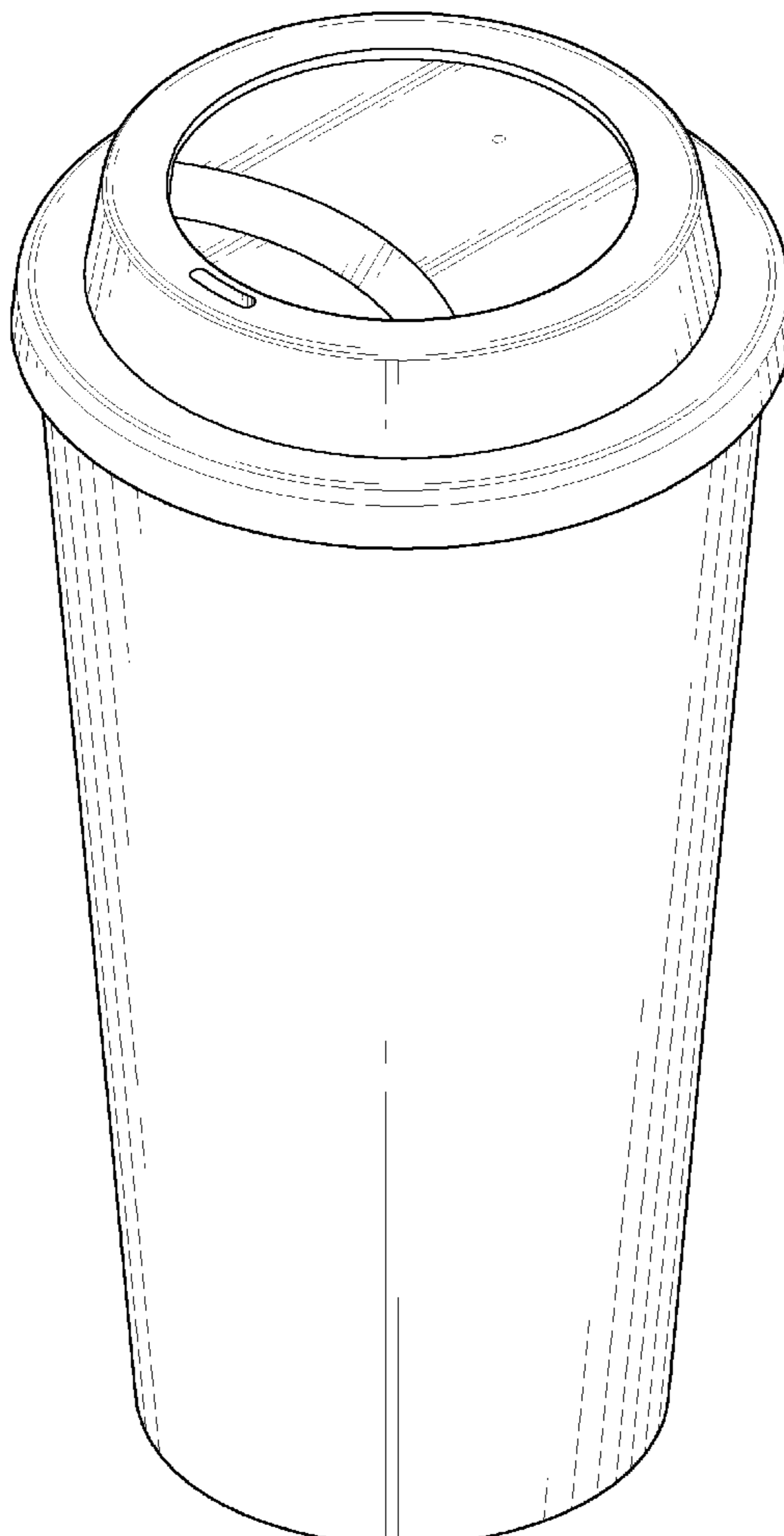
FIG. 5 is a right view thereof;

FIG. 6 is a top view thereof; and,

FIG. 7 is a bottom view thereof.

The broken lines represent portions of the structure that form no part of the claim.

1 Claim, 7 Drawing Sheets



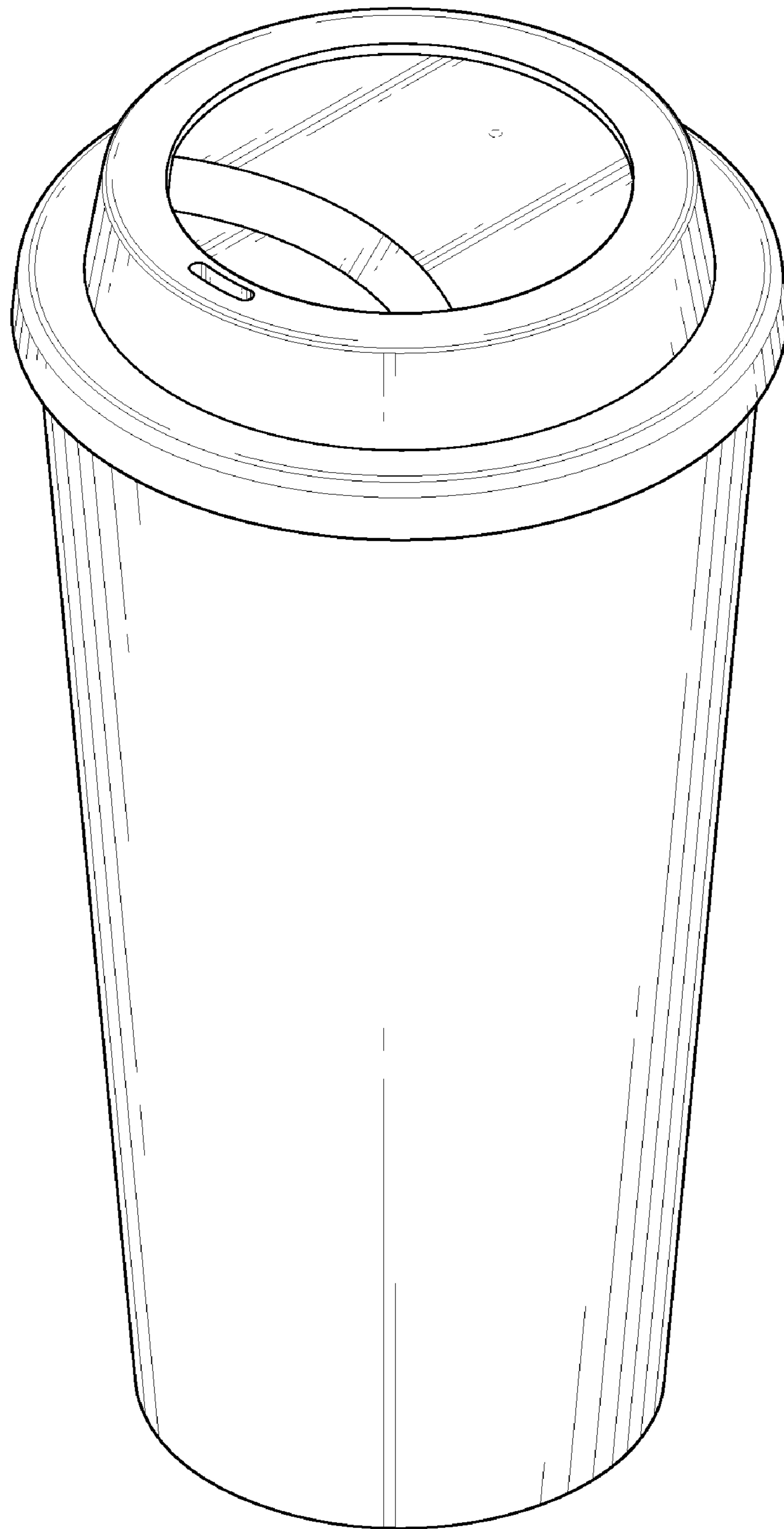


FIG. 1

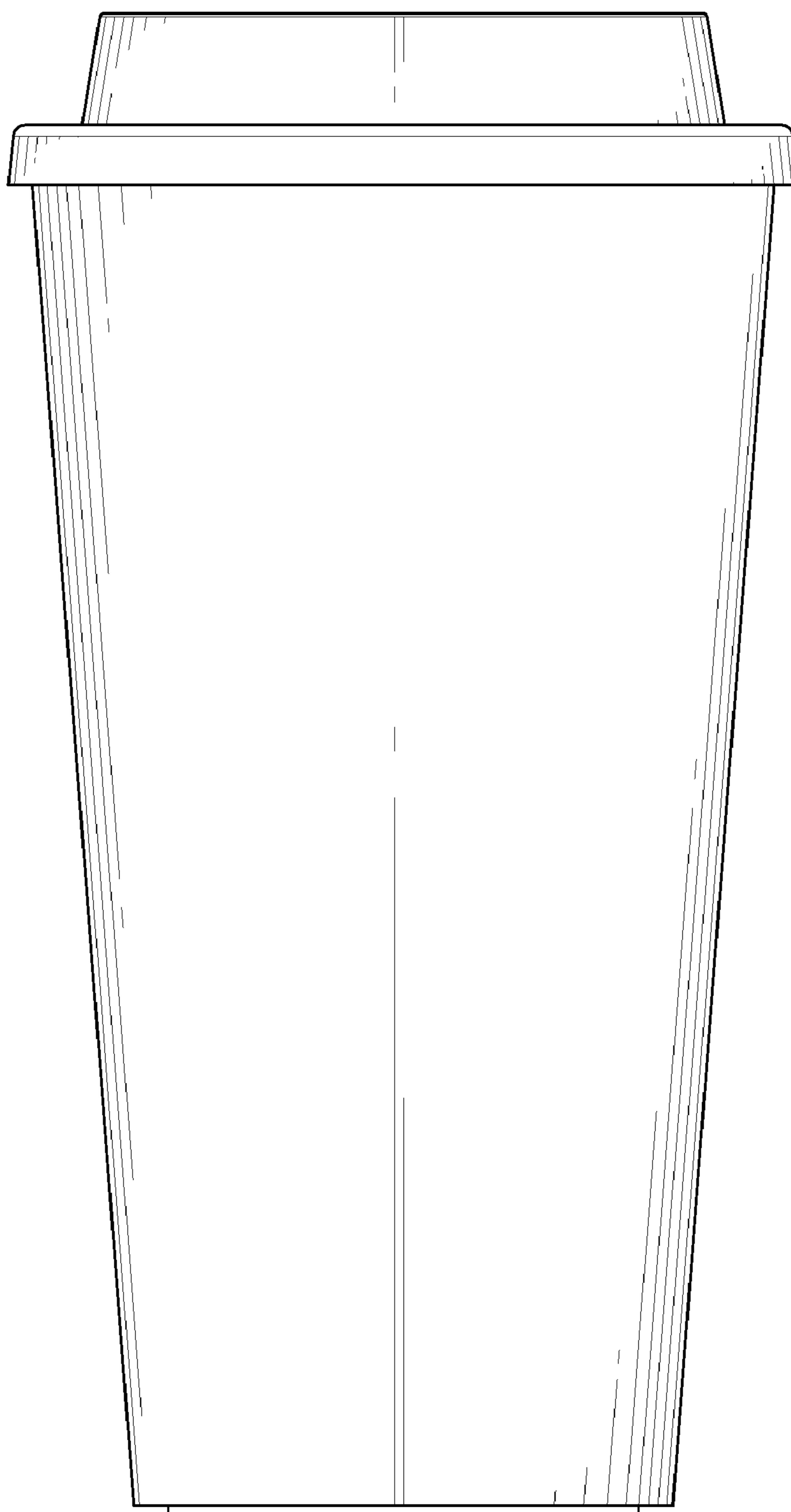


FIG. 2

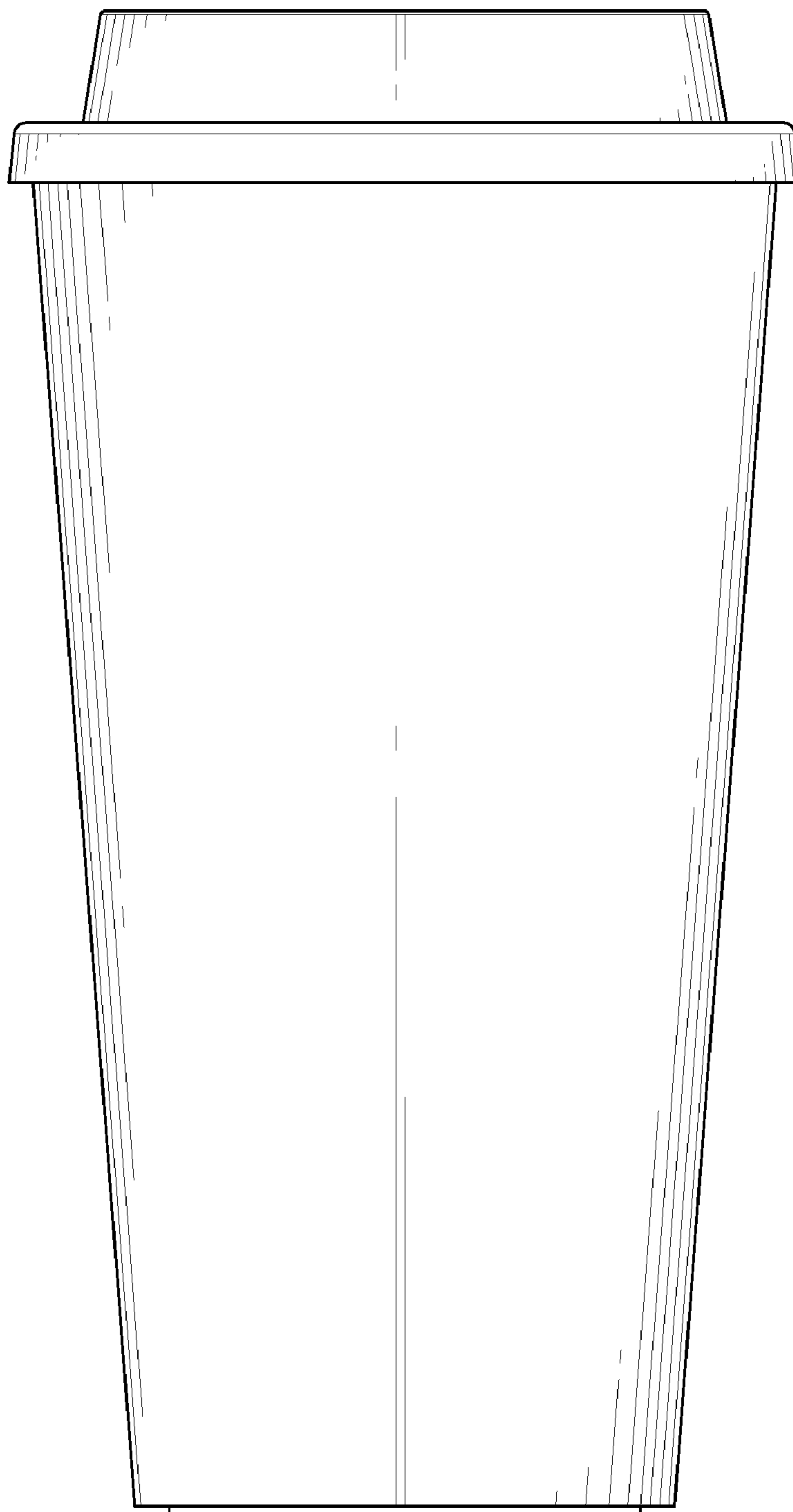


FIG. 3

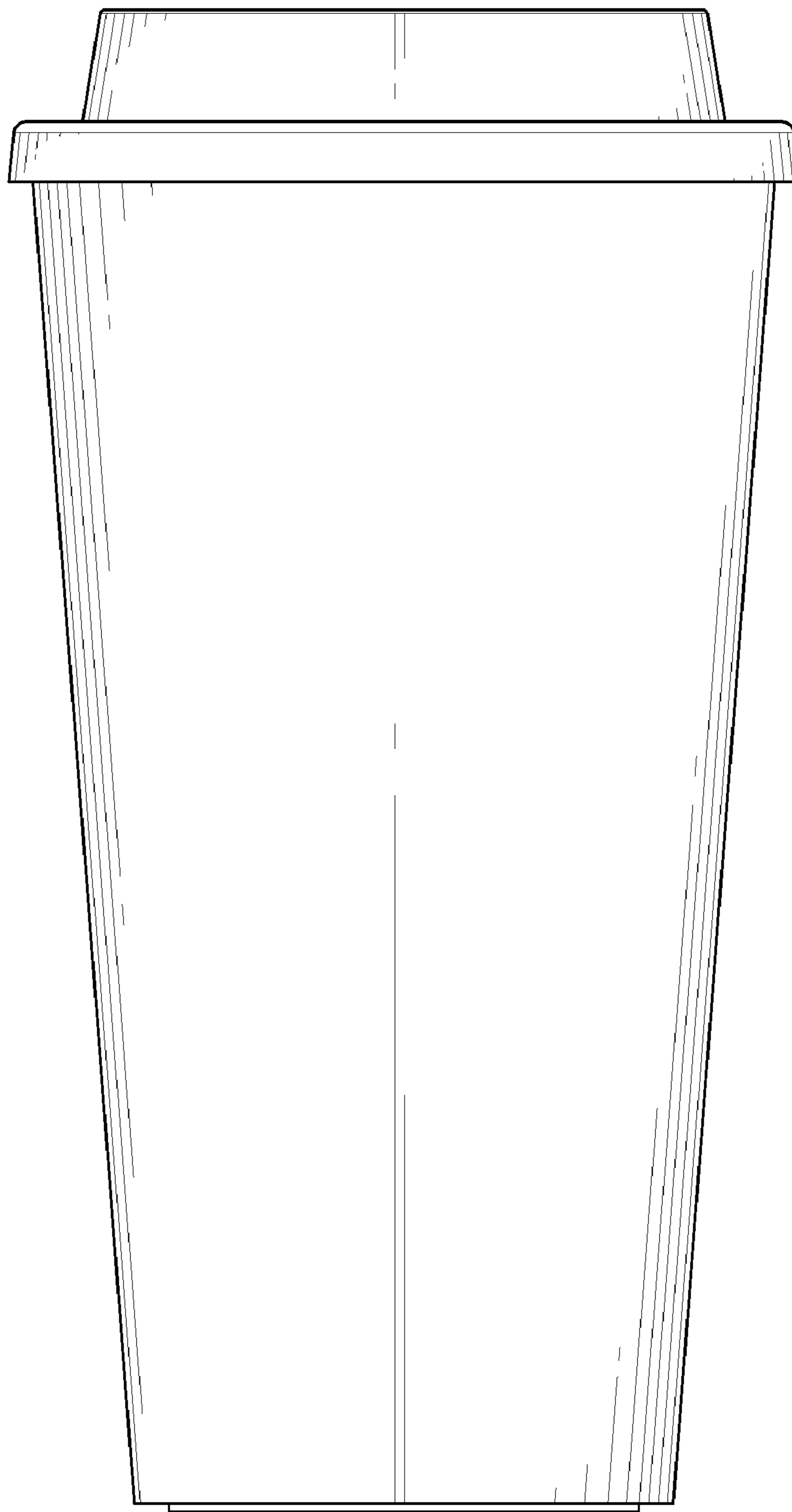


FIG. 4

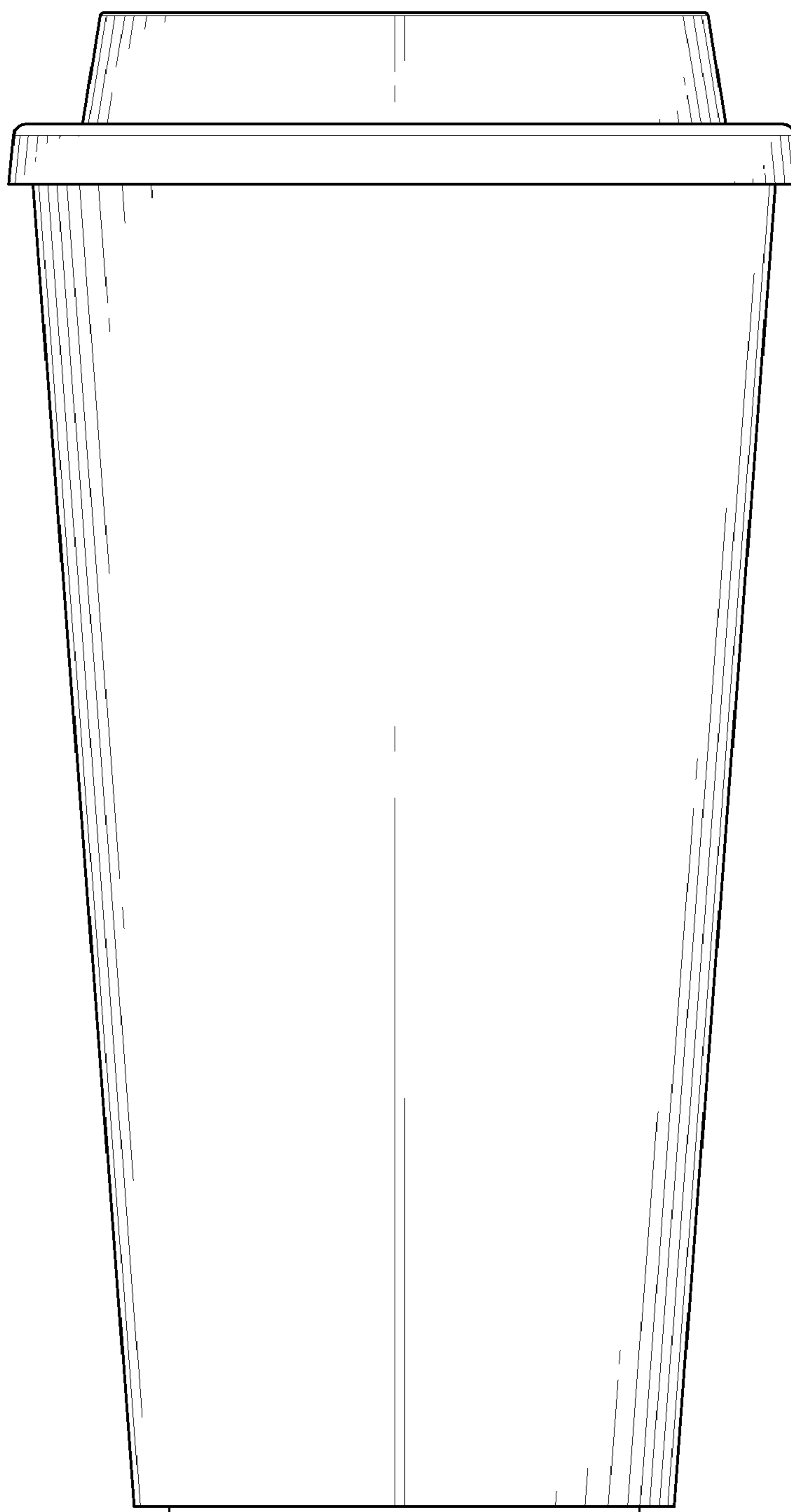


FIG. 5

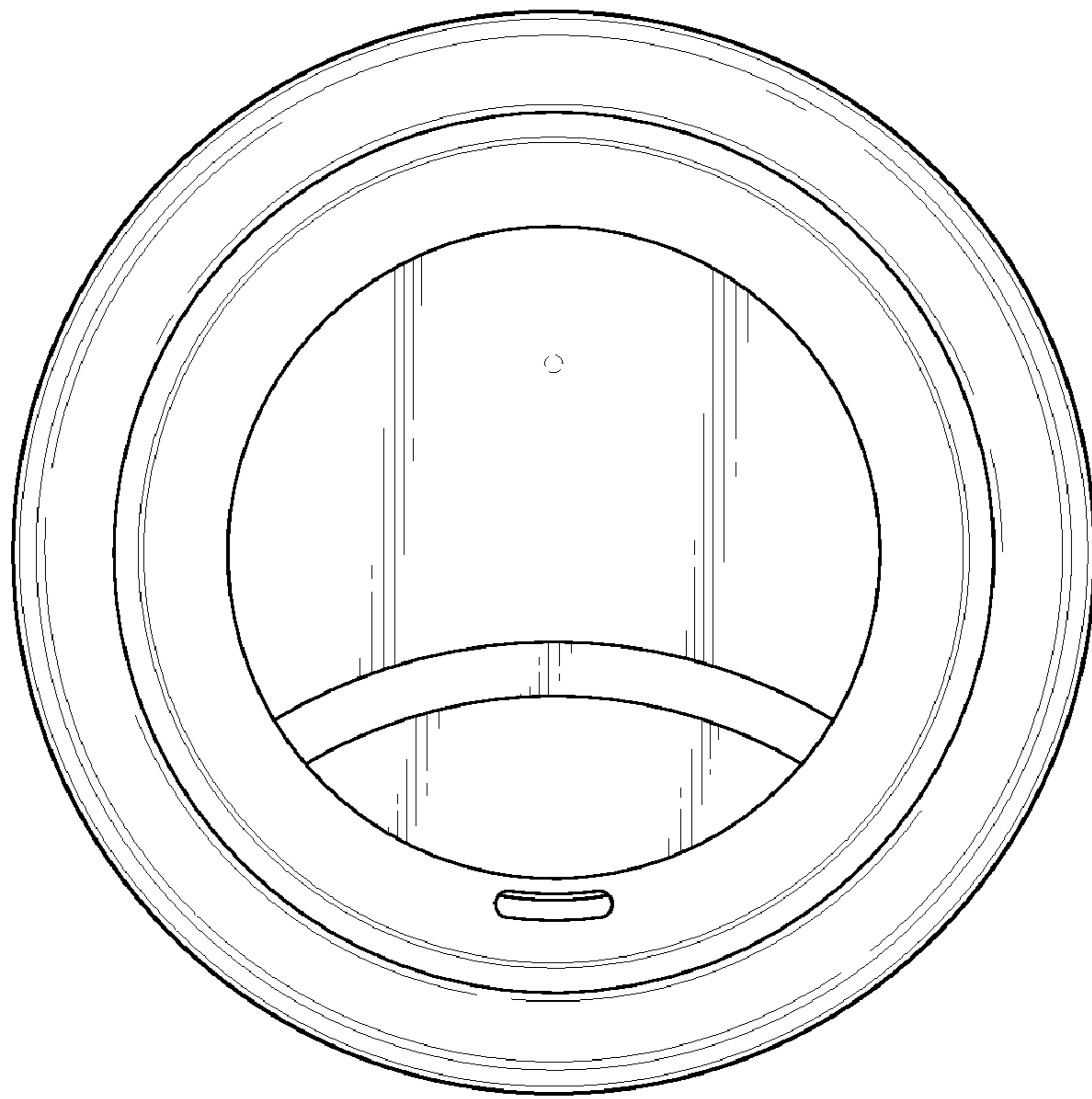


FIG. 6

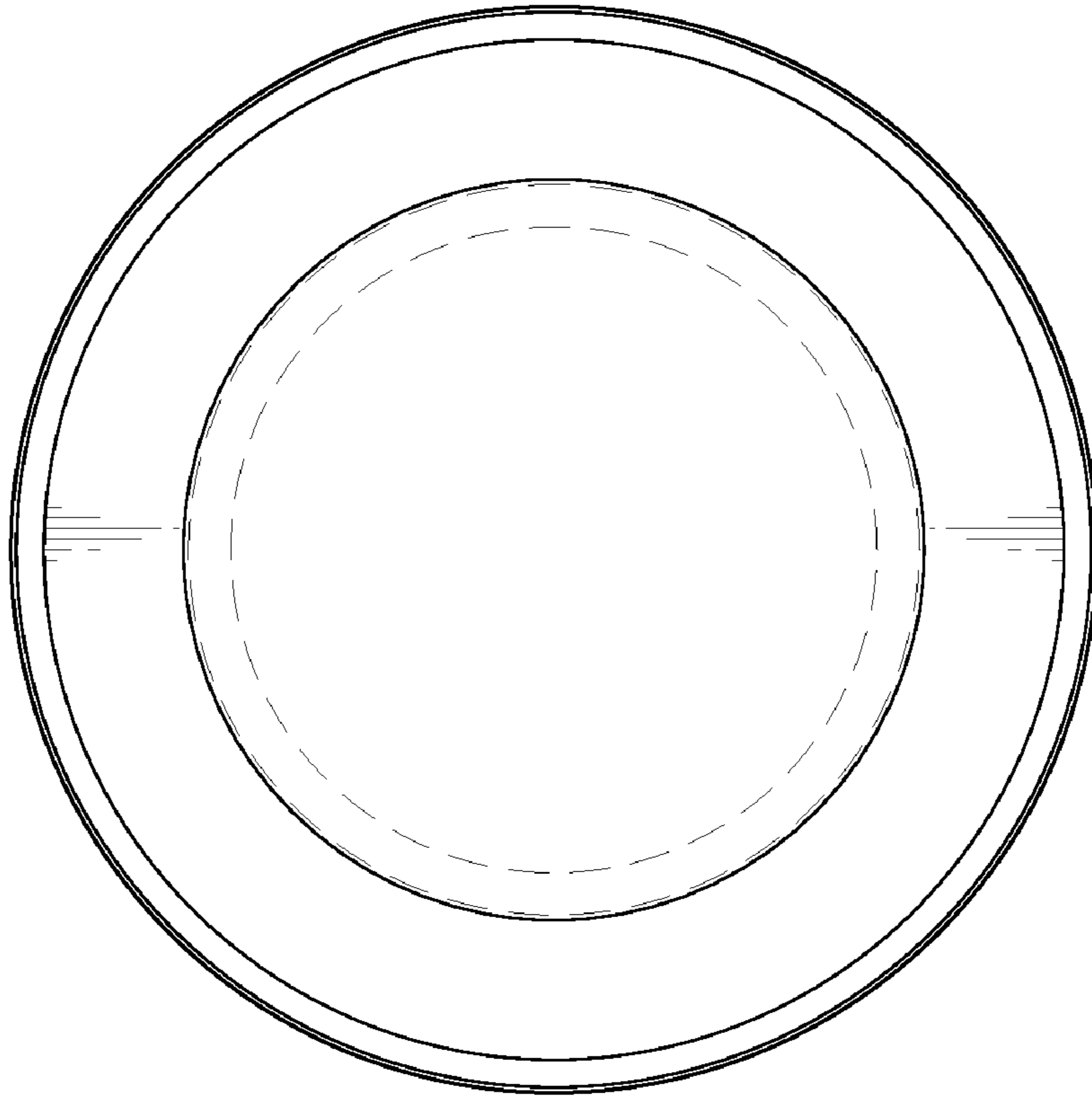


FIG. 7