

US00D663999S

(12) **United States Design Patent**  
**Scrivani**

(10) **Patent No.:** **US D663,999 S**

(45) **Date of Patent:** **\*\* Jul. 24, 2012**

(54) **CAPSULE FOR COFFEE**

(75) Inventor: **Massimo Scrivani**, Casteggio, Pavia (IT)

(73) Assignee: **Technology for Beverage S.R.L.**,  
Bologna (IT)

(\*\*) Term: **14 Years**

(21) Appl. No.: **29/382,118**

(22) Filed: **Dec. 29, 2010**

(30) **Foreign Application Priority Data**

Jun. 30, 2010 (EM) ..... 001222343

(51) **LOC (9) Cl.** ..... **07-99**

(52) **U.S. Cl.** ..... **D7/400; D7/399**

(58) **Field of Classification Search** ..... D7/540,  
D7/584, 400, 399, 538, 601; D6/515; D3/302;  
D9/734, 424; 99/322, 304, 295; 210/474;  
220/781, 792; 206/508, 524.1; 426/80

See application file for complete search history.

(56) **References Cited**

**U.S. PATENT DOCUMENTS**

D334,499 S \* 4/1993 Meisner et al. .... D6/515  
D389,697 S \* 1/1998 Smit ..... D7/400

D459,152 S \* 6/2002 Fischer et al. .... D7/400  
D460,660 S \* 7/2002 Fischer et al. .... D7/400  
D535,478 S \* 1/2007 Uffner et al. .... D3/302  
D542,088 S \* 5/2007 Albrecht ..... D7/400  
D554,988 S \* 11/2007 Sim ..... D9/425  
D560,430 S \* 1/2008 Albrecht ..... D7/400  
D628,060 S \* 11/2010 Wallach et al. .... D9/424

\* cited by examiner

*Primary Examiner* — Marianne Pandozzi

(74) *Attorney, Agent, or Firm* — Ohlandt, Greeley, Ruggiero  
& Perle, LLP

(57) **CLAIM**

The ornamental design for a capsule for coffee, as shown and described.

**DESCRIPTION**

FIG. 1 is a top view of the capsule for coffee according to the present invention;

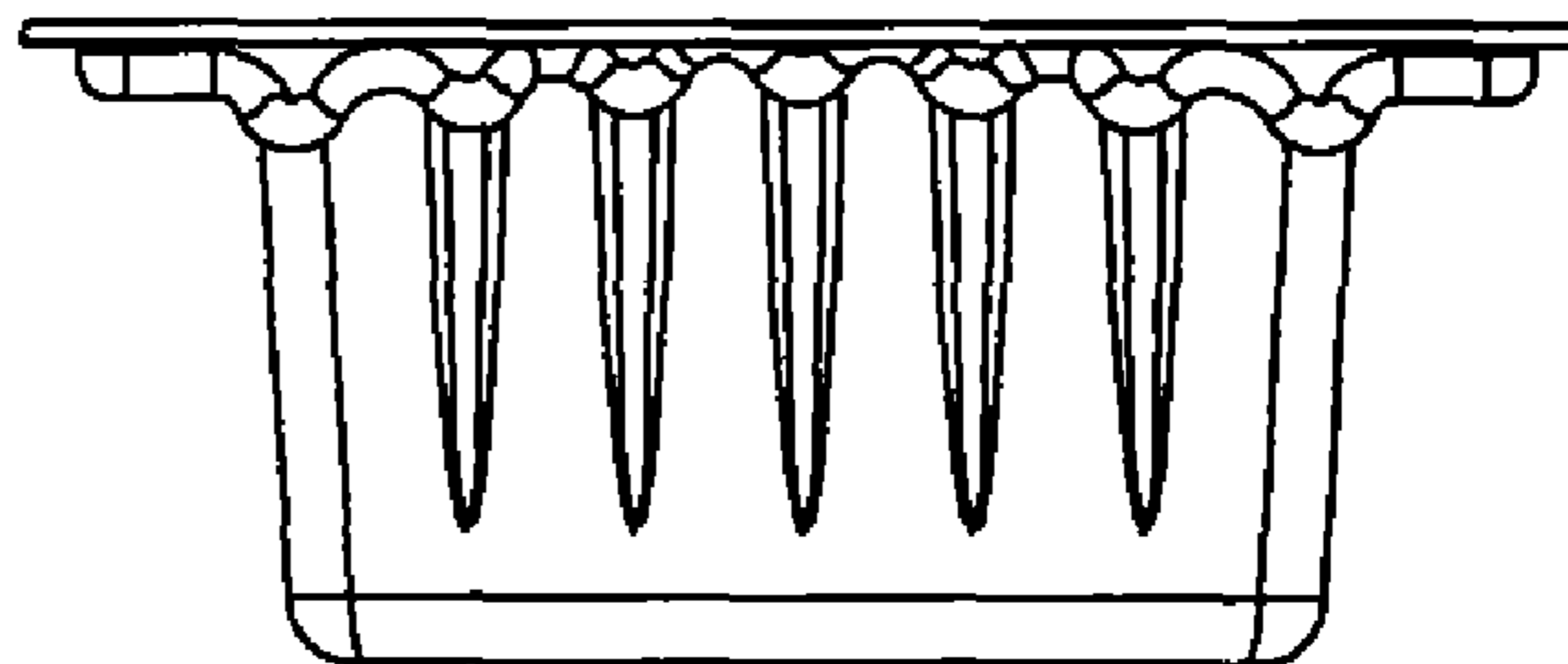
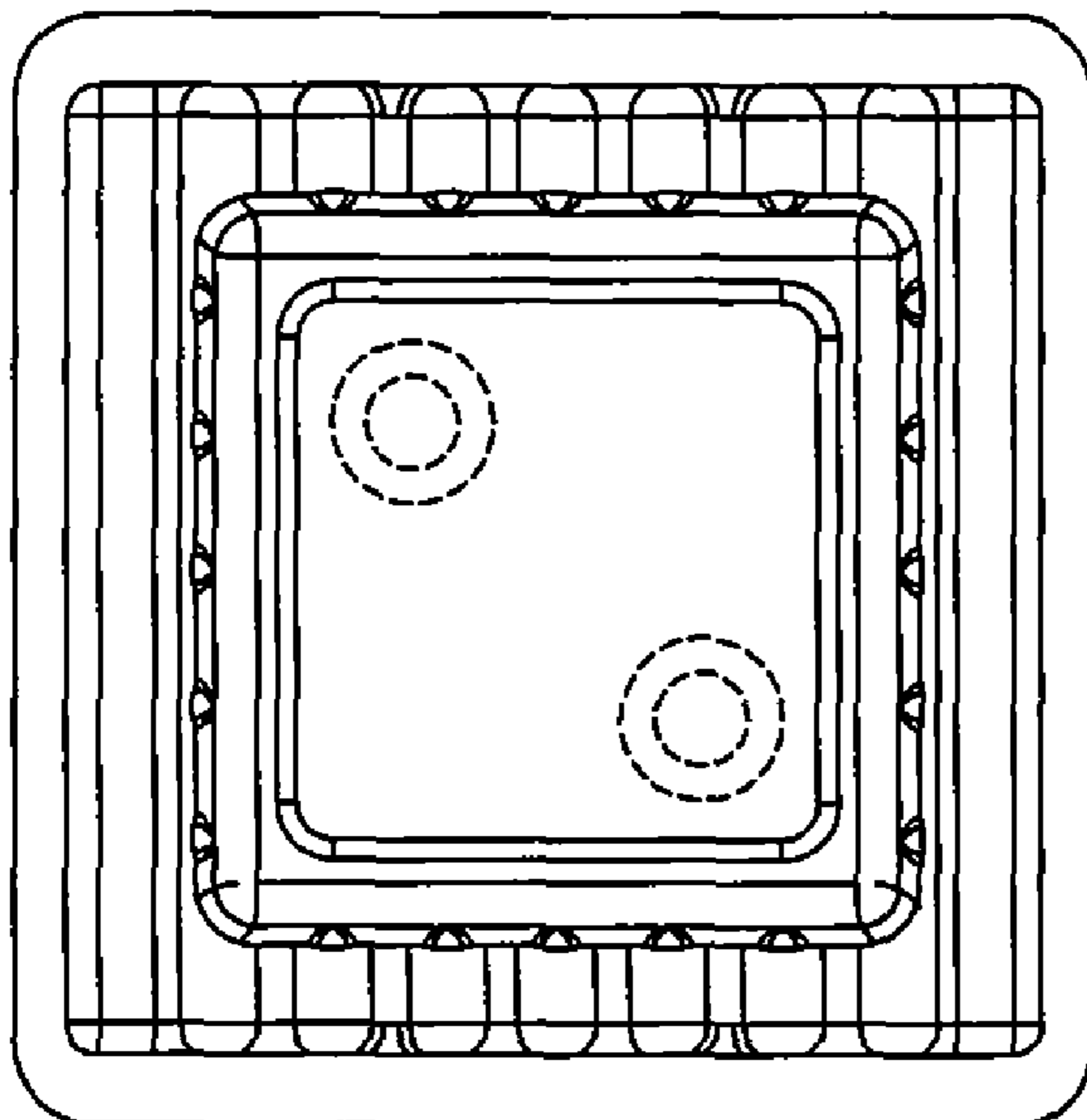
FIG. 2 is a bottom view of the capsule for coffee of FIG. 1;

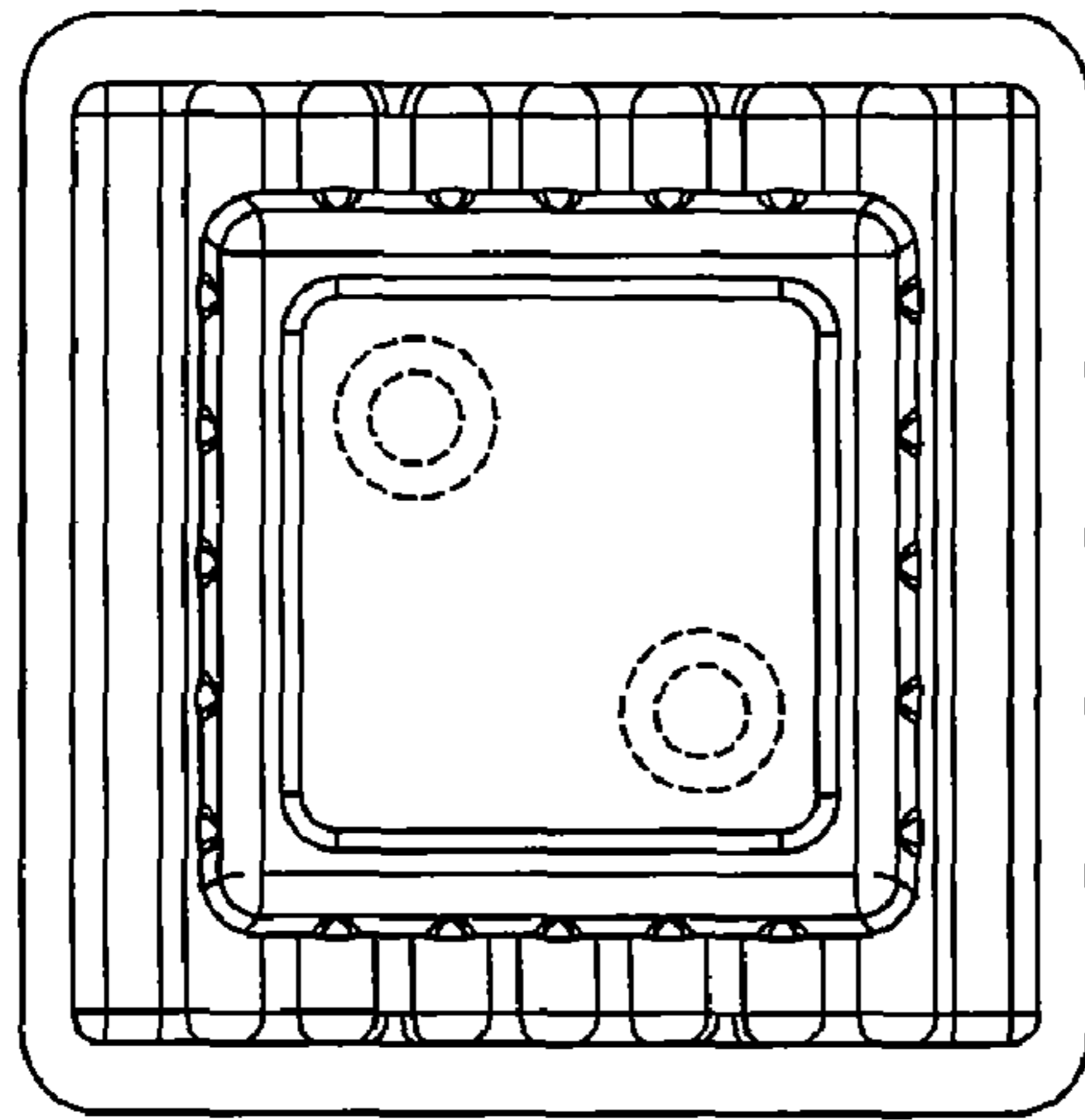
FIG. 3 is a front view of the capsule for coffee of FIG. 1; and,

FIG. 4 is a side view of the capsule for coffee of FIG. 1.

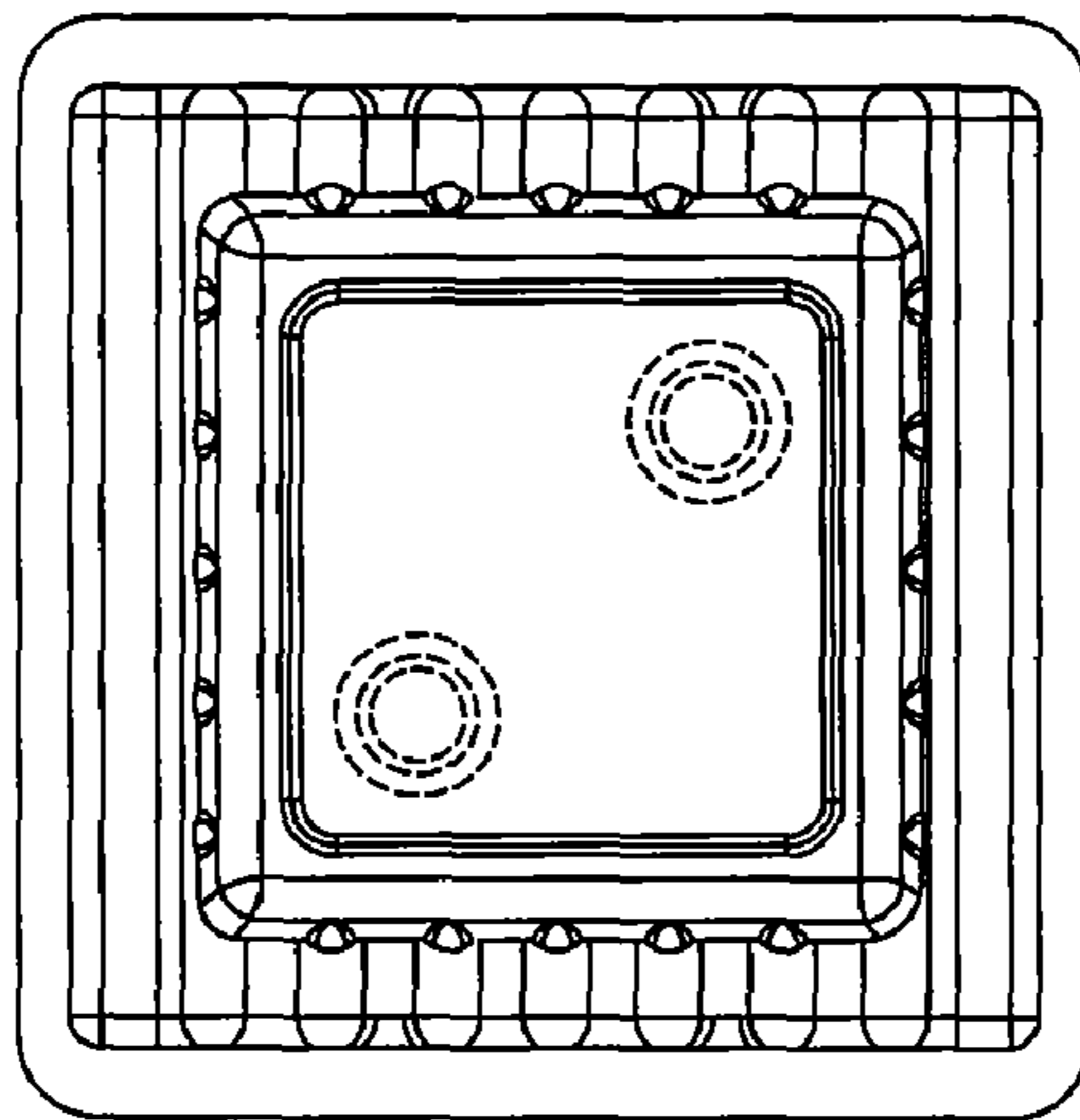
The broken lines in the drawings are included for the purpose of illustration and form no part of the claimed design.

**1 Claim, 1 Drawing Sheet**

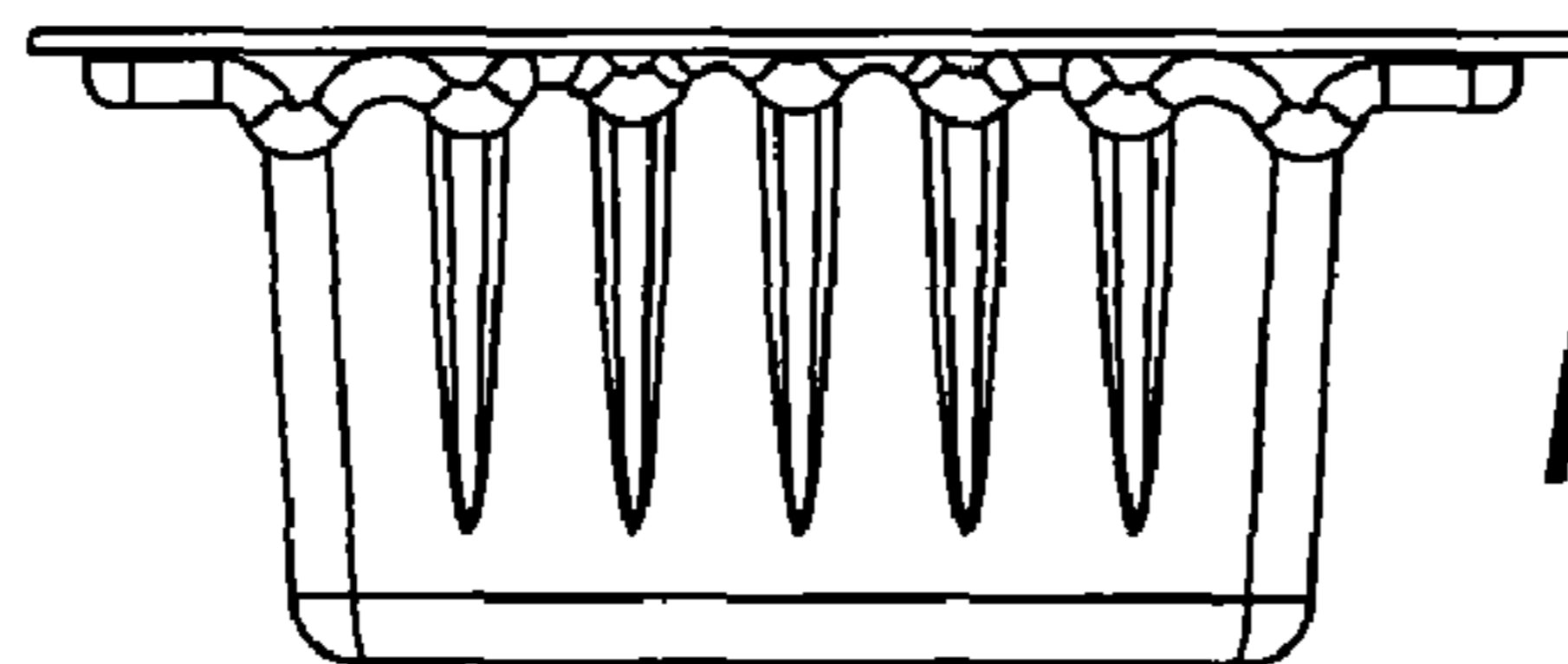




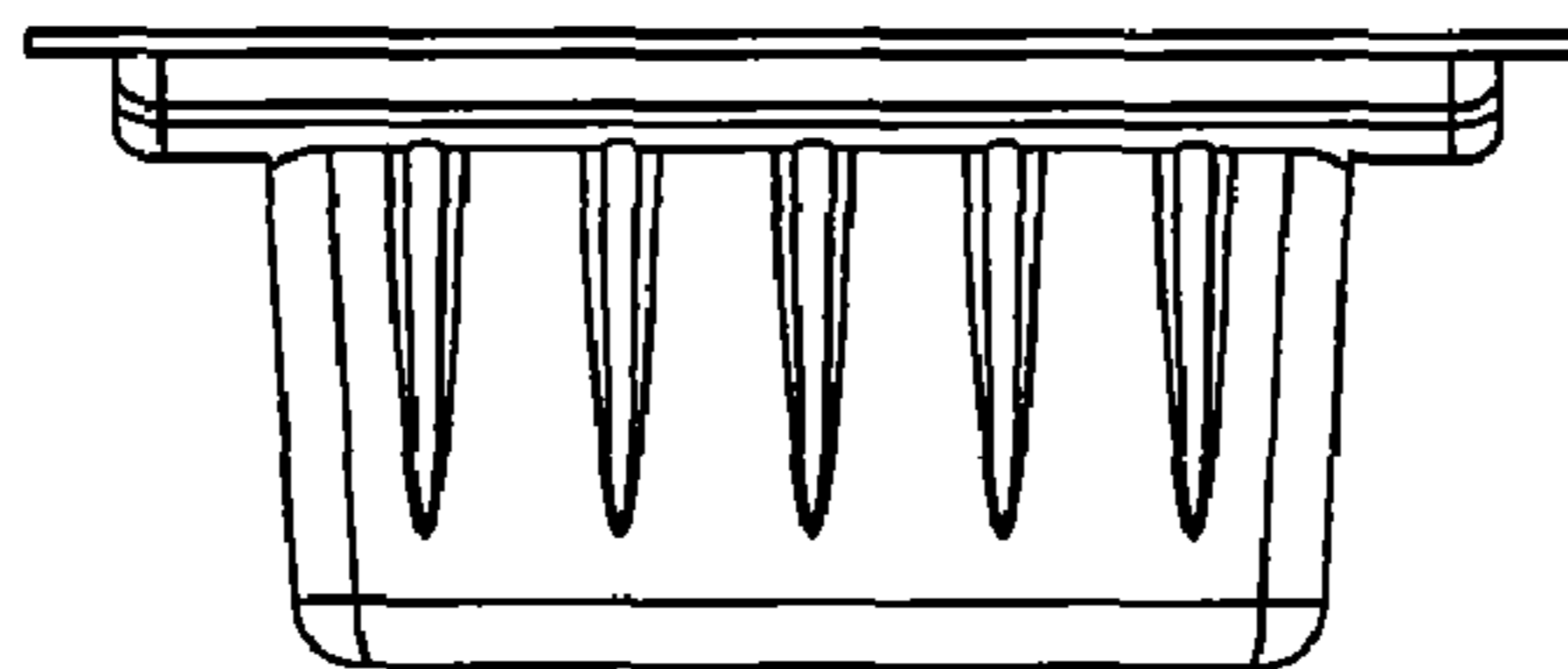
*FIG. 1*



*FIG. 2*



*FIG. 3*



*FIG. 4*