

US00D663997S

(12) **United States Design Patent**  
**Thompson**

(10) **Patent No.:** **US D663,997 S**

(45) **Date of Patent:** **\*\* Jul. 24, 2012**

(54) **HANDLE FOR GRILL UTENSILS**

(76) **Inventor:** **Joseph Charles Thompson**, Dallas  
County, TX (US)

(\*\*) **Term:** **14 Years**

(21) **Appl. No.:** **29/373,246**

(22) **Filed:** **Mar. 22, 2011**

(51) **LOC (9) Cl.** ..... **07-02**

(52) **U.S. Cl.** ..... **D7/395**

(58) **Field of Classification Search** ..... D7/354-361,  
D7/393-395, 401.2, 664, 683, 688, 691, 692,  
D7/693; D8/107, 300, 303, 307, 313, 321;  
D4/138, 129; 16/421, 430, 431, 110.1, 407;  
220/573.1-573.5, 752, 753, 755, 756, 759,  
220/767, 771, 912

See application file for complete search history.

(56) **References Cited**

U.S. PATENT DOCUMENTS

D529,333	S	*	10/2006	Zemel	.....	D7/393
D544,750	S	*	6/2007	Zemel	.....	D7/393
D545,119	S	*	6/2007	Kallenberger	.....	D7/393
D545,121	S	*	6/2007	Zemel	.....	D7/395
D564,292	S	*	3/2008	Zemel	.....	D7/393

\* cited by examiner

*Primary Examiner* — Cynthia M Chin

(74) *Attorney, Agent, or Firm* — W. Thomas Timmons

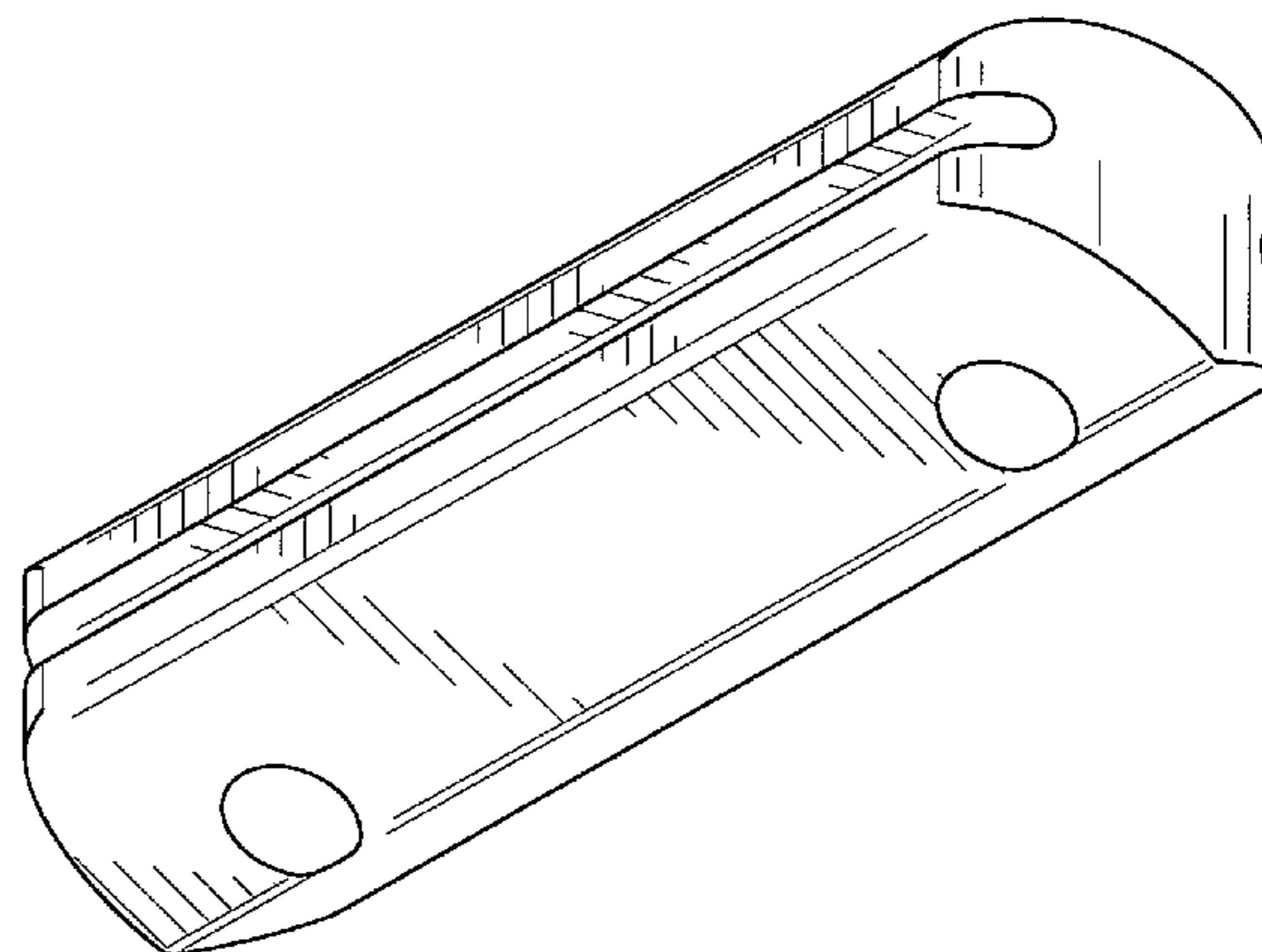
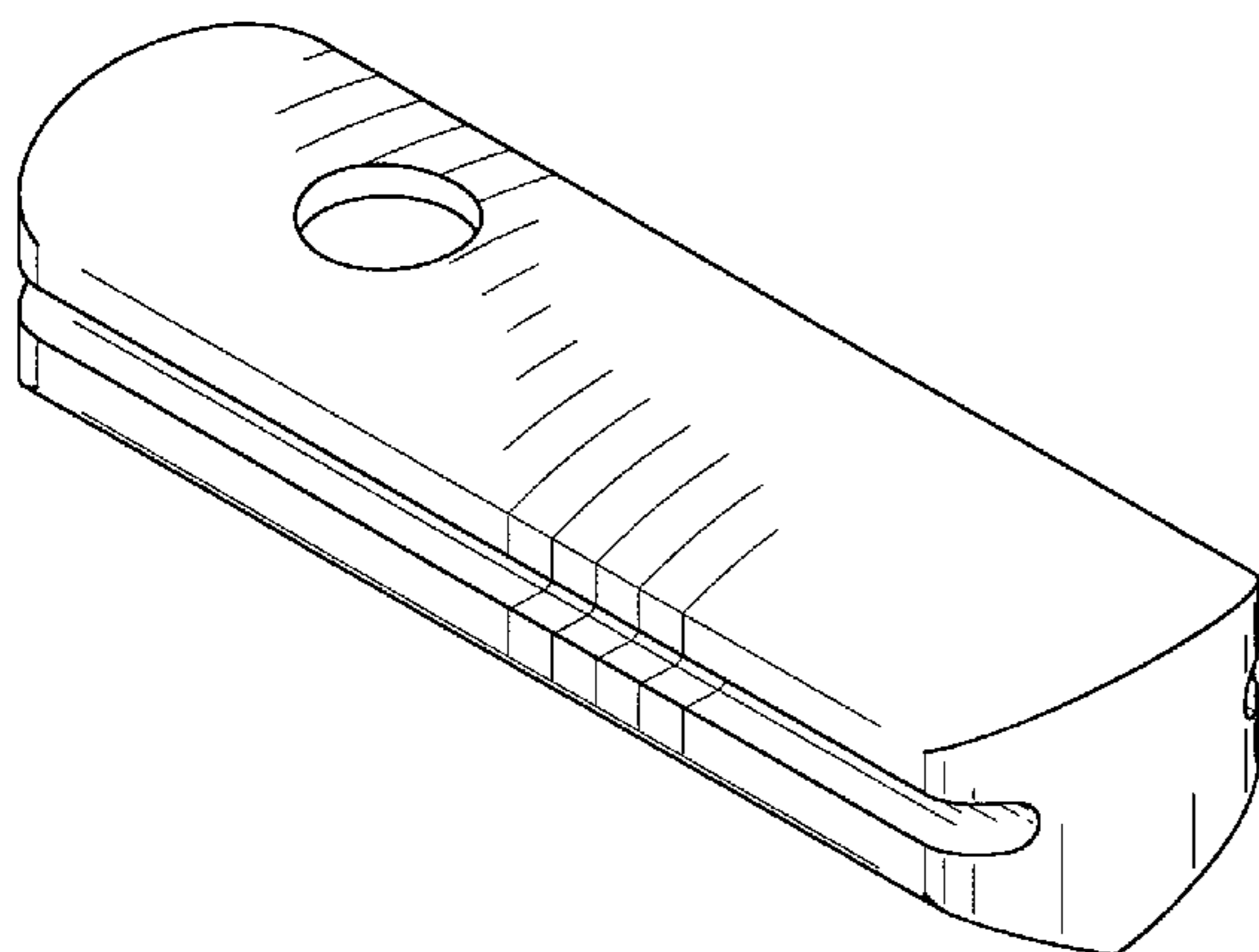
(57) **CLAIM**

The ornamental design for a handle for grill utensils, as shown and described.

**DESCRIPTION**

FIG. 1 is a top right rear perspective view of a handle for grill utensils showing my new design;  
FIG. 2 is a bottom right rear perspective view of a handle for grill utensils showing my new design;  
FIG. 3 is a left side elevation view thereof;  
FIG. 4 is a front elevation view thereof; and,  
FIG. 5 is a top view thereof.

**1 Claim, 2 Drawing Sheets**



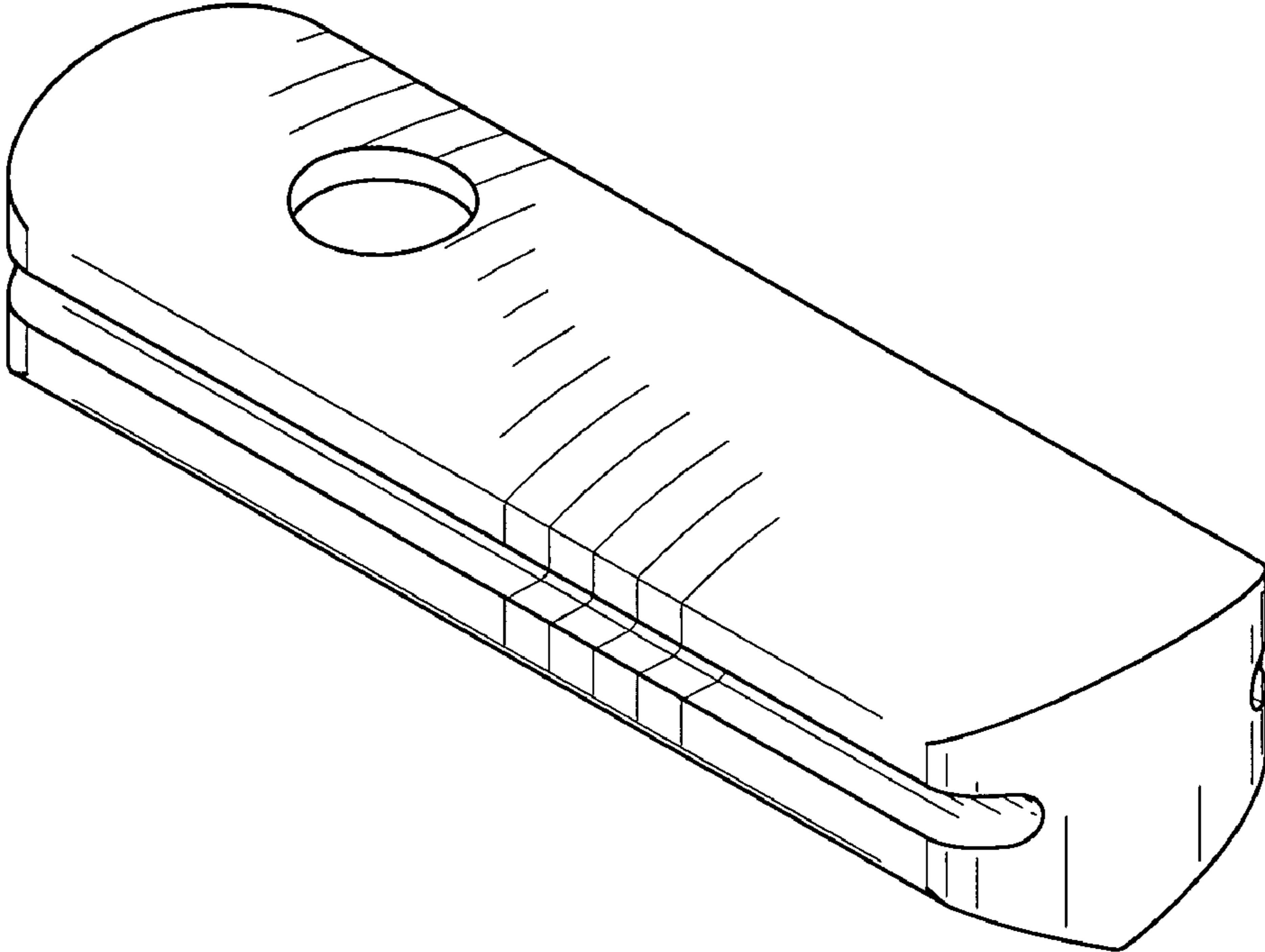


FIG. 1

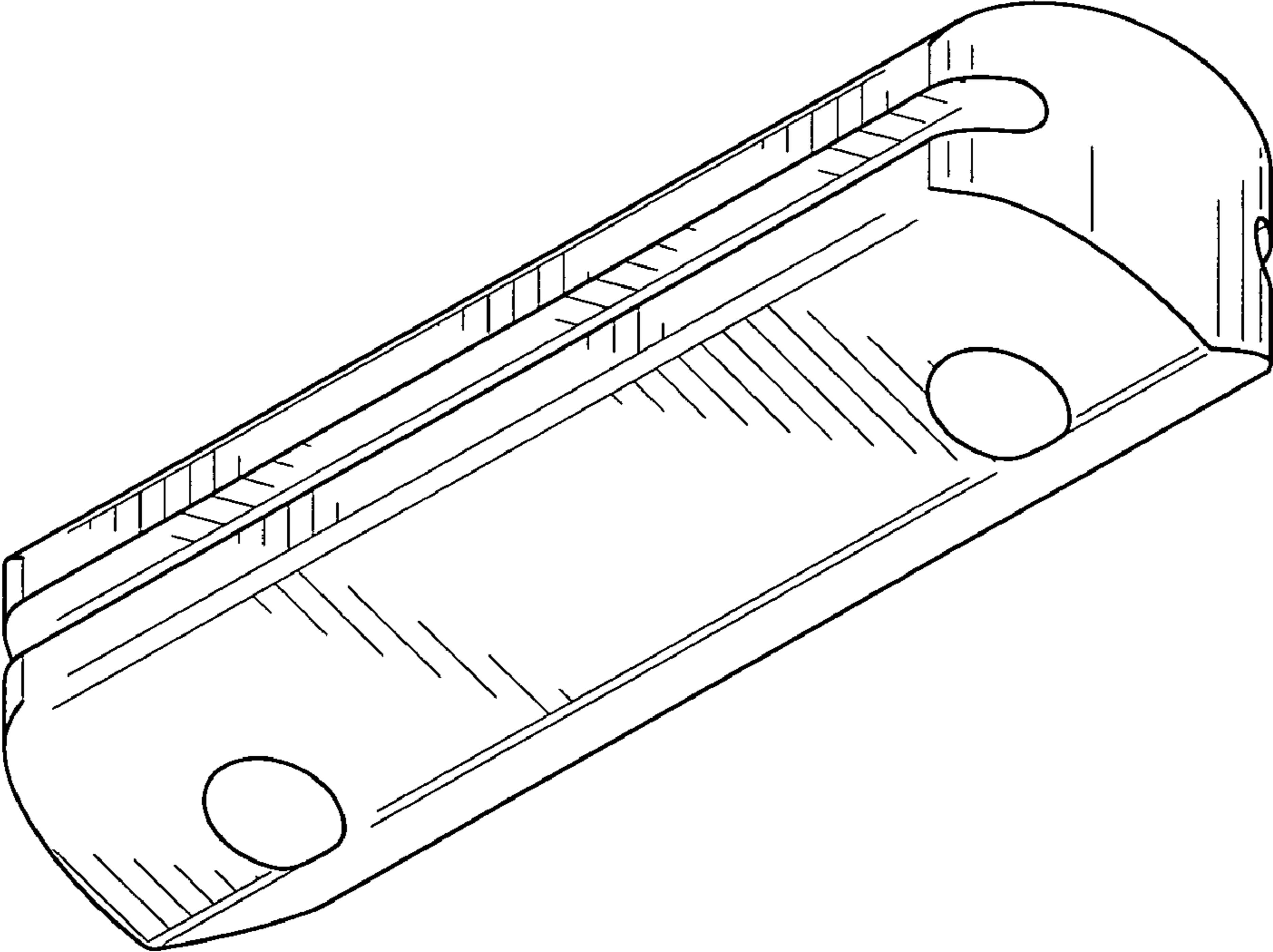


FIG. 2

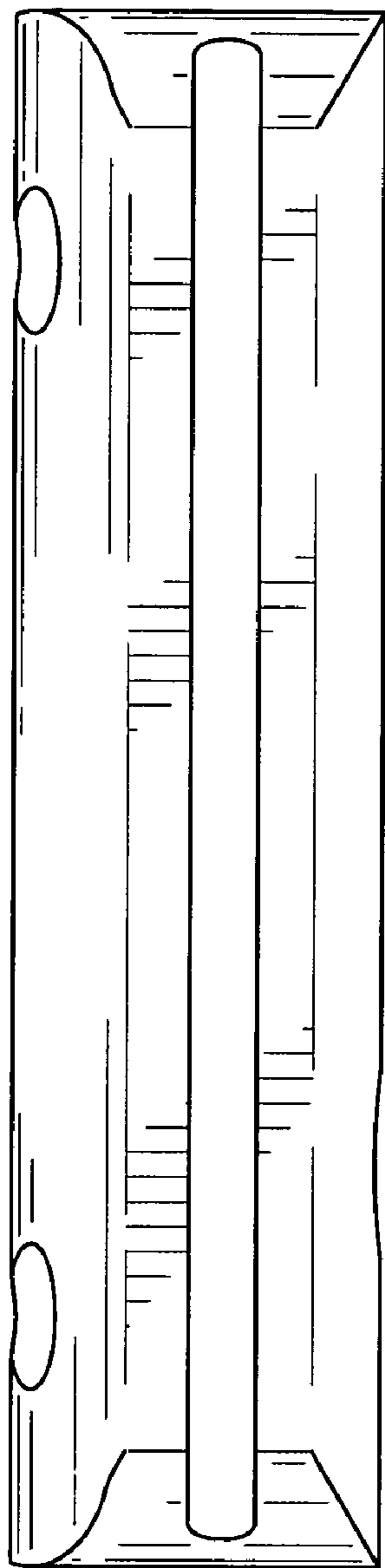


FIG. 3

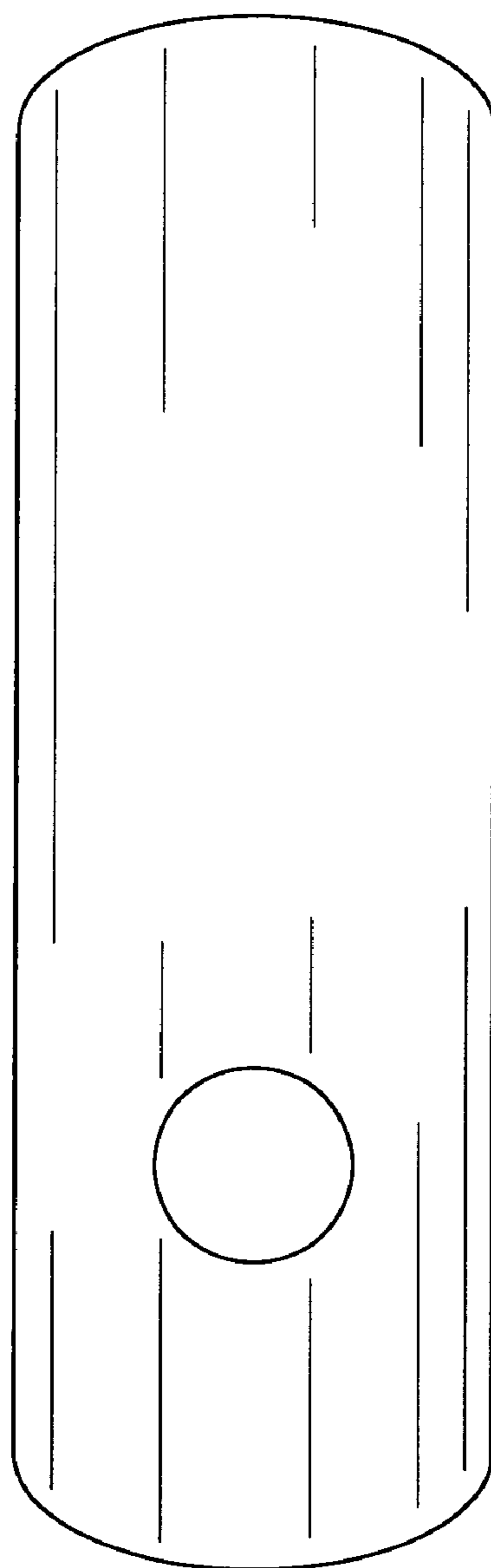


FIG. 5

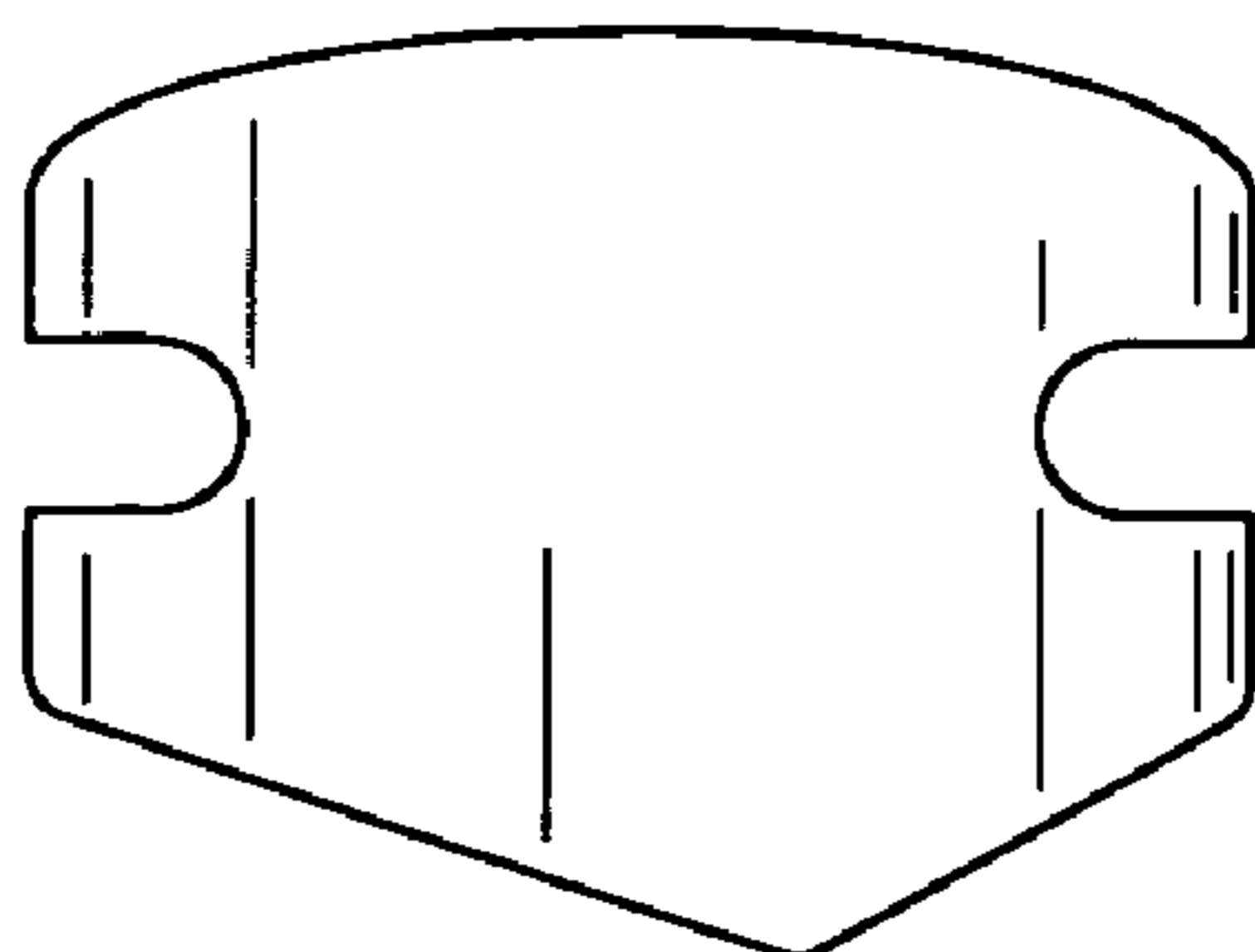


FIG. 4