

US00D663994S

(12) **United States Design Patent**
Lee

(10) **Patent No.:** **US D663,994 S**
(45) **Date of Patent:** **** Jul. 24, 2012**

(54) **FRYING PAN**

(75) Inventor: **Hyun Sam Lee**, Gimhae-si (KR)

(73) Assignee: **HappyCall Co., Ltd.**, Gimhae-si,
Gyeongsangnam-do (KR)

(**) Term: **14 Years**

(21) Appl. No.: **29/411,151**

(22) Filed: **Jan. 17, 2012**

(30) **Foreign Application Priority Data**

Aug. 17, 2011 (KR) 30-2011-0034208

(51) **LOC (9) Cl.** **07-02**

(52) **U.S. Cl.** **D7/352; D7/354**

(58) **Field of Classification Search** D7/323,
D7/328-332, 334-341, 347-348, 350.1, 351-363,
D7/409; 99/324-325, 331, 339-340, 349,
99/353, 358, 369, 372-377, 380-389, 392,
99/422, 444; 219/386, 524-525, 620-622,
219/732-734; 425/293, 346; 426/549

See application file for complete search history.

(56) **References Cited**

U.S. PATENT DOCUMENTS

D240,993 S * 8/1976 Levin D7/352
4,011,431 A * 3/1977 Levin 219/524
D246,149 S * 10/1977 Levin D7/352

D247,539 S * 3/1978 Mizoguchi D7/352
D248,722 S * 8/1978 Tsuji D7/352
D248,813 S * 8/1978 Mizoguchi D7/352
D248,815 S * 8/1978 Mizoguchi D7/409
D249,446 S * 9/1978 Madl et al. D7/352
4,173,179 A * 11/1979 Arthur 99/374
D276,971 S * 1/1985 Potts D7/352
6,619,192 B2 * 9/2003 Lee 99/422
D498,640 S * 11/2004 Kloppsteck et al. D7/361
D542,080 S * 5/2007 Trigiani et al. D7/352

* cited by examiner

Primary Examiner — Ricky Pham

(74) *Attorney, Agent, or Firm* — Lowe Hauptman Ham & Berner, LLP

(57) **CLAIM**

The ornamental design for a frying pan, as shown and described.

DESCRIPTION

FIG. 1 is a perspective view of a frying pan showing my/our new design;
FIG. 2 is a front elevational view thereof;
FIG. 3 is a rear elevational view thereof;
FIG. 4 is a left side elevational view thereof;
FIG. 5 is a right side elevational view thereof;
FIG. 6 is a top plan view thereof;
FIG. 7 is a bottom plan view thereof; and,
FIG. 8 is a reference view showing the frying pan of which the top pan is lifted.

1 Claim, 6 Drawing Sheets

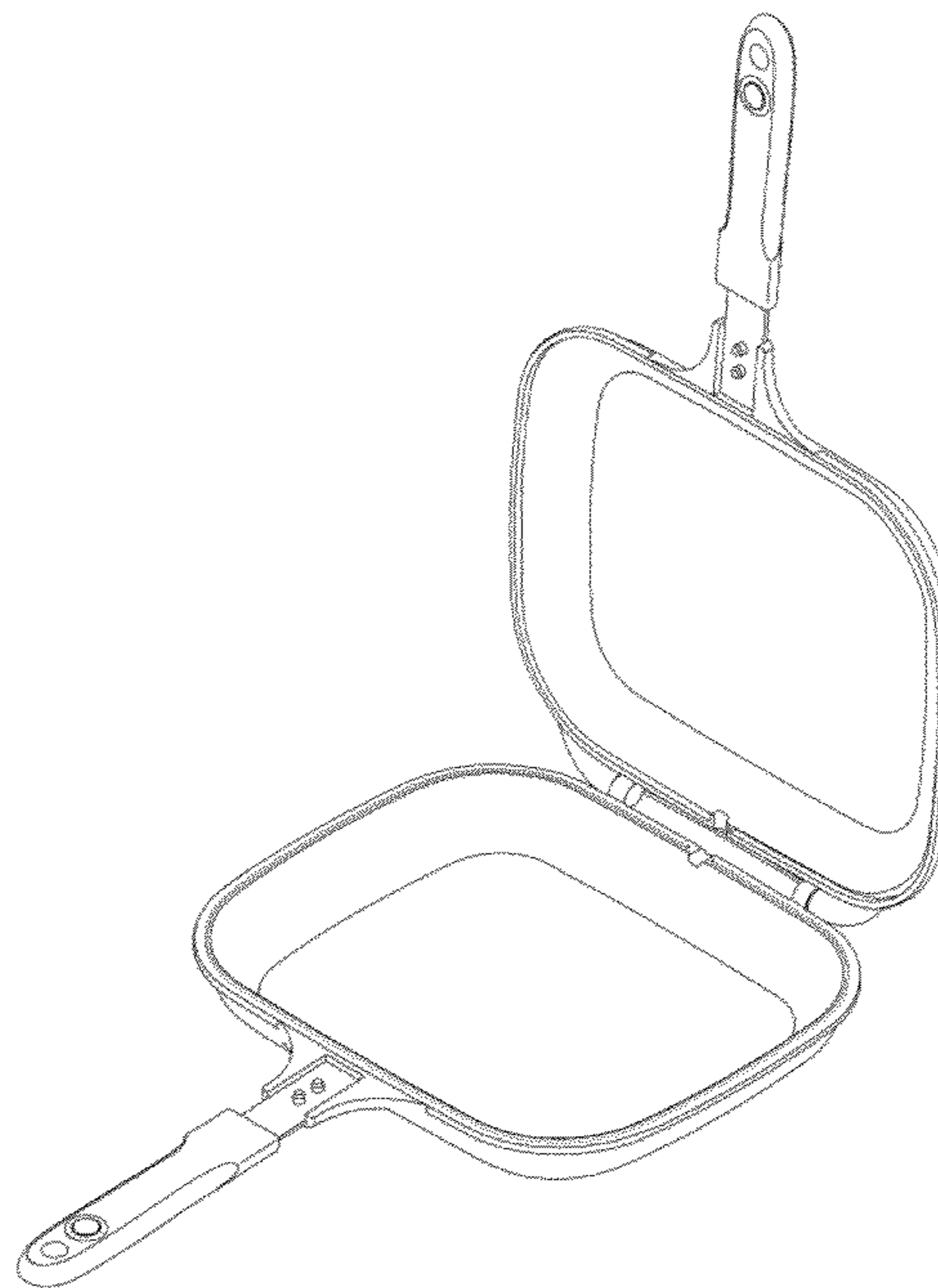
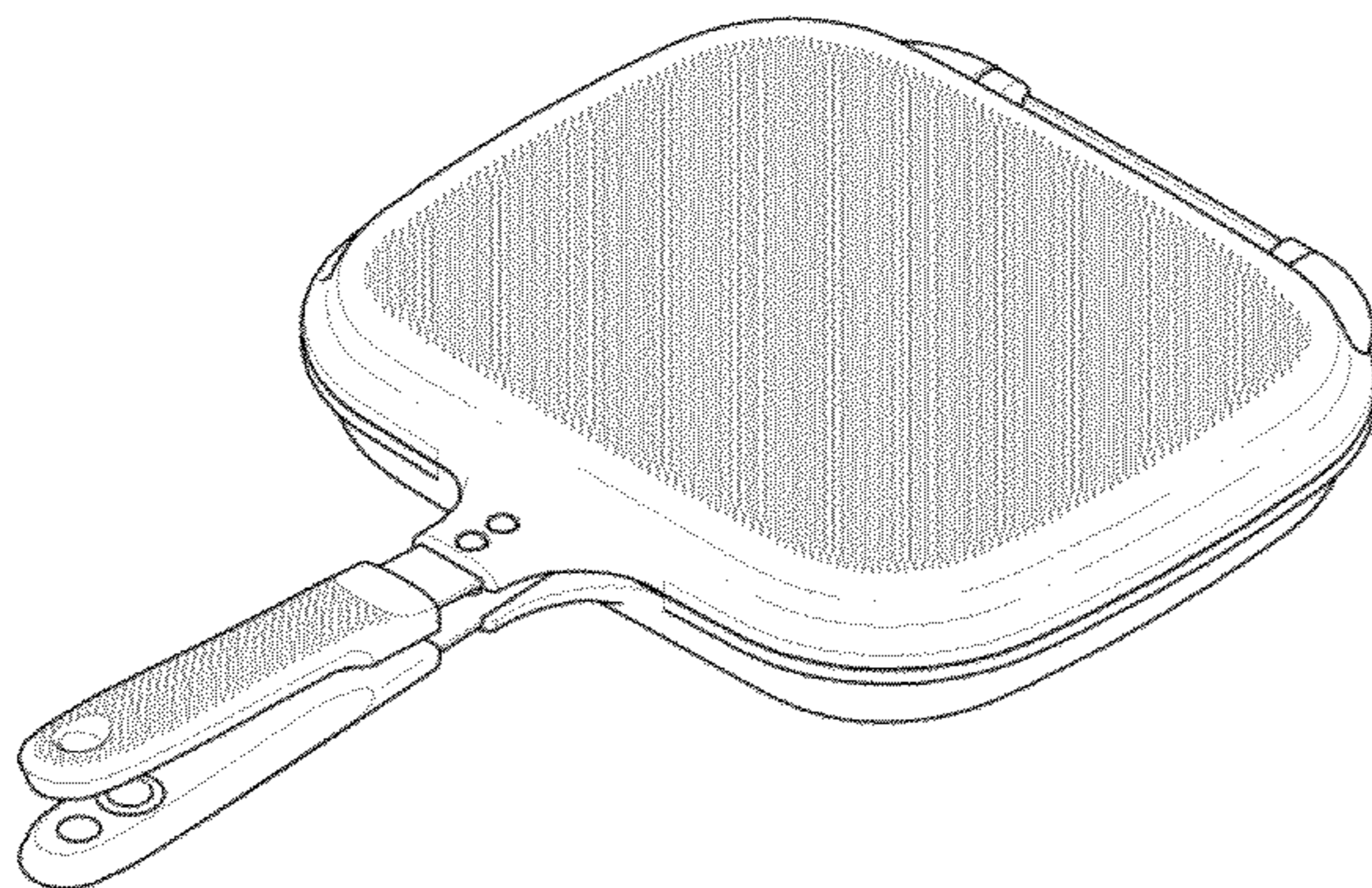


FIG. 1

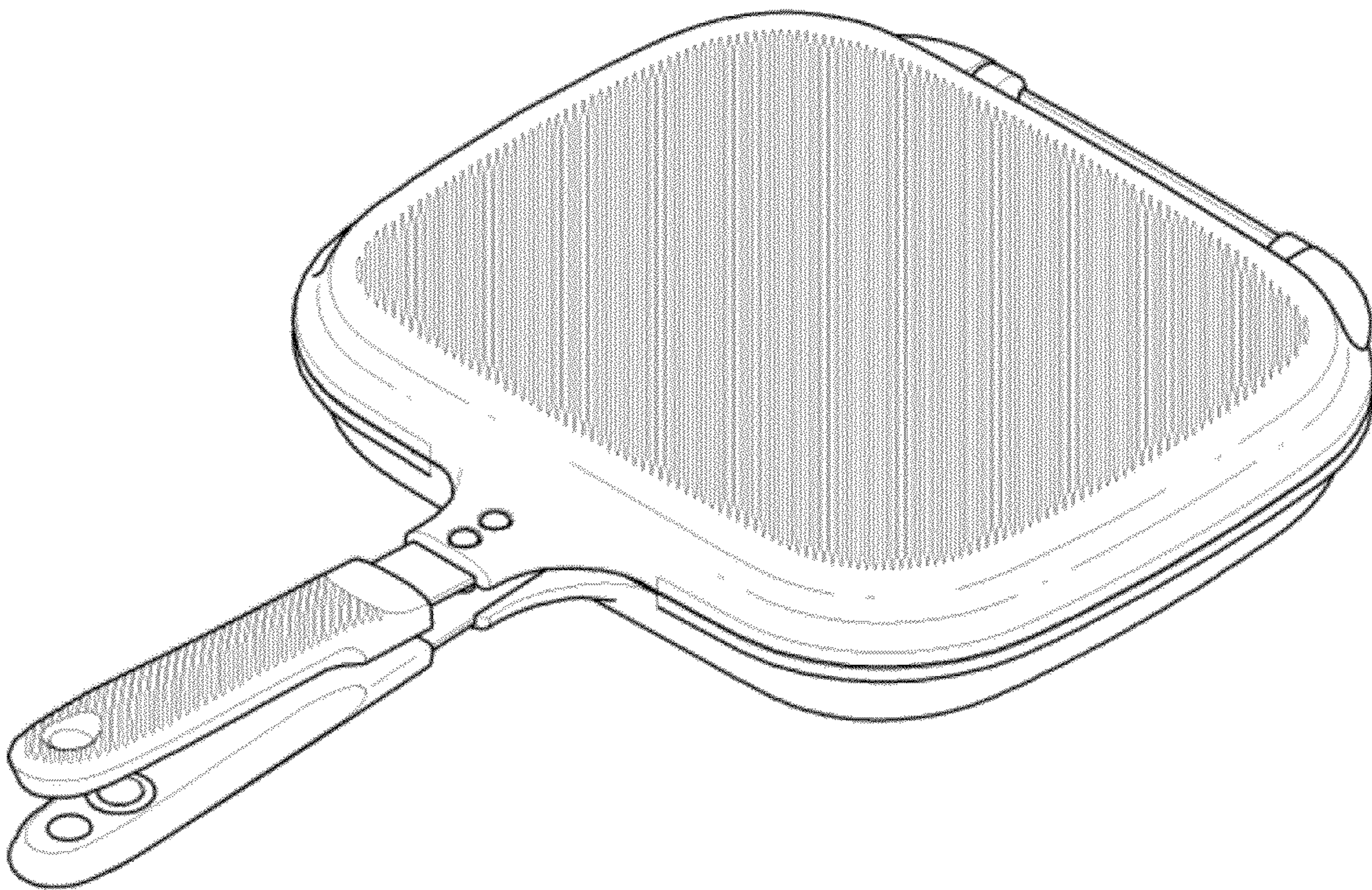


FIG. 2

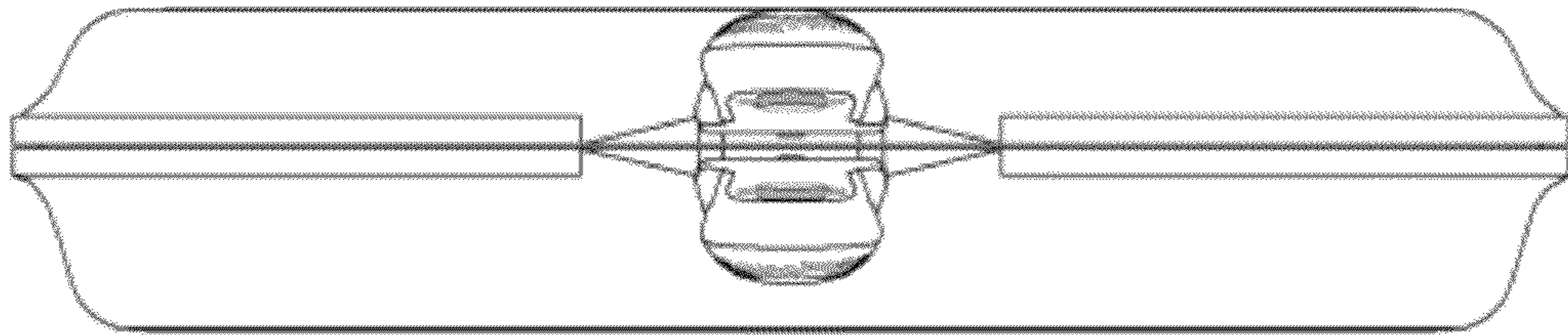


FIG. 3

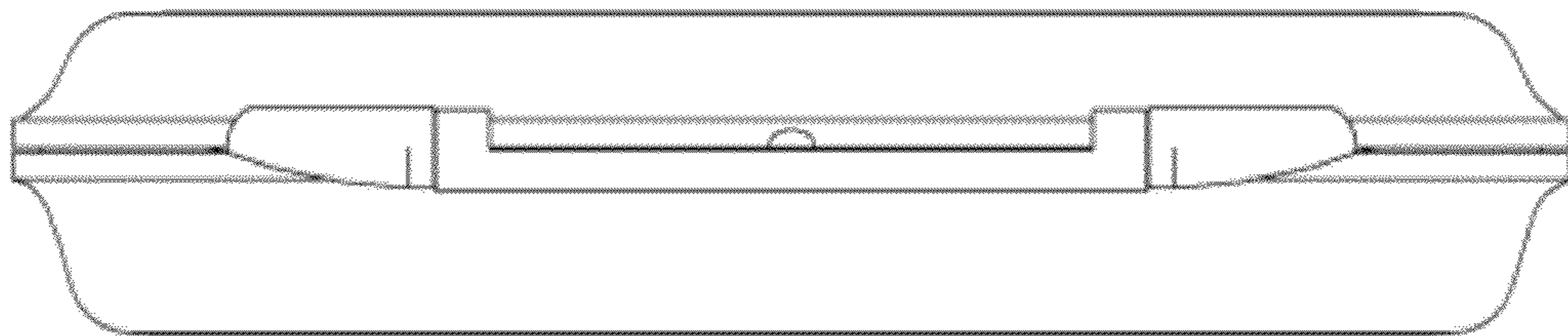


FIG. 4

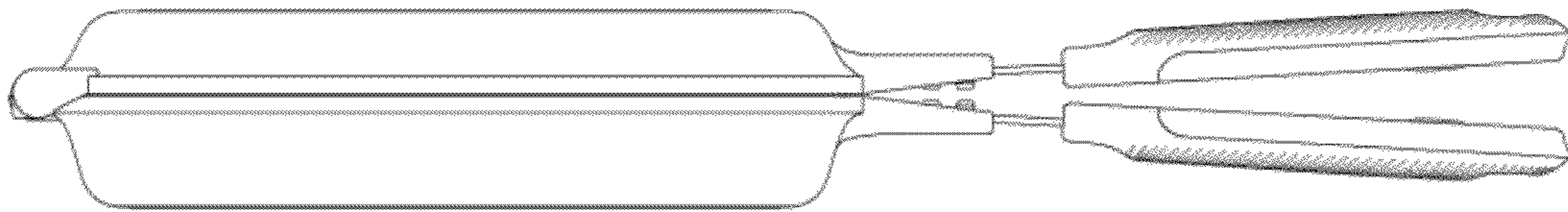


FIG. 5

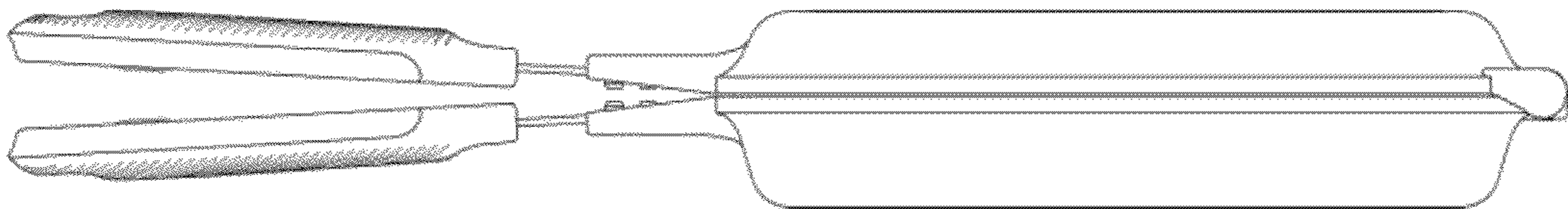


FIG. 6

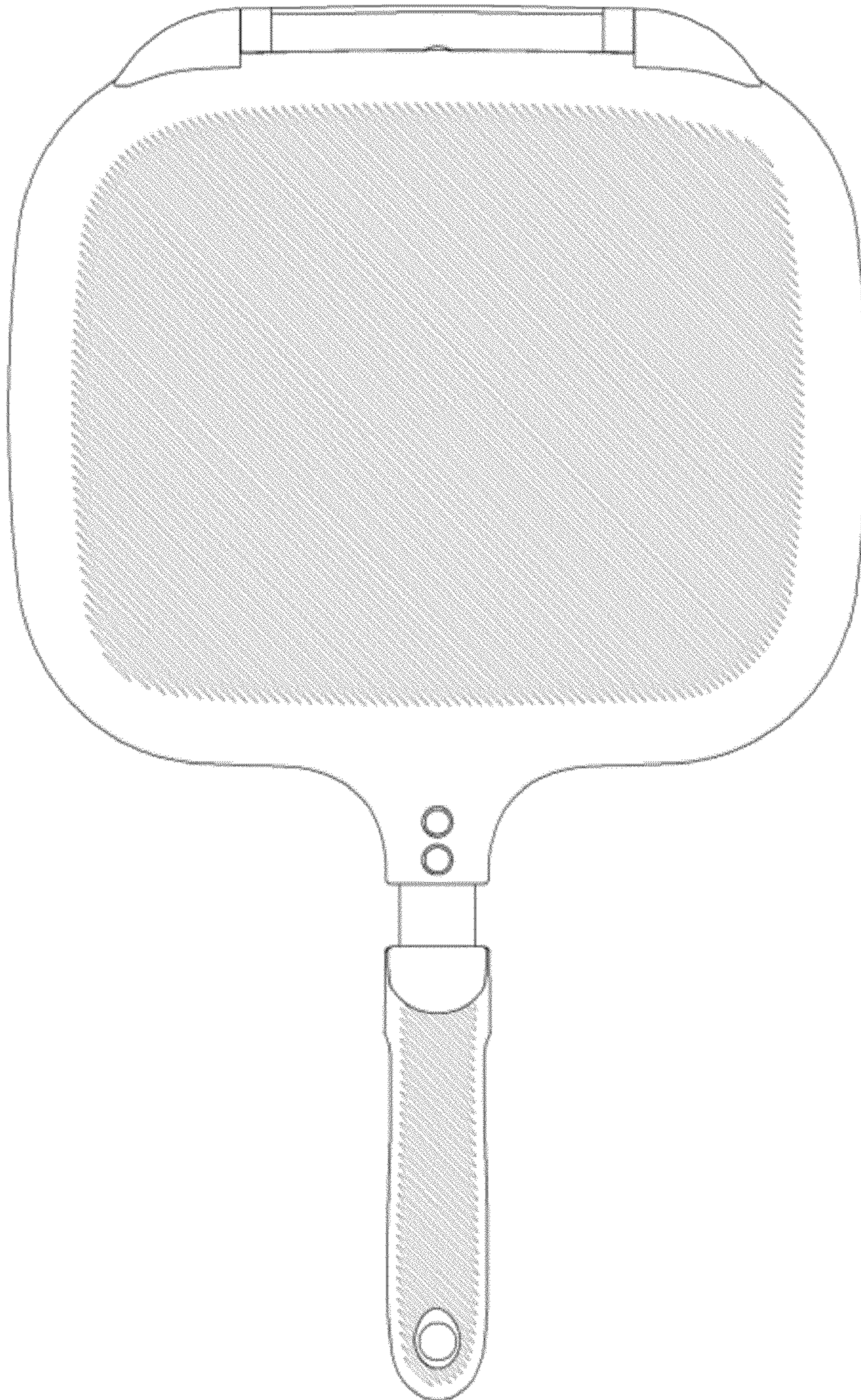


FIG. 7

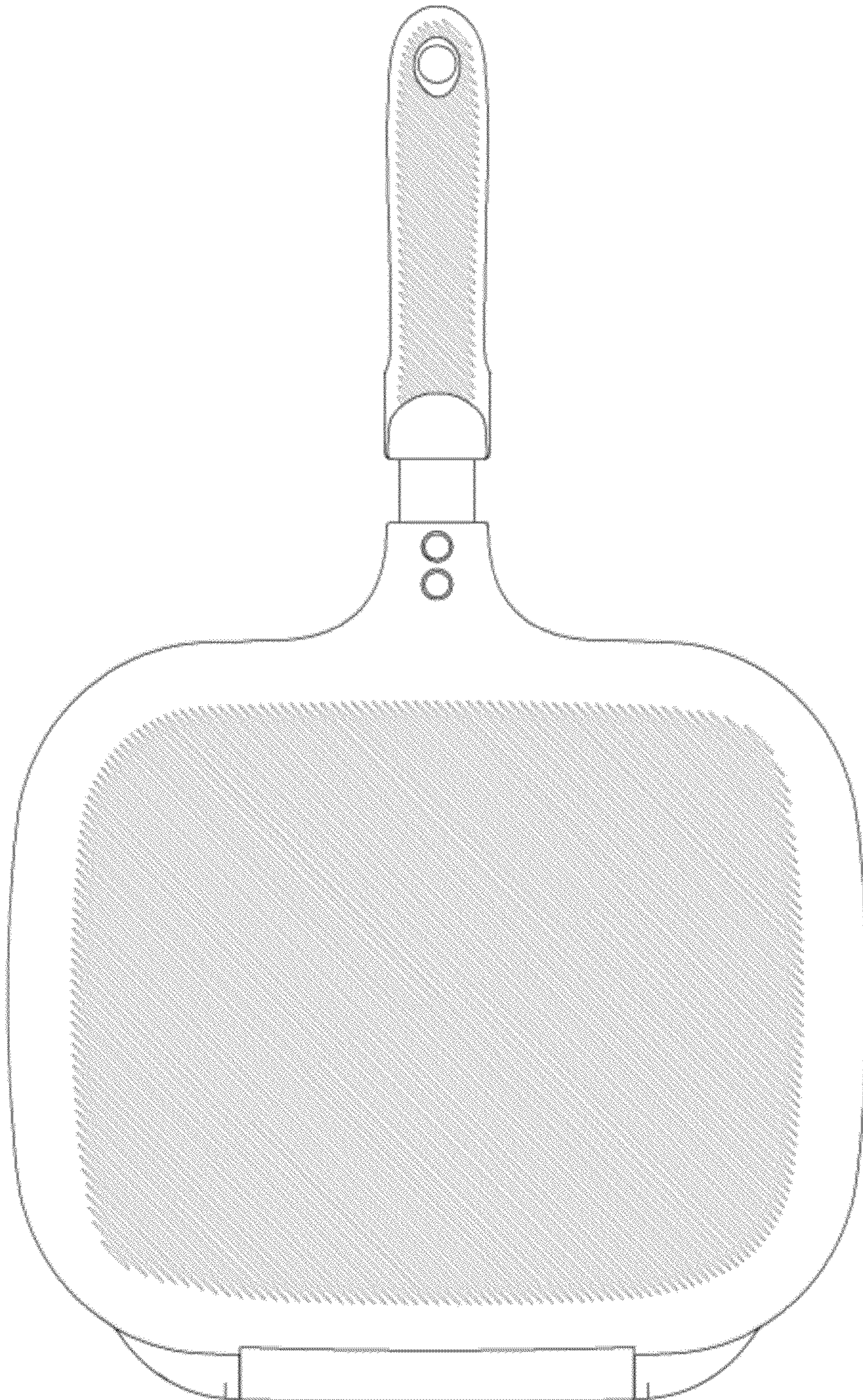


FIG. 8

