



US00D663992S

(12) **United States Design Patent**
Kauer

(10) **Patent No.:** **US D663,992 S**

(45) **Date of Patent:** **** Jul. 24, 2012**

(54) **POPCORN MACHINE**

(75) Inventor: **Frank Kauer**, Kwun Tong (HK)

(73) Assignee: **Frank Kauer**, Kwun Tong (HK)

(**) Term: **14 Years**

(21) Appl. No.: **29/375,543**

(22) Filed: **Sep. 23, 2010**

(51) **LOC (9) Cl.** **31-00**

(52) **U.S. Cl.** **D7/325**

(58) **Field of Classification Search** D7/323–325,
D7/329–332, 339, 346–347, 350.1–350.4,
D7/353–367; D20/1; D21/811; 206/501–505,
206/507–508; 219/400, 405, 429–442, 620–627;
220/203.05, 203.07, 203.09, 298, 315–316,
220/573.1–573.5, 912; 426/101–107, 241–243
See application file for complete search history.

(56) **References Cited**

U.S. PATENT DOCUMENTS

D163,497 S *	5/1951	Waas	D7/325
D177,456 S	4/1956	Altemiller		
4,491,220 A	1/1985	Daviss		
D279,069 S *	6/1985	Goodlaxson	D7/325
D386,231 S *	11/1997	Wei	D21/811
D388,466 S *	12/1997	Yurchak	D20/1
D421,284 S *	2/2000	Huang	D21/811
D447,195 S	8/2001	Wiedner et al.		
D528,346 S *	9/2006	Brekke	D7/325
D552,405 S *	10/2007	Bond	D7/325
D612,189 S	3/2010	Kauer		
D628,428 S *	12/2010	Bond	D7/325
D628,847 S *	12/2010	Liu	D7/325

D632,123 S *	2/2011	Kauer	D7/325
D633,748 S *	3/2011	Haskin	D7/325
D645,292 S *	9/2011	Bond	D7/325
D650,627 S *	12/2011	Kauer	D7/325

OTHER PUBLICATIONS

Frank Kauer, U.S. Appl. No. 29/353,230, filed Jan. 5, 2010.

* cited by examiner

Primary Examiner — Ricky Pham

(74) *Attorney, Agent, or Firm* — Henry B. Ward, III; Moore & Van Allen, PLLC

(57) **CLAIM**

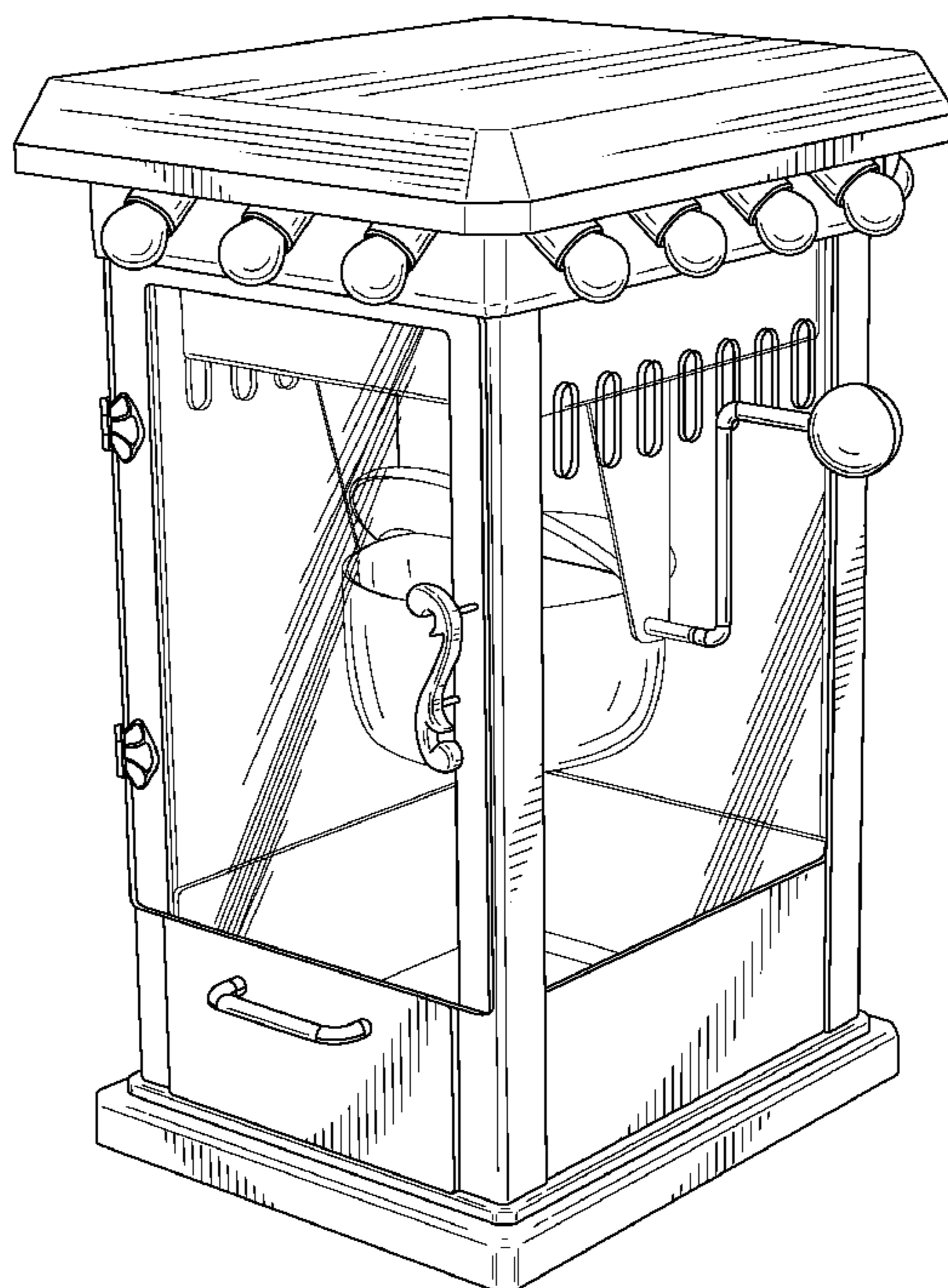
The ornamental design for a popcorn machine, as shown and described.

DESCRIPTION

FIG. 1 is a front, top and right-side-perspective view of a popcorn machine;
FIG. 2 is a front-elevational view thereof;
FIG. 3 is a rear-elevational view thereof;
FIG. 4 is a right side-elevational view thereof;
FIG. 5 is a left-side-elevational view thereof;
FIG. 6 is a top-plan view thereof; and,
FIG. 7 is a bottom-plan view thereof.

The broken lines shown in the drawings are shown for illustrative purposes only and form no part of the claimed design. In addition, the surface shading, if any, illustrated in the drawings is provided merely to highlight the contour of the design; it is not intended to be illustrative of texture or gloss.

1 Claim, 7 Drawing Sheets



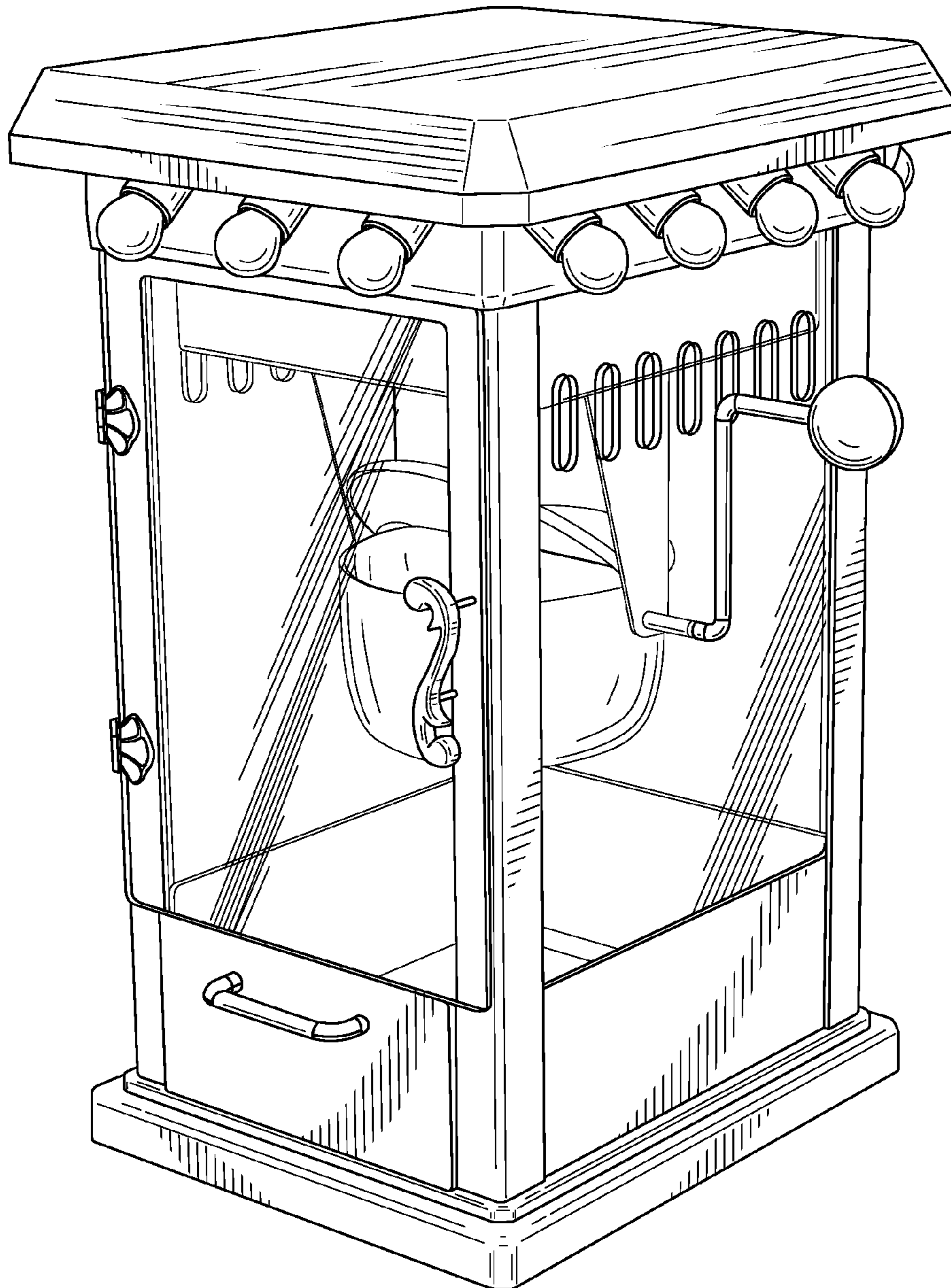


FIG. 1

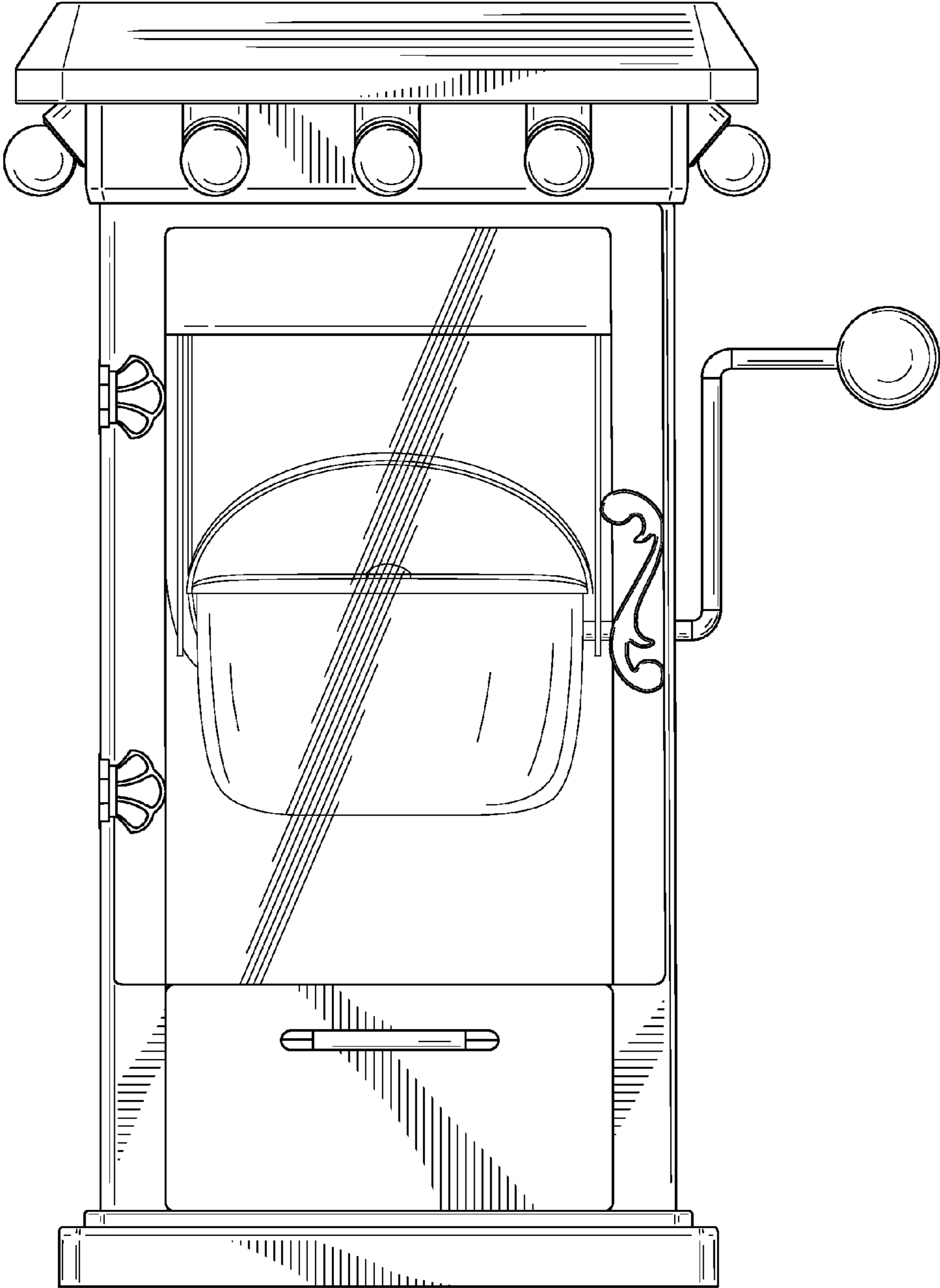


FIG. 2

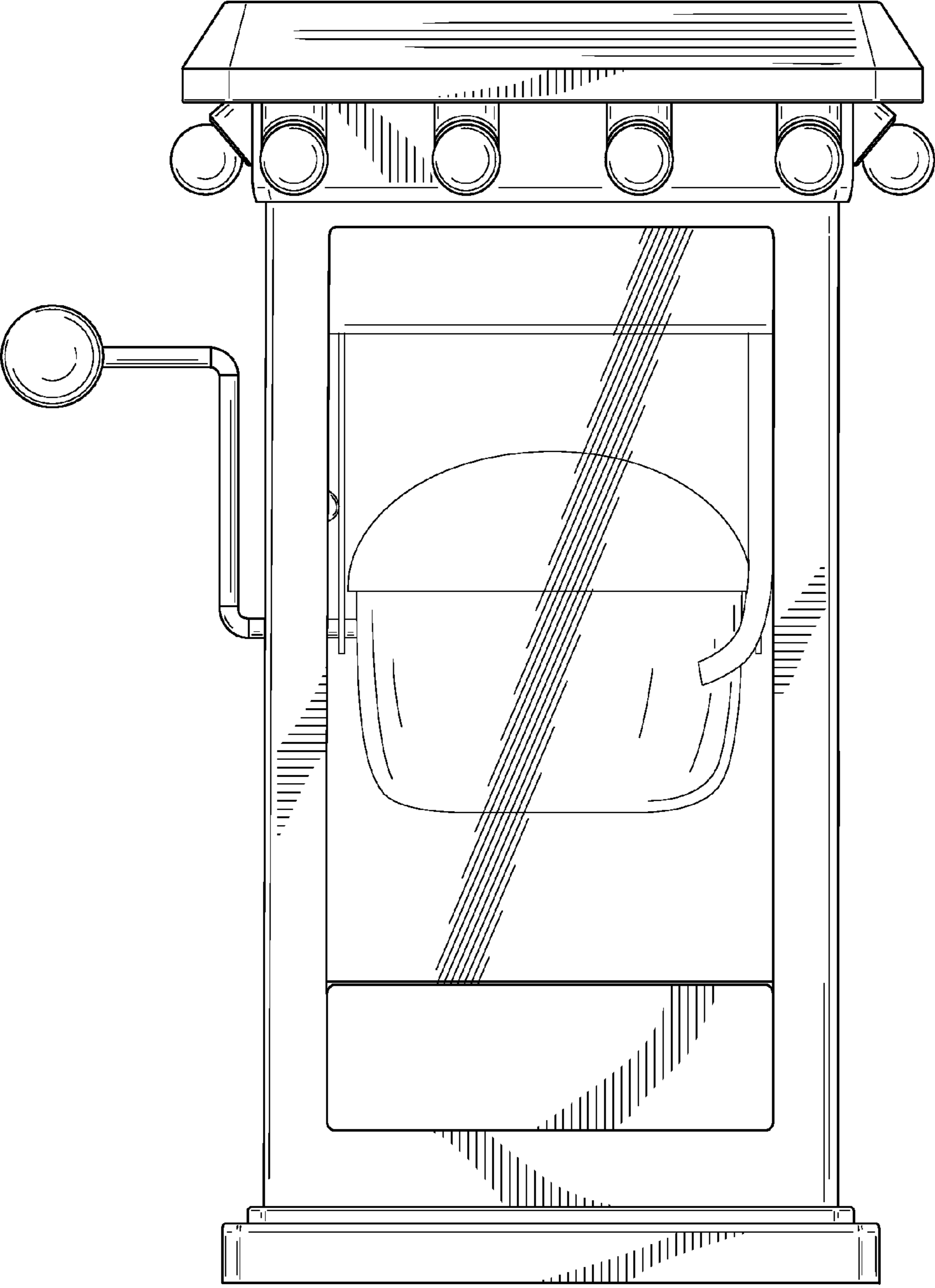


FIG. 3

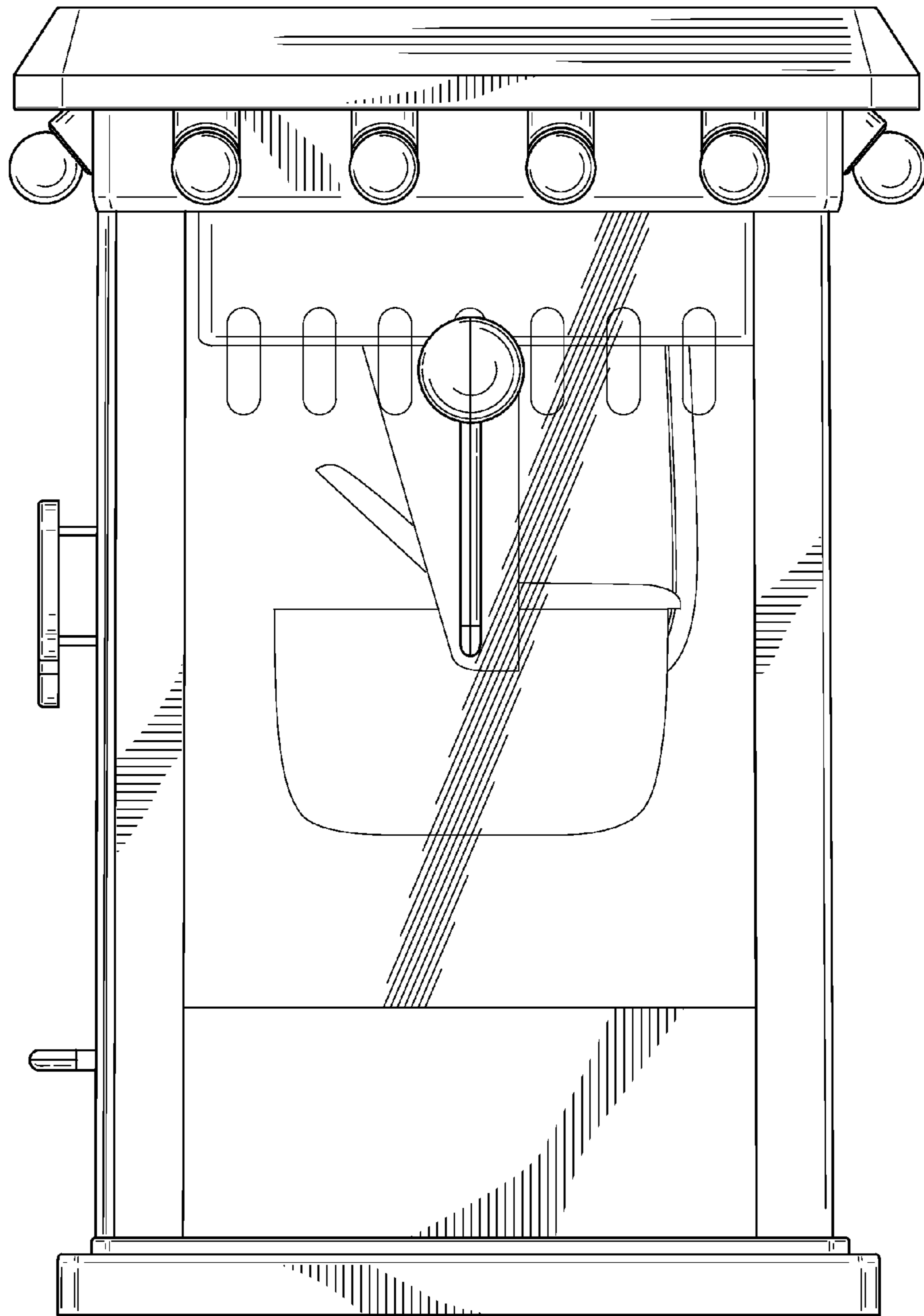


FIG. 4

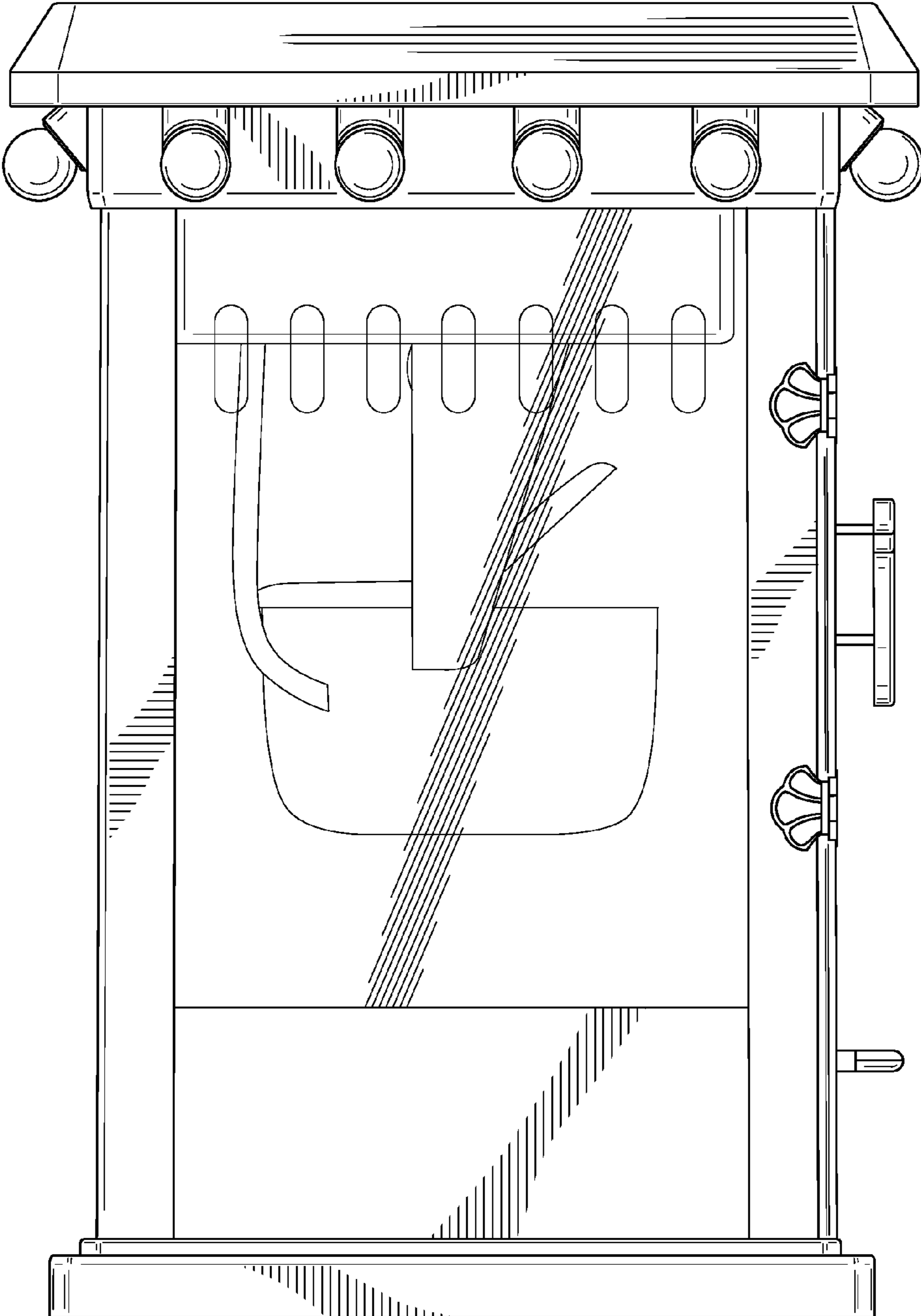


FIG. 5

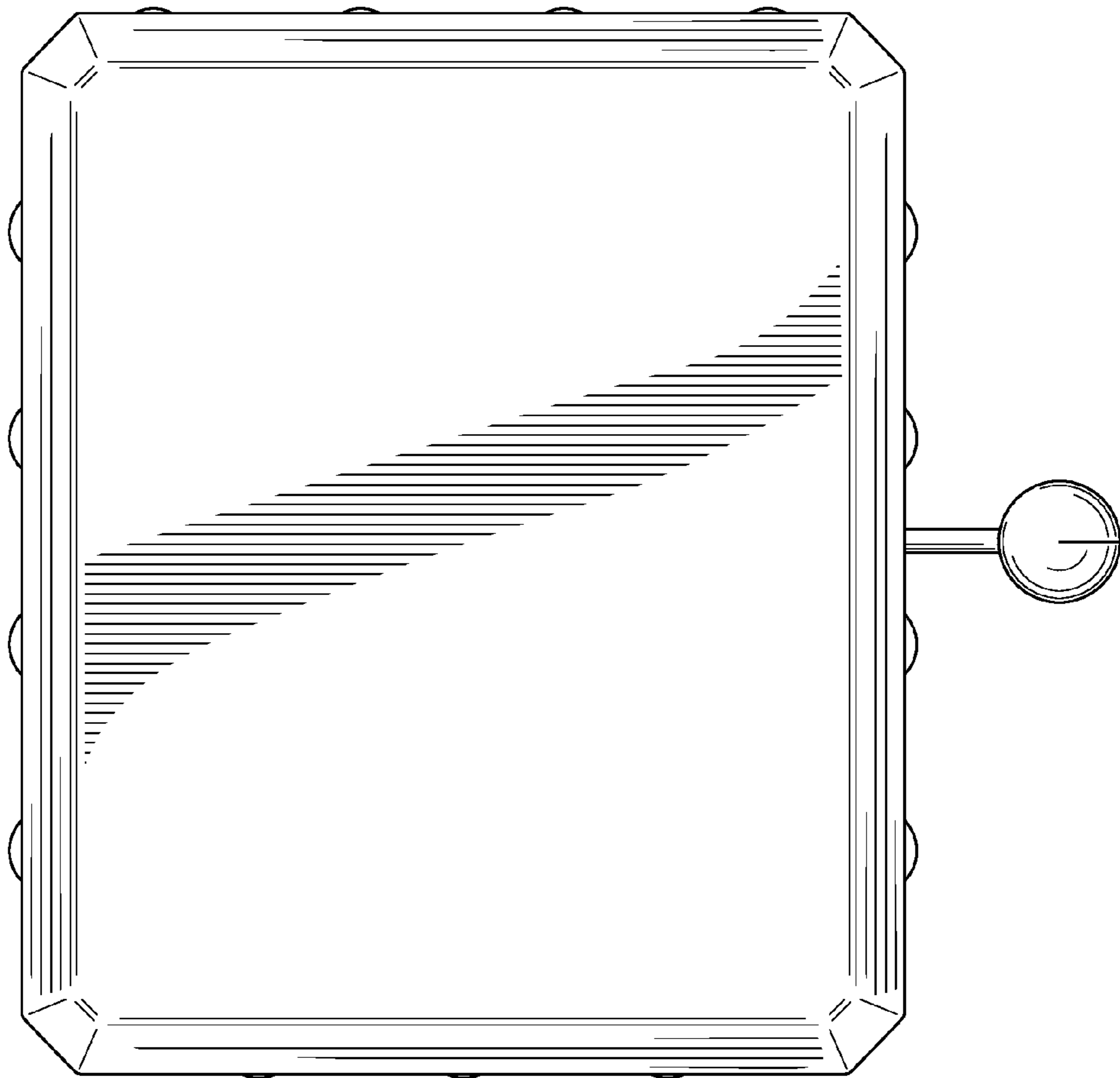


FIG. 6

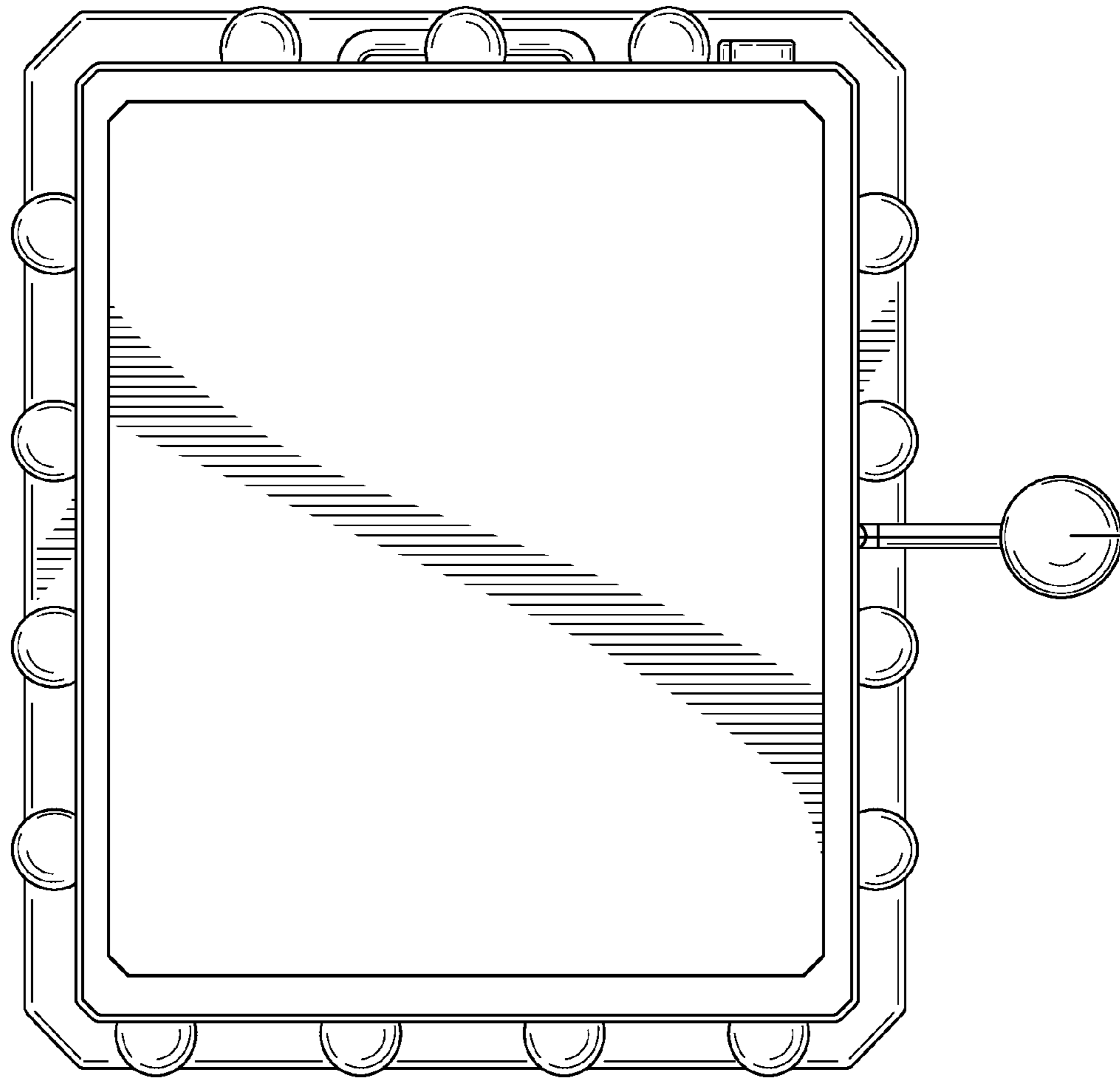


FIG. 7