

US00D663985S

(12) **United States Design Patent**  
**Herrera Rodriguez**

(10) **Patent No.:** **US D663,985 S**

(45) **Date of Patent:** **\*\* Jul. 24, 2012**

(54) **MOP AND BROOM HOLDER**

(56) **References Cited**

(76) Inventor: **Jaime Francisco Herrera Rodriguez,**  
Piedras Negras (MX)

(\*\*) Term: **14 Years**

(21) Appl. No.: **29/417,846**

(22) Filed: **Apr. 10, 2012**

U.S. PATENT DOCUMENTS

1,594,714	A *	8/1926	Eustis et al.	211/123
1,972,282	A *	9/1934	Wittstein	211/123
D255,716	S *	7/1980	Giesa	D24/199
D607,519	S *	1/2010	Calvin	D21/662
D651,670	S *	1/2012	Calvin	D21/662

\* cited by examiner

*Primary Examiner* — Brian N Vinson

(57) **CLAIM**

An ornamental design for a mop and broom holder, as shown and described.

**DESCRIPTION**

FIG. 1 is a right side frontal perspective view of the mop and broom holder showing my new design.  
 FIG. 2 is a frontal view of FIG. 1.  
 FIG. 3 is a right side elevation view of FIG. 1.  
 FIG. 4 is a back view of FIG. 1.  
 FIG. 5 is a left side elevation view of FIG. 1.  
 FIG. 6 is a top view of FIG. 1.  
 FIG. 7 is a bottom view of FIG. 1; and,  
 FIG. 8 is a right side frontal environmental perspective view of the mop and broom holder.  
 The broken lines in FIG. 8 are for the purpose of illustration and form no part of the claimed invention.

**Related U.S. Application Data**

(62) Division of application No. 29/398,600, filed on Aug. 2, 2011, now Pat. No. Des. 660,063.

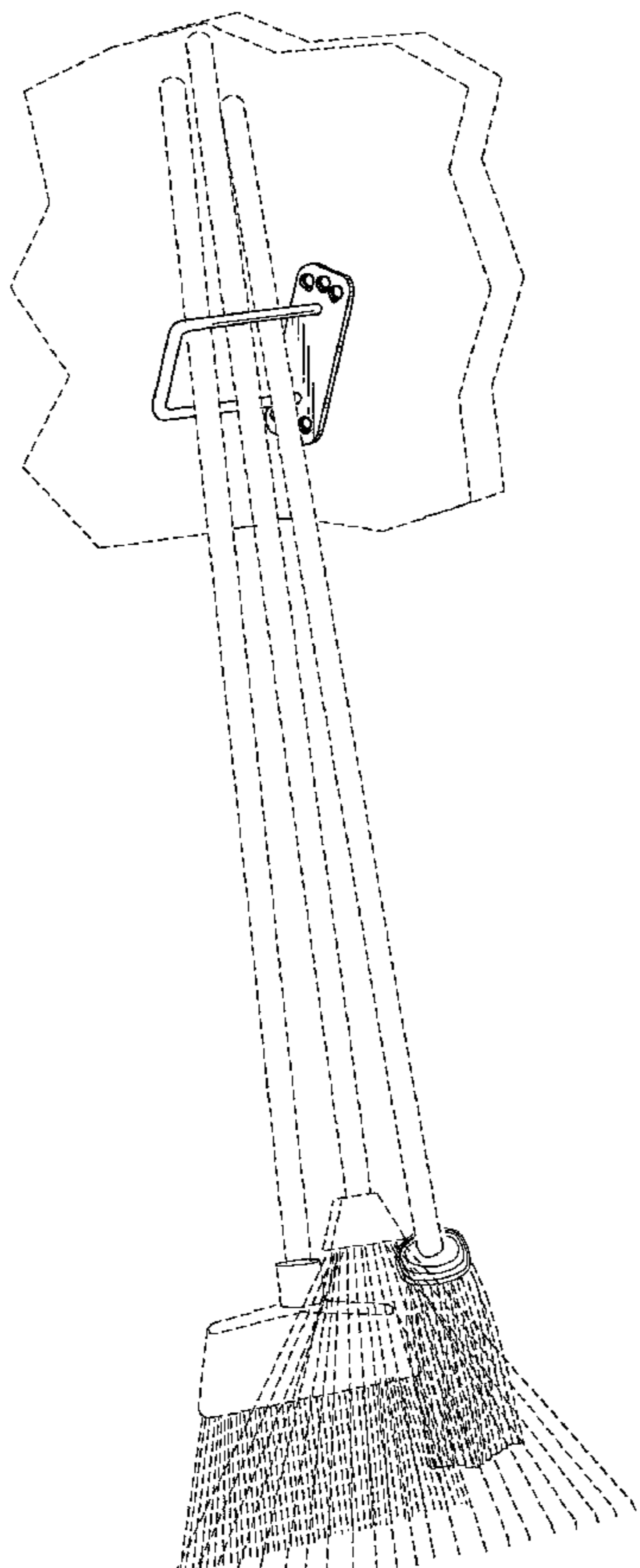
(51) **LOC (9) Cl.** ..... **06-04**

(52) **U.S. Cl.** ..... **D6/566**

(58) **Field of Classification Search** ..... D21/662,  
 D21/694; D6/524, 546, 549; D12/406, 412;  
 482/93, 121, 122, 124, 125, 126, 127, 128,  
 482/129; 211/16, 123, 88.04, 87.01, 99,  
 211/13.1, 181.1; D24/199; D8/300, 301,  
 D8/315, 316, 318, 320; D3/318, 328; 16/412

See application file for complete search history.

**1 Claim, 3 Drawing Sheets**



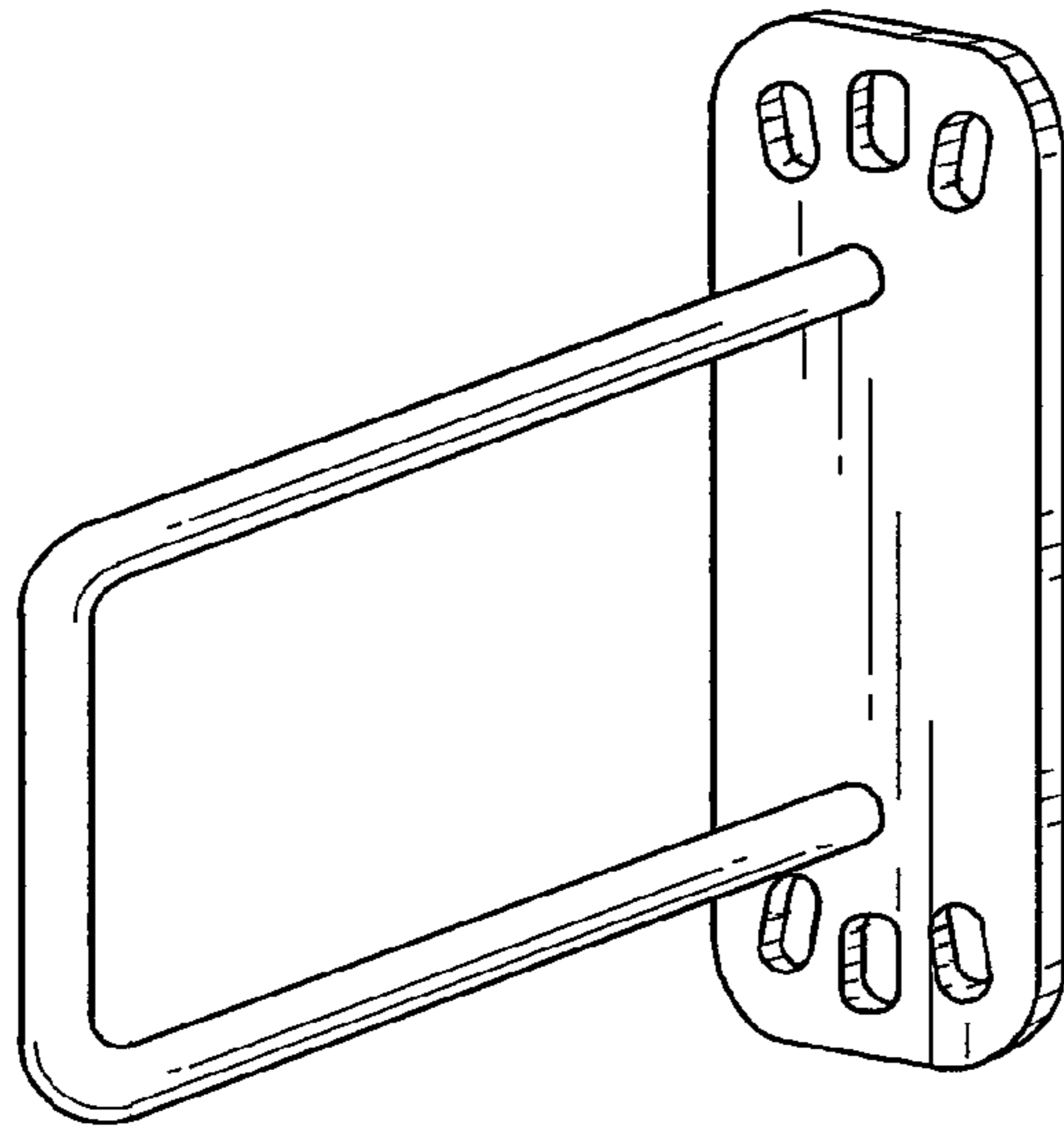


Fig. 1

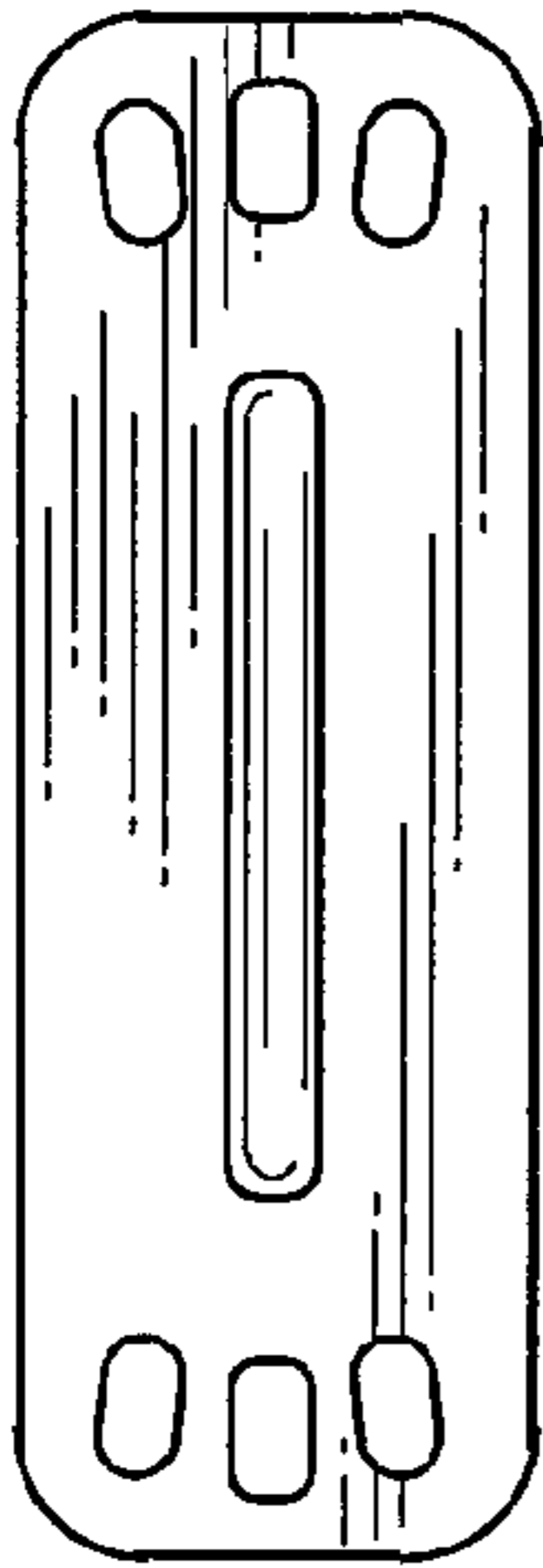


Fig. 2

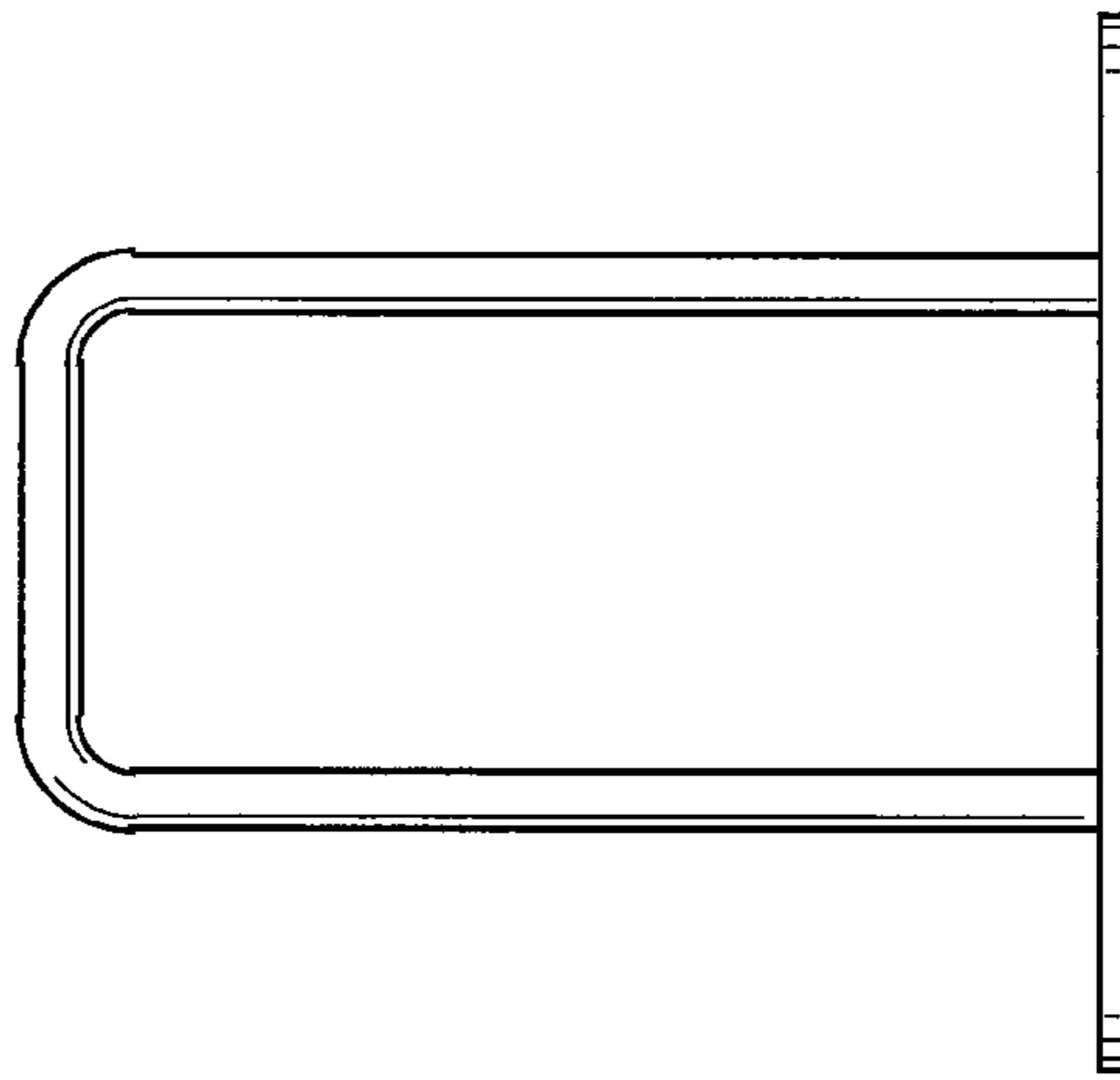
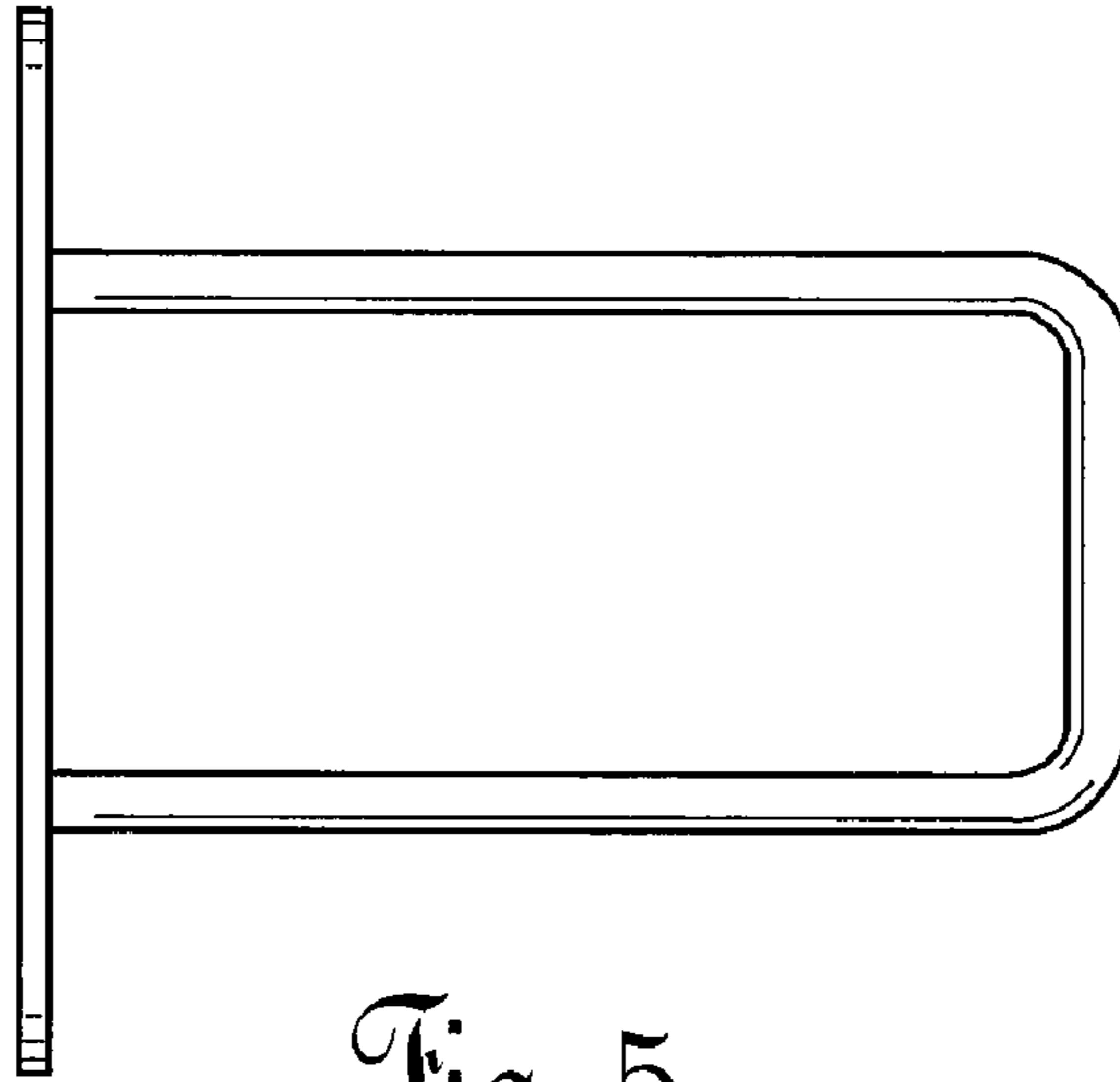


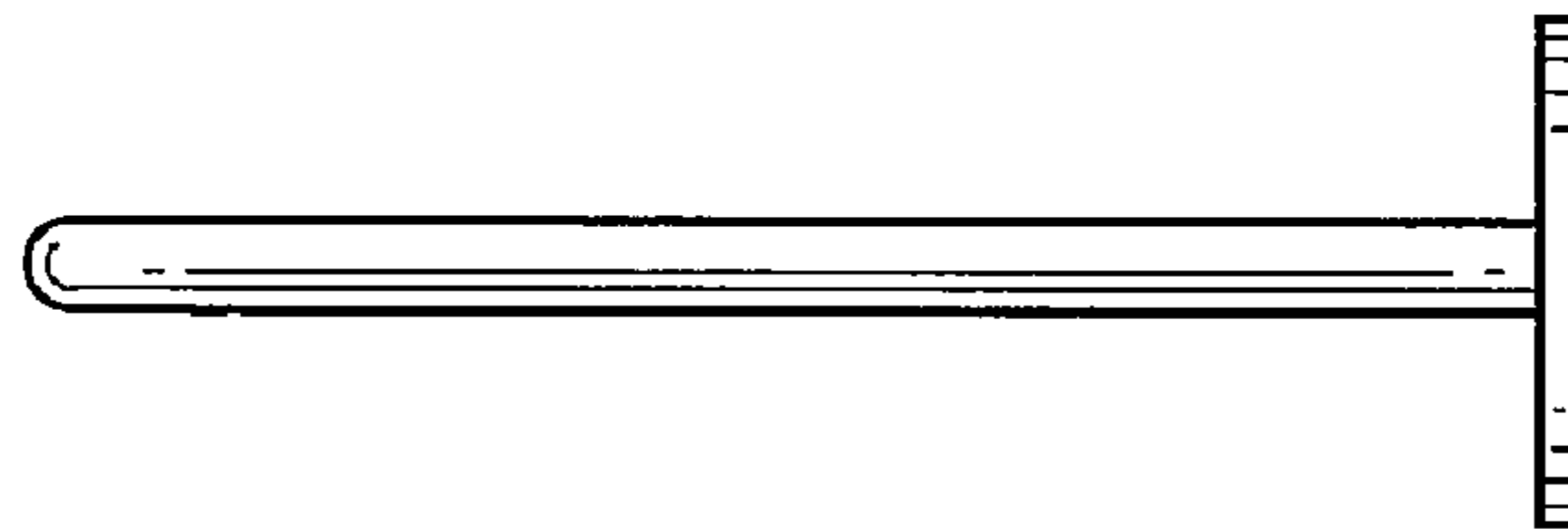
Fig. 3



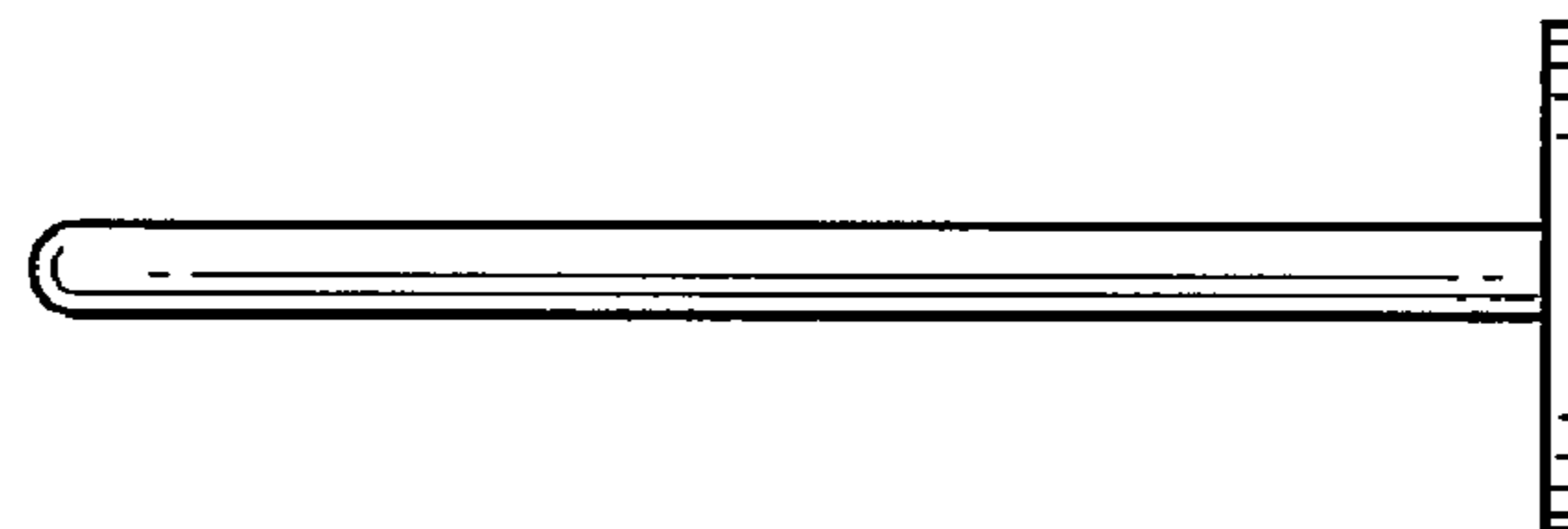
Fig. 4



*Fig. 5*



*Fig. 6*



*Fig. 7*

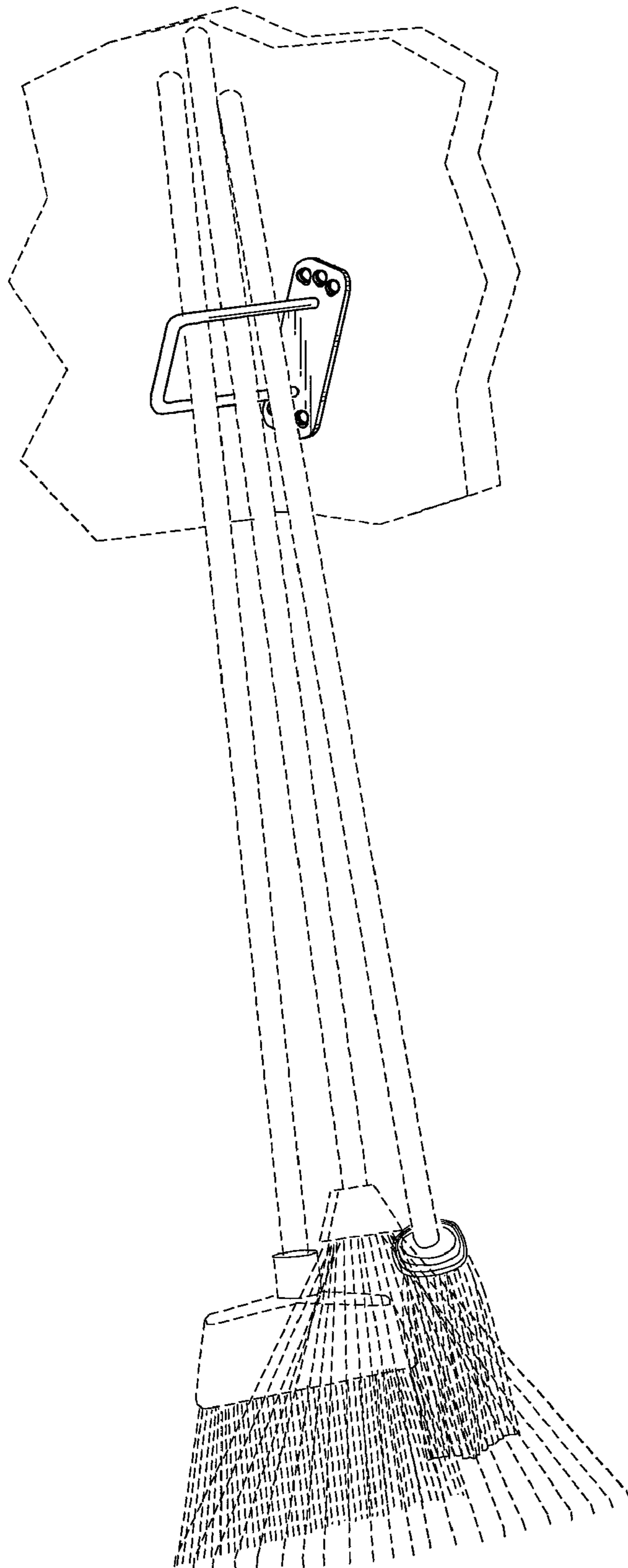


Fig. 8