

US00D663984S

(12) **United States Design Patent**  
**Fritz et al.**

(10) **Patent No.:** **US D663,984 S**

(45) **Date of Patent:** **\*\* Jul. 24, 2012**

(54) **TOWEL RING**

(75) Inventors: **Seth Fritz**, Carmel, IN (US); **Celine Kwok**, Carmel, IN (US)

(73) Assignee: **Masco Corporation or Indiana**, Indianapolis, IN (US)

(\*\*) Term: **14 Years**

(21) Appl. No.: **29/400,483**

(22) Filed: **Aug. 29, 2011**

(51) **LOC (9) Cl.** ..... **06-04**

(52) **U.S. Cl.** ..... **D6/546**

(58) **Field of Classification Search** ..... D6/518-524,  
D6/546-550; D8/300, 370, 315; 108/28-29;  
211/13.1, 16, 85.5, 86.01, 87.01, 88.04, 100,  
211/105.1, 105.2, 106, 113, 123, 181.1, 182-183;  
248/49, 175, 176.1, 200, 201, 205.1, 251,  
248/302, 309.1, 315; 242/570, 590, 595-598

See application file for complete search history.

(56) **References Cited**

U.S. PATENT DOCUMENTS

6,305,558	B1 *	10/2001	Bates	.....	211/105.1
D460,650	S *	7/2002	Snell	.....	D6/523
D521,292	S *	5/2006	Ferrer Beltran	.....	D6/546
D523,273	S *	6/2006	Ferrer Beltran	.....	D6/546
7,322,551	B2 *	1/2008	Simonsen	.....	248/231.81
D571,137	S *	6/2008	Ricereto	.....	D6/546

\* cited by examiner

*Primary Examiner* — Brian N Vinson

(74) *Attorney, Agent, or Firm* — Edgar A. Zarins; Nirav D. Parikh; Lora J. Graentzdoerffer

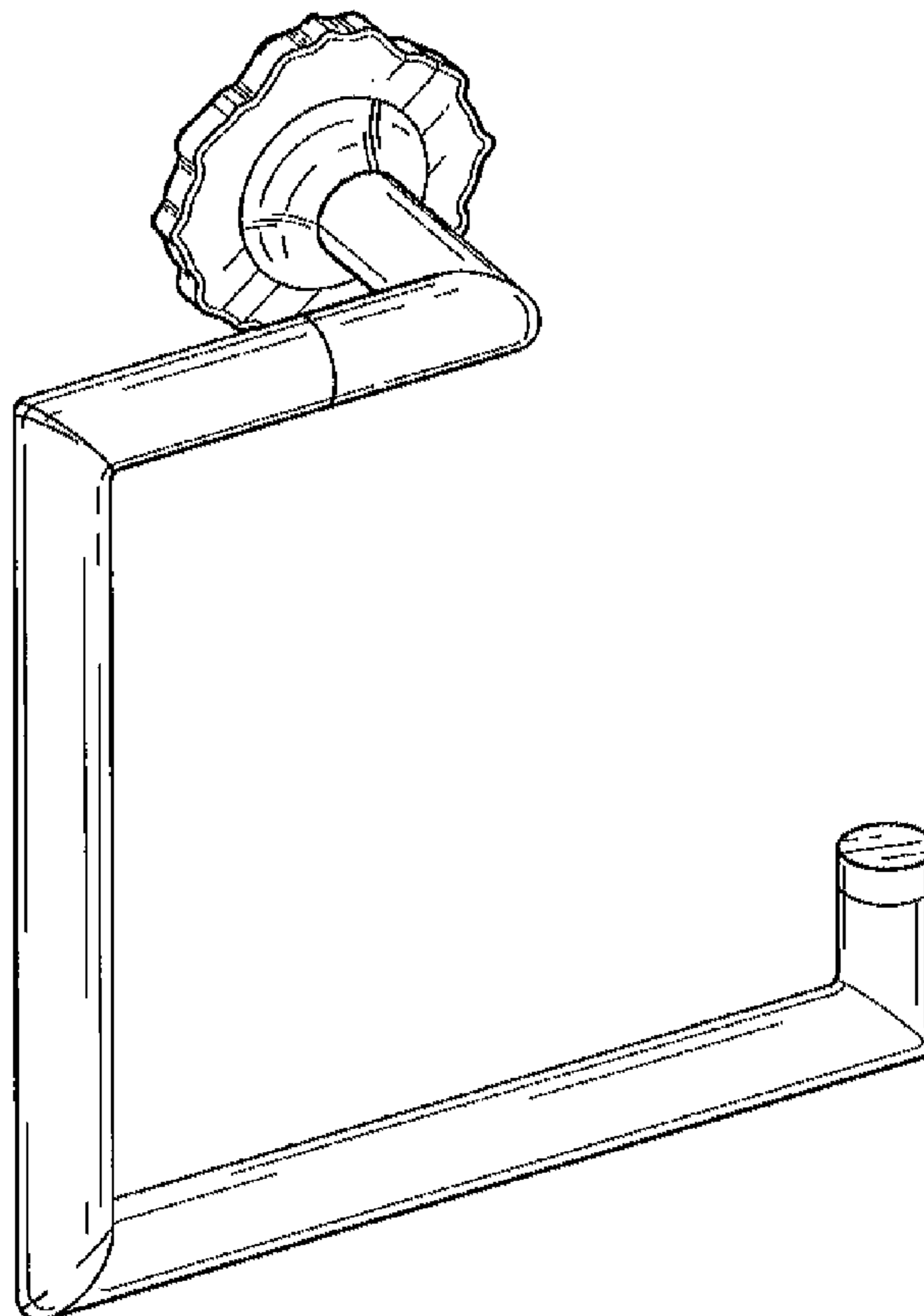
(57) **CLAIM**

The ornamental design for a towel ring, as shown and described.

**DESCRIPTION**

FIG. 1 is a perspective view of a towel ring showing our new design;  
FIG. 2 is a front elevational view thereof;  
FIG. 3 is a left side view thereof;  
FIG. 4 is a right side view thereof;  
FIG. 5 is a top plan view thereof; and,  
FIG. 6 is a bottom view thereof.

**1 Claim, 2 Drawing Sheets**



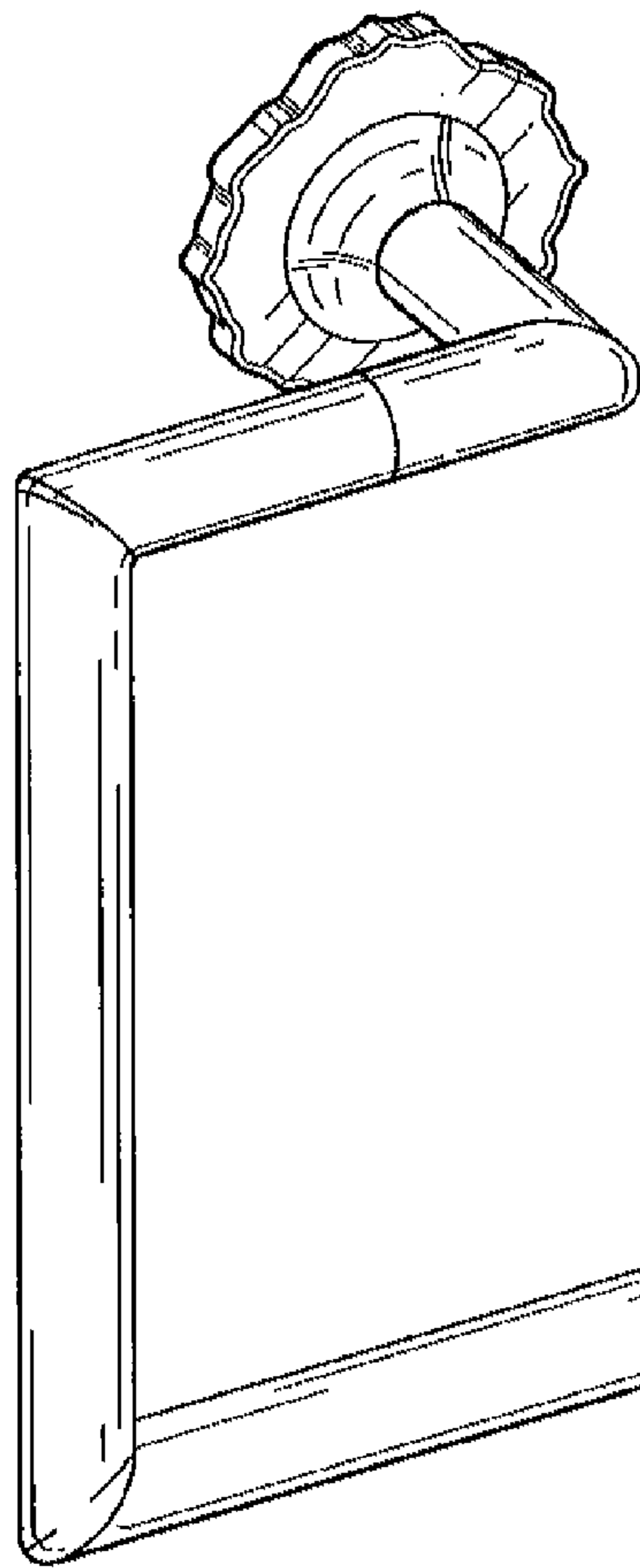


Fig-1

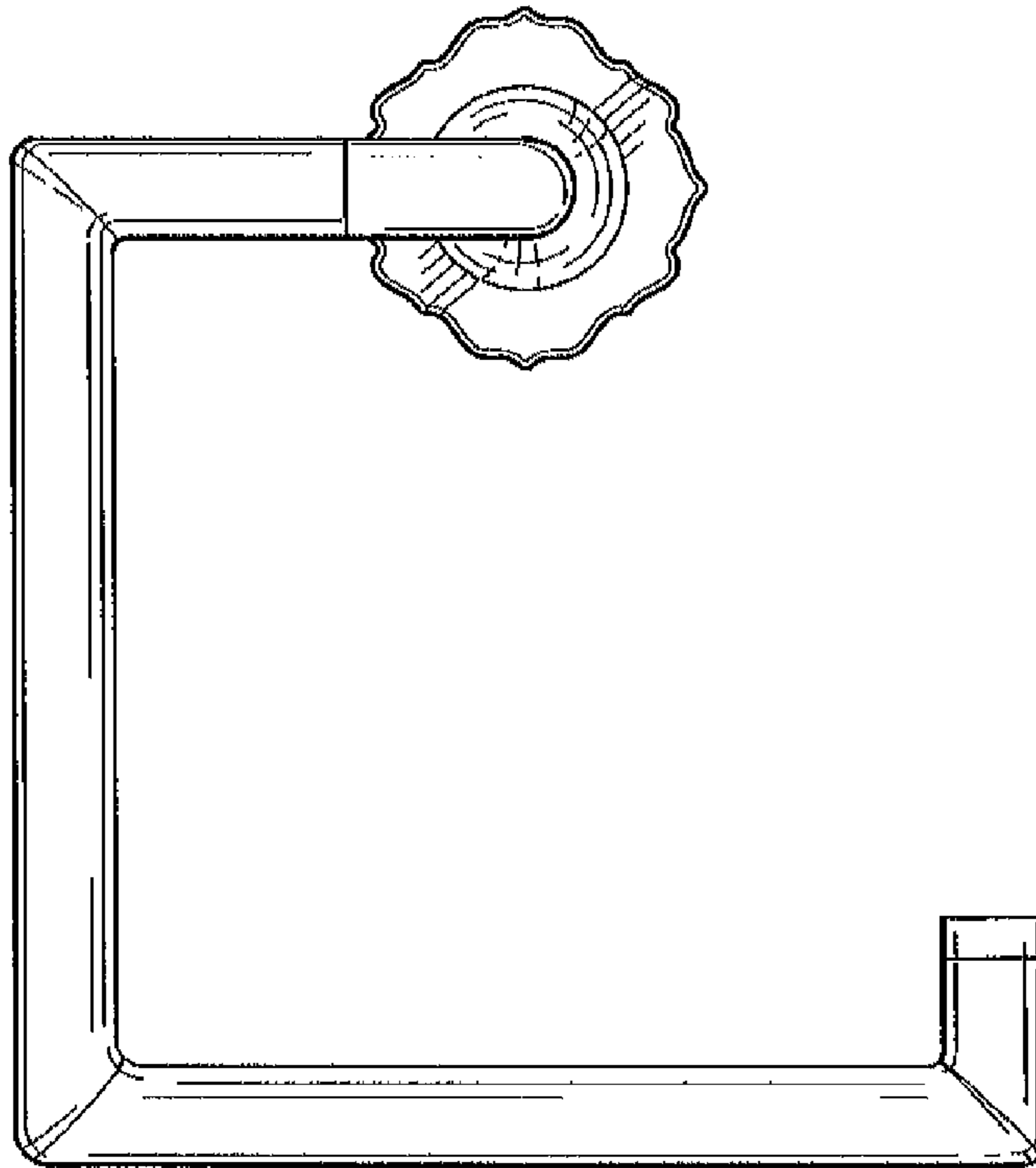


Fig-2



Fig-3

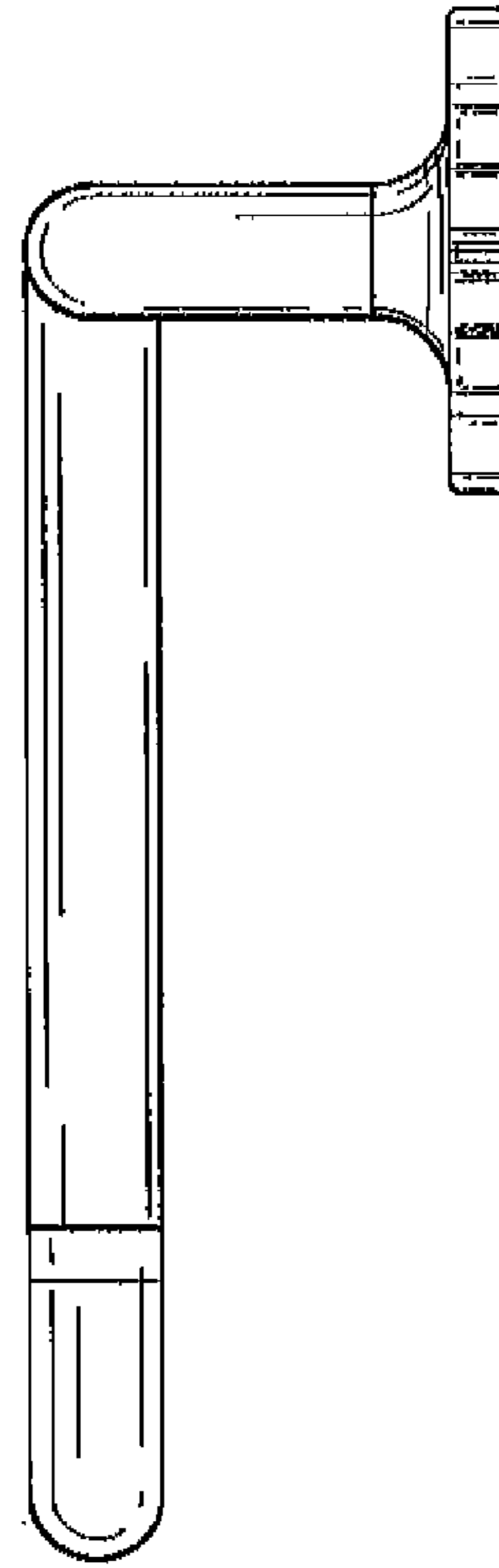


Fig-4

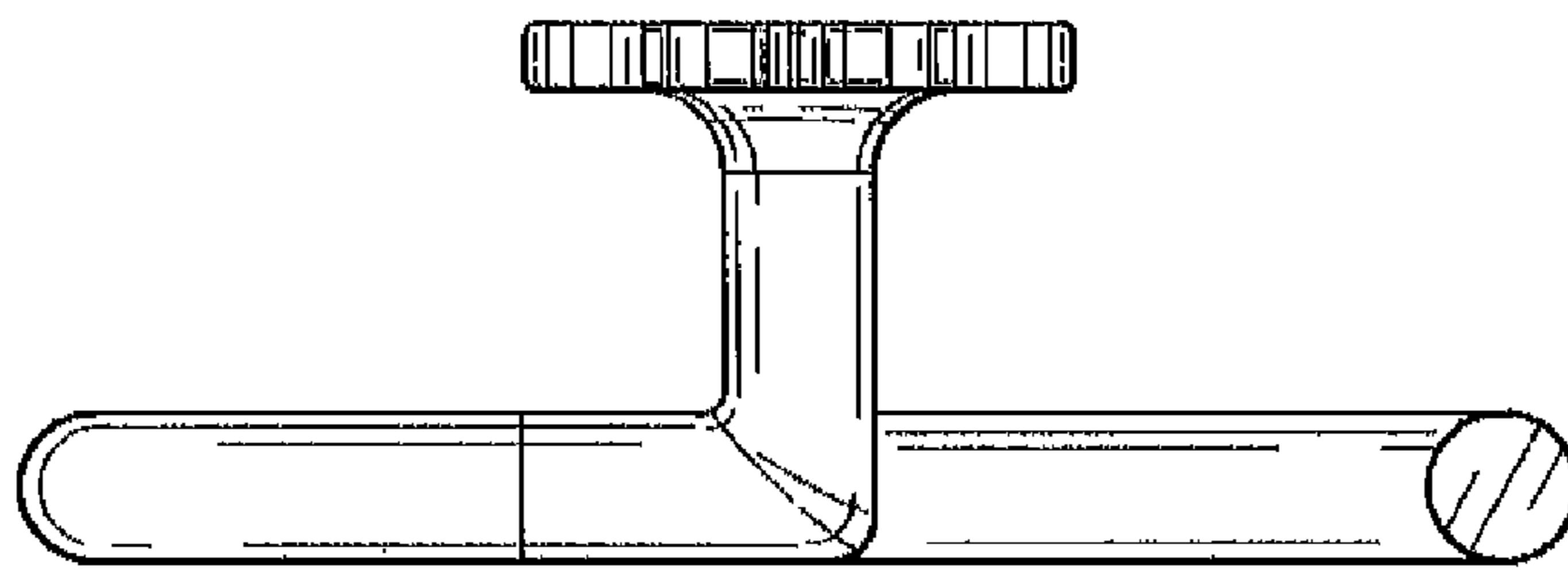


Fig-5

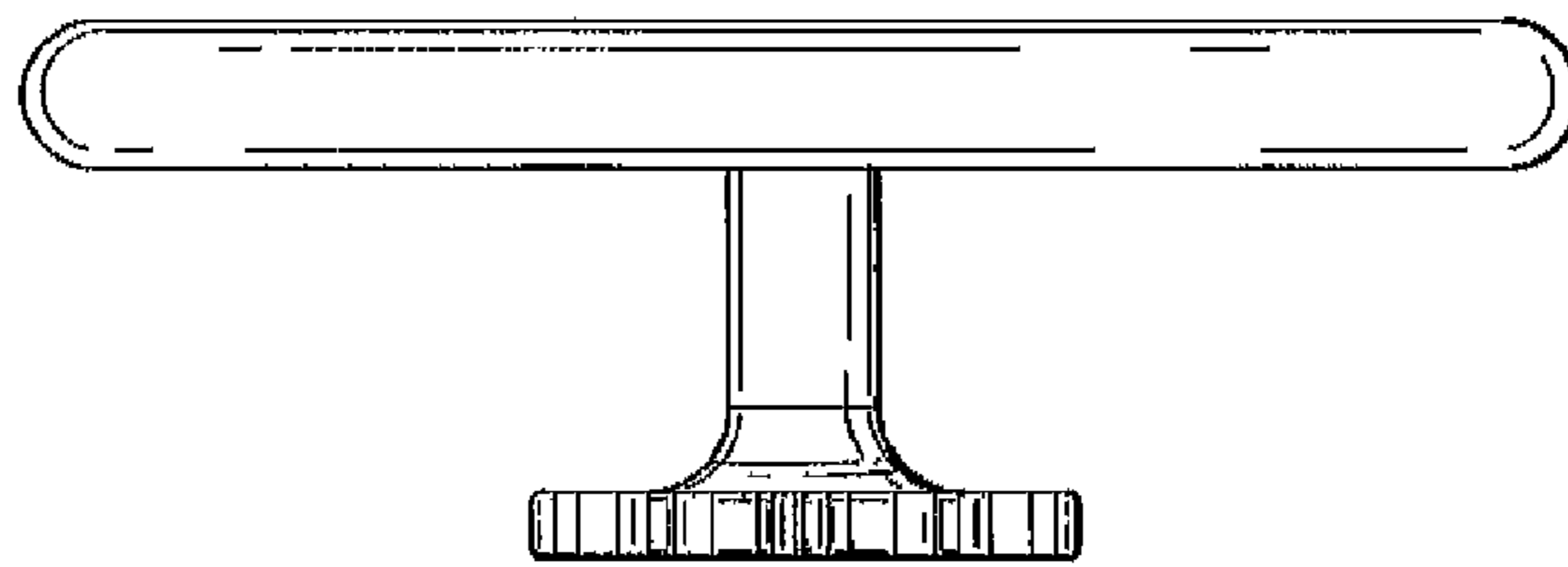


Fig-6