



US00D663981S

(12) **United States Design Patent**
Purcell et al.

(10) **Patent No.:** **US D663,981 S**
(45) **Date of Patent:** **** Jul. 24, 2012**

- (54) **HYGIENE PRODUCT CADDY**
- (75) Inventors: **Ricky Wayne Purcell**, Alpharetta, GA (US); **David Jackson Trettin**, Atlanta, GA (US); **William Lytell Bridwell, III**, Atlanta, GA (US); **Trent Kahute**, Atlanta, GA (US)
- (73) Assignee: **Kimberly-Clark Worldwide, Inc.**, Neenah, WI (US)

D551,002	S	*	9/2007	Snell	D6/525
D556,407	S	*	11/2007	Snell	D6/525
7,578,388	B2		8/2009	O'Connell et al.		
7,588,168	B2		9/2009	Bagwell et al.		
7,789,239	B2		9/2010	Juliano		
D628,385	S		12/2010	Klein et al.		
D632,081	S		2/2011	Klein et al.		
2005/0241985	A1		11/2005	Mosbacher et al.		
2005/0242257	A1		11/2005	Mosbacher et al.		
2007/0100692	A1		5/2007	Minifie et al.		

(Continued)

(**) Term: **14 Years**

(21) Appl. No.: **29/399,503**

(22) Filed: **Aug. 15, 2011**

(51) **LOC (9) Cl.** **23-02**

(52) **U.S. Cl.** **D6/525**

(58) **Field of Classification Search** D6/524,
D6/525; D7/500, 505, 555, 601, 701, 637;
D11/131, 143, 146, 152; D28/73; 47/41.1,
47/65.5, 66.1, 66.6, 66.7, 69; 211/13.1, 69.1,
211/62, 70.6, 70.7, 119.011; D3/308, 315,
D3/313

See application file for complete search history.

(56) **References Cited**

U.S. PATENT DOCUMENTS

D191,573	S	*	10/1961	Pierchalski	D6/525
4,219,035	A	*	8/1980	Deconinck	211/65
D355,553	S	*	2/1995	Tiramani	D6/525
D381,229	S	*	7/1997	Yemini	D6/525
D396,956	S	*	8/1998	Iversen et al.	D3/313
D414,362	S	*	9/1999	Olmos	D6/525
D456,246	S	*	4/2002	Drake et al.	D3/315
D490,244	S	*	5/2004	Pero	D3/315
6,745,895	B2		6/2004	Silvers		
6,786,334	B2		9/2004	Smith		
D522,751	S		6/2006	Irwin et al.		
7,080,416	B1	*	7/2006	Portnell	211/119.011

OTHER PUBLICATIONS

Co-pending U.S. Appl. No. 29/399,488, filed Aug. 15, 2011, by Purcell for "Hygiene Product Caddy."

(Continued)

Primary Examiner — Brian N Vinson

(74) *Attorney, Agent, or Firm* — Nancy M. Klembus; Ralph H. Dean

(57) **CLAIM**

We claim the ornamental design for hygiene product caddy, as shown and described.

DESCRIPTION

FIG. 1 is a front perspective view of the hygiene product caddy, showing the design.

FIG. 2 is a front-side view of the hygiene product caddy.

FIG. 3 is a right-side view of the hygiene product caddy.

FIG. 4 is a left-side view of the hygiene product caddy.

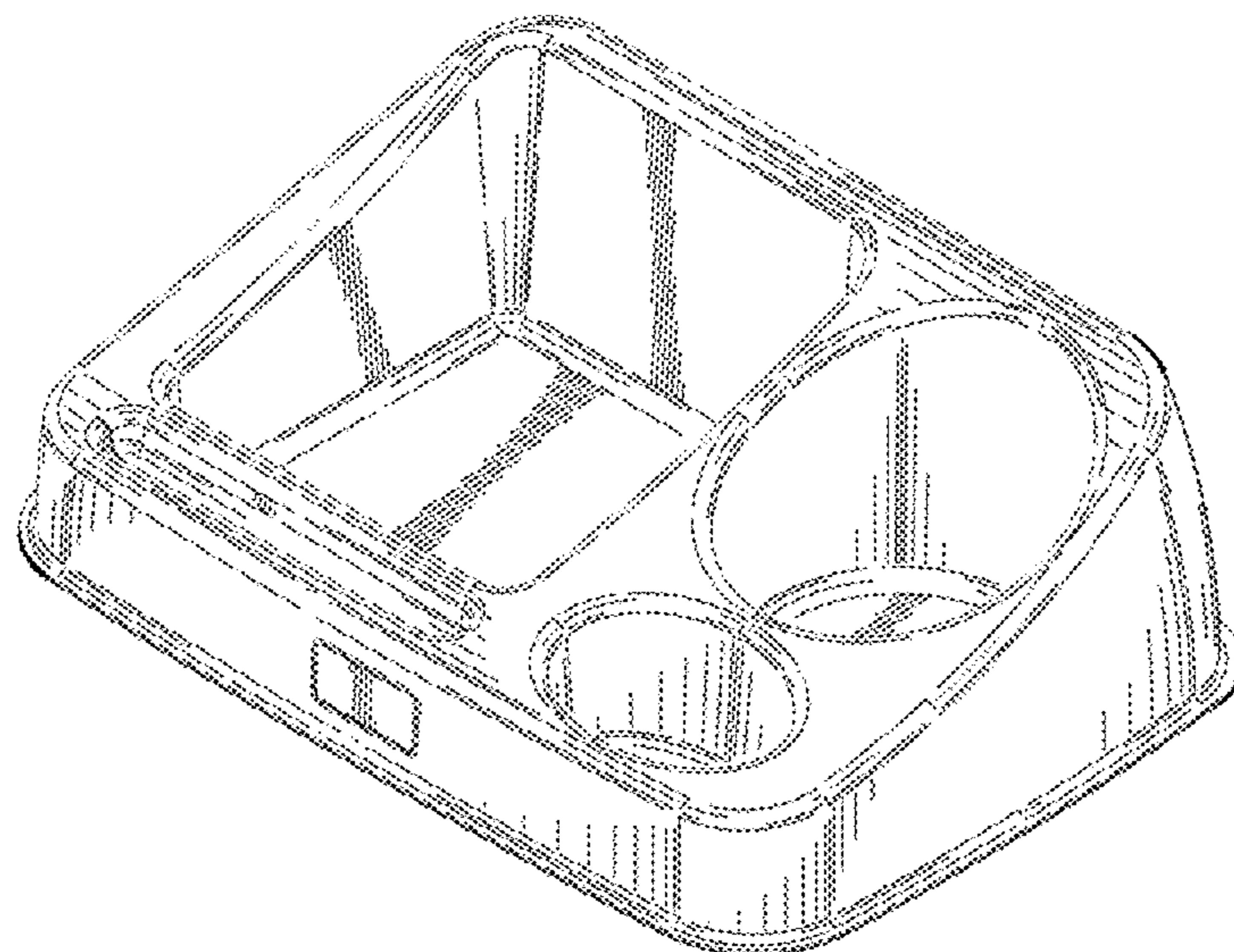
FIG. 5 is a rear-side view of the hygiene product caddy.

FIG. 6 is a top-side view of the hygiene product caddy.

FIG. 7 is a front perspective view of the hygiene product caddy, showing an alternative embodiment; and,

FIG. 8 is a front-side view of the hygiene product caddy of the alternative embodiment.

1 Claim, 6 Drawing Sheets



US D663,981 S

Page 2

U.S. PATENT DOCUMENTS

2007/0257041 A1 11/2007 Bramlage
2009/0301912 A1 12/2009 Cornell
2009/0301927 A1 12/2009 Fvlbrook et al.
2010/0187251 A1 7/2010 Simmons

OTHER PUBLICATIONS

Co-pending U.S. Appl. No. 29/399,531, filed Aug. 15, 2011, by
Purcell for "Hygiene Product Caddy."

* cited by examiner

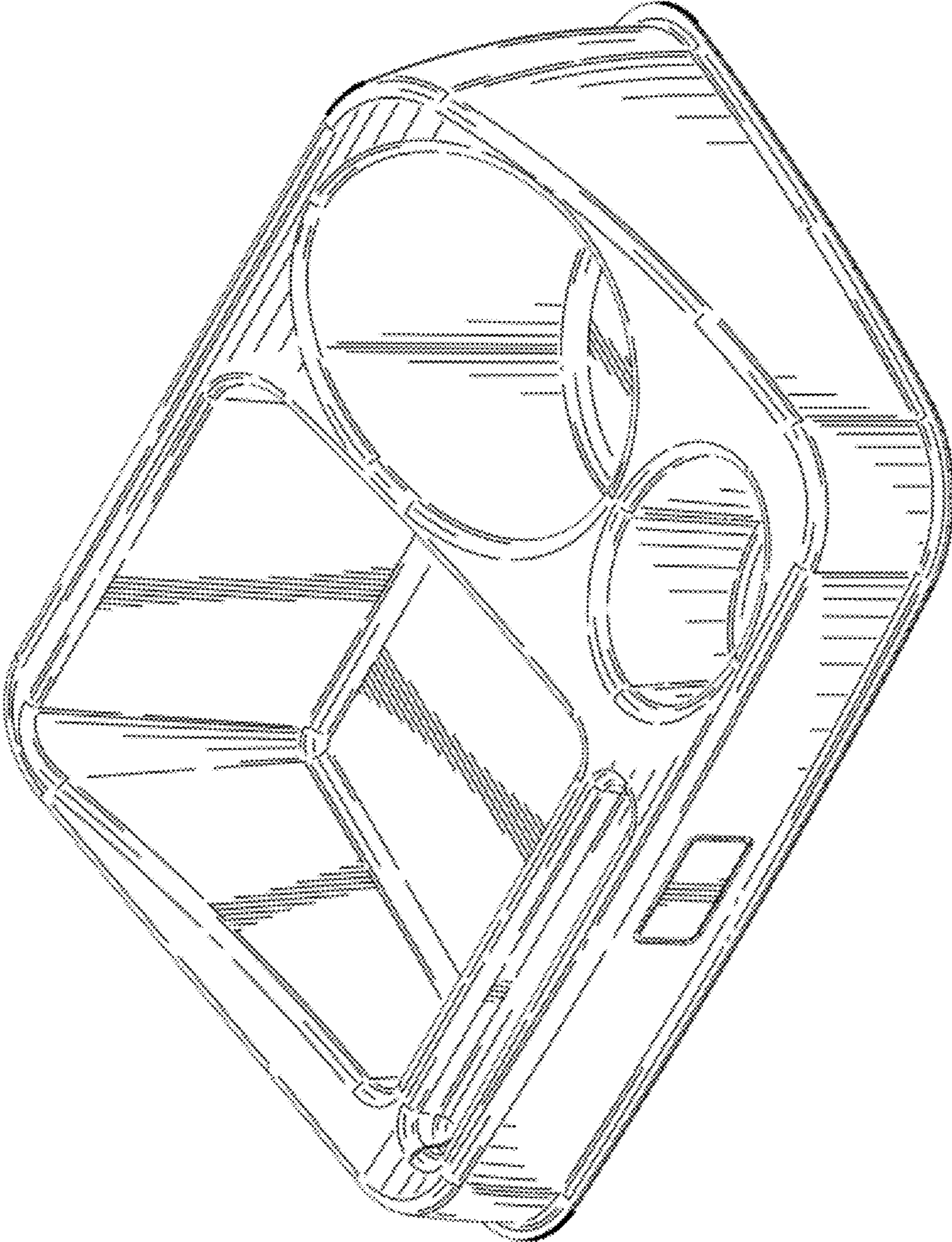


FIG. 1

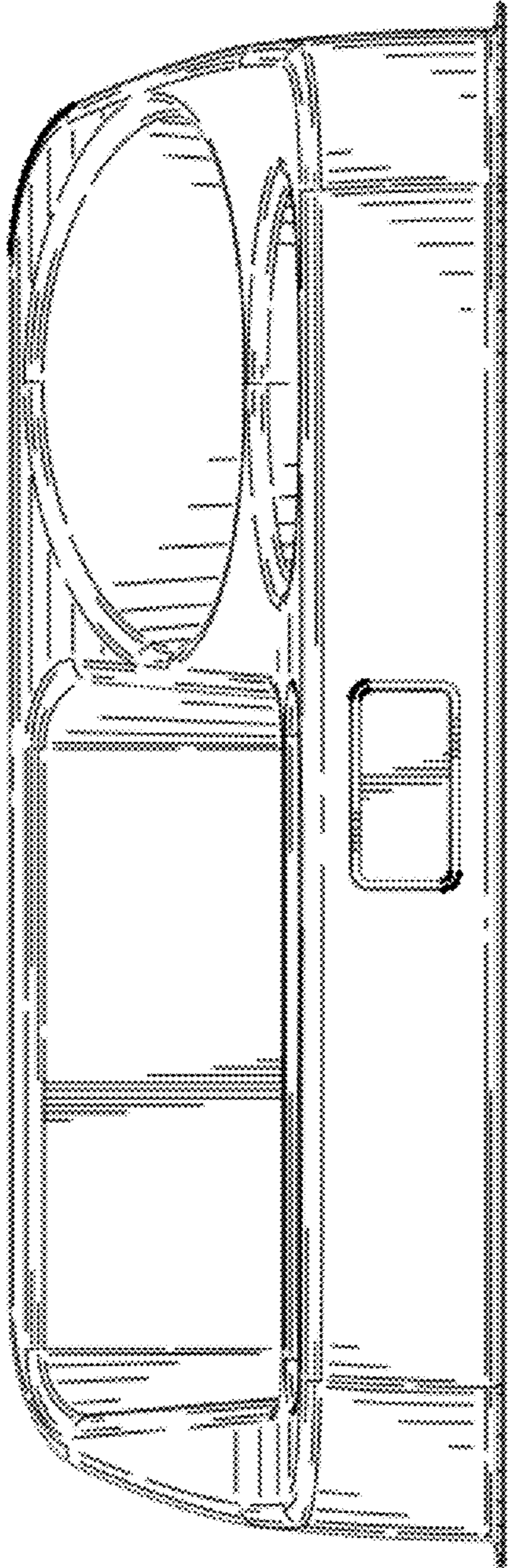


FIG. 2

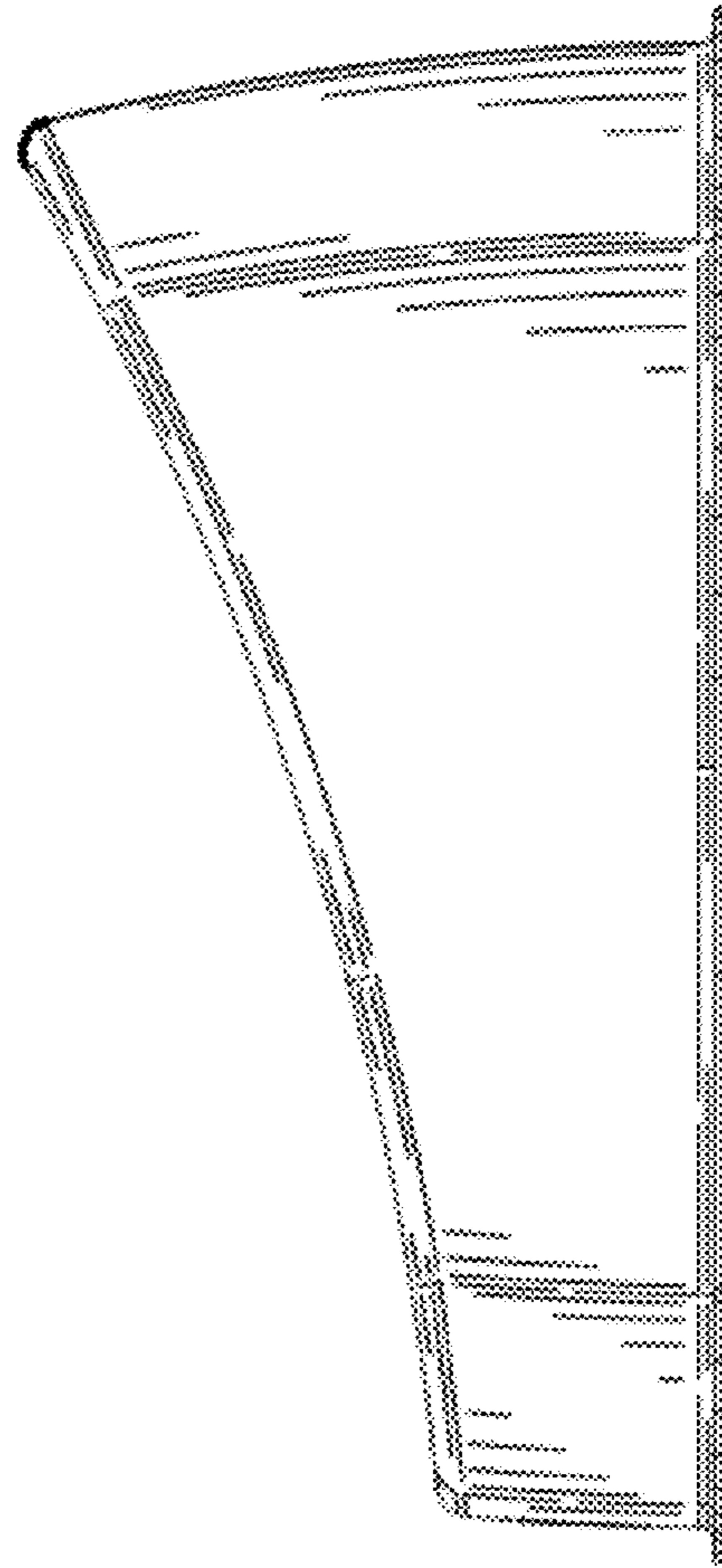


FIG. 3

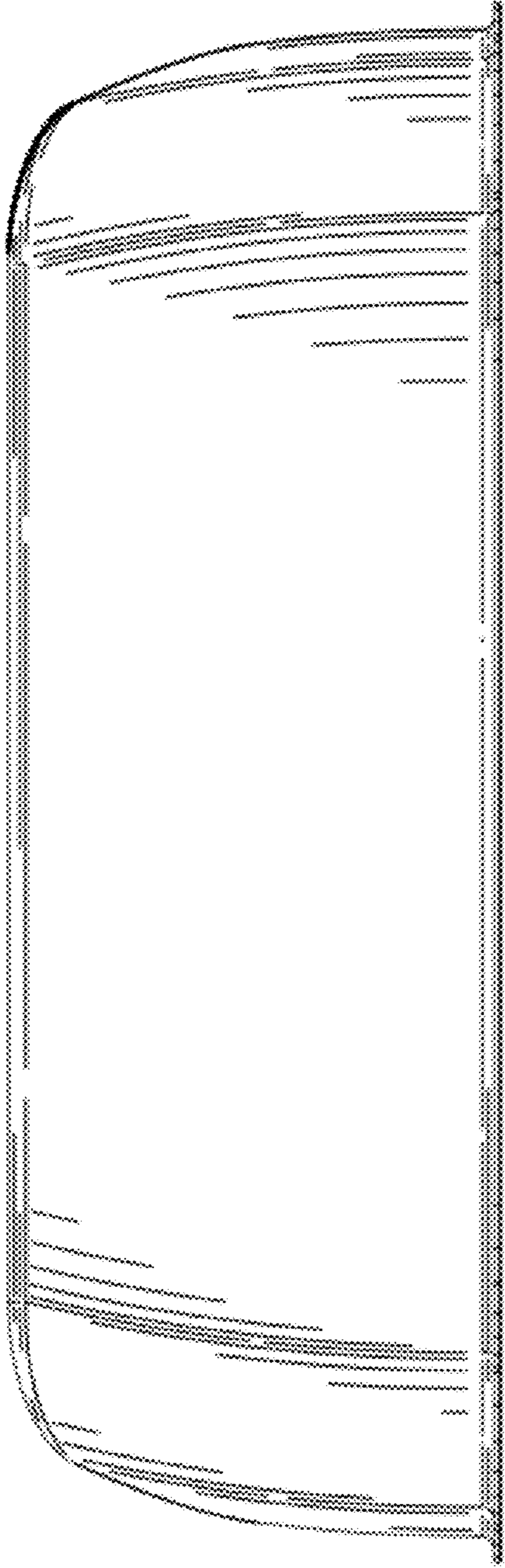


FIG. 4

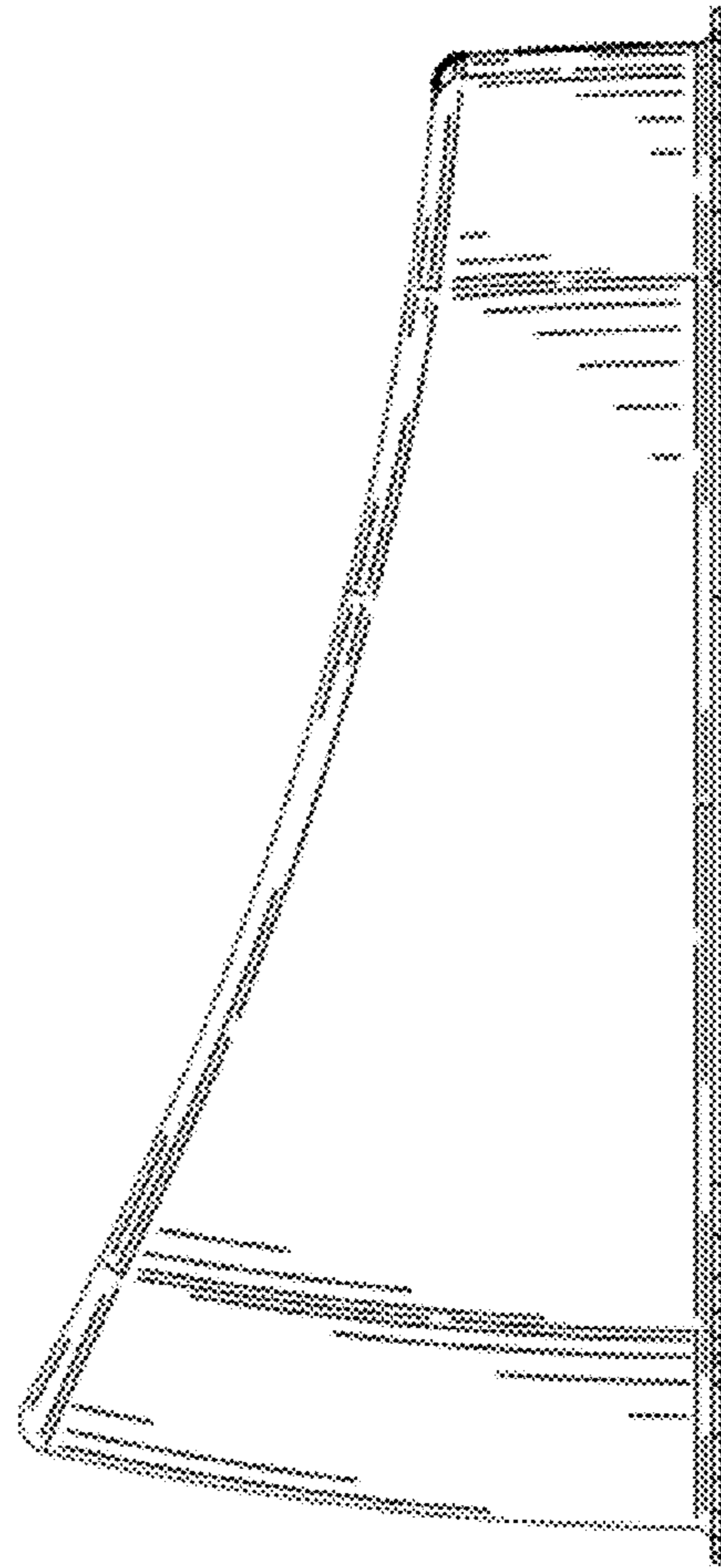


FIG. 5

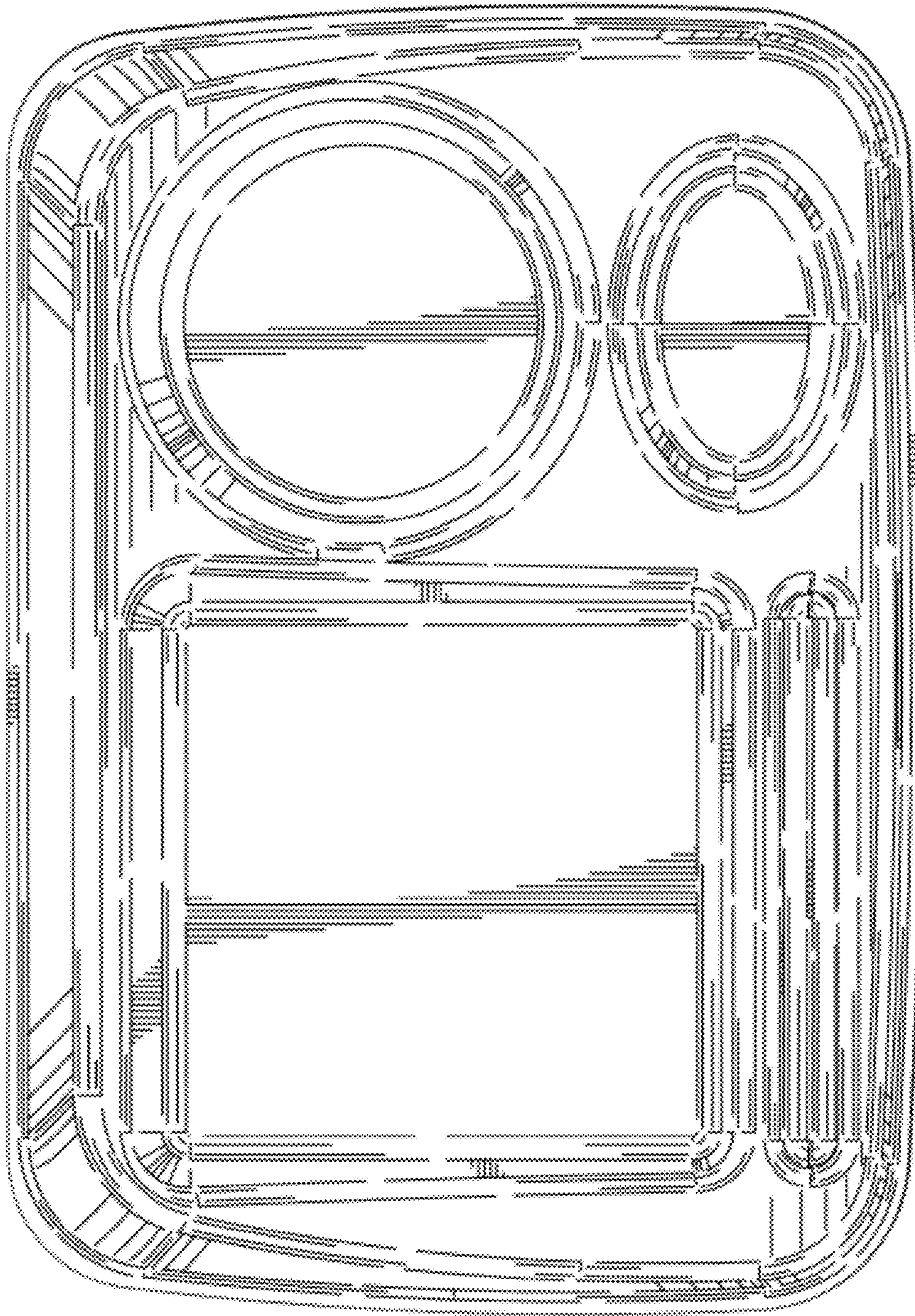


FIG. 6

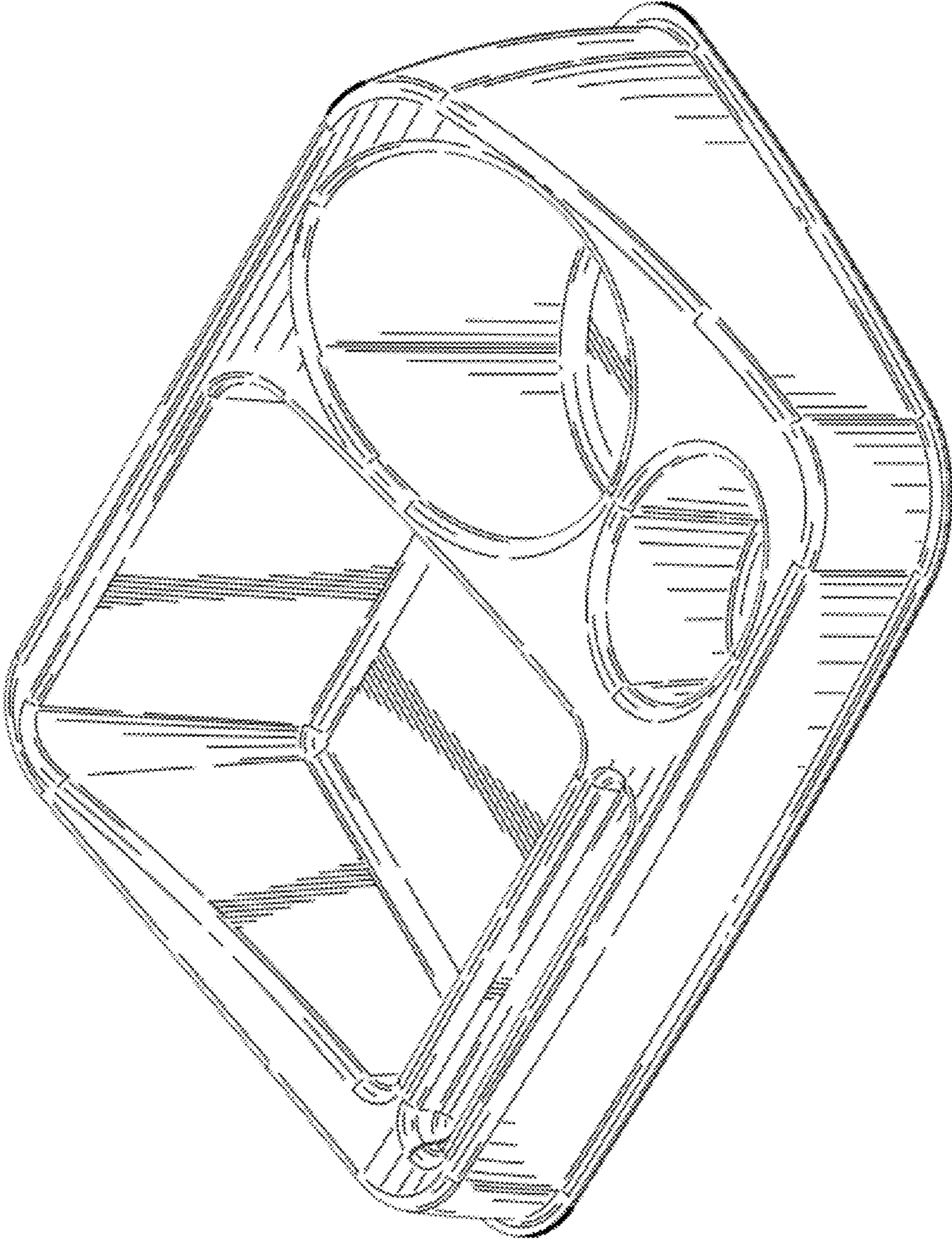


FIG. 7

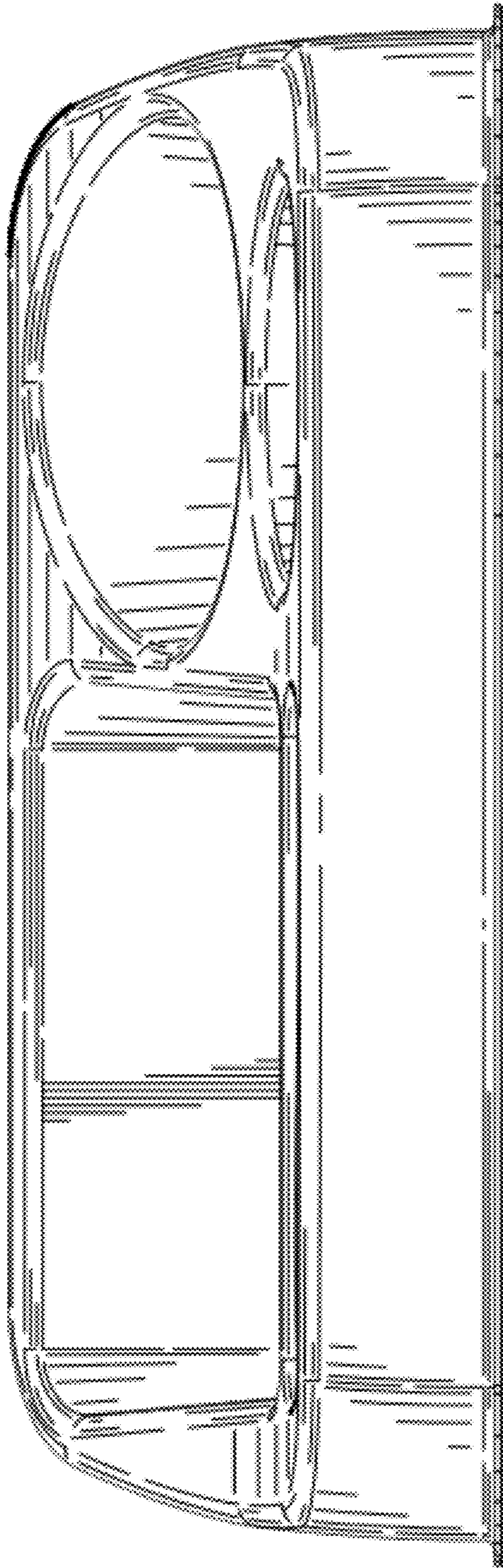


FIG. 8