



US00D663980S

(12) **United States Design Patent**
Bendaña et al.

(10) **Patent No.:** **US D663,980 S**
(45) **Date of Patent:** **** Jul. 24, 2012**

(54) **COMBINATION WIPE AND BAG DISPENSER**

(76) Inventors: **Leonidas A. Bendaña**, Clayton, CA (US); **Anita V. Bendaña**, Clayton, CA (US)

(**) Term: **14 Years**

(21) Appl. No.: **29/401,861**

(22) Filed: **Sep. 16, 2011**

(51) **LOC (9) Cl.** **06-04**

(52) **U.S. Cl.** **D6/518**

(58) **Field of Classification Search** D6/542-545, D6/553, 567, 574, 515-525; 206/77.1; 211/13.1, 211/86.01, 87.01; 221/14, 92, 649, 146.1, 221/146.2, 105; 222/281-282; D23/225; D8/349, 354, 363, 373, 394; D24/155
See application file for complete search history.

(56) **References Cited**

U.S. PATENT DOCUMENTS

4,706,845	A	11/1987	Schnurer et al.	
5,443,161	A	8/1995	Jonese	
5,875,490	A	3/1999	Woodard et al.	
6,085,899	A	7/2000	Thorsbakken	
D443,451	S *	6/2001	Buck et al.	D6/518
6,540,103	B2	4/2003	Silvers	
D479,420	S *	9/2003	White et al.	D6/518
6,723,080	B1	4/2004	Habib et al.	
D495,910	S *	9/2004	Zaidman	D6/518
6,899,250	B2	5/2005	FitzSimons et al.	

D525,464	S *	7/2006	Khurana	D6/518
D545,097	S *	6/2007	Schlaupitz et al.	D6/518
D546,602	S *	7/2007	Chasid et al.	D6/518
7,354,598	B2	4/2008	Masting	
D634,138	S *	3/2011	Wallace	D6/518
D651,831	S *	1/2012	Becherer et al.	D6/518

* cited by examiner

Primary Examiner — Brian N Vinson

(74) *Attorney, Agent, or Firm* — Montgomery Patent & Design, LLC; Robert C. Montgomery; Joseph T. Yaksich

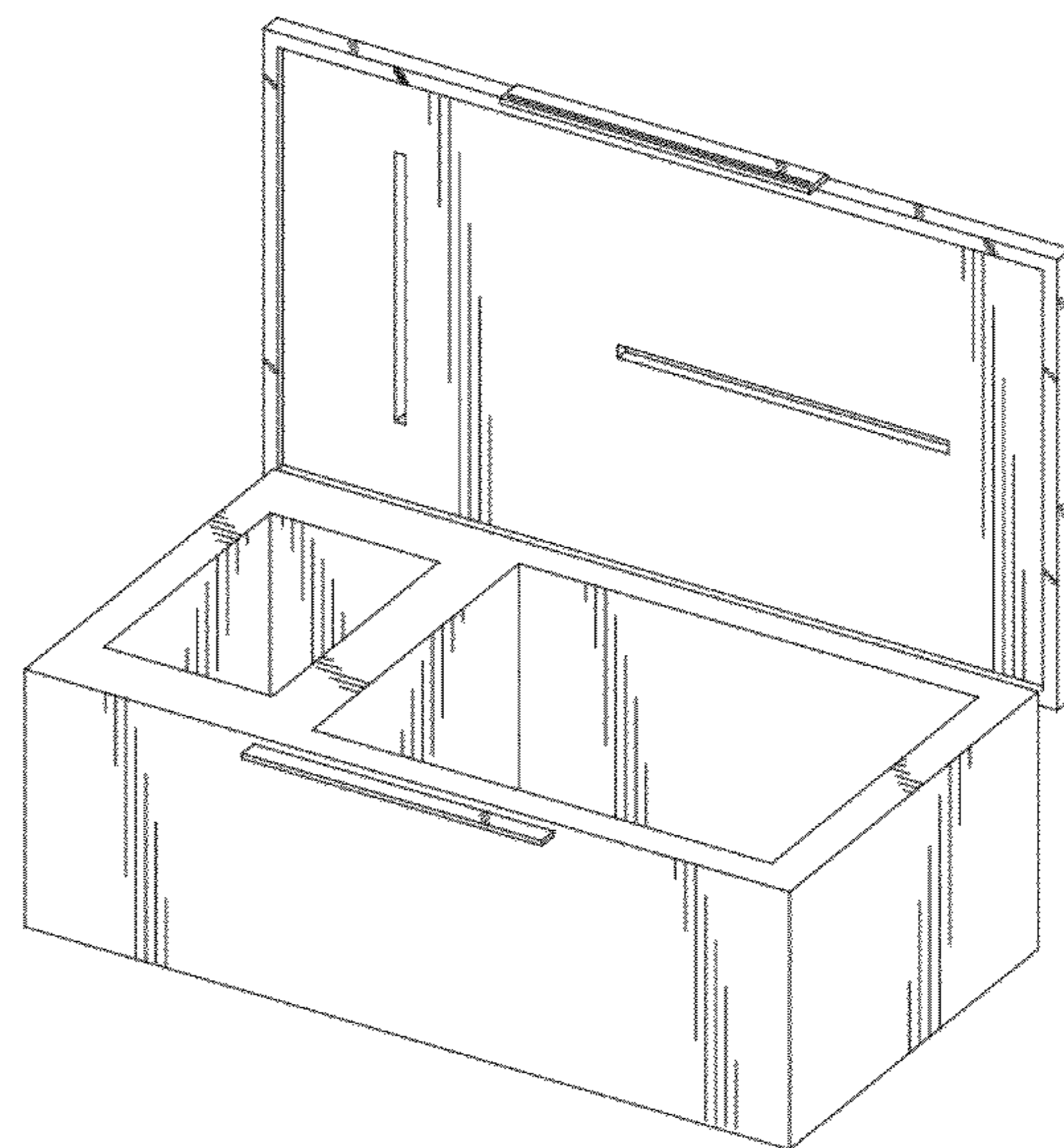
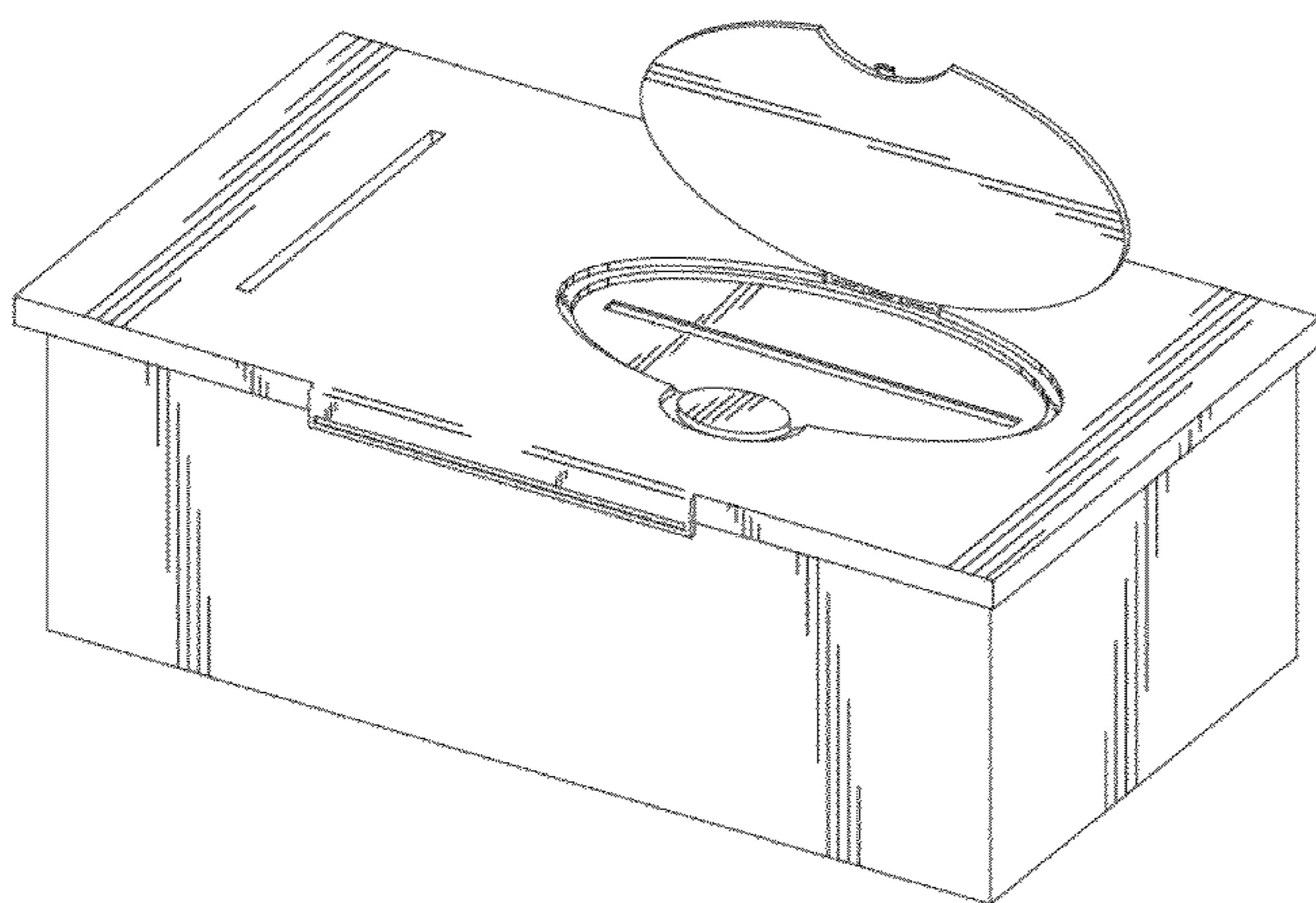
(57) **CLAIM**

The ornamental design for a combination wipe and bag dispenser, as shown and described.

DESCRIPTION

FIG. 1 is a perspective view of a combination wipe and bag dispenser, showing our new design; FIG. 2 is a front view thereof; FIG. 3 is a rear view thereof; FIG. 4 is a left side view thereof with a right side view being a mirror image; FIG. 5 is a top view thereof; FIG. 6 is a bottom view thereof; FIG. 7 is a perspective view of the combination wipe and bag dispenser depicted with a wipe cover in an open position; FIG. 8 is a perspective view of the combination wipe and bag dispenser depicted with a main cover in an open position; and, FIG. 9 is a top view of the combination wipe and bag dispenser of FIG. 8.

1 Claim, 9 Drawing Sheets



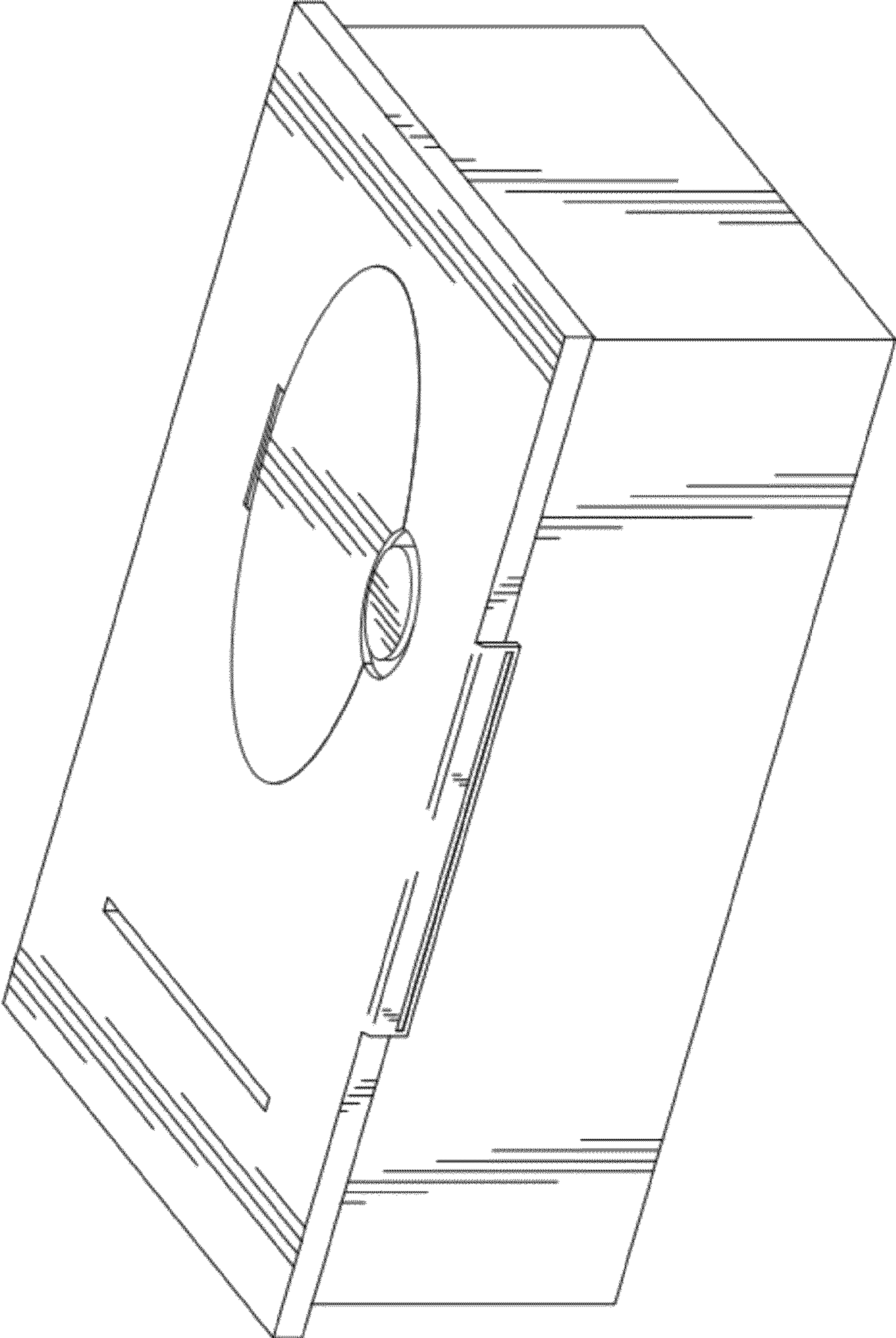


Fig. 1

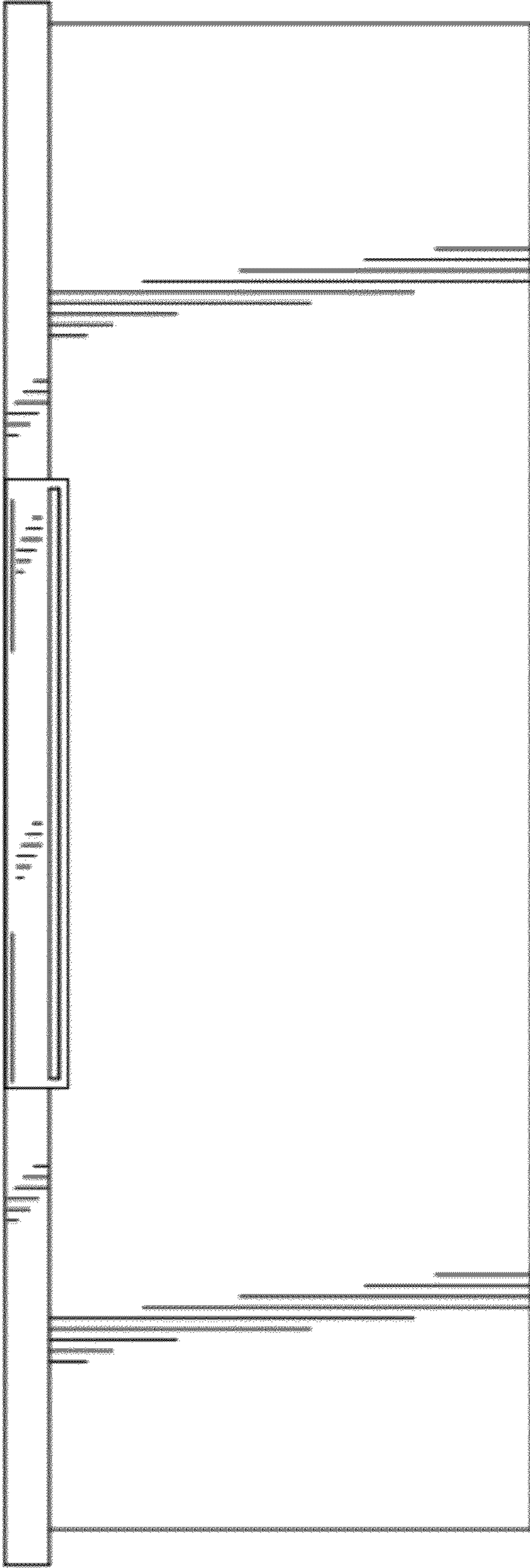


Fig. 2

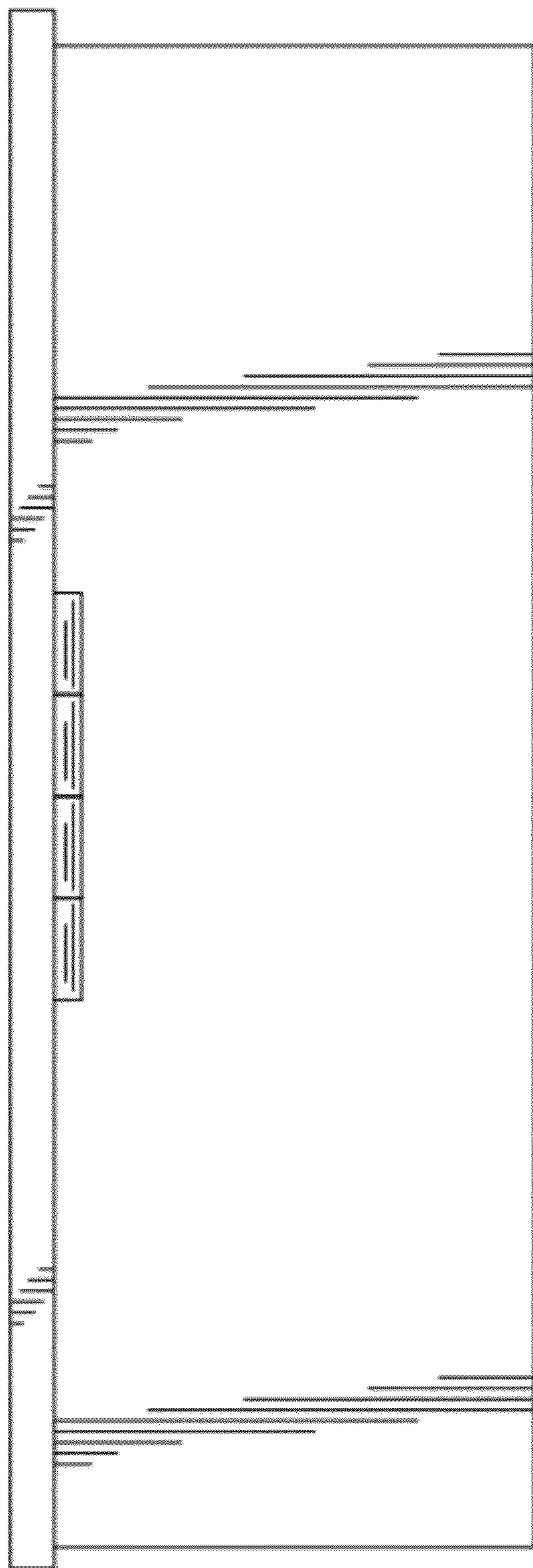


Fig. 3

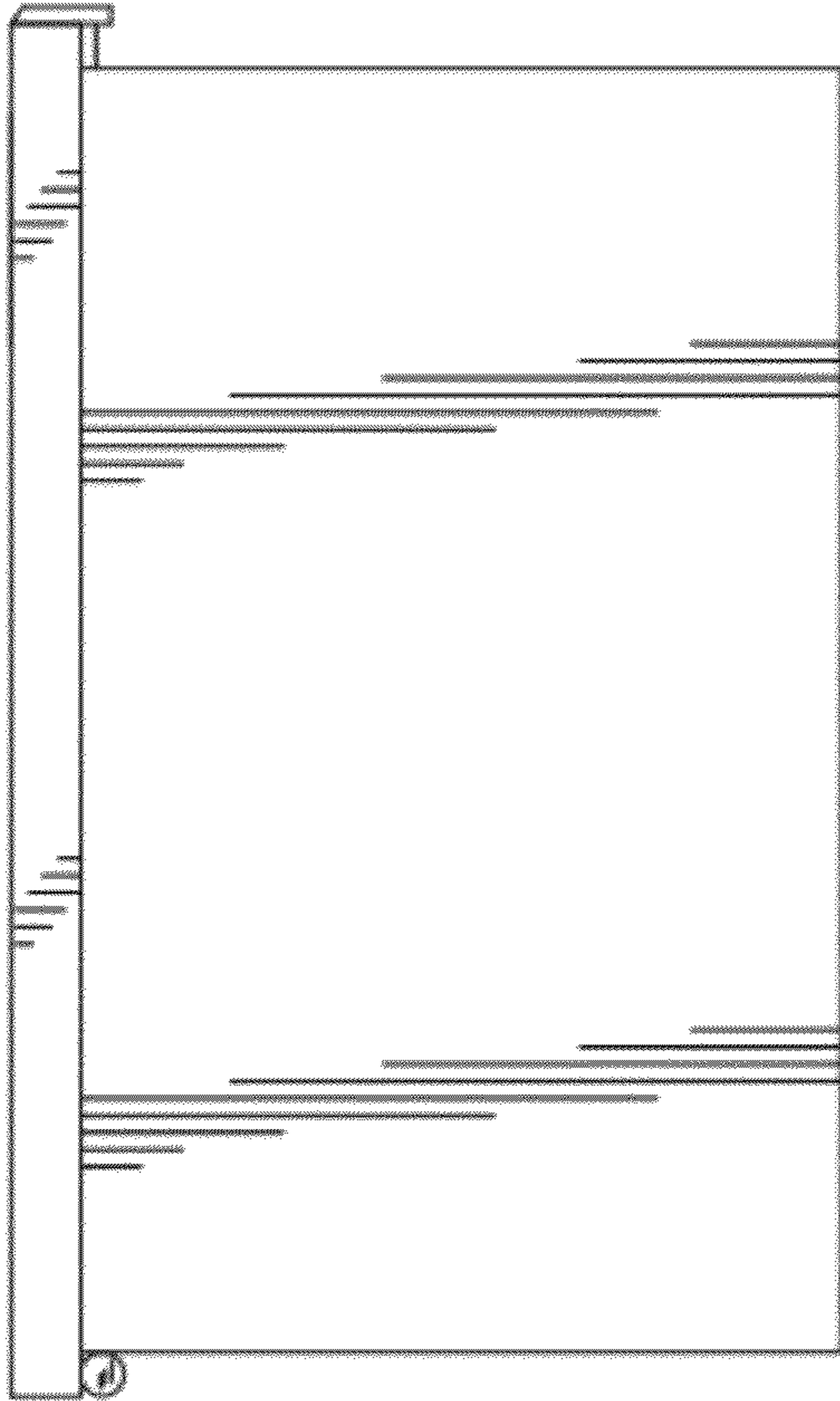


Fig. 4

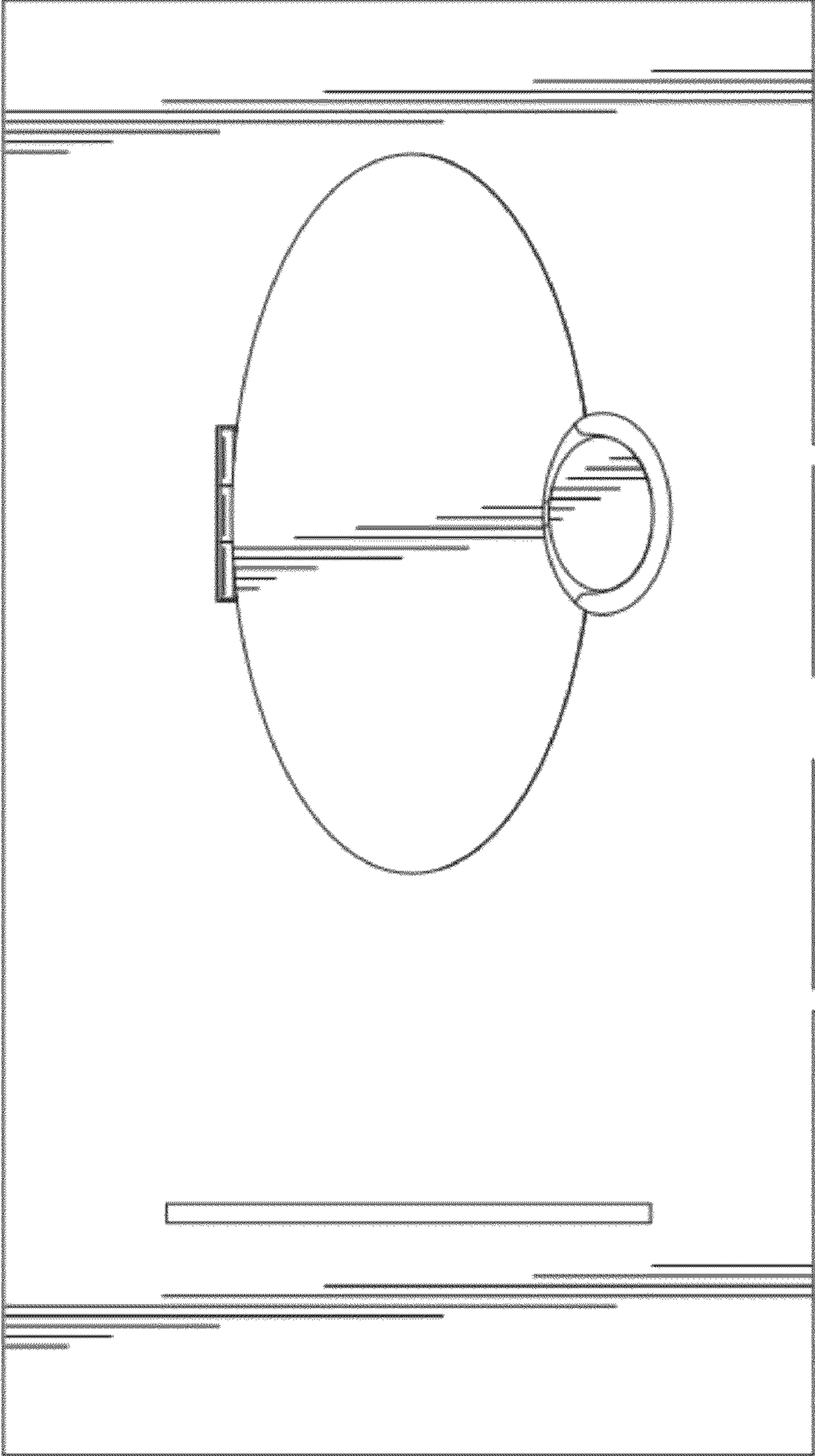


Fig. 5

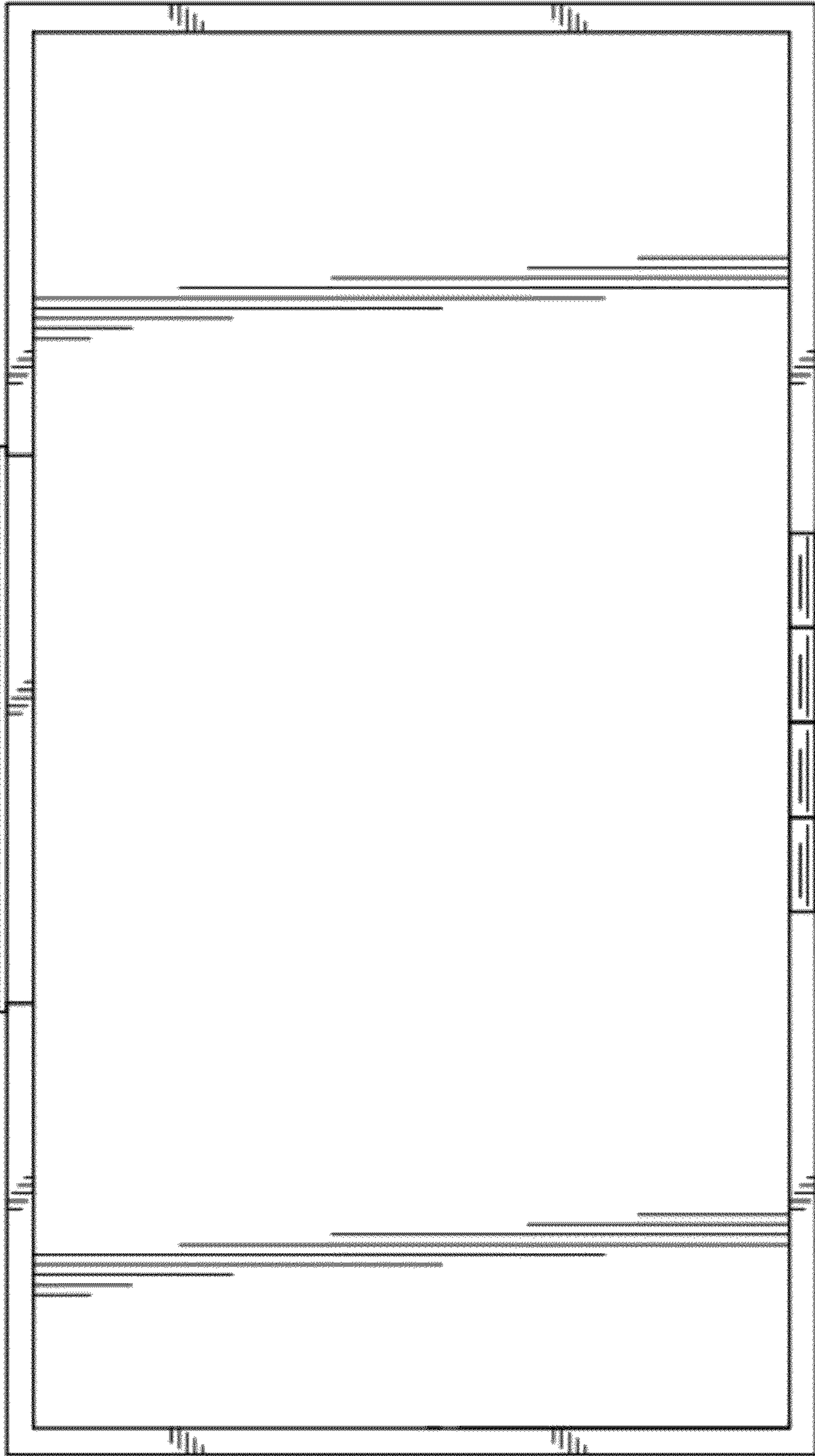


Fig. 6

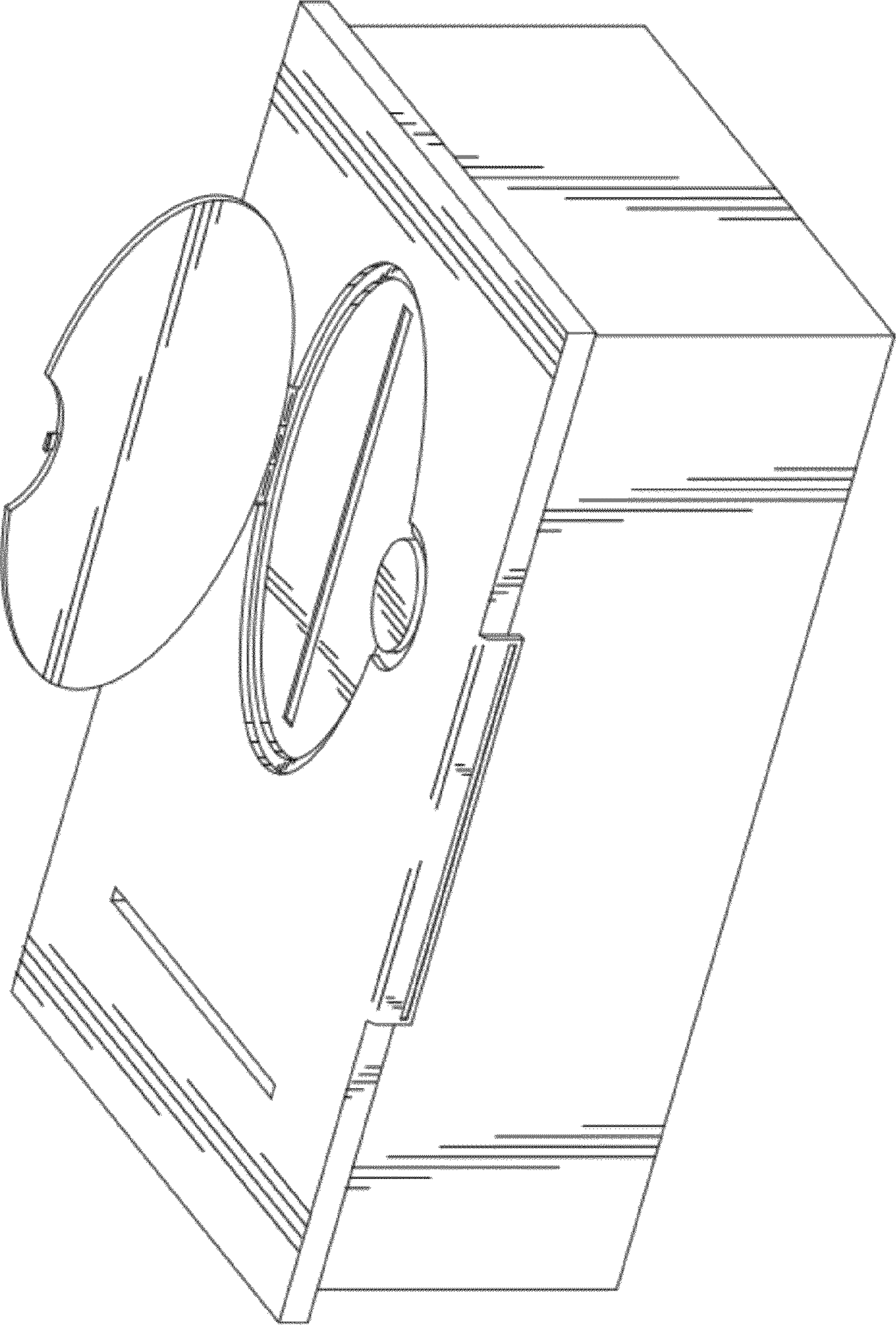


Fig. 7

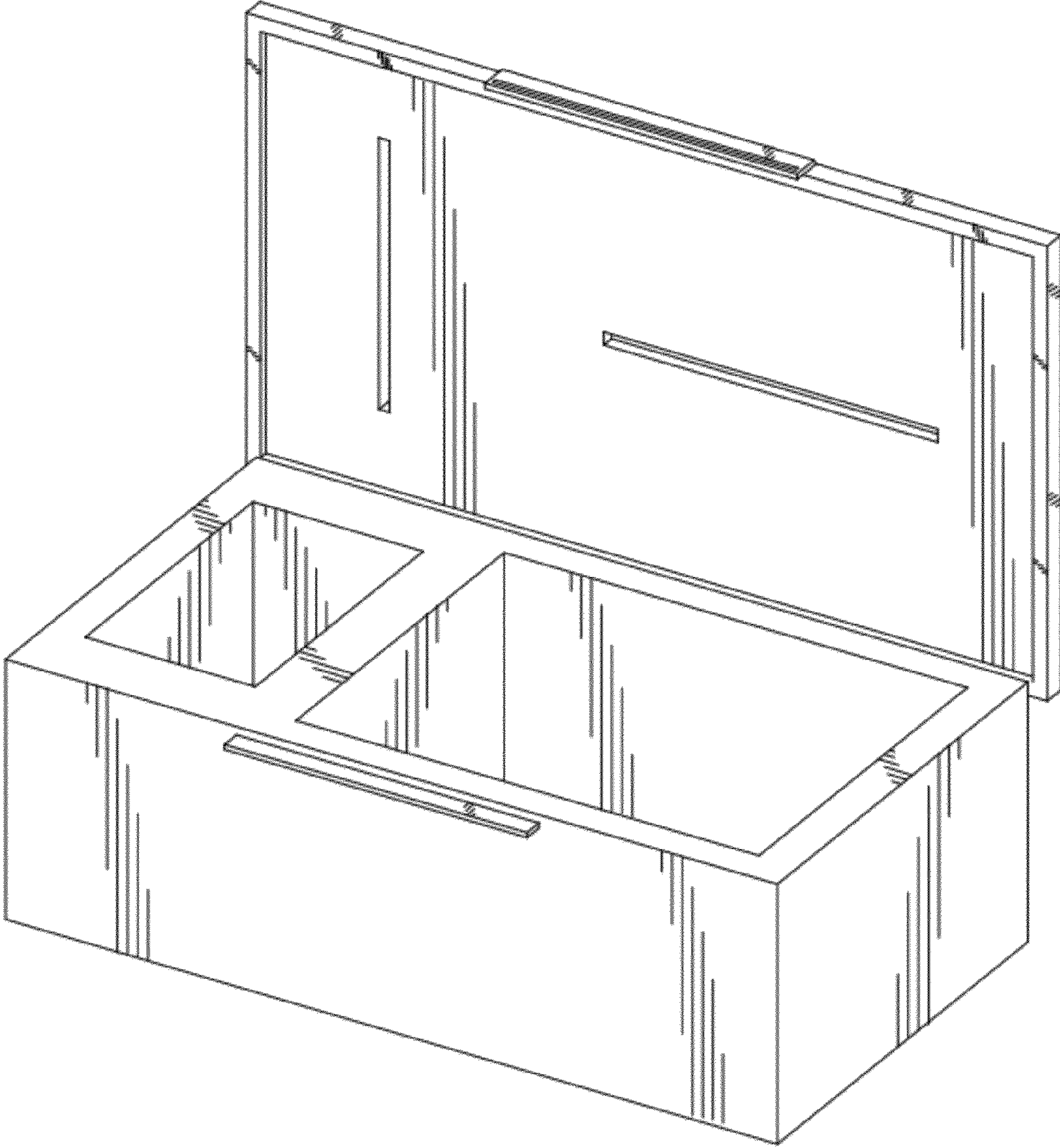


Fig. 8

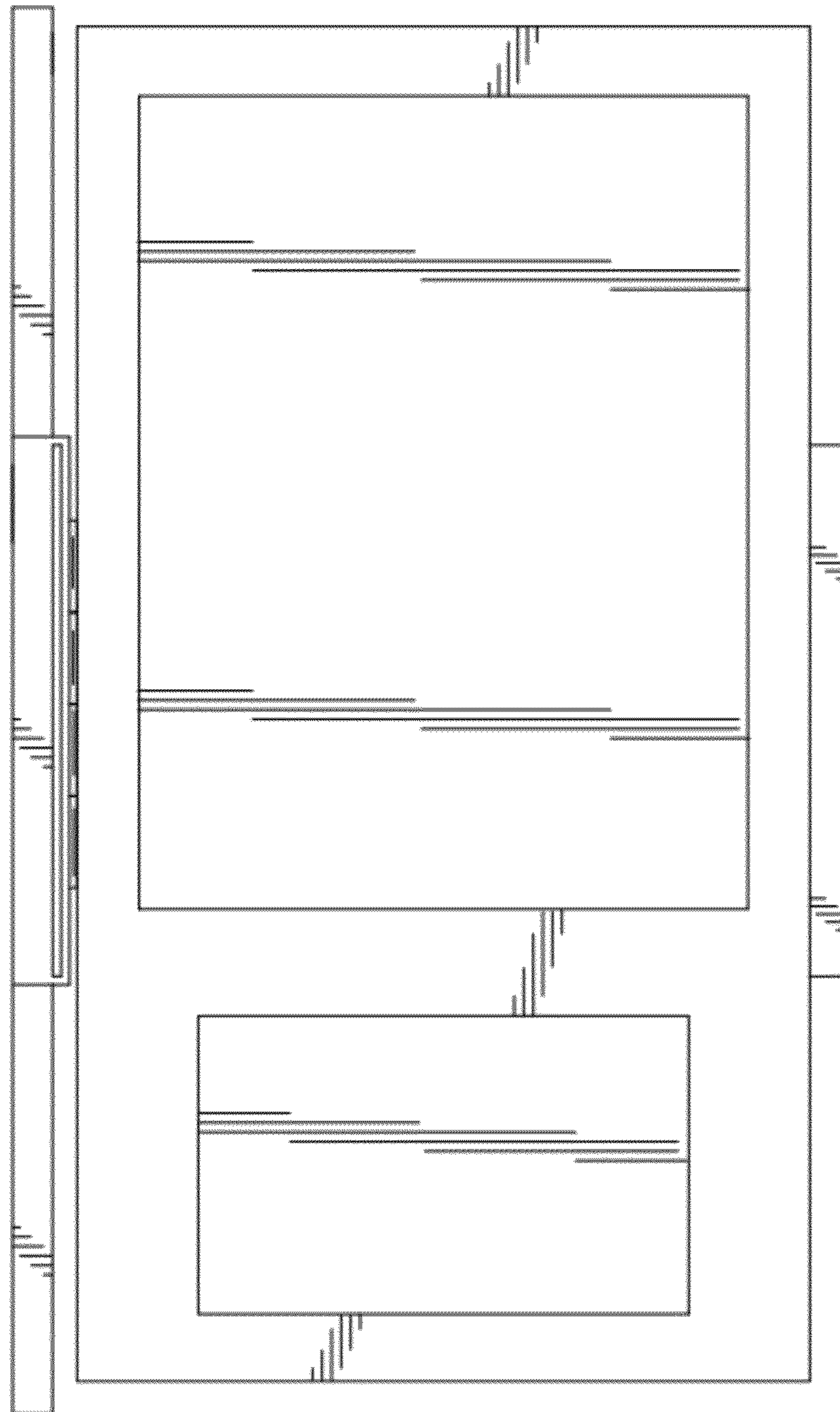


Fig. 9