



US00D663976S

(12) **United States Design Patent**
Kubryk

(10) **Patent No.:** **US D663,976 S**

(45) **Date of Patent:** **** Jul. 24, 2012**

(54) **TASK CHAIR**

(76) Inventor: **Isaac Kubryk**, Lockeford, CA (US)

(**) Term: **14 Years**

(21) Appl. No.: **29/374,888**

(22) Filed: **Oct. 19, 2011**

(51) **LOC (9) Cl.** **06-01**

(52) **U.S. Cl.** **D6/500; D6/366**

(58) **Field of Classification Search** D6/334-336,
D6/364, 365, 366, 371-373, 374, 375, 379,
D6/380, 500-502; 297/411.2, 411.28, 452.12,
297/452.19, 452.26, 452.29, 452.32, 452.35,
297/452.48

See application file for complete search history.

(56) **References Cited**

U.S. PATENT DOCUMENTS

D308,310 S *	6/1990	Wilson	D6/502
D354,178 S *	1/1995	Ochsner	D6/366
D396,567 S *	8/1998	Saul	D6/366
D611,738 S *	3/2010	Kubryk	D6/500
D612,175 S *	3/2010	Kubryk	D6/500

D622,985 S *	9/2010	Kubryk	D6/500
D623,447 S *	9/2010	Kubryk	D6/500
D623,879 S *	9/2010	Kubryk	D6/500
D655,538 S *	3/2012	Kubryk	D6/500

* cited by examiner

Primary Examiner — Mimoso De

(74) *Attorney, Agent, or Firm* — Audrey A. Millemann;
Weintraub Genshlea et al.

(57) **CLAIM**

The ornamental design for a task chair, as shown and described.

DESCRIPTION

FIG. 1 is a perspective view of a task chair, looking toward the right front corner, showing my new design;
FIG. 2 is a front view thereof;
FIG. 3 is a back view thereof;
FIG. 4 is a right side view thereof;
FIG. 5 is a top view thereof; and,
FIG. 6 is a bottom view thereof.

The broken lines shown in the drawing are for illustrative purposes only and form no part of the claimed design.

1 Claim, 5 Drawing Sheets

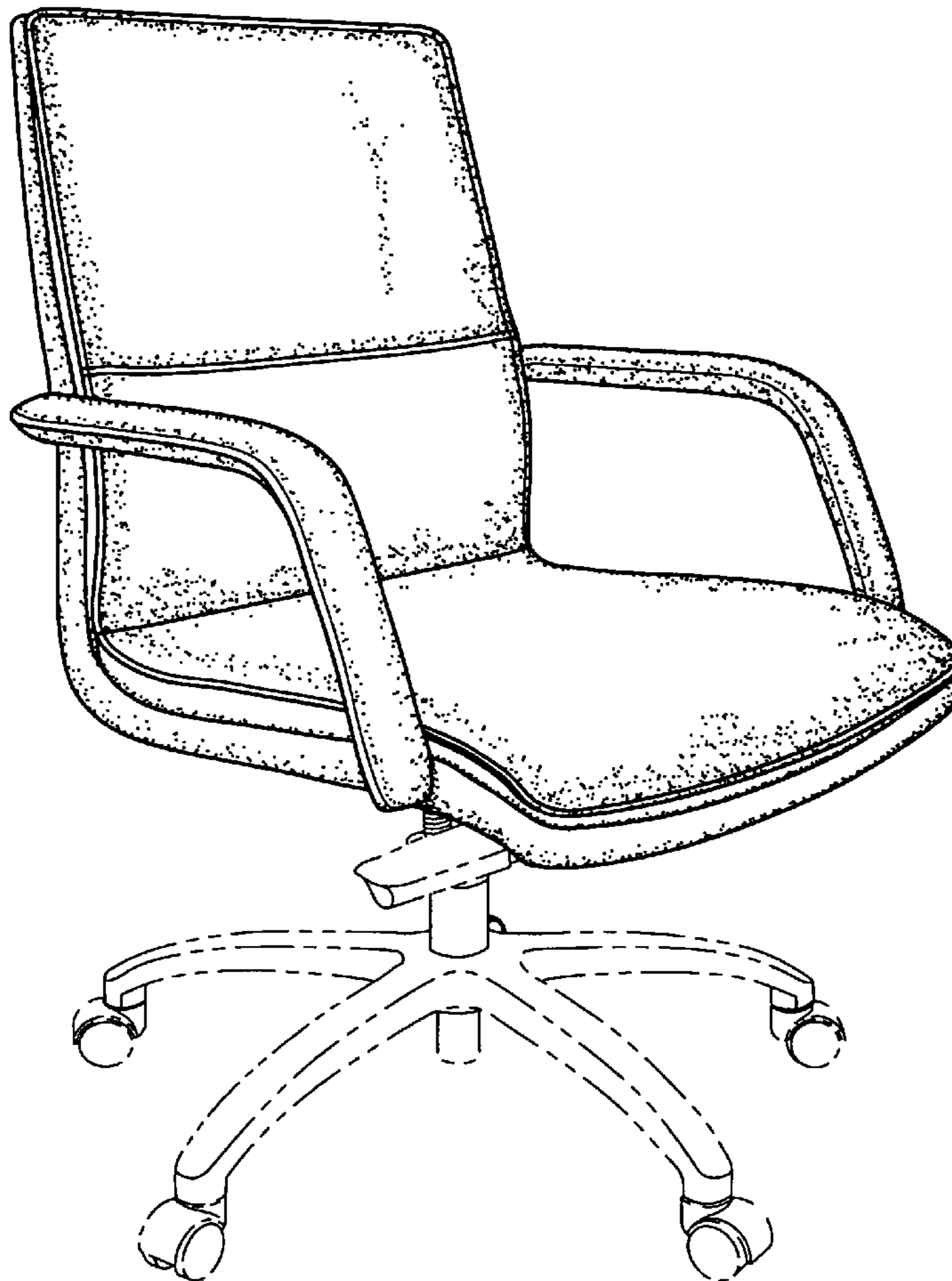


FIG. 1

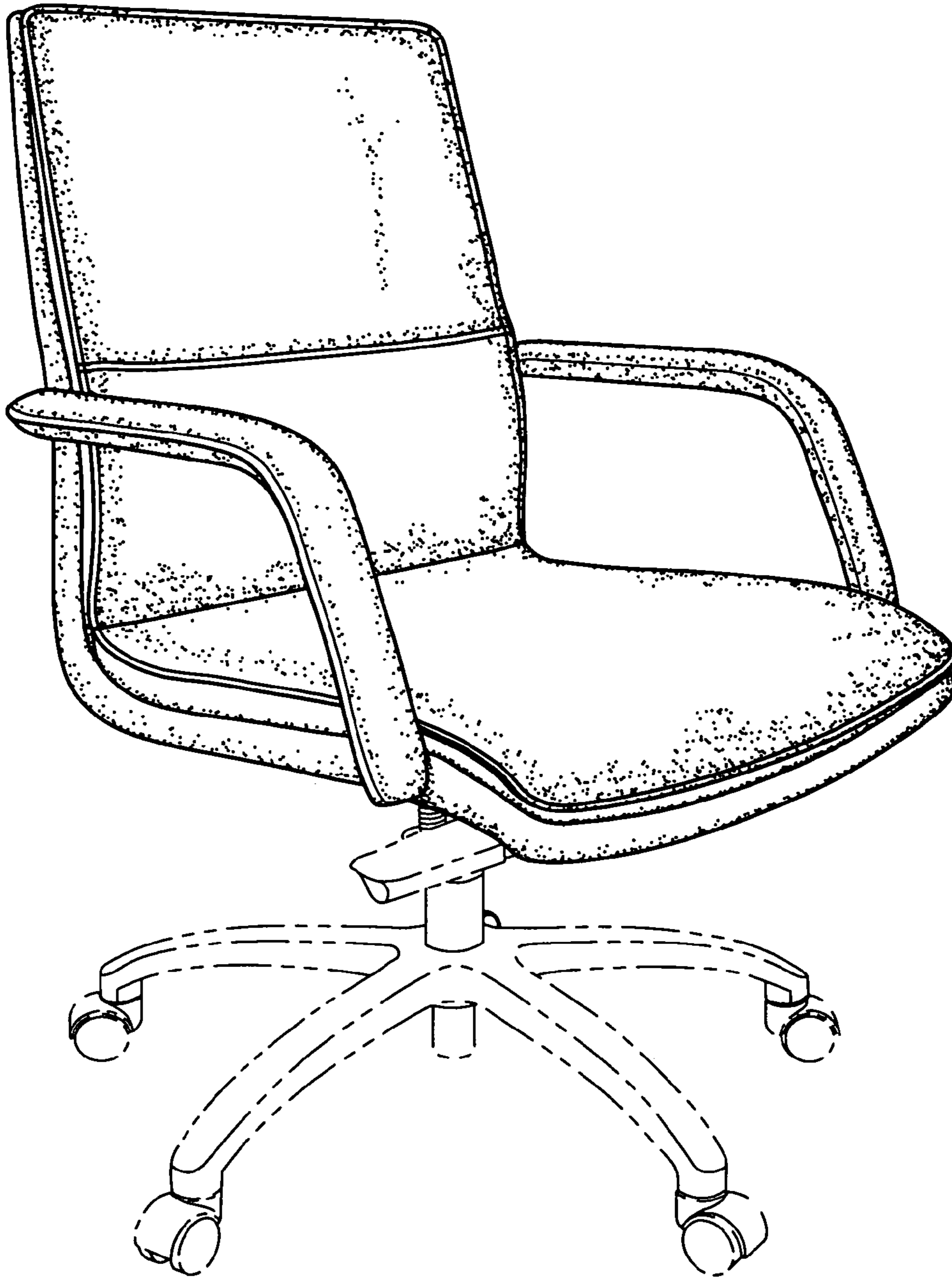


FIG. 2

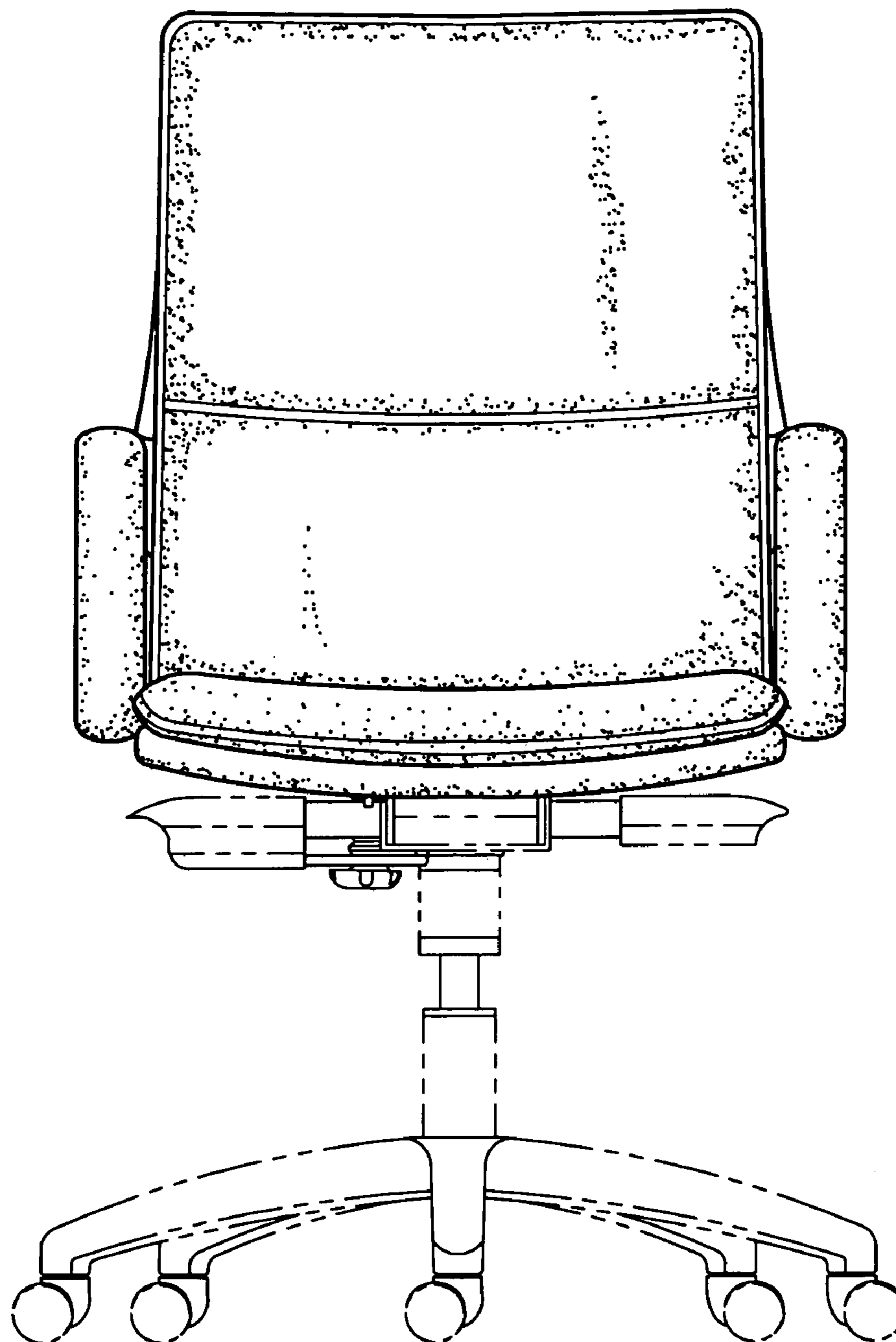


FIG. 3

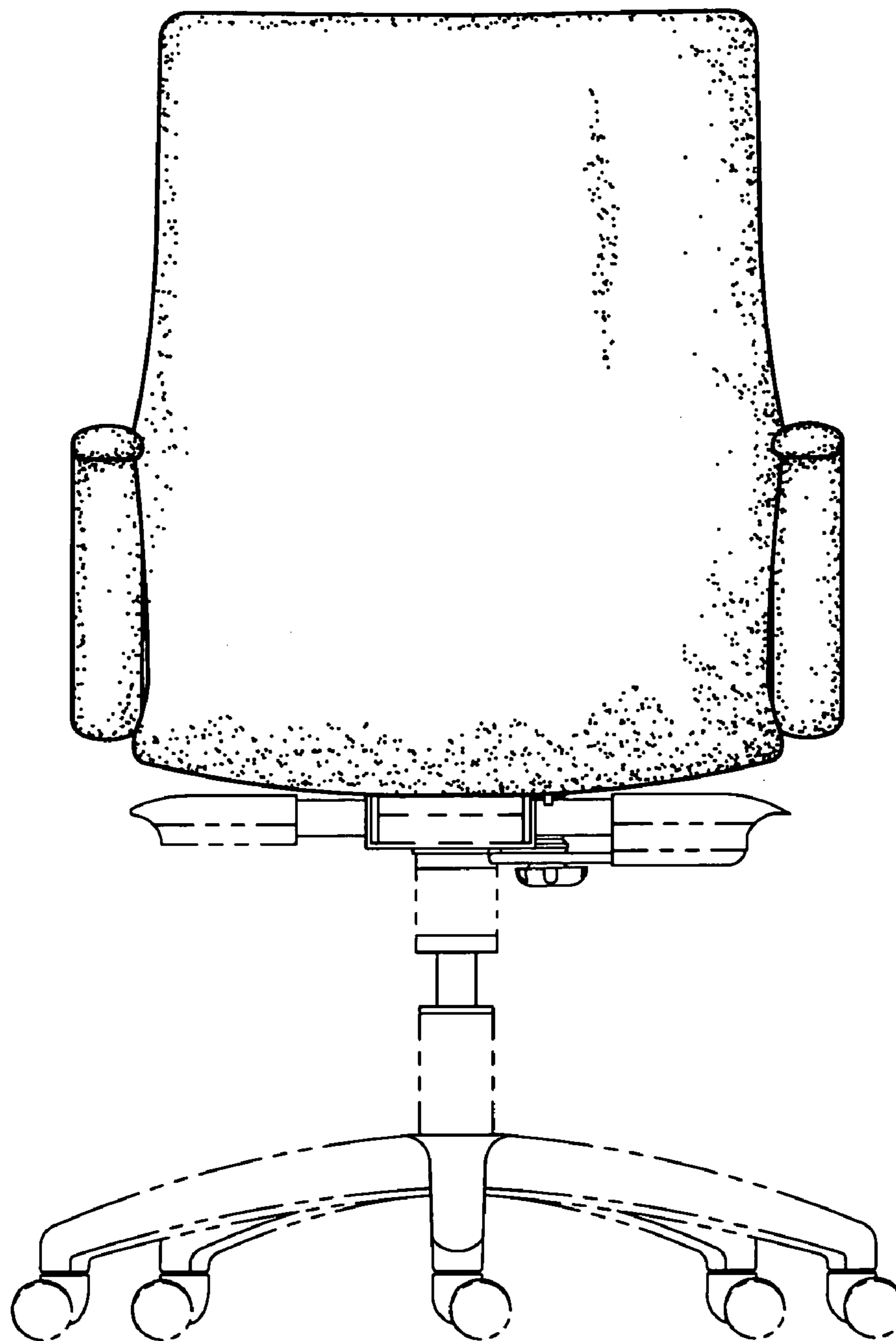
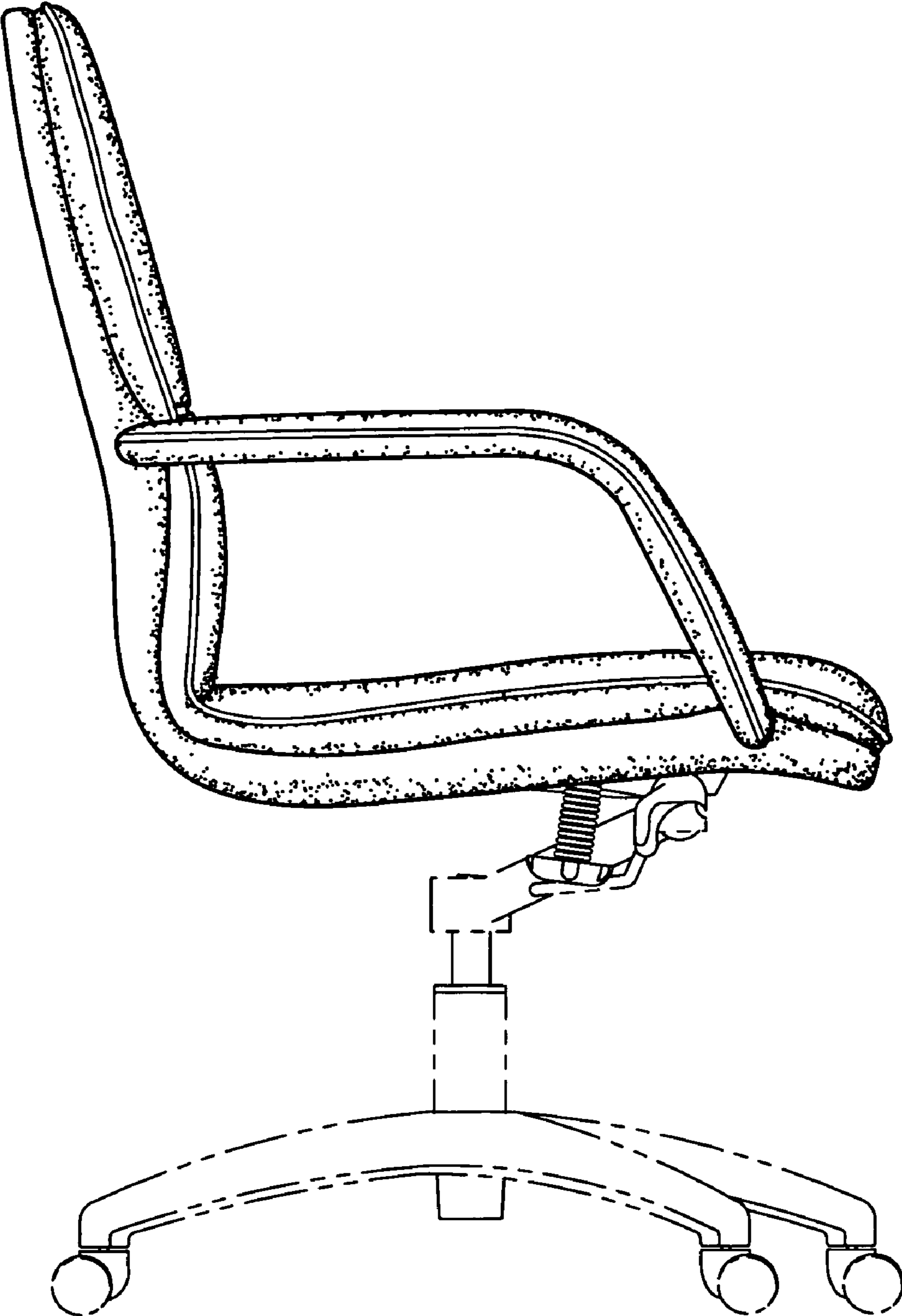


FIG. 4



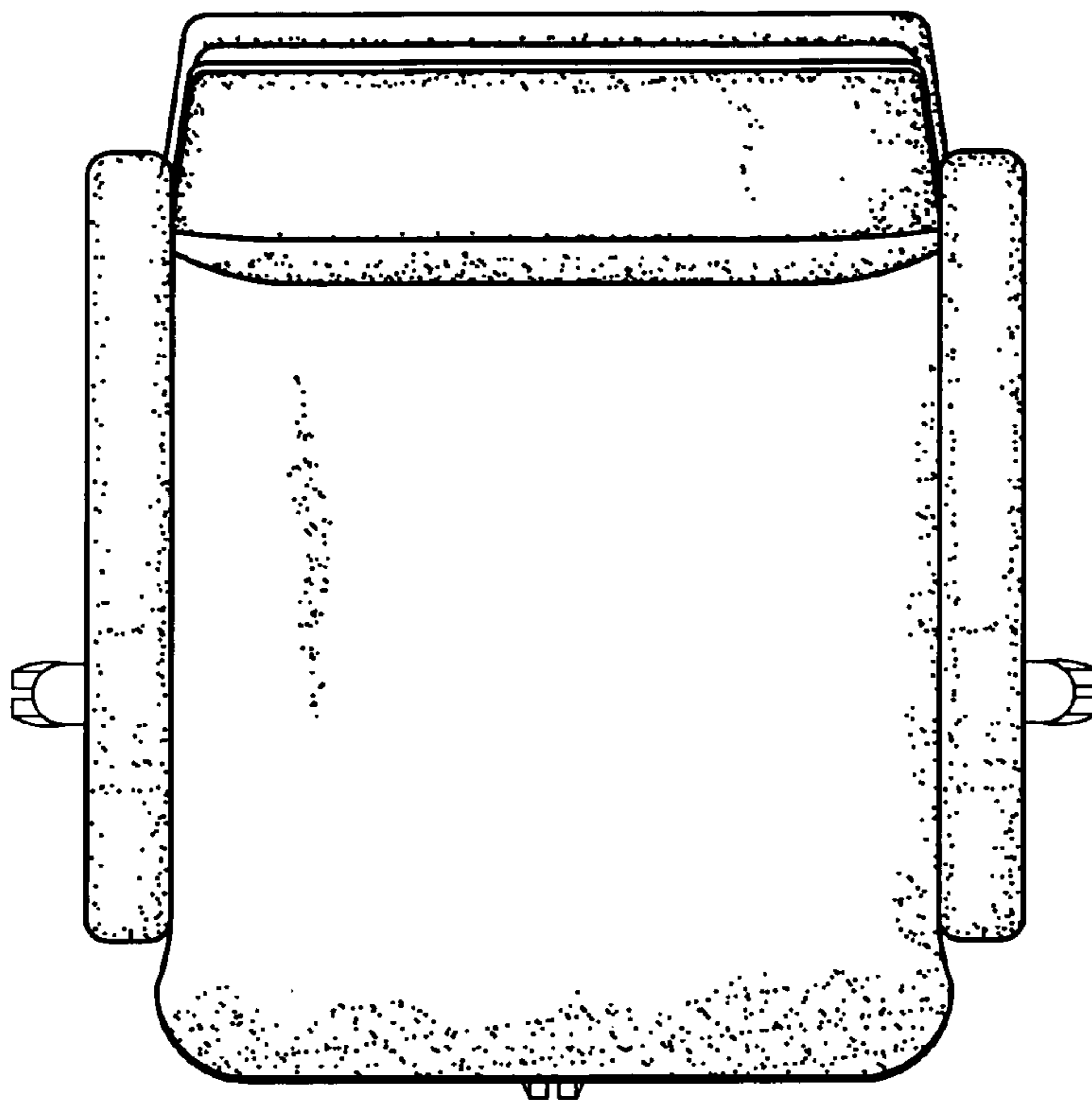


FIG. 5

FIG. 6

