

US00D663975S

(12) **United States Design Patent**
Kubryk

(10) **Patent No.:** **US D663,975 S**

(45) **Date of Patent:** **** Jul. 24, 2012**

(54) **TASK CHAIR**

D654,730 S * 2/2012 Kubryk D6/500
D655,539 S * 3/2012 Kubryk D6/500
D657,151 S * 4/2012 Lievore et al. D6/366

(76) Inventor: **Isaac Kubryk**, Lockeford, CA (US)

* cited by examiner

(**) Term: **14 Years**

Primary Examiner — Mimoso De

(21) Appl. No.: **29/374,884**

(74) *Attorney, Agent, or Firm* — Audrey A. Millemann;
Weintraub Genshlea et al.

(22) Filed: **Oct. 19, 2011**

(51) **LOC (9) Cl.** **06-01**

(52) **U.S. Cl.** **D6/500; D6/366**

(58) **Field of Classification Search** D6/334-336,
D6/364, 365, 366, 371-373, 374, 375, 379,
D6/380, 500-502; 297/411.2, 411.28, 452.12,
297/452.19, 452.26, 452.29, 452.32, 452.35,
297/452.48

See application file for complete search history.

(57) **CLAIM**

The ornamental design for a task chair, as shown and described.

DESCRIPTION

FIG. 1 is a perspective view of a task chair, looking toward the right front corner, showing my new design;
FIG. 2 is a front view thereof;
FIG. 3 is a back view thereof;
FIG. 4 is a right side view thereof;
FIG. 5 is a top view thereof; and,
FIG. 6 is a bottom view thereof.
The broken lines shown in the drawing are for illustrative purposes only and form no part of the claimed design.

(56) **References Cited**

U.S. PATENT DOCUMENTS

D260,204 S *	8/1981	Sapper	D6/366
D354,178 S *	1/1995	Ochsner	D6/366
D507,712 S *	7/2005	Grove	D6/500
D607,672 S *	1/2010	Kubryk	D6/500
D611,276 S *	3/2010	Kubryk	D6/500
D622,986 S *	9/2010	Kubryk	D6/500
D622,987 S *	9/2010	Kubryk	D6/500

1 Claim, 5 Drawing Sheets

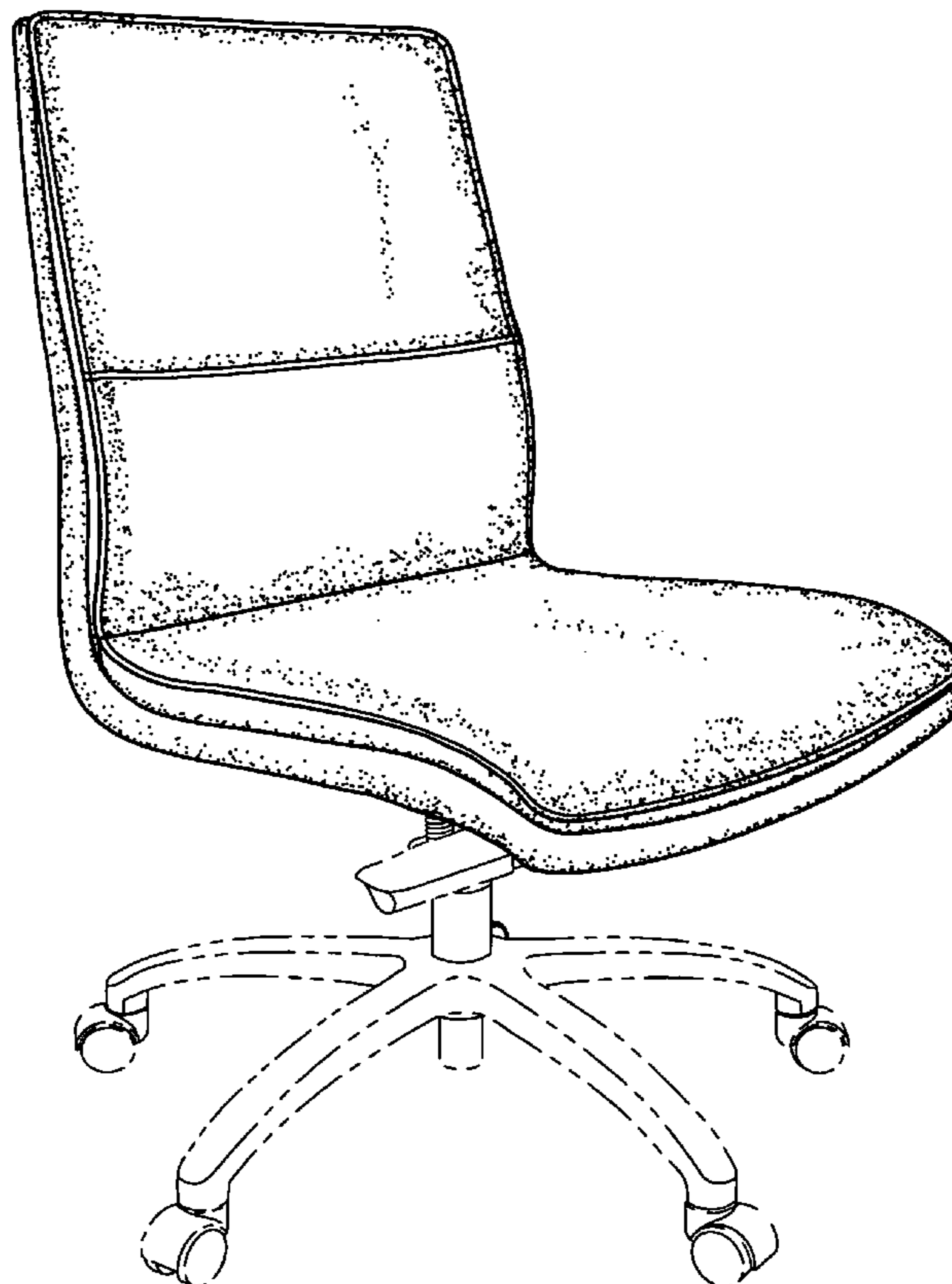


FIG. 1

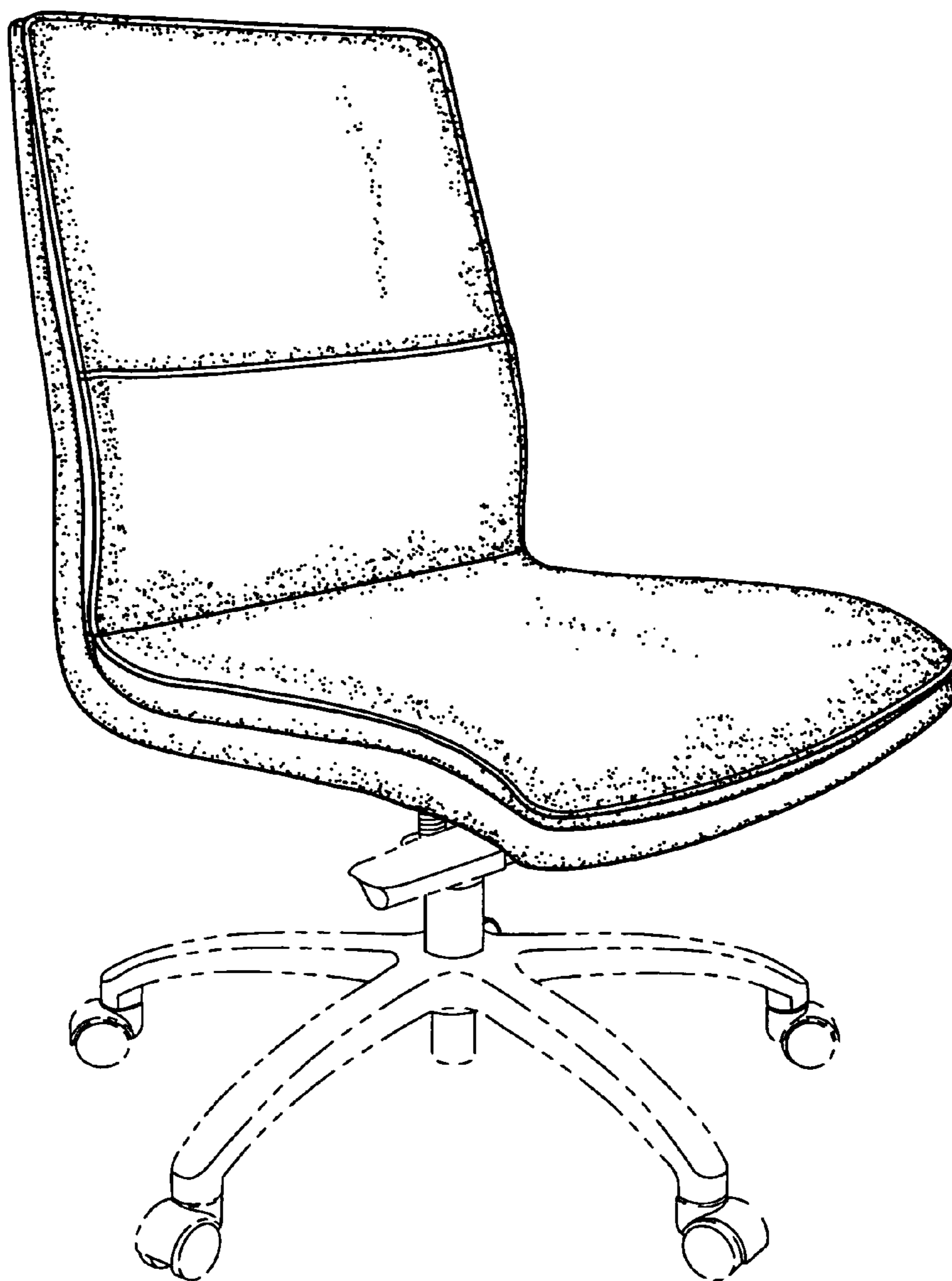


FIG. 2

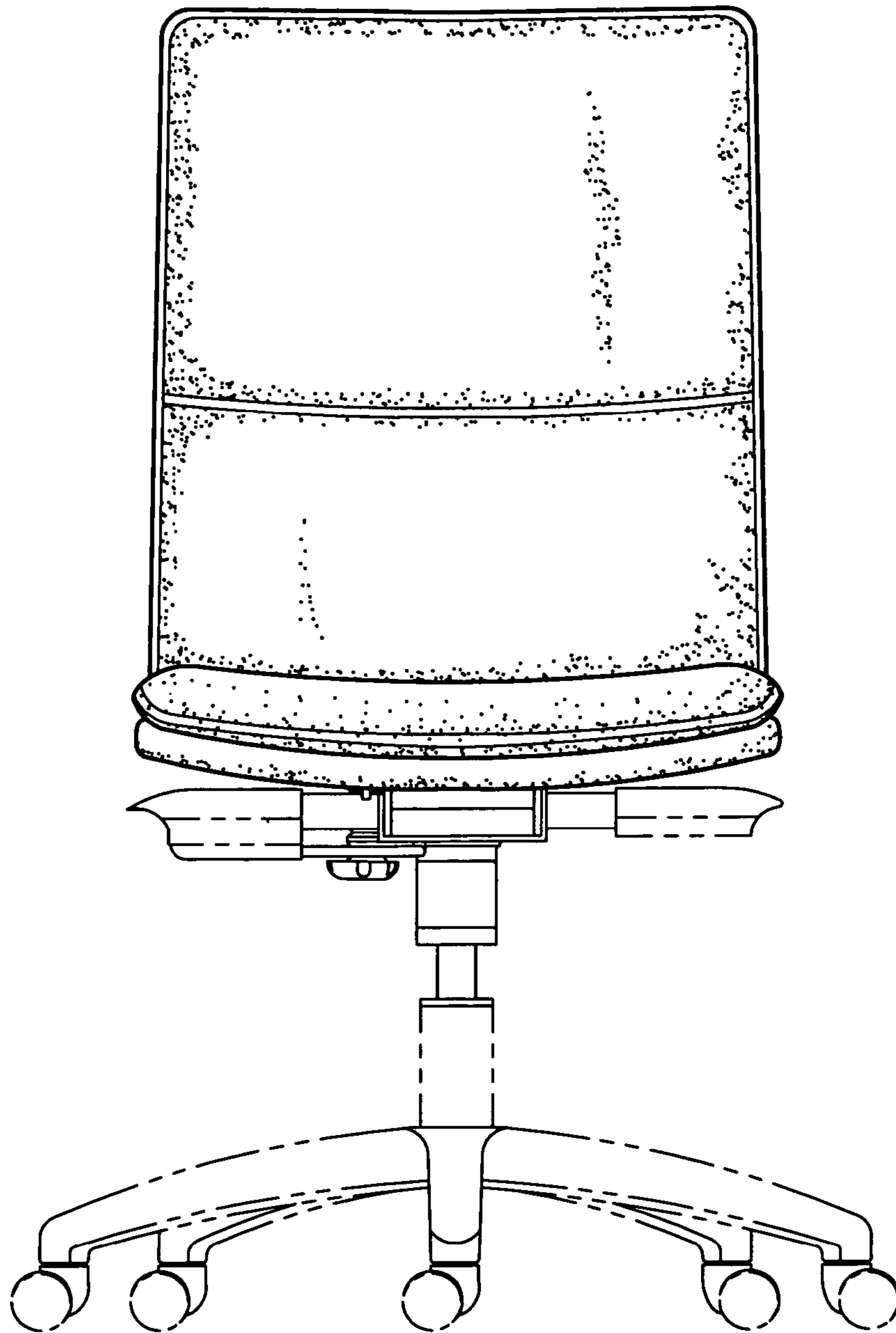


FIG. 3

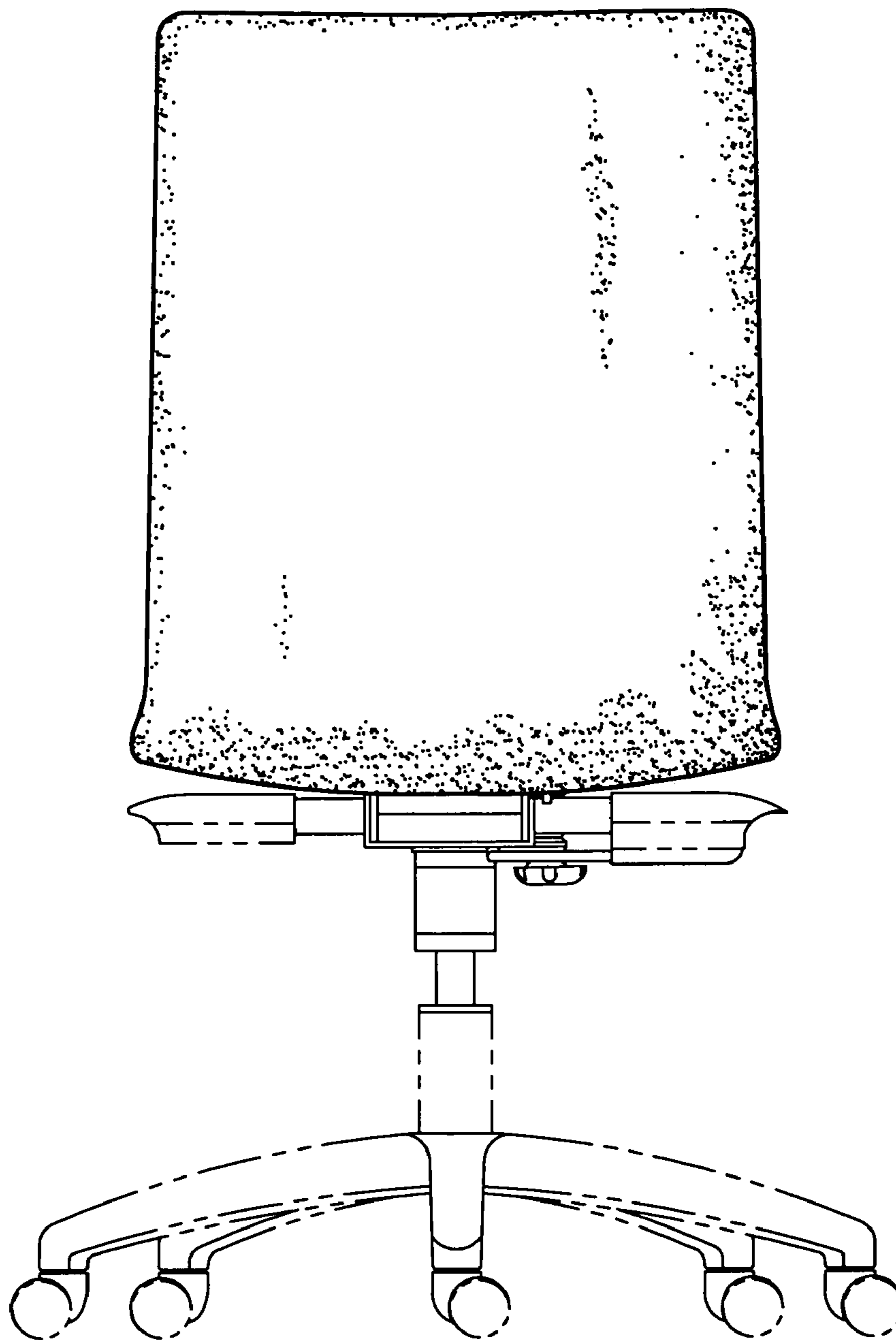
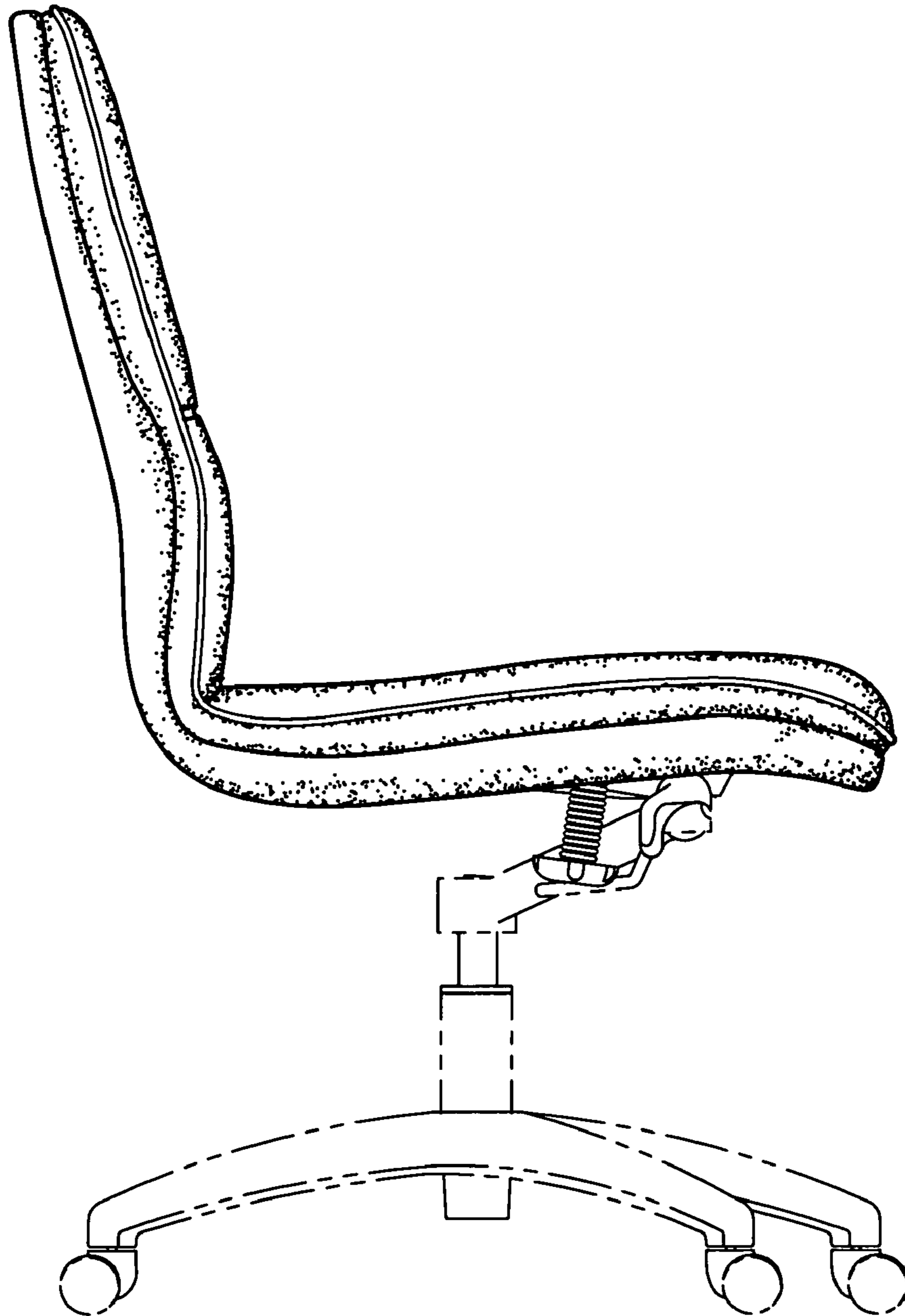


FIG. 4



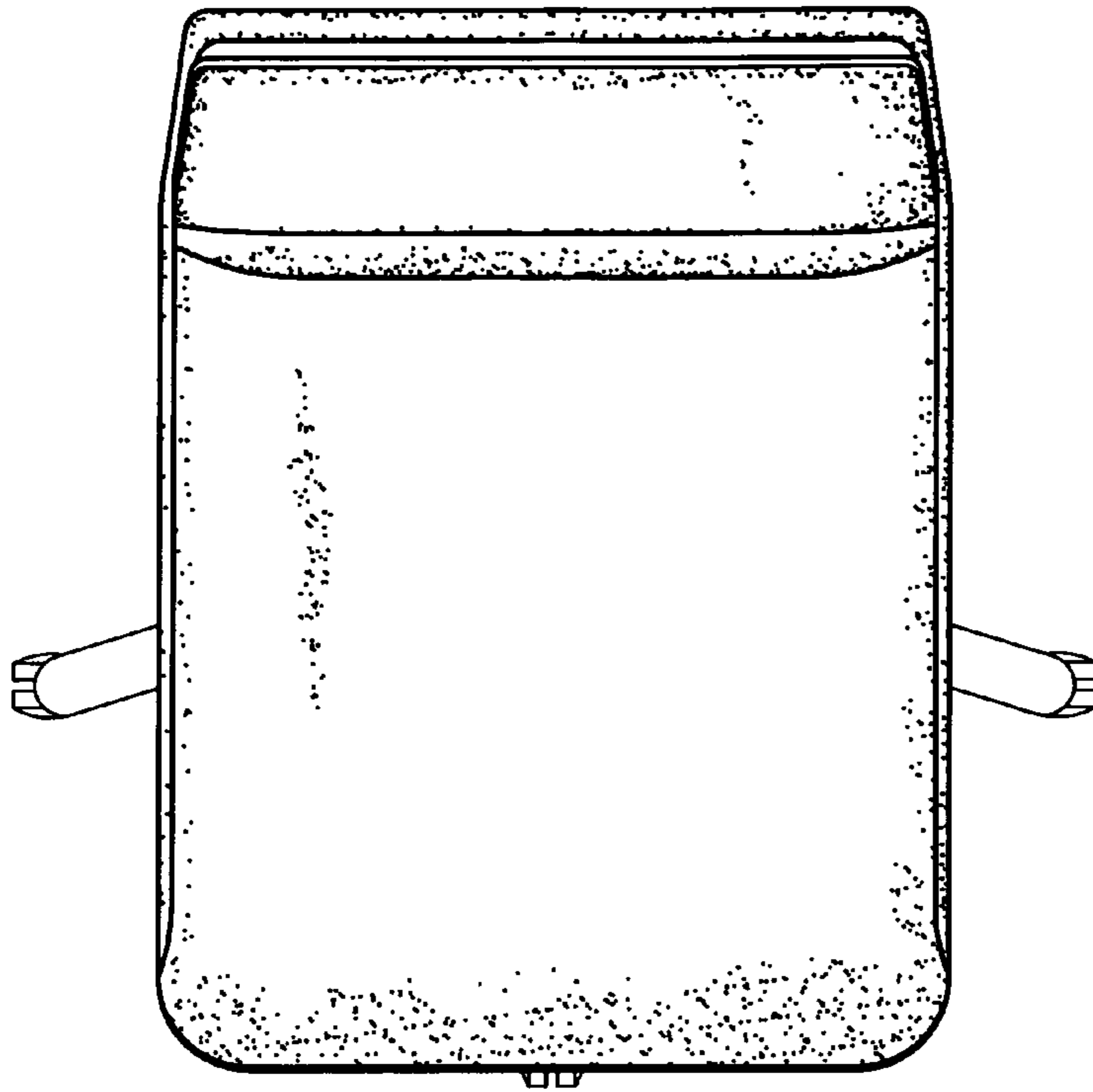


FIG. 5

FIG. 6

