

US00D663974S

(12) **United States Design Patent**
Swy

(10) **Patent No.:** **US D663,974 S**
(45) **Date of Patent:** **** Jul. 24, 2012**

(54) **CHAIR BASE**

- (75) Inventor: **Philip Swy**, Lambertville, MI (US)
- (73) Assignee: **Michigan Tube Swagers & Fabricators, Inc.**, Temperance, MI (US)
- (**) Term: **14 Years**
- (21) Appl. No.: **29/391,447**
- (22) Filed: **May 9, 2011**
- (51) **LOC (9) Cl.** **06-06**
- (52) **U.S. Cl.** **D6/499**
- (58) **Field of Classification Search** D6/376,
D6/379-381, 349, 499-500; 297/440.22,
297/452.2, 452.18-452.19, 452.21, 448.1
See application file for complete search history.

(56) **References Cited**

U.S. PATENT DOCUMENTS

D286,826 S *	11/1986	Colby	D6/379
D319,930 S *	9/1991	Glendinning	D6/370
D333,750 S *	3/1993	Hess	D6/500
D421,344 S *	3/2000	Kaiser	D6/334
D442,399 S *	5/2001	Markus	D6/500
D470,317 S *	2/2003	Roth	D6/334
D472,723 S *	4/2003	Haney et al.	D6/373
D483,304 S *	12/2003	Ford	D12/133
D524,082 S *	7/2006	Dettmann et al.	D6/500
D539,060 S *	3/2007	Egger	D6/501
D541,069 S	4/2007	Peitz et al.	
D543,738 S *	6/2007	Quicoy	D6/500
D547,979 S *	8/2007	Glass et al.	D6/500
D557,513 S *	12/2007	Benden et al.	D6/349
D571,129 S *	6/2008	Sottsass	D6/500
D574,623 S *	8/2008	Bartlmae	D6/374
D589,725 S *	4/2009	Adams et al.	D6/495
7,621,600 B2 *	11/2009	Buchbinder	297/452.19
D618,934 S *	7/2010	Adams et al.	D6/484
D640,067 S *	6/2011	Weimer et al.	D6/379
D645,267 S *	9/2011	Aubry et al.	D6/360
D646,087 S *	10/2011	Miller et al.	D6/500
D648,963 S *	11/2011	Brodbeck	D6/500

OTHER PUBLICATIONS

Printout from web catalog of the model SA114 chair—<http://beaufurn.com/products/detail/sa114/19/> (believed to have been offered for sale, publicly used, and/or published prior to the filing date of this application).

Printout from web catalog of the model SAB-115 barstool—<http://beaufurn.com/products/detail/sab-115-barstool/> (believed to have been offered for sale, publicly used, and/or published prior to the filing date of this application).

Printout from the Sandler Seating catalog of the model 703 Wave chair—(believed to have been offered for sale, publicly used, and/or published prior to the filing date of this application).

Printout from the Beaufurn catalog of the model SA-312 Slick chair—(believed to have been offered for sale, publicly used, and/or published prior to the filing date of this application).

Printout from the Beaufurn catalog of the model SA-315 chair—(believed to have been offered for sale, publicly used, and/or published prior to the filing date of this application).

(Continued)

Primary Examiner — Kelley Donnelly

(74) *Attorney, Agent, or Firm* — Gifford, Krass, Sprinkle, Anderson & Citkowski, P.C.; Douglas L. Wathen

(57) **CLAIM**

The ornamental design for a chair base, as shown and described.

DESCRIPTION

FIG. 1 is a perspective view of a chair base according to the present invention;

FIG. 2 is a front elevational view thereof;

FIG. 3 is a rear elevational view thereof;

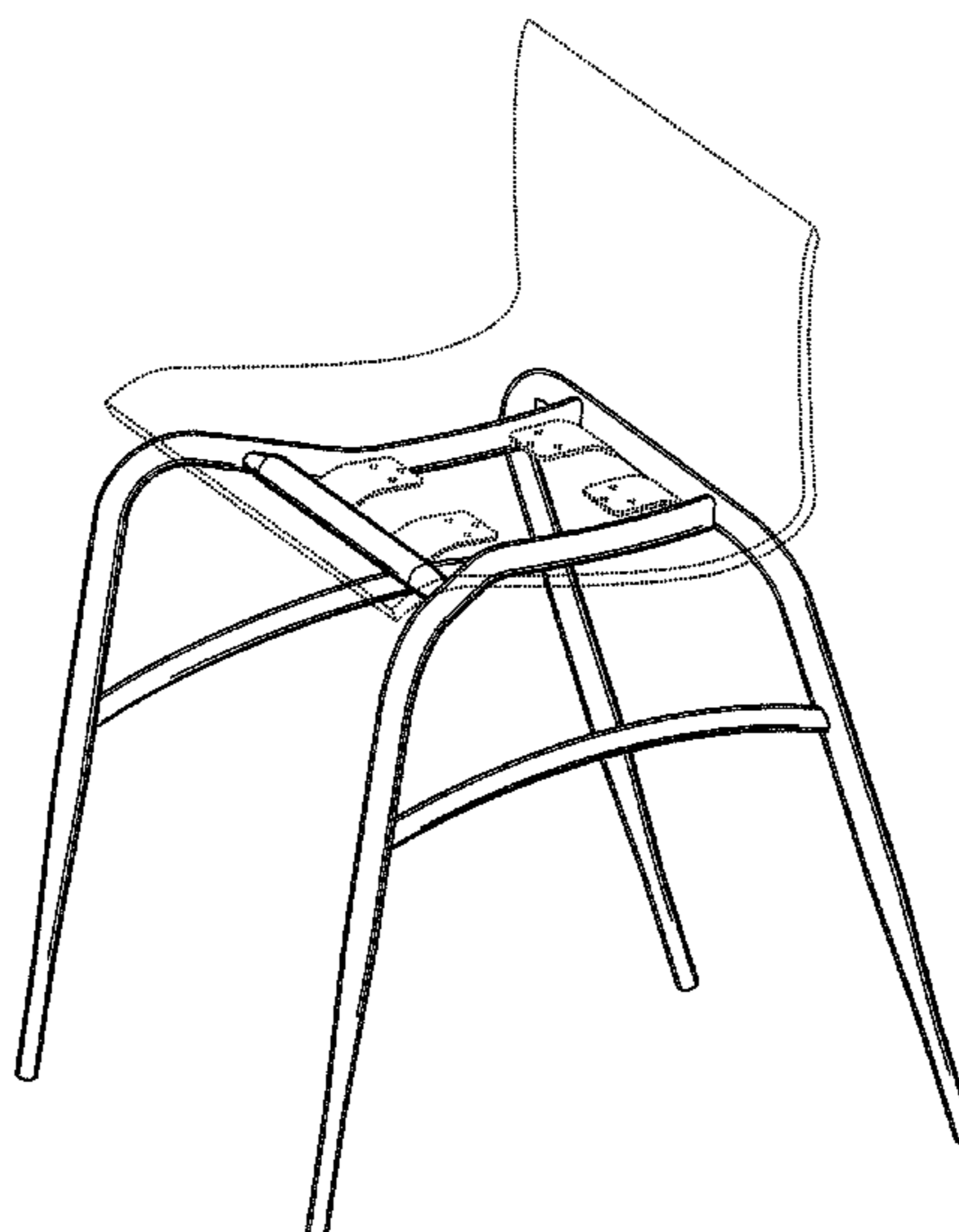
FIG. 4 is a top view thereof;

FIG. 5 is a bottom view thereof; and,

FIG. 6 is a side elevational view thereof, the opposite side being a mirror image.

The broken lines shown in the Figures are for environmental purposes only and form no part of the claimed design.

1 Claim, 5 Drawing Sheets



OTHER PUBLICATIONS

Printout from the Beaufurn catalog of the model SA-308 Slick chair—(believed to have been offered for sale, publicly used, and/or published prior to the filing date of this application).

Printout from the Beaufurn catalog of the Yvonne Bar Stool DF (believed to have been offered for sale, publicly used and/or published prior to the filing date of this application).

Printout from the Sandler Seating web catalog of the Art 098 Idra chair—<http://www.sandlerseating.com/auditorium/productview.php?v=print&tab=1&id=172> (believed to have been offered for sale, publicly used, and/or published prior to the filing date of this application).

Printout from the Sandler Seating web catalog of the Art 098 Ultra-X FPF chair—<http://www.sandlerseating.com/auditorium/productview.php?v=print&tab=1&id=894> (believed to have been offered for sale, publicly used, and/or published prior to the filing date of this application).

Printout from the Sandler Seating web catalog of the Art 098 Ultra-X FPF chair—<http://www.sandlerseating.com/auditorium/productview.php?v=print&tab=1&id=894> (believed to have been offered for sale, publicly used, and/or published prior to the filing date of this application).

Printout from the Beaufurn catalog of the Diamond Bar Stool (believed to have been offered for sale, publicly used, and/or published prior to the filing date of this application).

Printout from the Beaufurn catalog of the model SA-03 Jill bar stool (believed to have been offered for sale, publicly used, and/or published prior to the filing date of this application).

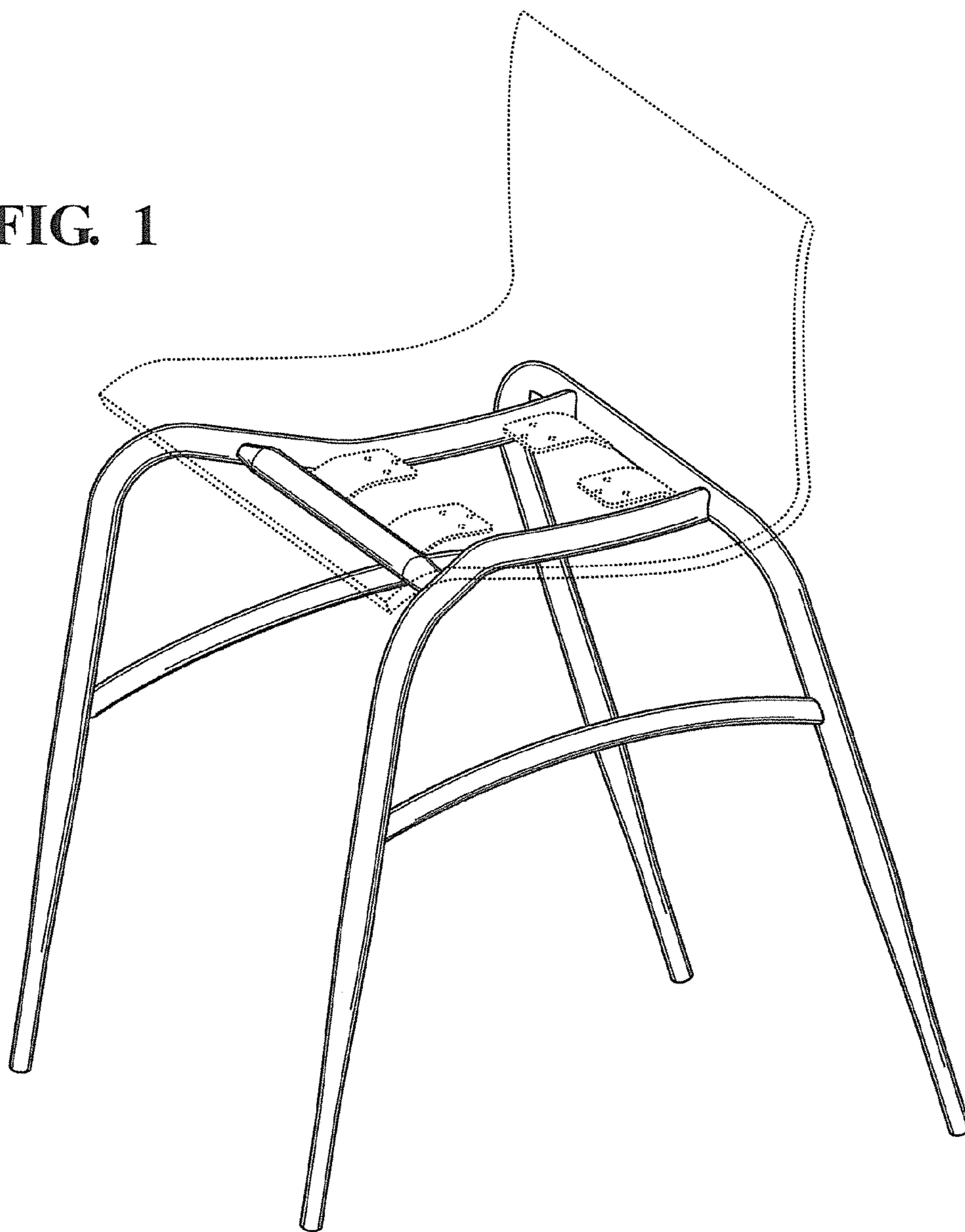
Printout from the Beaufurn catalog of the model SA-307 Damian bar stool (believed to have been offered for sale, publicly used, and/or published prior to the filing date of this application).

Printout from the Grand Rapids Chair Company catalog of the model 950BS Mojo Barstool (believed to have been offered for sale, publicly used, and/or published prior to the filing date of this application).

Printout from the Grand Rapids Chair Company catalog of the model 960BS Allison Barstool (believed to have been offered for sale, publicly used, and/or published prior to the filing date of this application).

* cited by examiner

FIG. 1



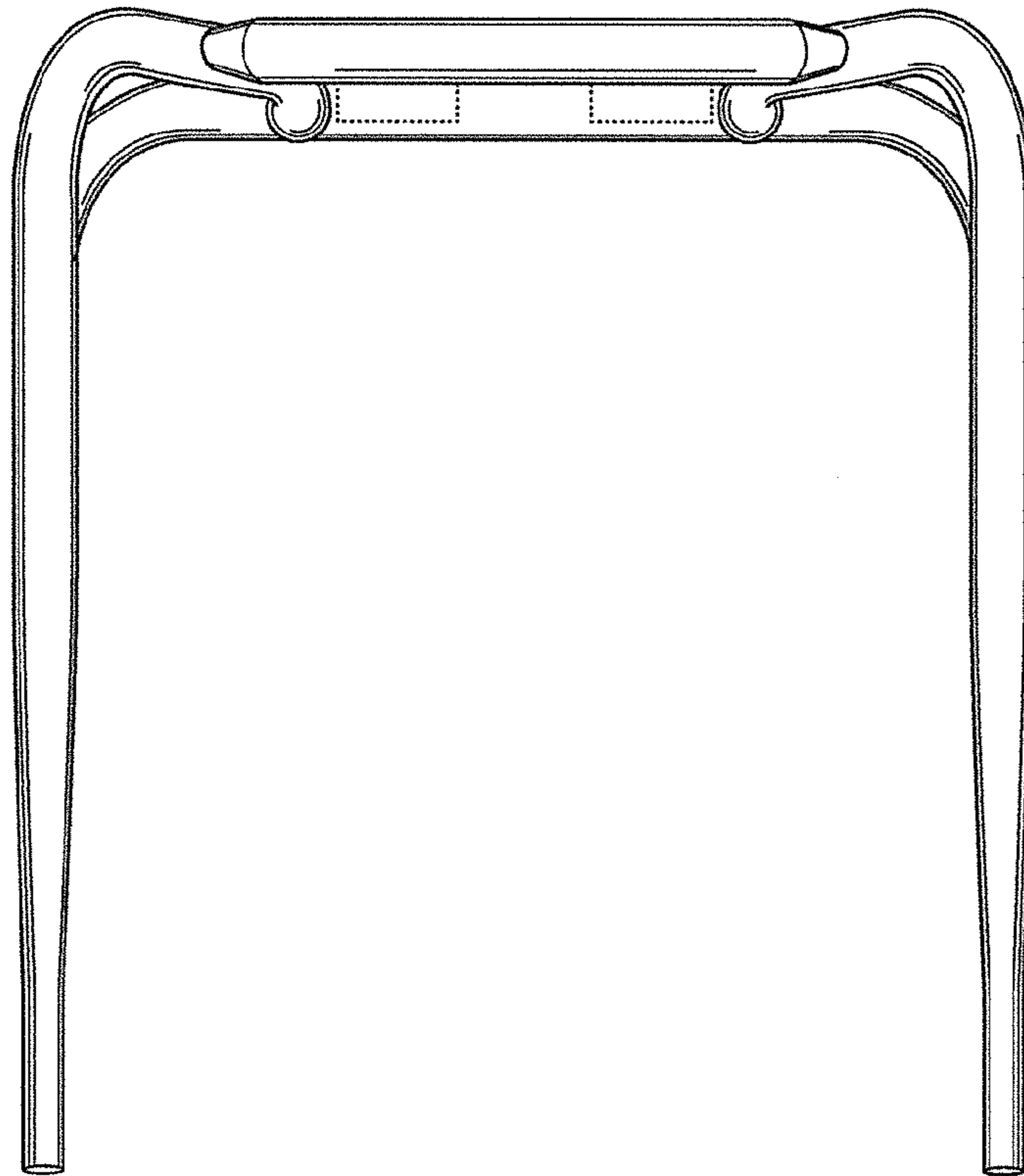


FIG. 2

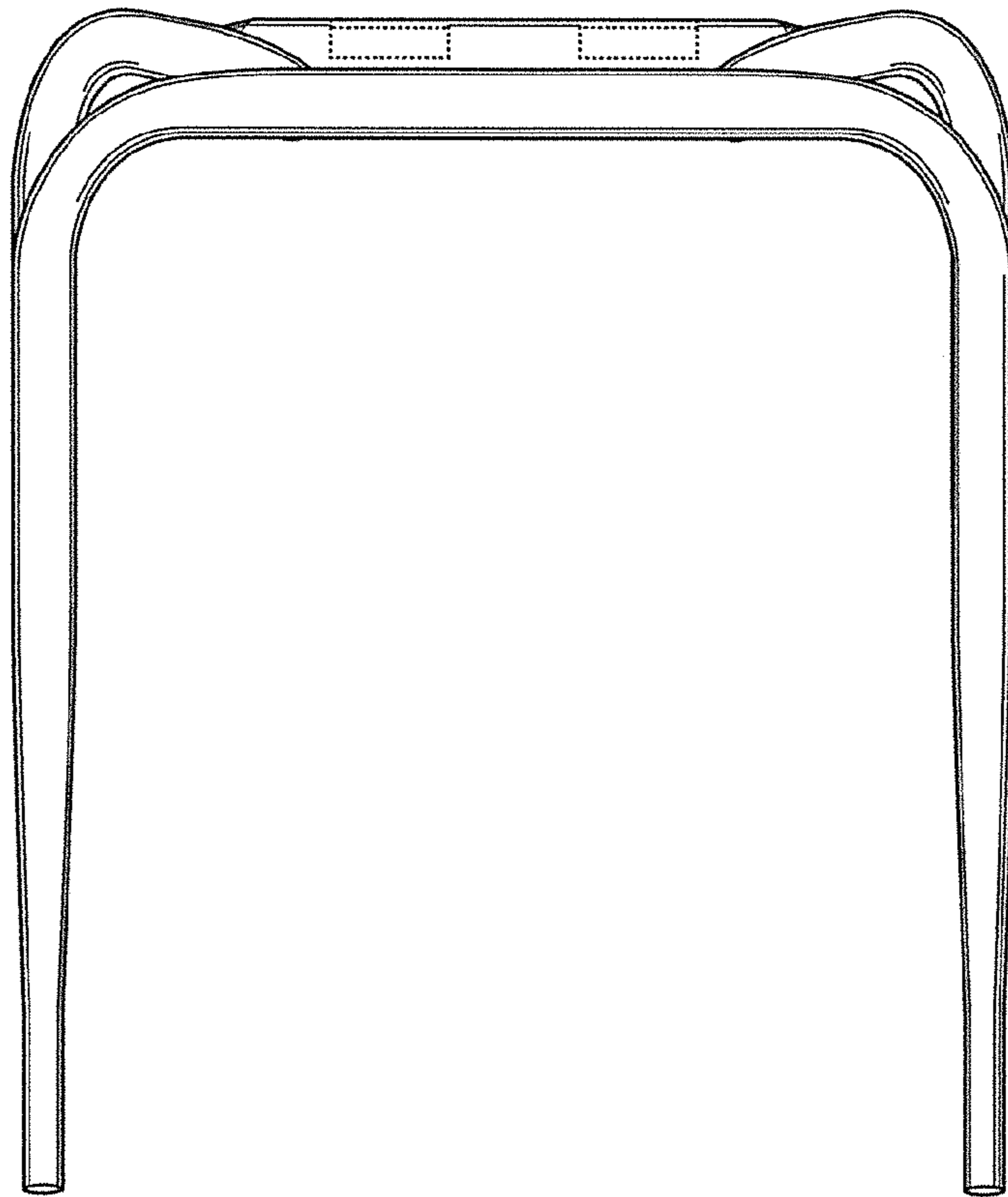
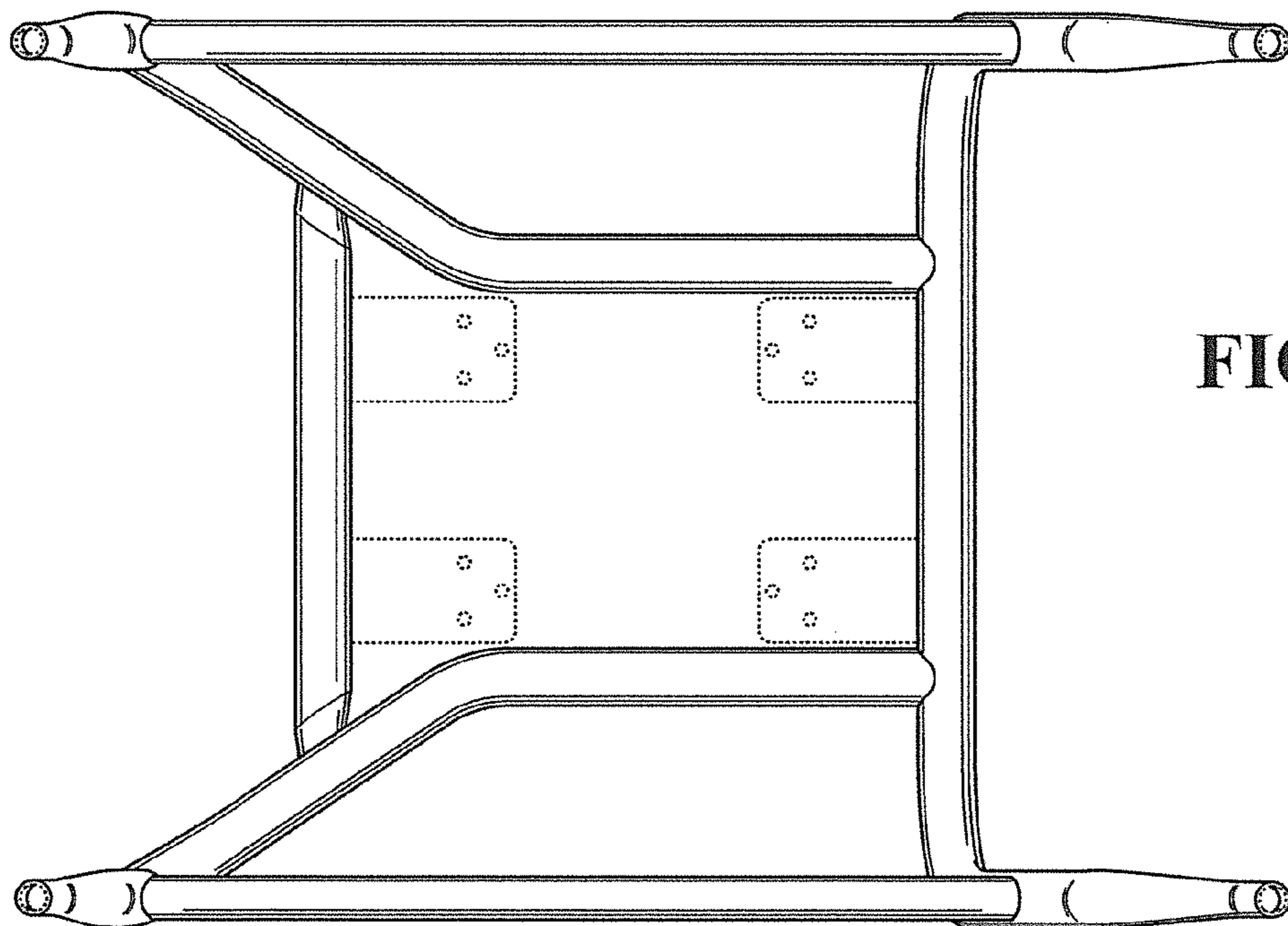
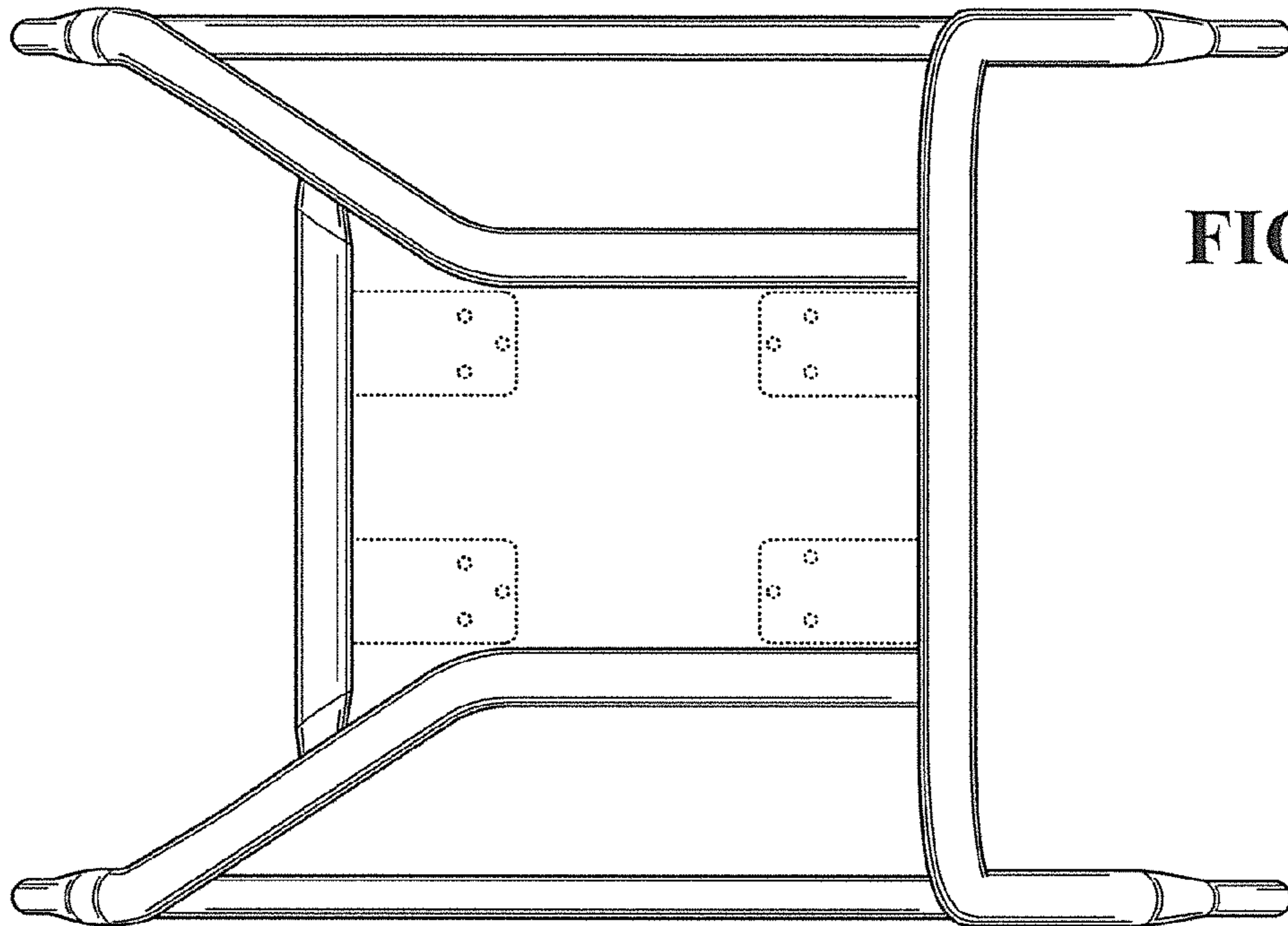


FIG. 3



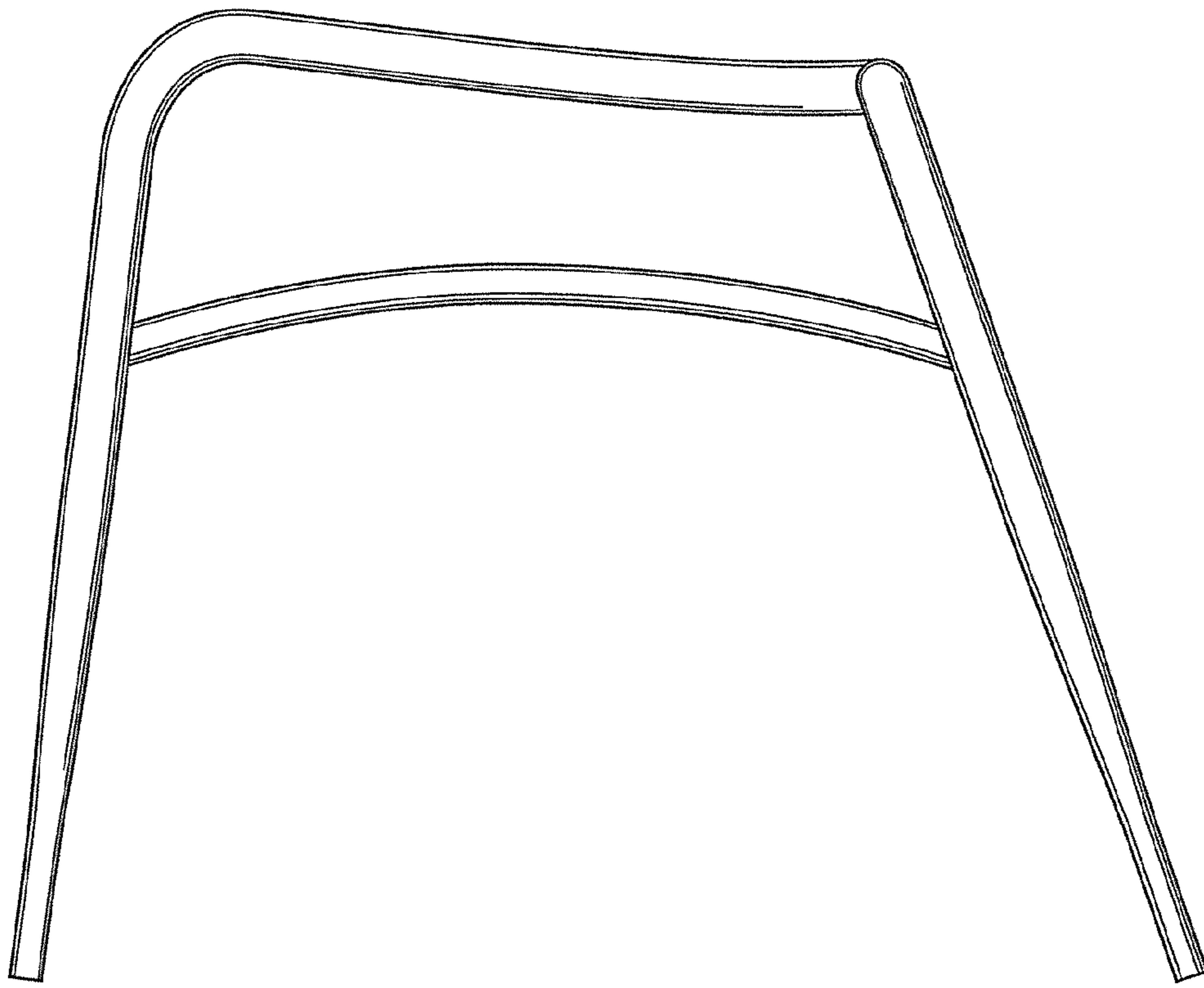


FIG. 6