

US00D663973S

(12) **United States Design Patent**
Sullivan

(10) **Patent No.:** **US D663,973 S**

(45) **Date of Patent:** **** Jul. 24, 2012**

(54) **TABLE**

(75) **Inventor:** **Daniel Sullivan**, Chicago, IL (US)

(73) **Assignee:** **Daniel Sullivan**, Chicago, IL (US)

(**) **Term:** **14 Years**

(21) **Appl. No.:** **29/402,965**

(22) **Filed:** **Sep. 29, 2011**

(51) **LOC (9) Cl.** **06-03**

(52) **U.S. Cl.** **D6/484**

(58) **Field of Classification Search** D6/480-489,
D6/495-499, 429, 450, 451; 108/150, 153.1,
108/156, 157, 161; 248/188, 118.1, 188.5,
248/188.7, 188.8

See application file for complete search history.

(56) **References Cited**

U.S. PATENT DOCUMENTS

D85,814 S * 12/1931 Critchfield et al. D6/462
D159,561 S * 8/1950 Tanier D6/480

4,569,496 A * 2/1986 Fleishman 248/165
D422,430 S * 4/2000 Wilton D6/429
D487,204 S * 3/2004 Calaboyias D6/485
D549,490 S * 8/2007 Brimacombe et al. D6/480

* cited by examiner

Primary Examiner — Janice Seeger

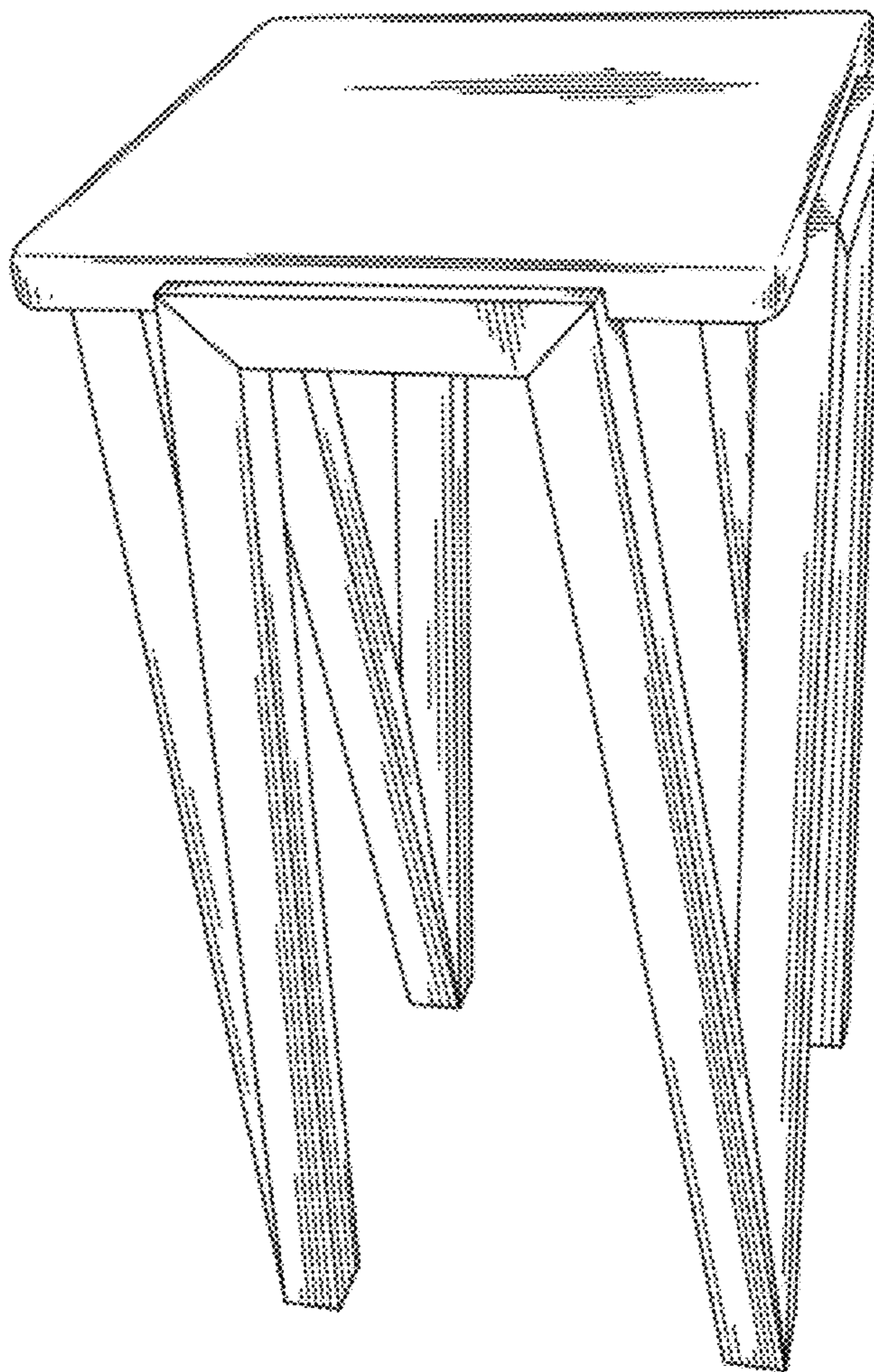
(57) **CLAIM**

The ornamental design for a table, as shown and described.

DESCRIPTION

FIG. 1 is a top, front, right perspective view of a table showing an embodiment of my new design; FIG. 2 is a front view thereof; FIG. 3 is a left side view thereof; FIG. 4 is a rear view thereof; FIG. 5 is a right side view thereof; FIG. 6 is a top view thereof; and, FIG. 7 is a bottom view thereof.

1 Claim, 6 Drawing Sheets



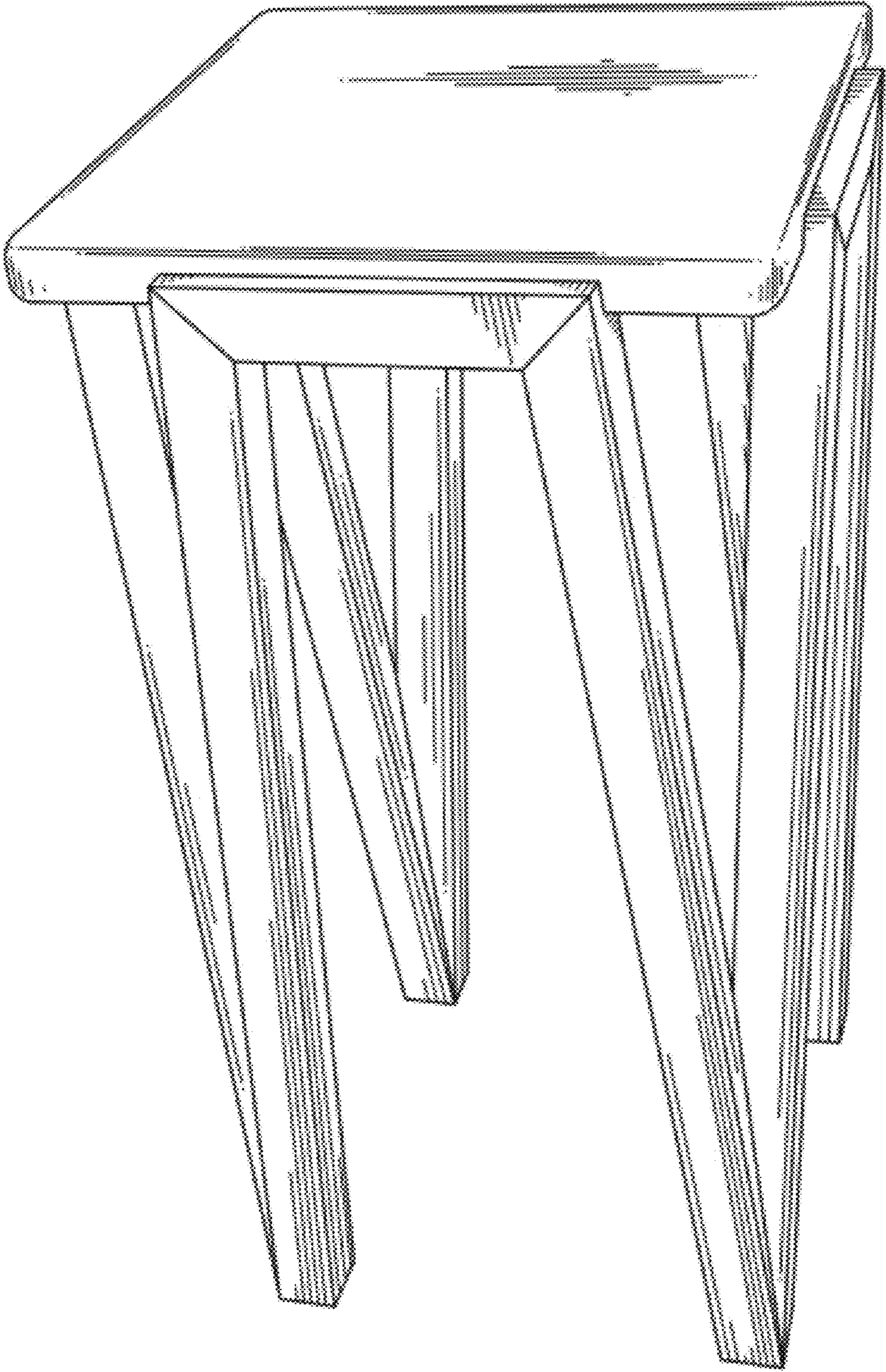


FIG. 1

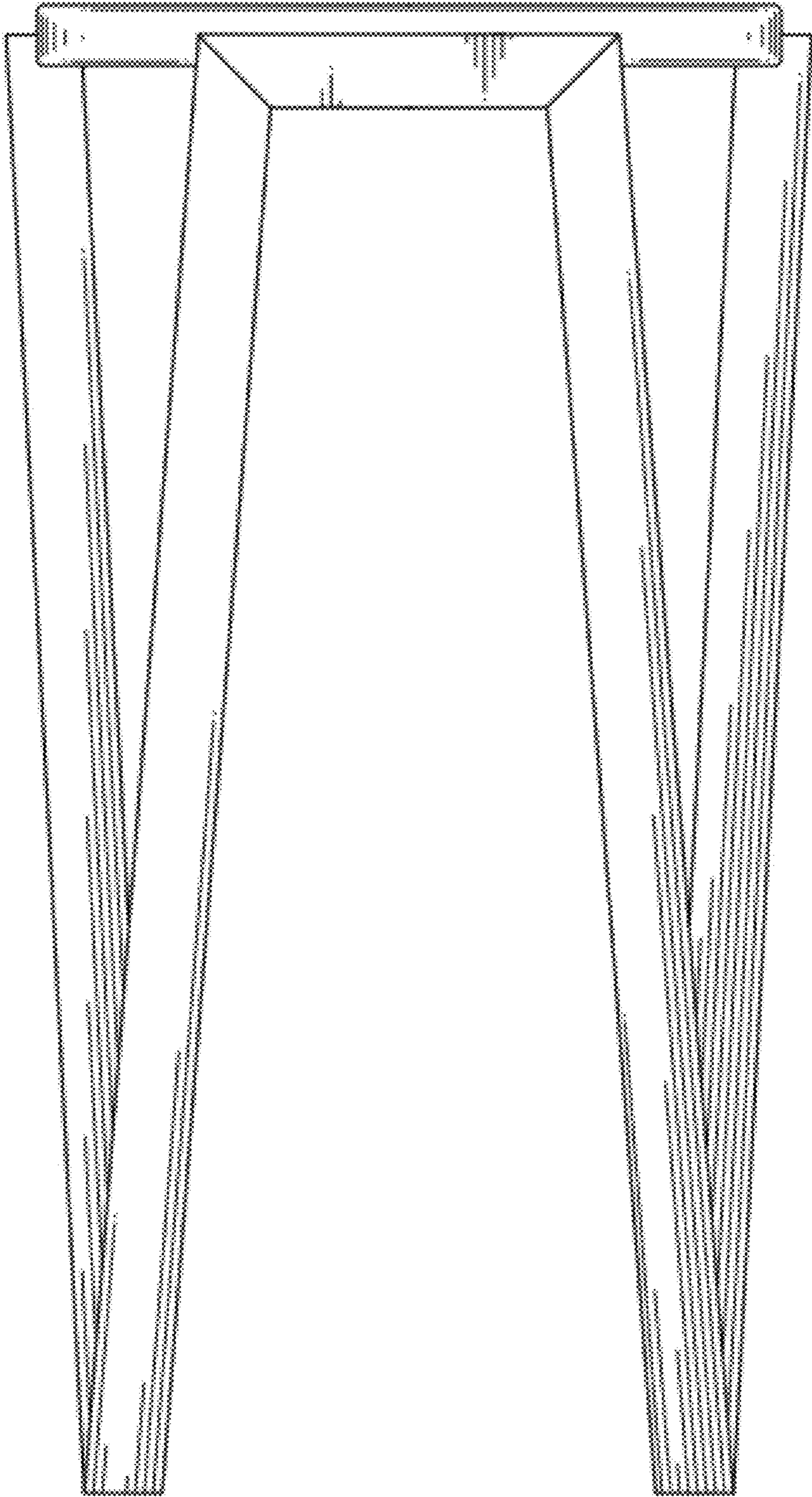


FIG. 2

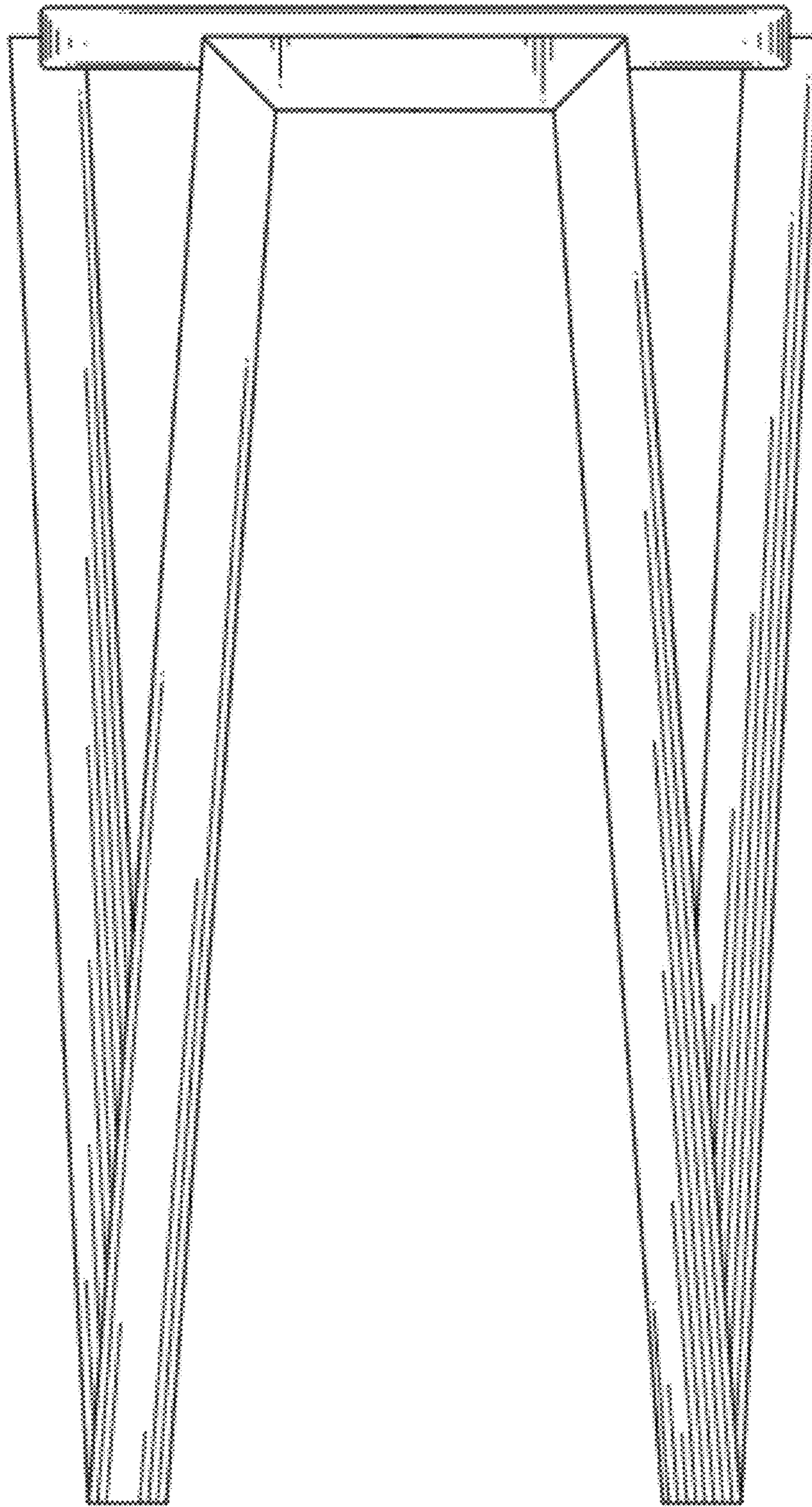


FIG. 3

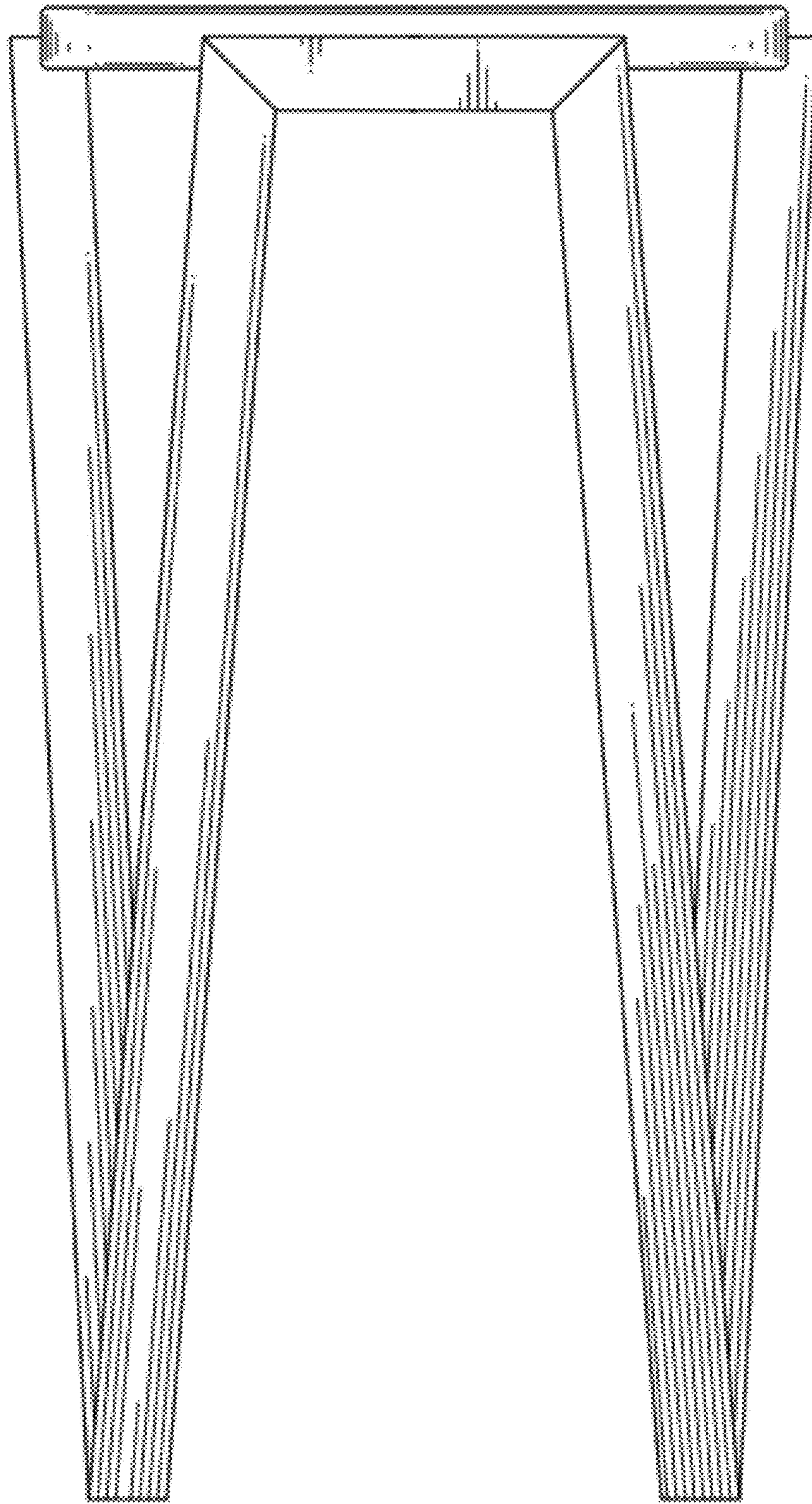


FIG. 4

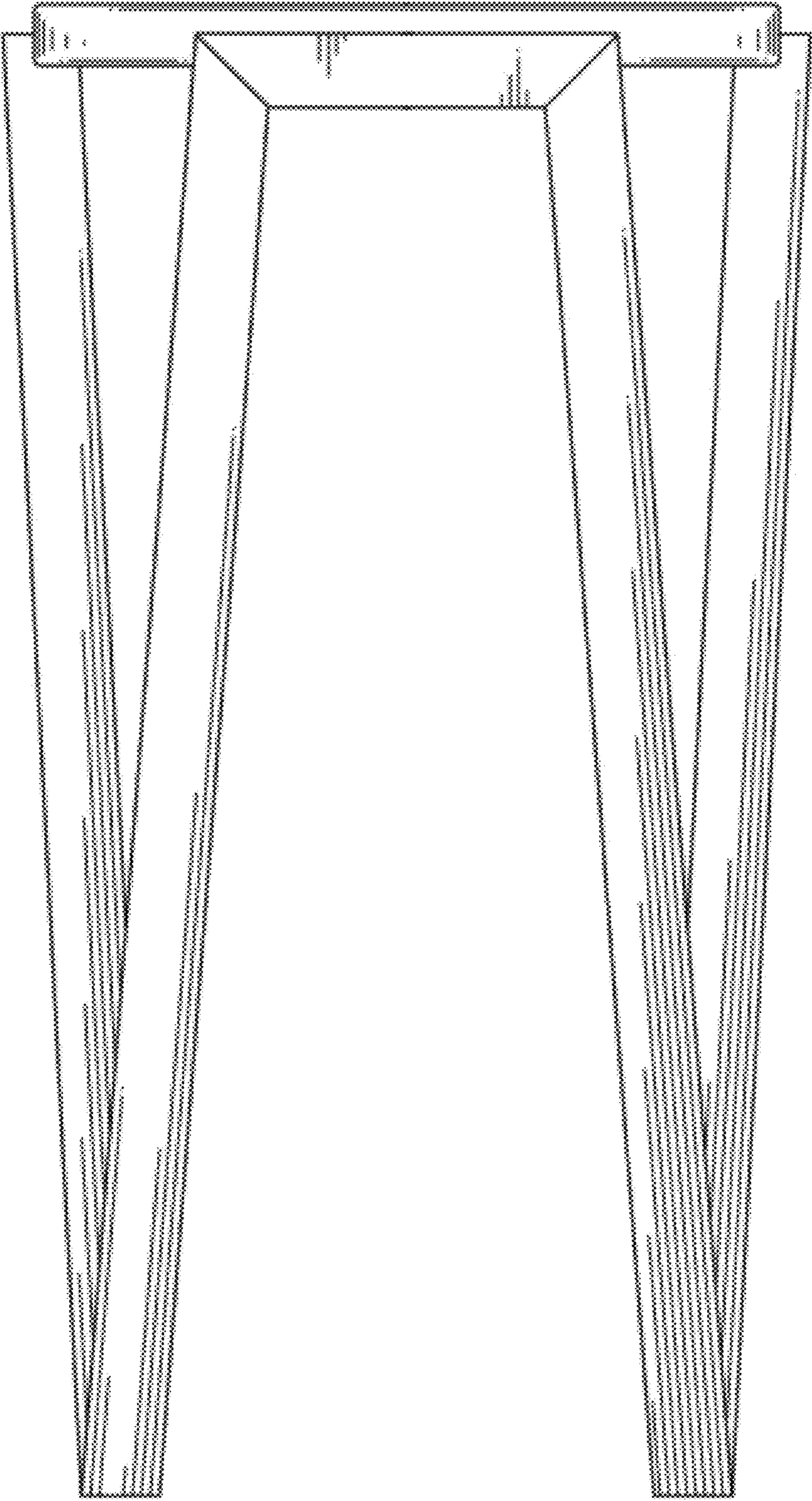


FIG. 5

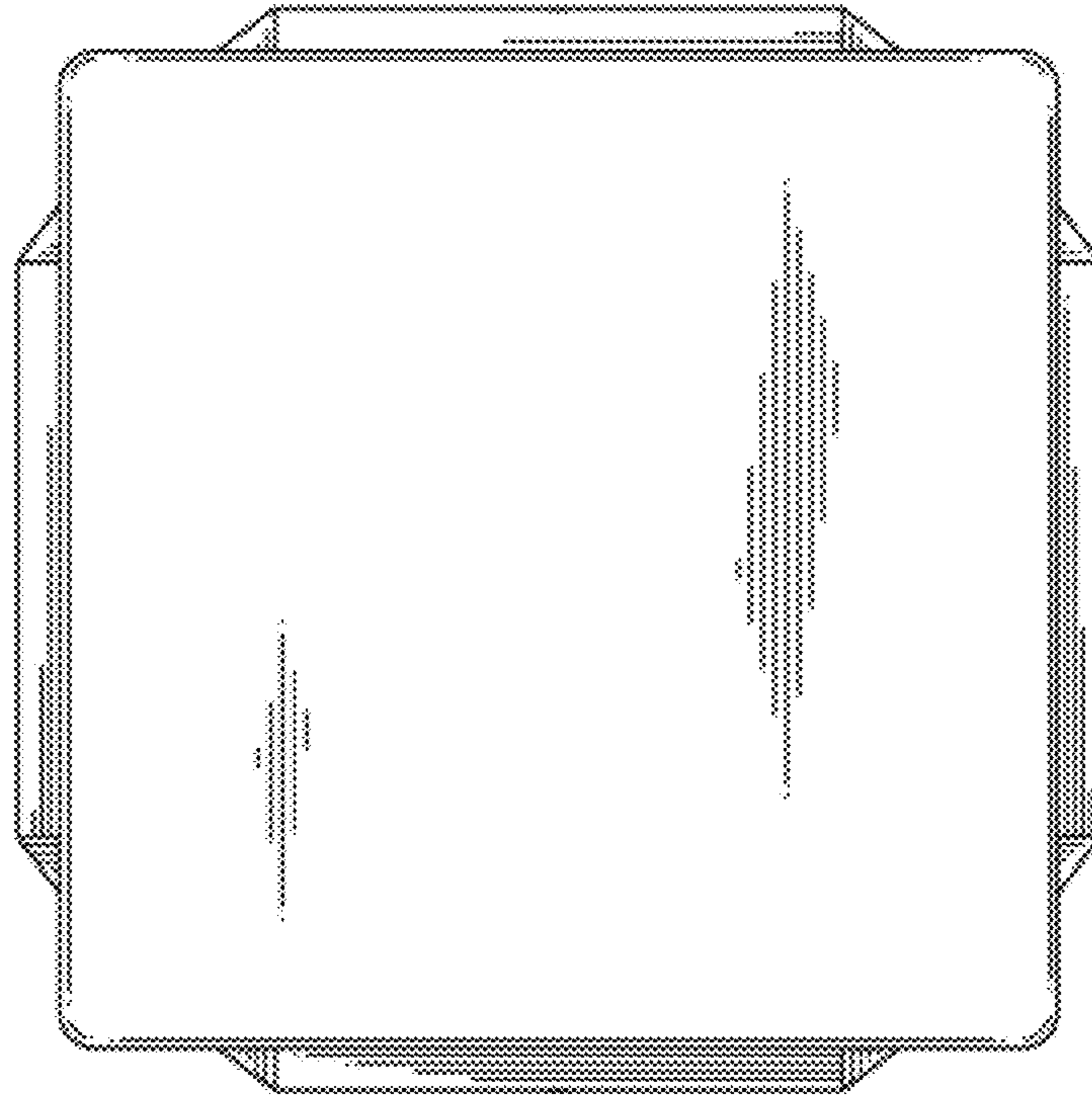


FIG. 6

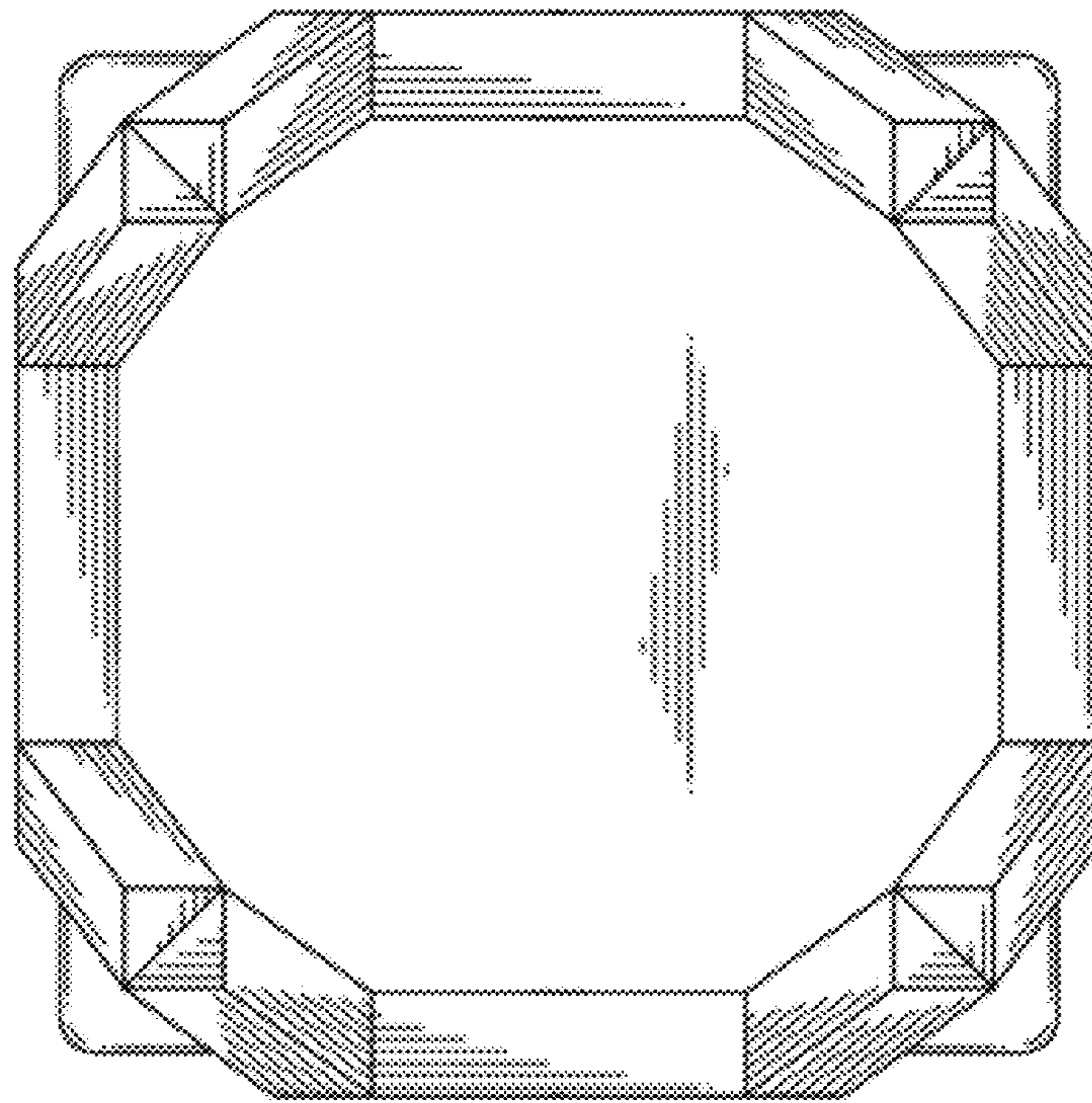


FIG. 7