



US00D663972S

(12) **United States Design Patent**
Alexander et al.

(10) **Patent No.:** **US D663,972 S**

(45) **Date of Patent:** **** Jul. 24, 2012**

(54) **ANGLED RISER FOR PRODUCT DISPLAY**

(75) Inventors: **Christopher Alexander**, Hillsboro, OR
(US); **Michael Grant**, Hillsboro, OR
(US)

(73) Assignee: **Merchandising Technologies, Inc.**,
Hillsboro, OR (US)

(**) Term: **14 Years**

(21) Appl. No.: **29/388,726**

(22) Filed: **Mar. 31, 2011**

(51) **LOC (9) Cl.** **06-04**

(52) **U.S. Cl.** **D6/466**

(58) **Field of Classification Search** D6/396,
D6/397, 408, 409, 449, 450, 454-469; 211/1,
211/10, 13.1, 24, 26, 27, 44, 50-53, 59.2,
211/59.3, 70, 70.1, 71.01, 85.2, 163, 183;
D14/447; D24/166; 40/642.02; 248/121,
248/125.8, 125.9, 176.1

See application file for complete search history.

(56) **References Cited**

U.S. PATENT DOCUMENTS

D244,857 S * 6/1977 Hayes D24/166
D409,018 S * 5/1999 Deuschle D6/466
D545,826 S * 7/2007 Richter D14/447

7,654,399 B2 * 2/2010 Scholen et al. 211/26
D645,047 S * 9/2011 Wike D14/447
2007/0145210 A1 * 6/2007 Fawcett et al. 248/176.1
2010/0326934 A1 * 12/2010 Goldberg 211/85.2
2011/0047844 A1 * 3/2011 Fawcett et al. 40/642.02
2011/0114804 A1 * 5/2011 Liu et al. 248/121

* cited by examiner

Primary Examiner — Mary Ann Calabrese

(74) *Attorney, Agent, or Firm* — Bruce A. Kaser

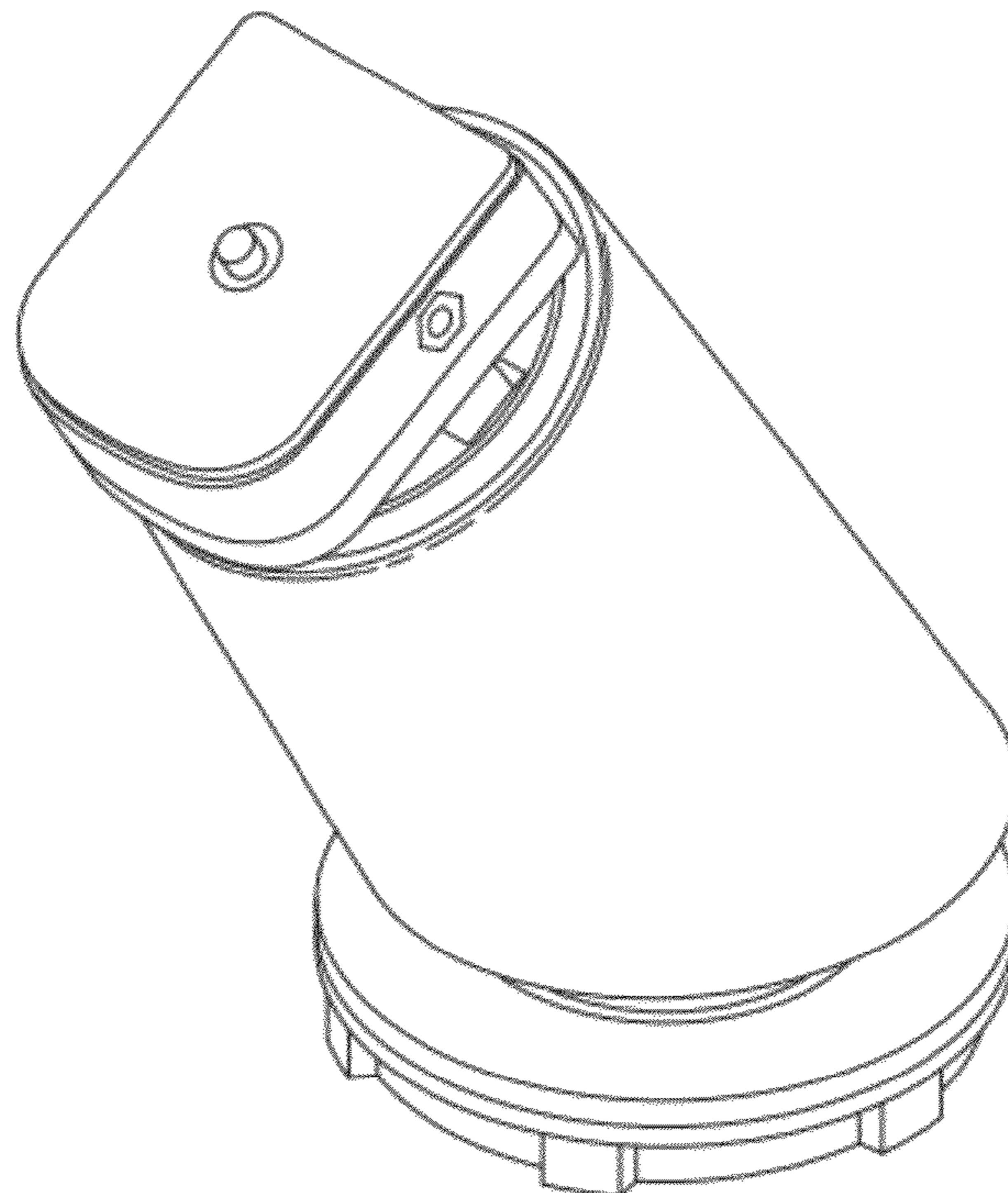
(57) **CLAIM**

The ornamental design for an angled riser for product display,
as shown and described.

DESCRIPTION

FIG. 1 is a perspective view of an angled riser for product display, showing my new design;
FIG. 2 is a frontal view thereof;
FIG. 3 is a top view thereof;
FIG. 4 is a side view thereof, looking at the right-hand side of my design;
FIG. 5 is a side view thereof, looking at the left-hand side of my design; and,
FIG. 6 is a perspective view thereof, showing the bottom view of my new design.

1 Claim, 3 Drawing Sheets



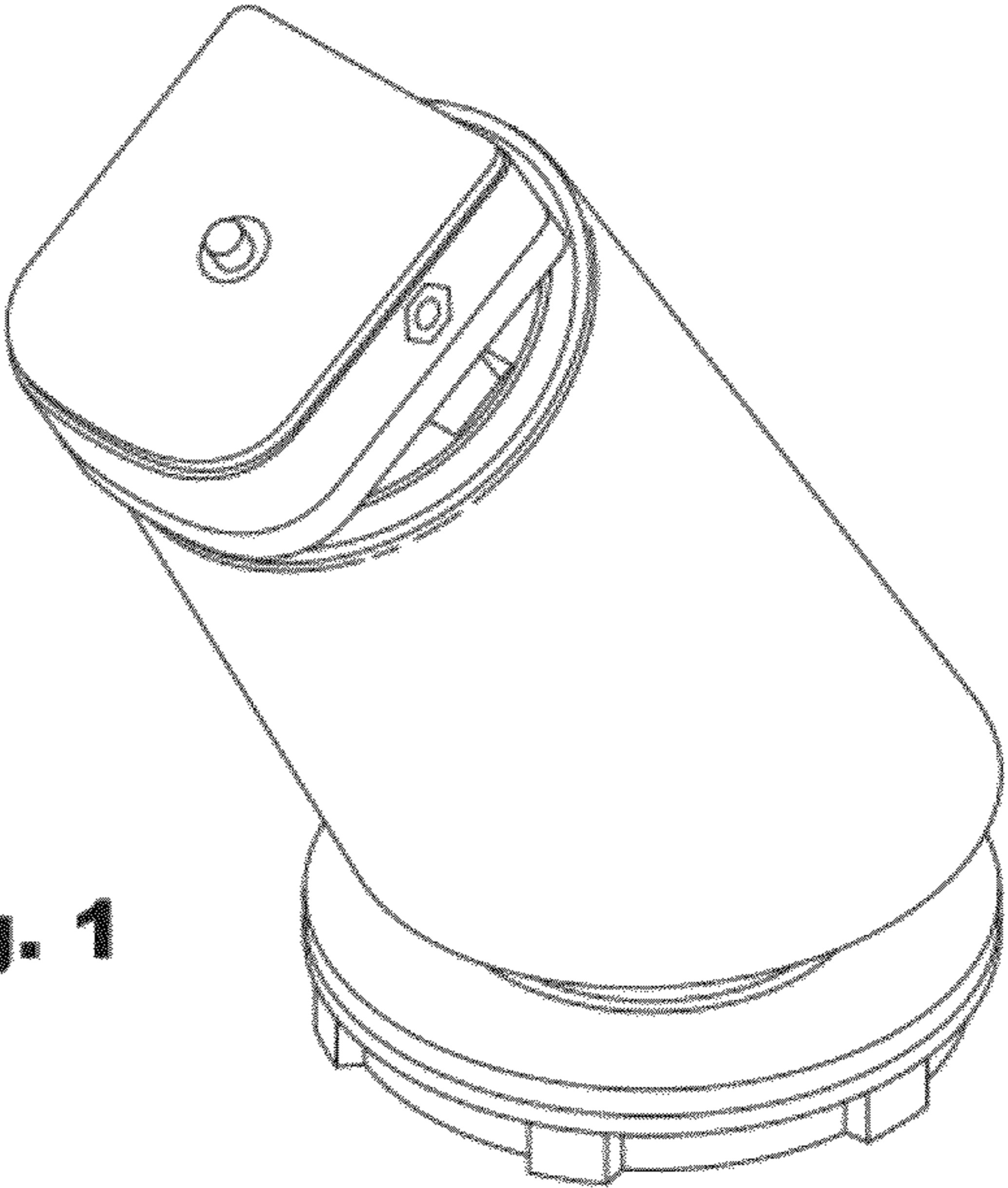


Fig. 1

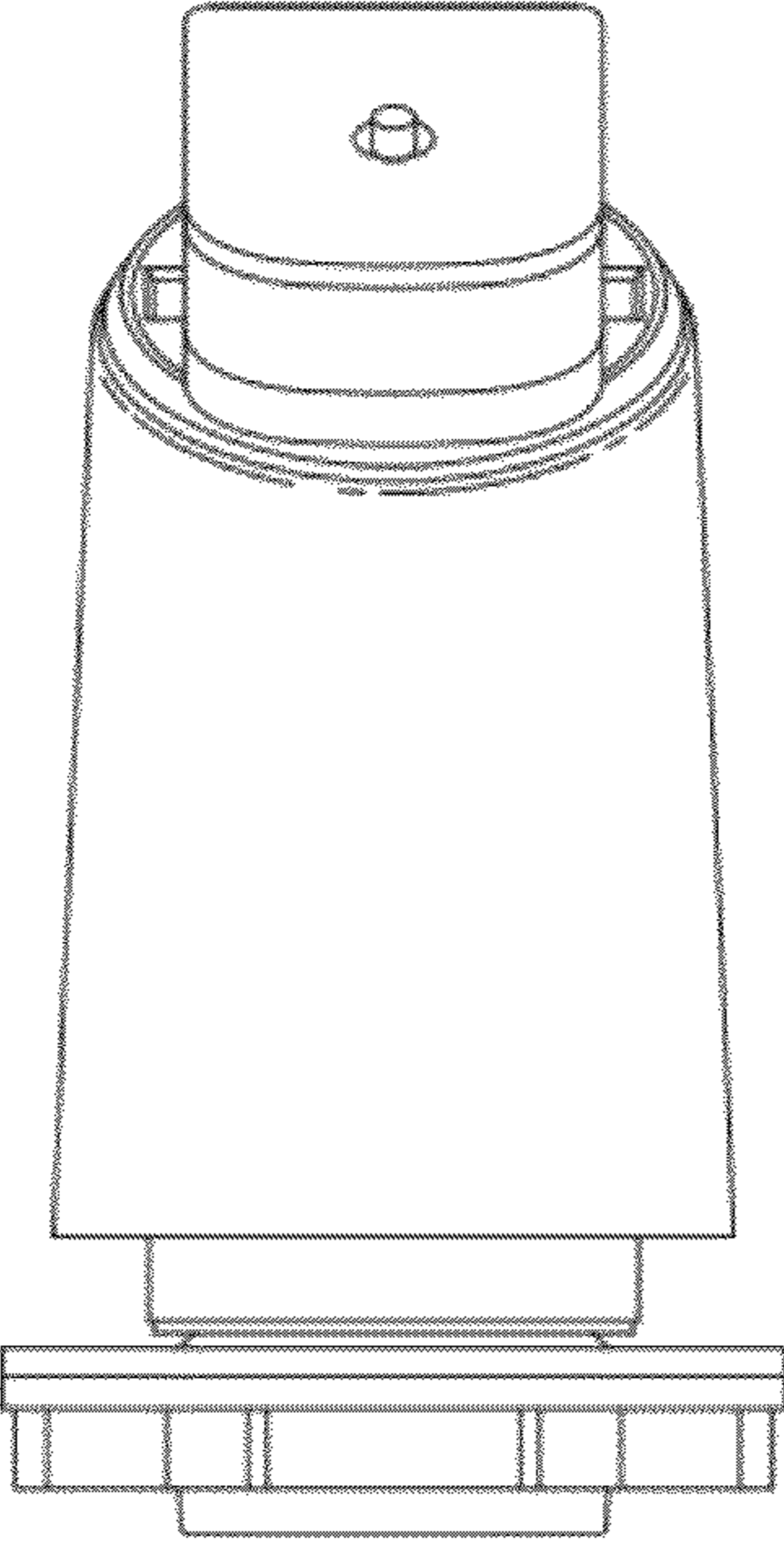


Fig. 2

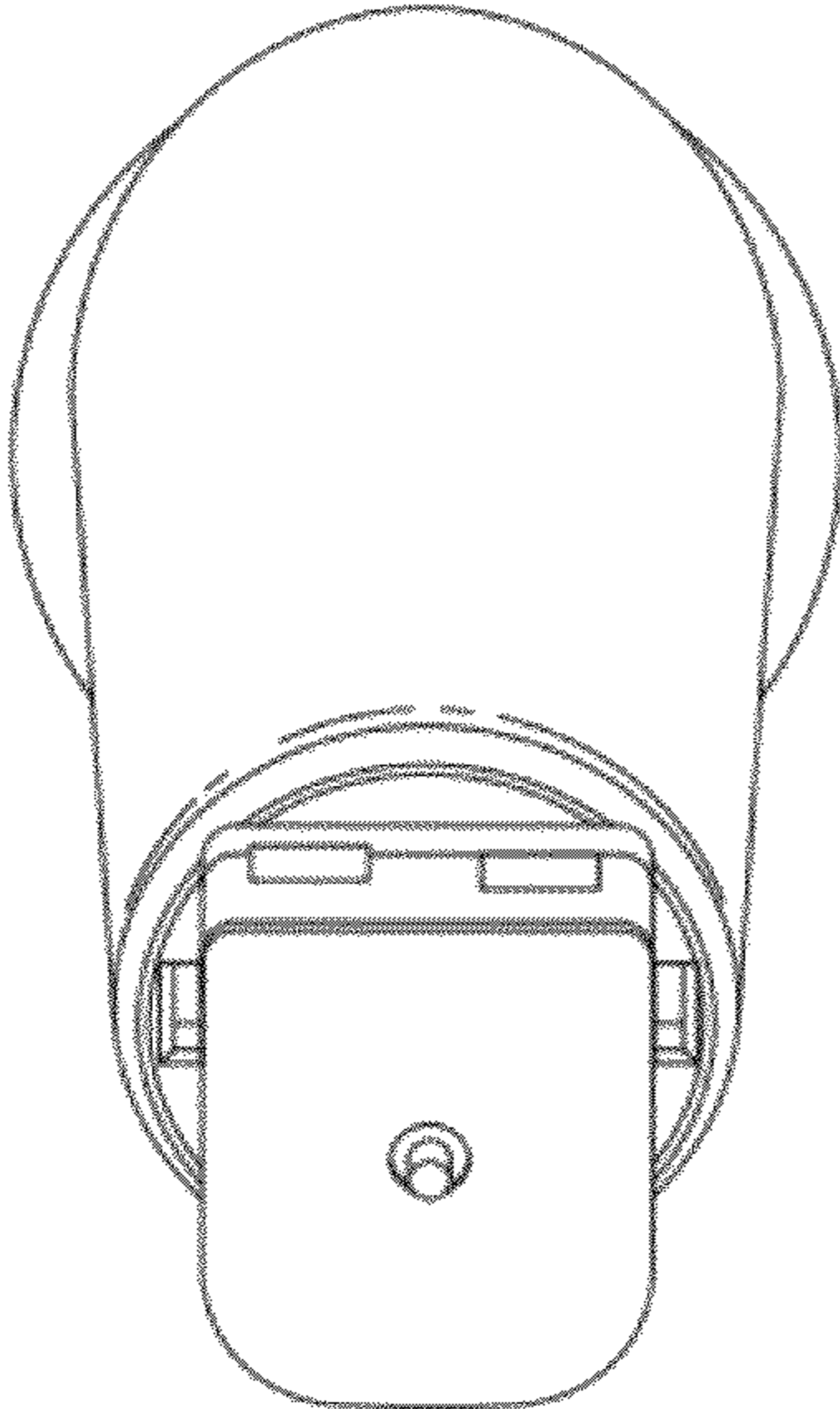


Fig. 3

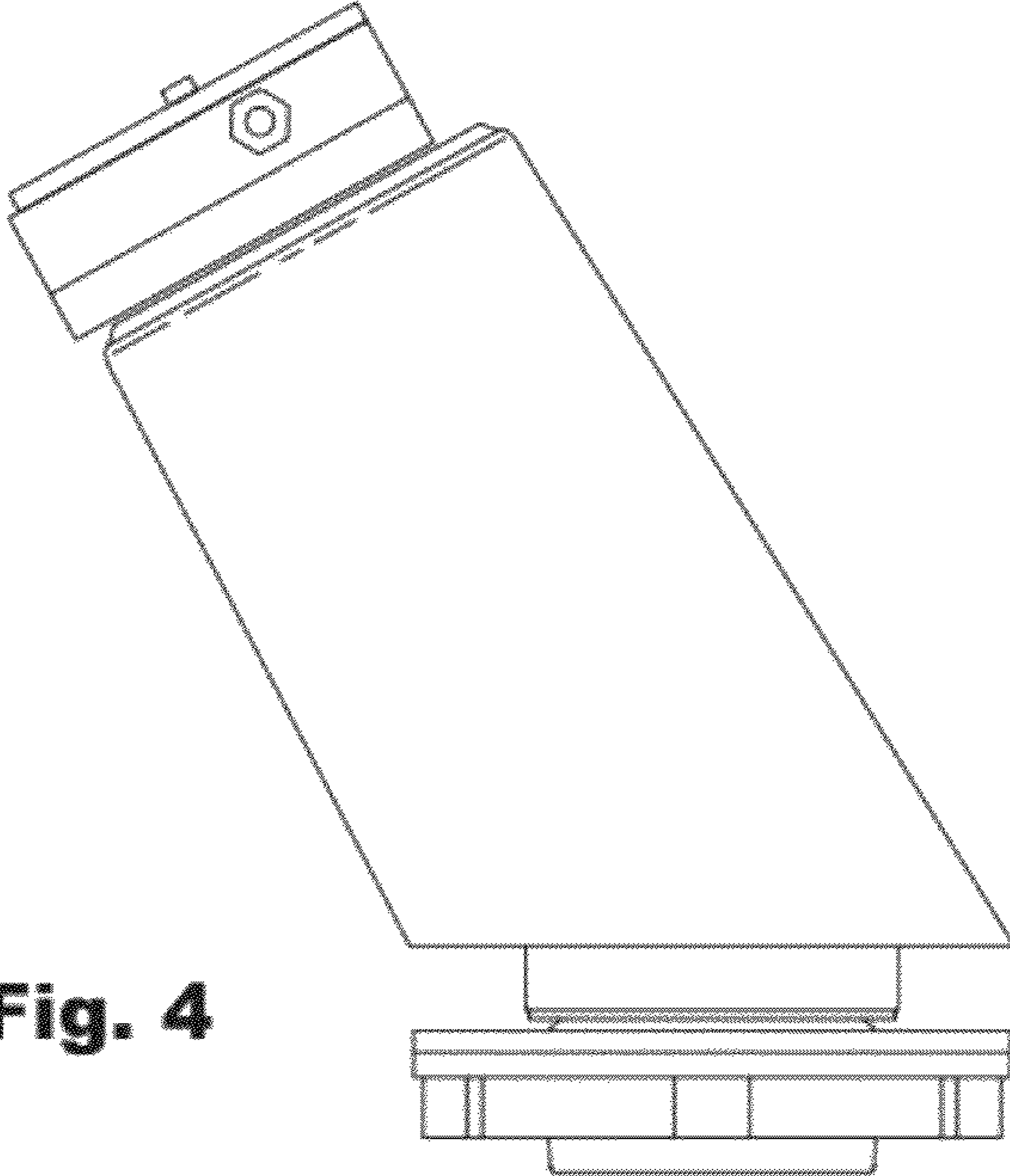


Fig. 4

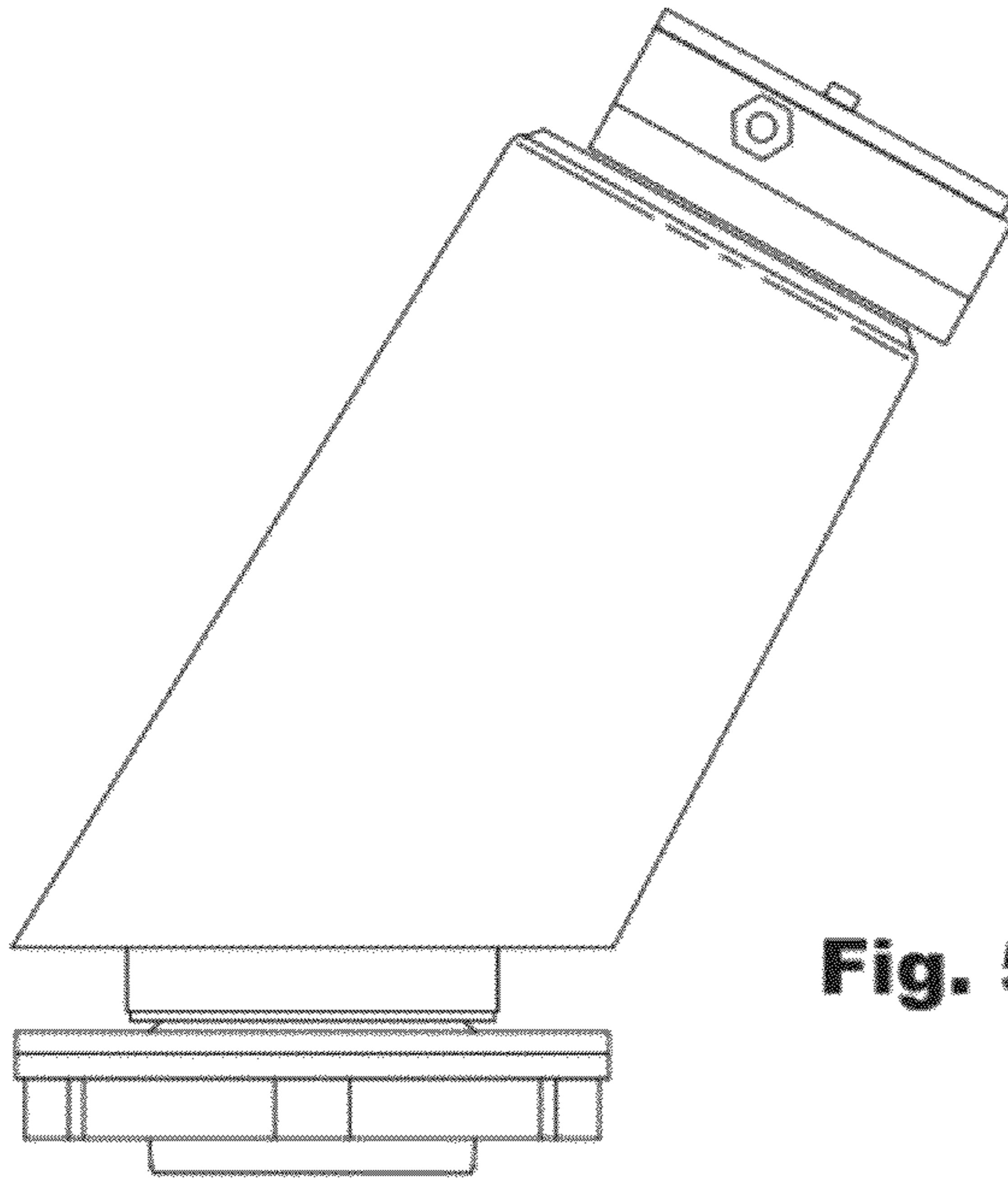


Fig. 5

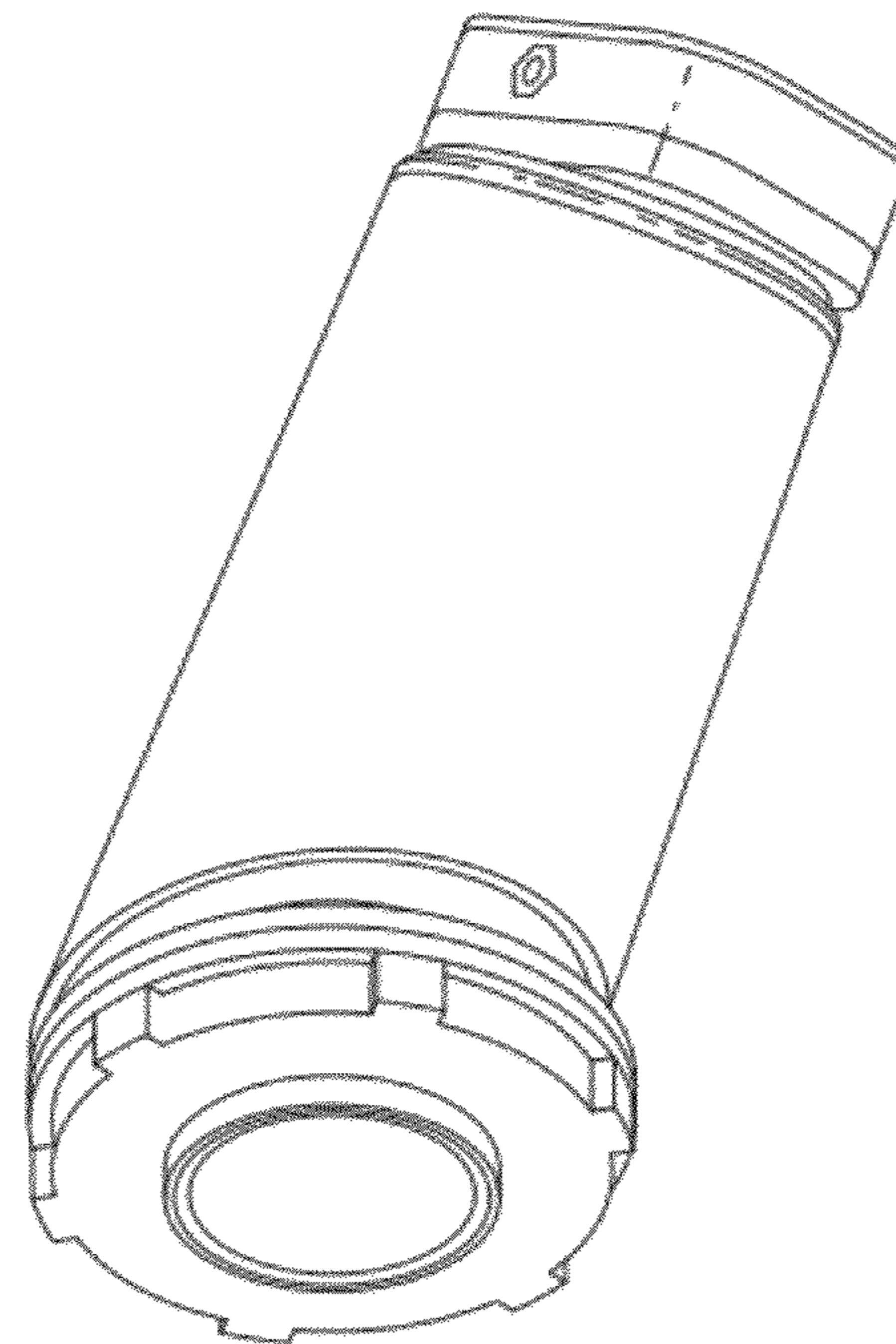


Fig. 6