

US00D663971S

(12) **United States Design Patent**
Raile

(10) **Patent No.:** **US D663,971 S**

(45) **Date of Patent:** **** *Jul. 24, 2012**

(54) **EYEGLASS DISPLAY**

(75) Inventor: **Bruce Raile**, Park City, UT (US)

(73) Assignee: **Sun Optics, Inc.**, Salt Lake City, UT (US)

1,598,235 A 8/1926 Cesare
D76,634 S 10/1928 Riegel
1,758,585 A 5/1930 Riegel
2,111,884 A 3/1938 Cahaney
2,209,657 A 7/1940 Martin

(Continued)

(*) Notice: This patent is subject to a terminal disclaimer.

(**) Term: **14 Years**

(21) Appl. No.: **29/283,411**

(22) Filed: **Aug. 13, 2007**

FOREIGN PATENT DOCUMENTS

DE 3815889 11/1989

OTHER PUBLICATIONS

U.S. Appl. No. 29/234,978, filed Jul. 26, 2005, Raile.

(Continued)

Related U.S. Application Data

(63) Continuation of application No. 29/246,909, filed on May 19, 2006, now Pat. No. Des. 554,903, which is a continuation of application No. 29/227,263, filed on Apr. 8, 2005, now Pat. No. Des. 534,016.

(51) **LOC (9) Cl.** **06-04**

(52) **U.S. Cl.** **D6/457**

(58) **Field of Classification Search** D6/469,
D6/467, 534, 528; 211/85.1, 85.13, 85.4,
211/60.1, 62, 69.1, 70.3, 70.4, 70.6, 70.7,
211/70.8, 107, 49.1, 63, 75, 87.01, 90.04,
211/70.1, 89.01; D19/60; D24/234, 227,
D24/224

See application file for complete search history.

(56) **References Cited**

U.S. PATENT DOCUMENTS

246,460 A 8/1881 Chase et al.
356,858 A 2/1887 Towson
658,042 A 9/1900 Mendel
1,092,156 A 4/1914 Mathis
1,457,770 A 6/1923 Dodge

Primary Examiner — Philip S Hyder

Assistant Examiner — Sydney Buffalow

(74) *Attorney, Agent, or Firm* — Workman Nydegger

(57) **CLAIM**

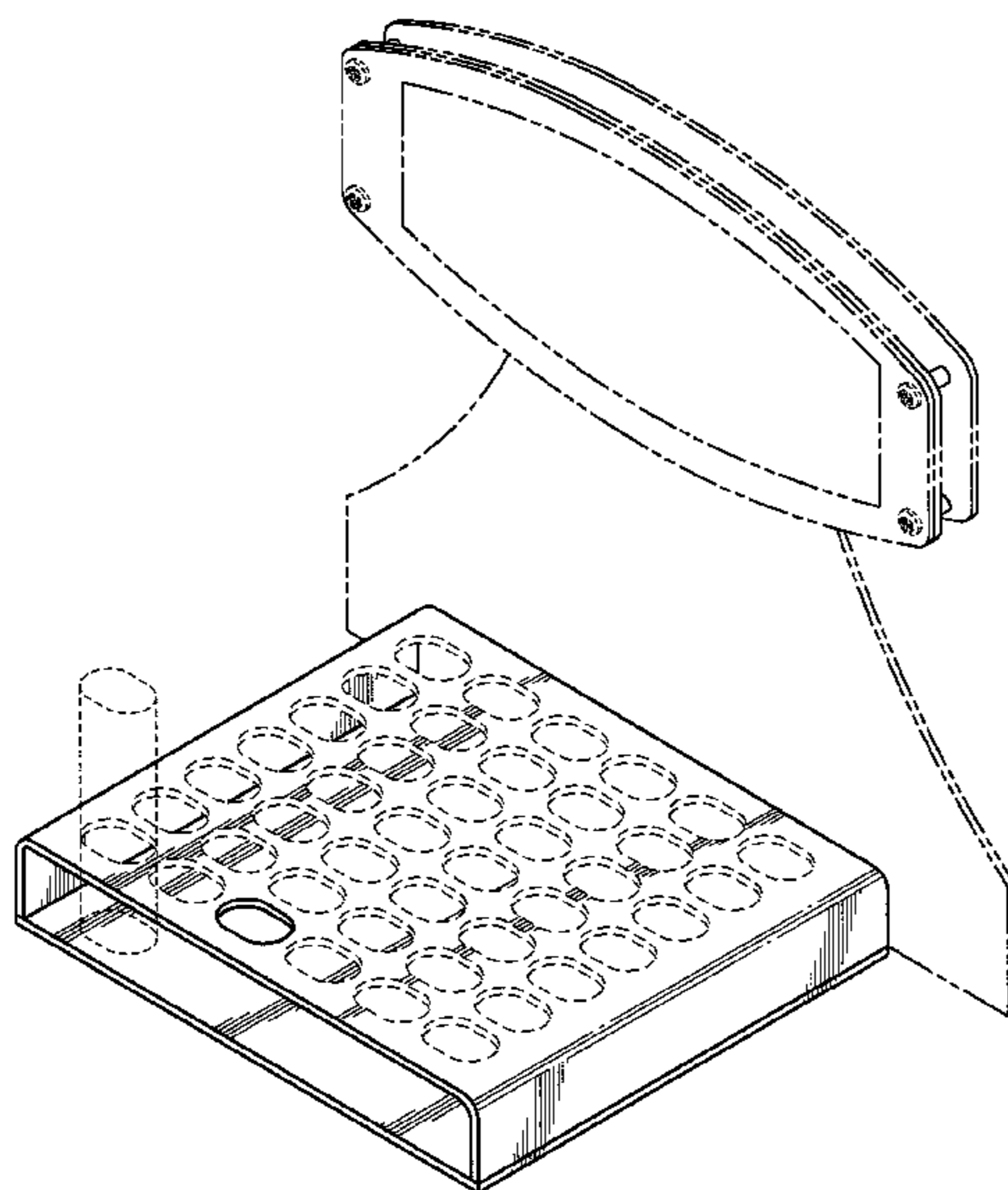
The ornamental design for an eyeglass display, as shown and described.

DESCRIPTION

FIG. 1 is a perspective view of an eyeglass display;
FIG. 2 is a top plan view of the eyeglass display as shown in FIG. 1;
FIG. 3 is a front elevational view of the eyeglass display shown in FIG. 1;
FIG. 4 is a bottom plan view of the eyeglass display as shown in FIG. 1;
FIG. 5 is a back elevational view of the eyeglass display as shown in FIG. 1; and,
FIG. 6 is a left side elevational view of the eyeglass display as shown in FIG. 1, with the right side being a mirror image thereof.

The broken lines are for illustrative purposes only and form no part of the claimed design.

1 Claim, 4 Drawing Sheets



US D663,971 S

U.S. PATENT DOCUMENTS					
D154,674 S	8/1949	Gochenour, Jr.	5,425,499 A	6/1995	Pfieffer
2,606,708 A	8/1952	Irvan	D360,321 S	7/1995	Wang
2,713,947 A	7/1955	Foster	D361,262 S	8/1995	Lusker
D176,466 S	12/1955	La Barre	D361,638 S	8/1995	Desgrippes
2,728,485 A	12/1955	Howard	5,451,113 A	9/1995	Lund
2,735,597 A	2/1956	Treleven	D364,762 S	12/1995	Compton et al.
2,747,760 A	5/1956	Jacobson	5,501,321 A	3/1996	Liu
2,809,766 A	10/1957	Anderson	D369,035 S	4/1996	Potter
2,809,786 A	10/1957	Anderson	D369,037 S	4/1996	Wyatt
2,816,666 A	12/1957	Nadel	D369,415 S	* 4/1996	Boulton et al. D24/224
RE24,571 E	11/1958	Nadel	D369,466 S	5/1996	Jannard
2,936,897 A	5/1960	Bloch	5,514,343 A	* 5/1996	Verwohlt et al. 422/104
2,966,271 A	12/1960	Nadel	5,568,872 A	10/1996	Hinnant
3,144,343 A	8/1964	Fritsche	5,571,481 A	11/1996	Powell et al.
D201,017 S	5/1965	Pohmann	D376,477 S	12/1996	Patterson et al.
3,184,319 A	5/1965	Fritsche	5,579,929 A	12/1996	Schwartz
D201,420 S	6/1965	Bernad et al.	D379,714 S	6/1997	Cerny
3,199,765 A	8/1965	Locke	D381,515 S	7/1997	Haynes
3,288,280 A	11/1966	Bostrom	D382,140 S	8/1997	Loflin
3,333,709 A	8/1967	Leblanc	D387,874 S	12/1997	Vila
D208,469 S	9/1967	Parker	D392,144 S	3/1998	Vogler
3,357,568 A	12/1967	Leblanc	5,725,109 A	3/1998	Moulton et al.
3,486,679 A	12/1969	Pfahler	D393,543 S	* 4/1998	Wilkening et al. D3/313
3,593,856 A	7/1971	Zander	D393,554 S	4/1998	Baluk
3,648,920 A	3/1972	Stump	5,752,341 A	5/1998	Goldfarb
3,676,159 A	7/1972	Fallowfield	D395,769 S	7/1998	Reeves
3,817,392 A	6/1974	Bloch	D398,429 S	9/1998	LeBlanc
3,857,482 A	12/1974	Shelton	D400,009 S	10/1998	Conway
3,866,800 A	2/1975	Schmitt	D400,030 S	10/1998	Wetzel
D237,779 S	11/1975	Lucas	D400,373 S	11/1998	Thoesen
3,921,804 A	11/1975	Tester	D402,140 S	12/1998	Bustos
3,987,892 A	10/1976	Killy	D402,829 S	12/1998	Jay
3,994,364 A	11/1976	Nicoll	5,860,358 A	1/1999	Shriver
4,000,810 A	1/1977	Leblanc	5,873,514 A	2/1999	Brooks
D244,117 S	4/1977	Naylor	5,878,873 A	3/1999	Clark
D245,118 S	7/1977	Heaton	5,899,371 A	5/1999	Weliver
D249,433 S	9/1978	Carlsen	5,906,434 A	5/1999	Berrios
4,115,909 A	9/1978	Corella	5,929,967 A	7/1999	Conner
D253,384 S	11/1979	Glassenberg	5,947,786 A	9/1999	Glick
4,204,602 A	5/1980	Dunchock	5,949,515 A	9/1999	Hoshino
4,228,743 A	10/1980	Crook	D416,357 S	11/1999	Gobe
4,240,557 A	12/1980	Dickens	996,818 A	12/1999	Boje et al.
4,258,847 A	3/1981	Nierman	5,996,818 A	* 12/1999	Boje et al. 211/74
4,331,245 A	5/1982	Schell	6,003,694 A	12/1999	Sharp
D267,992 S	2/1983	Shelton	420,533 A	2/2000	Pugatch
D271,000 S	10/1983	Rimer	6,041,948 A	3/2000	Filipak et al.
D275,160 S	8/1984	Shelton	D422,139 S	4/2000	Meikle
D275,161 S	8/1984	Shelton	D423,555 S	4/2000	Conner
4,572,366 A	2/1986	Carson	D425,299 S	5/2000	Charbonneau
4,614,272 A	9/1986	Shelton	6,102,541 A	8/2000	Kuo
D286,462 S	11/1986	Sender	D430,758 S	9/2000	Skrzelowksi
D294,548 S	3/1988	Wallace	D432,784 S	10/2000	Conway
4,733,775 A	3/1988	Fireman	D432,786 S	10/2000	Rogers
4,744,461 A	5/1988	Lapham	D432,909 S	10/2000	Pirro et al.
D301,575 S	6/1989	Crawford	D433,936 S	11/2000	Pirro et al.
4,907,705 A	3/1990	Waldeck	D434,221 S	11/2000	Chao
4,925,038 A	5/1990	Gajewski	D434,560 S	12/2000	Chao
D317,261 S	6/1991	Brown	D436,266 S	1/2001	Buchanan et al.
D319,156 S	8/1991	Cugley	D436,434 S	1/2001	Conway
5,042,657 A	8/1991	Dunn	D436,725 S	1/2001	Rogers
5,057,282 A	10/1991	Linder	6,170,651 B1	1/2001	Taormina
D323,400 S	1/1992	Frenkel et al.	D437,112 S	2/2001	Toffoli
D323,441 S	1/1992	Waldeck	D437,221 S	2/2001	Sagel
5,113,765 A	5/1992	Carey	D438,632 S	3/2001	Miller
5,141,117 A	8/1992	Olsen	6,199,981 B1	3/2001	Chao
D332,442 S	* 1/1993	Simpson, Sr. D13/119	6,206,217 B1	3/2001	Chiang
D332,664 S	1/1993	Sincock	D439,738 S	4/2001	McCormack
D336,181 S	6/1993	Muniz	D439,838 S	4/2001	Sagel
D337,016 S	7/1993	Fortescue	D440,256 S	4/2001	Wang
D338,965 S	8/1993	Glanz	D440,432 S	4/2001	Topper et al.
D339,017 S	9/1993	Goodman et al.	D440,796 S	4/2001	Riga
D339,913 S	10/1993	Reed	D441,145 S	4/2001	Chang
D342,400 S	12/1993	Bustos	D441,953 S	5/2001	Ben Moshe
D344,419 S	2/1994	Stoddard	D444,805 S	7/2001	Tiberghien
5,358,128 A	10/1994	Belokin et al.	D446,389 S	8/2001	Zhou
D352,454 S	11/1994	Krupa	6,272,792 B1	8/2001	Van den Kieboom
D359,126 S	6/1995	Hovatter	6,273,246 B1	8/2001	Marciano
5,423,419 A	6/1995	Wentz et al.	D448,854 S	10/2001	Kuiper
			D449,779 S	10/2001	Otto

US D663,971 S

D450,239 S 11/2001 Otto
 D450,591 S 11/2001 Escola Gallart
 D451,015 S 11/2001 Otto
 D451,382 S 12/2001 Adkins
 D454,686 S 3/2002 McCormack
 D455,261 S 4/2002 Browne
 6,382,407 B1 5/2002 Chao
 D458,092 S 6/2002 Rumpf
 6,415,915 B1 7/2002 Grossman
 D461,554 S * 8/2002 Lafond et al. D24/230
 6,427,371 B2 8/2002 Olson
 D463,278 S 9/2002 Weinstein
 D464,982 S 10/2002 Thixton et al.
 D465,155 S 11/2002 Weinstein
 D467,421 S 12/2002 Chao
 6,491,158 B2 12/2002 Chen
 6,491,458 B2 12/2002 Chen
 D471,991 S 3/2003 Maylon et al.
 6,533,133 B2 3/2003 Liu
 D474,274 S 5/2003 Walters
 D475,732 S 6/2003 Conner
 6,592,023 B2 7/2003 Li Vigni
 D479,126 S 9/2003 Kumakura et al.
 D479,552 S 9/2003 Emanuele
 6,626,287 B1 9/2003 Watson
 D481,060 S 10/2003 Egbert et al.
 D483,944 S 12/2003 Conner
 D484,011 S 12/2003 Strobel et al.
 6,655,800 B2 12/2003 Takeda et al.
 6,705,723 B1 3/2004 Lavie
 D489,960 S 5/2004 Grendahl
 D494,228 S 8/2004 Lane
 6,779,658 B2 8/2004 Polloni
 D496,191 S 9/2004 Johnson
 D496,193 S 9/2004 Mason
 D496,194 S 9/2004 Mason
 D496,541 S 9/2004 Wang
 6,789,664 B1 9/2004 Chao
 D500,419 S 1/2005 Sparkowski
 6,851,552 B1 2/2005 Chao
 6,857,518 B2 2/2005 Chao
 D503,645 S 4/2005 Wirth
 D504,550 S * 4/2005 Setcer, Jr. D99/34
 D505,866 S 6/2005 Raile
 D506,396 S 6/2005 Raile
 D506,681 S 6/2005 Raile
 D506,682 S 6/2005 Raile
 D506,833 S 6/2005 Wescott, III
 D507,658 S 7/2005 Wescott, III
 6,929,116 B2 8/2005 Chao
 D509,382 S 9/2005 Raile
 D510,530 S 10/2005 Raile
 D525,426 S 7/2006 Raile
 D525,427 S 7/2006 Raile
 D525,721 S 7/2006 Landes
 D525,787 S 8/2006 Raile
 D525,788 S 8/2006 Raile
 D527,179 S 8/2006 Raile
 D527,180 S 8/2006 Raile
 7,100,777 B1 9/2006 Kao
 D530,541 S 10/2006 Raile
 D530,940 S 10/2006 Raile
 D533,579 S 12/2006 Raile
 D533,736 S 12/2006 Raile
 D534,016 S 12/2006 Raile
 D536,261 S 2/2007 Raile
 D536,905 S 2/2007 Raile
 D537,655 S 3/2007 Hessell
 D538,067 S 3/2007 Raile
 D538,555 S 3/2007 Raile
 7,188,739 B1 3/2007 Raile
 7,219,830 B2 5/2007 West
 D547,569 S 7/2007 Yan
 D559,589 S 1/2008 Stellan
 7,338,158 B2 3/2008 Glinert
 7,347,326 B2 3/2008 Baechle
 D566,989 S 4/2008 Mason
 D577,911 S 10/2008 Liebers
 D591,531 S 5/2009 Sparkowski

D603,189 S 11/2009 Raile
 D615,774 S 5/2010 Raile
 D617,097 S 6/2010 Raile
 D617,554 S 6/2010 Raile
 D623,407 S 9/2010 Raile
 2001/0054595 A1 12/2001 Cabrera
 2002/0080325 A1 6/2002 Xiang
 2002/0157968 A1 10/2002 Chen
 2003/0025871 A1 2/2003 Masunaga
 2003/0071962 A1 4/2003 Nishihara
 2003/0111361 A1 6/2003 Fischer et al.
 2003/0133071 A1 7/2003 Ahn
 2004/0045840 A1 3/2004 Gagnon
 2004/0144739 A1 7/2004 Marek
 2004/0211681 A1 10/2004 Chao et al.
 2004/0223114 A1 11/2004 Park
 2005/0155872 A1 7/2005 Cheng
 2005/0279648 A1 12/2005 Liebers
 2006/0102569 A1 5/2006 Laga
 2006/0169754 A1 8/2006 Tseng

OTHER PUBLICATIONS

U.S. Appl. No. 29/234,977, filed Jul. 26, 2005, Raile.
 U.S. Appl. No. 29/246,911, filed May 19, 2006, Raile.
 U.S. Appl. No. 29/246,908, filed May 19, 2006, Raile.
 U.S. Appl. No. 29/246,909, filed May 19, 2006, Raile.
 U.S. Appl. No. 29/248,658, filed Aug. 25, 2006, Raile.
 U.S. Appl. No. 29/248,659, filed Aug. 25, 2006, Raile.
 U.S. Appl. No. 29/249,568, filed Oct. 12, 2006, Raile.
 U.S. Appl. No. 29/250,249, filed Nov. 7, 2006, Raile.
 U.S. Appl. No. 29/275,011, filed Dec. 8, 2006, Raile.
 U.S. Appl. No. 11/627,882, filed Jan. 26, 2007, Raile.
 U.S. Appl. No. 29/279,329, filed Apr. 26, 2007, Raile.
 CI Pocket Clip & Tube Readers, Insight Eyeworks, circa Oct. 2001, 2 pages.
 V. Mueller & Co., Chicago, Illinois, 1956, p. 747, LA-5165, LA-5170, LA-5195.
 America Online Computer Eyewear, circa Apr. 2002, 1 page.
 I. Line Precision Reading Eyewear, circa Apr. 2002, 1 page.
 Insight Pocket Size Readers, circa Aug. 2002, 1 page.
 Transparent Eyeglass Case, Insight Eyeworks, circa 2002, 1 page.
 U.S. Appl. No. 11/838,174, filed Aug. 13, 2007, Raile.
 U.S. Appl. No. 29/206,908, filed May 19, 2006, Raile.
 U.S. Appl. No. 29/303,907, filed Feb. 20, 2008, Raile.
 U.S. Appl. No. 10/360,264, filed Apr. 9, 2004, Office Action.
 U.S. Appl. No. 10/360,264, filed Mar. 24, 2005, Office Action.
 U.S. Appl. No. 10/360,264, filed Sep. 29, 2005, Office Action.
 U.S. Appl. No. 10/360,264, filed May 22, 2006, Office Action.
 U.S. Appl. No. 10/360,264, filed Dec. 27, 2006, Notice of Allowance.
 U.S. Appl. No. 11/627,882, filed Dec. 22, 2008, Office Action.
 U.S. Appl. No. 11/627,882, filed Nov. 3, 2009, Office Action.
 U.S. Appl. No. 29/199,080, filed Jan. 12, 2005, Notice of Allowance.
 U.S. Appl. No. 29/199,046, filed Jan. 12, 2005, Notice of Allowance.
 U.S. Appl. No. 29/240,194, filed May 22, 2006, Office Action.
 U.S. Appl. No. 29/240,194, filed Sep. 12, 2006, Notice of Allowance.
 U.S. Appl. No. 29/199,047, filed Jan. 12, 2005, Notice of Allowance.
 U.S. Appl. No. 29/199,081, filed Jan. 12, 2005, Notice of Allowance.
 U.S. Appl. No. 29/205,823, filed Nov. 15, 2005, Office Action.
 U.S. Appl. No. 29/205,823, filed Mar. 22, 2006, Notice of Allowance.
 U.S. Appl. No. 29/205,822, filed Nov. 15, 2005, Office Action.
 U.S. Appl. No. 29/205,822, filed Mar. 22, 2006, Notice of Allowance.
 U.S. Appl. No. 29/205,824, filed Nov. 18, 2005, Office Action.
 U.S. Appl. No. 29/205,824, filed Mar. 22, 2006, Notice of Allowance.
 U.S. Appl. No. 29/207,392, filed Jul. 27, 2006, Notice of Allowance.
 U.S. Appl. No. 29/206,908, filed May 17, 2005, Notice of Allowance.
 U.S. Appl. No. 29/275,011, filed Oct. 10, 2007, Notice of Allowance.
 U.S. Appl. No. 29/207,476, filed Jan. 26, 2005, Notice of Allowance.
 U.S. Appl. No. 29/207,476, filed Jun. 6, 2005, Notice of Allowance.
 U.S. Appl. No. 29/221,503, filed Nov. 18, 2005, Office Action.
 U.S. Appl. No. 29/221,503, filed Mar. 22, 2006, Notice of Allowance.
 U.S. Appl. No. 29/221,501, filed Nov. 21, 2005, Office Action.
 U.S. Appl. No. 29/221,501, filed Mar. 22, 2006, Notice of Allowance.
 U.S. Appl. No. 29/248,658, filed Nov. 15, 2007, Office Action.
 U.S. Appl. No. 29/248,658, filed Mar. 10, 2008, Notice of Allowance.

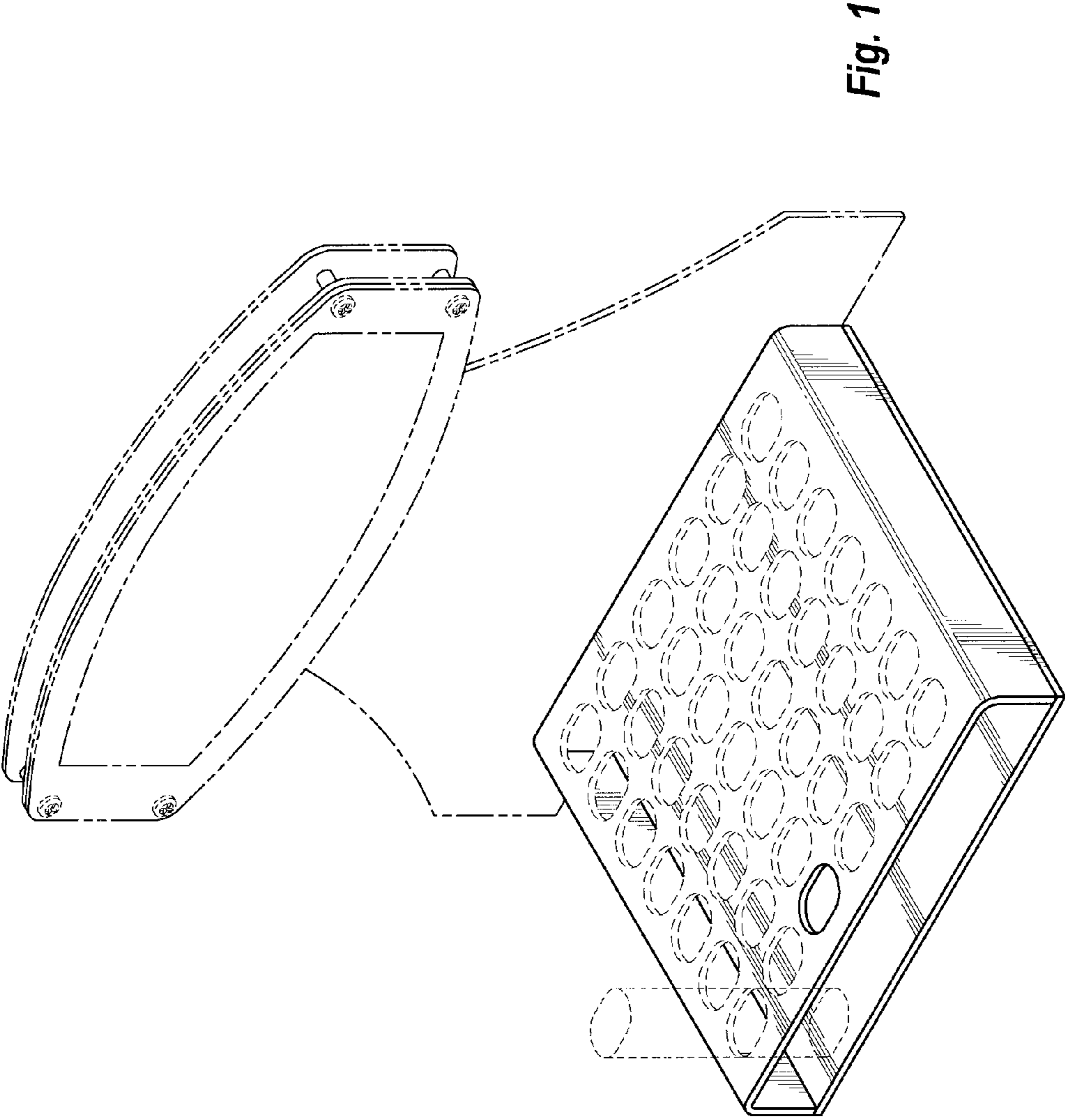
US D663,971 S

Page 4

U.S. Appl. No. 29/248,659, filed Nov. 15, 2007, Notice of Allowance.
U.S. Appl. No. 29/221,502, filed Nov. 18, 2005, Office Action.
U.S. Appl. No. 29/221,502, filed Mar. 22, 2006, Notice of Allowance.
U.S. Appl. No. 29/227,326, filed Oct. 3, 2006, Notice of Allowance.
U.S. Appl. No. 29/227,246, filed Oct. 3, 2006, Notice of Allowance.
U.S. Appl. No. 29/227,263, filed Jul. 27, 2006, Notice of Allowance.
U.S. Appl. No. 29/246,909, filed Oct. 6, 2006, Notice of Allowance.
U.S. Appl. No. 29/297,463, filed Jul. 17, 2008, Office Action.
U.S. Appl. No. 29/297,463, filed Mar. 10, 2009, Notice of Allowance.
U.S. Appl. No. 29/297,463, filed Jul. 1, 2009, Notice of Allowance.
U.S. Appl. No. 29/227,262, filed Oct. 3, 2006, Notice of Allowance.
U.S. Appl. No. 29/250,249, filed Oct. 31, 2007, Notice of Allowance.
U.S. Appl. No. 29/250,249, filed Jan. 24, 2008, Notice of Allowance.

U.S. Appl. No. 29/234,978, filed Jan. 29, 2007, Office Action.
U.S. Appl. No. 29/234,978, filed Aug. 24, 2007, Notice of Allowance.
U.S. Appl. No. 29/234,977, filed Jan. 29, 2007, Office Action.
U.S. Appl. No. 29/234,977, filed Aug. 28, 2007, Notice of Allowance.
U.S. Appl. No. 29/240,602, filed May 30, 2006, Notice of Allowance.
U.S. Appl. No. 29/241,074, filed May 12, 2006, Notice of Allowance.
U.S. Appl. No. 29/341,222, filed Dec. 28, 2009, Notice of Allowance.
U.S. Appl. No. 29/343,576, filed Feb. 5, 2010, Notice of Allowance.
U.S. Appl. No. 29/343,575, filed Feb. 1, 2010, Office Action.
U.S. Appl. No. 29/343,575, filed May 19, 2010, Notice of Allowance.
U.S. Appl. No. 29/343,572, filed Feb. 16, 2010, Notice of Allowance.

* cited by examiner



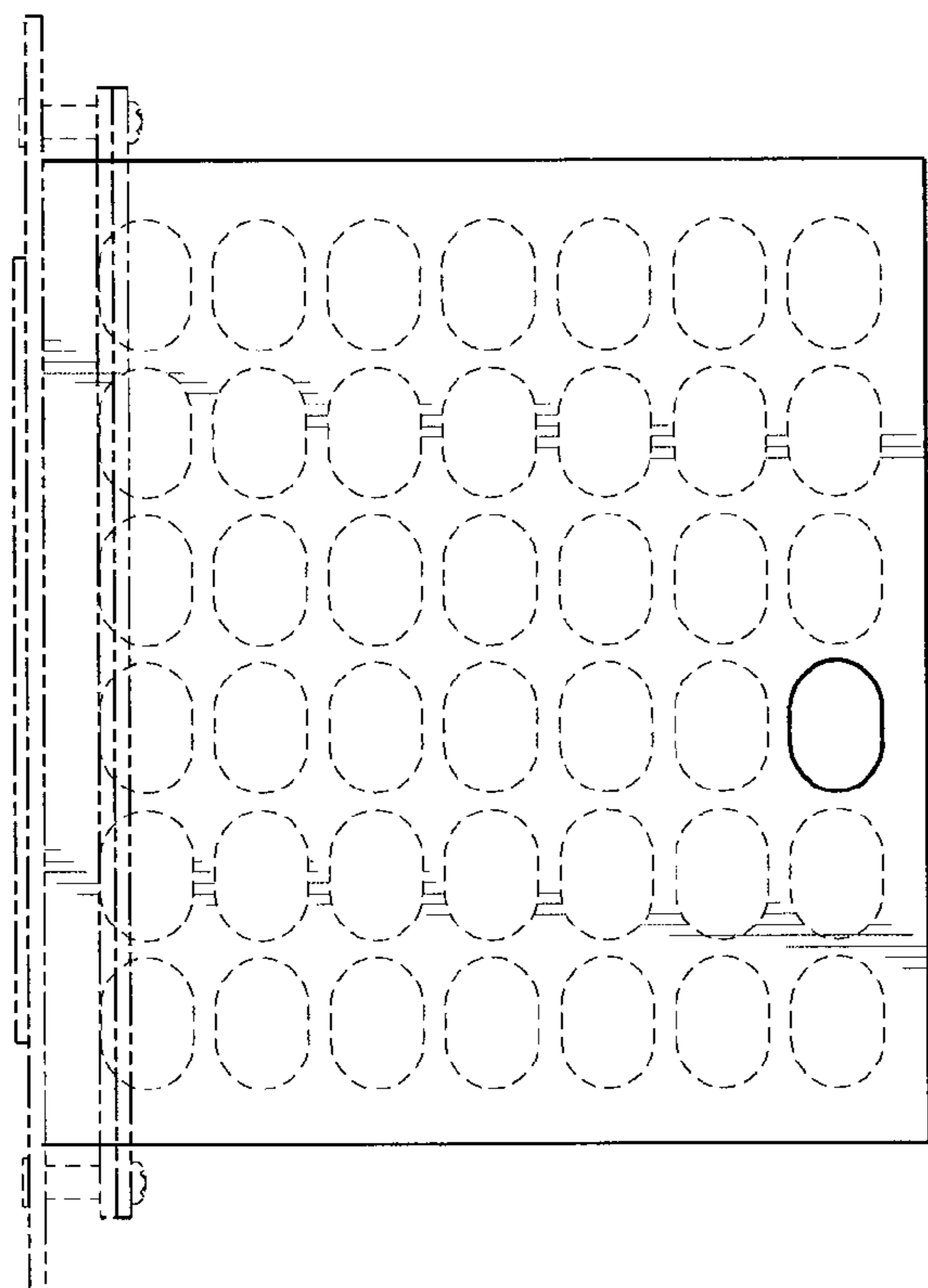


Fig. 2

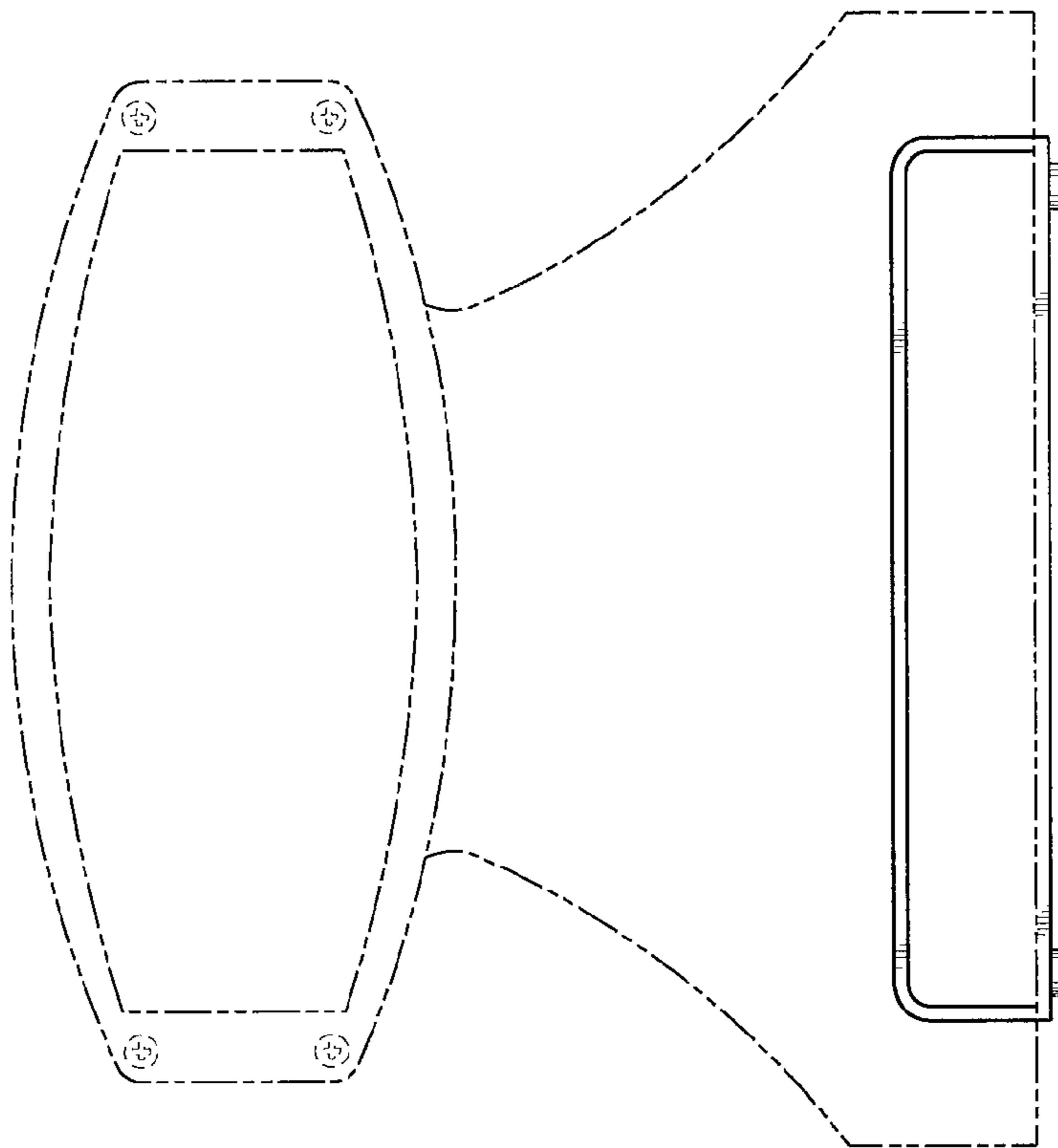


Fig. 3

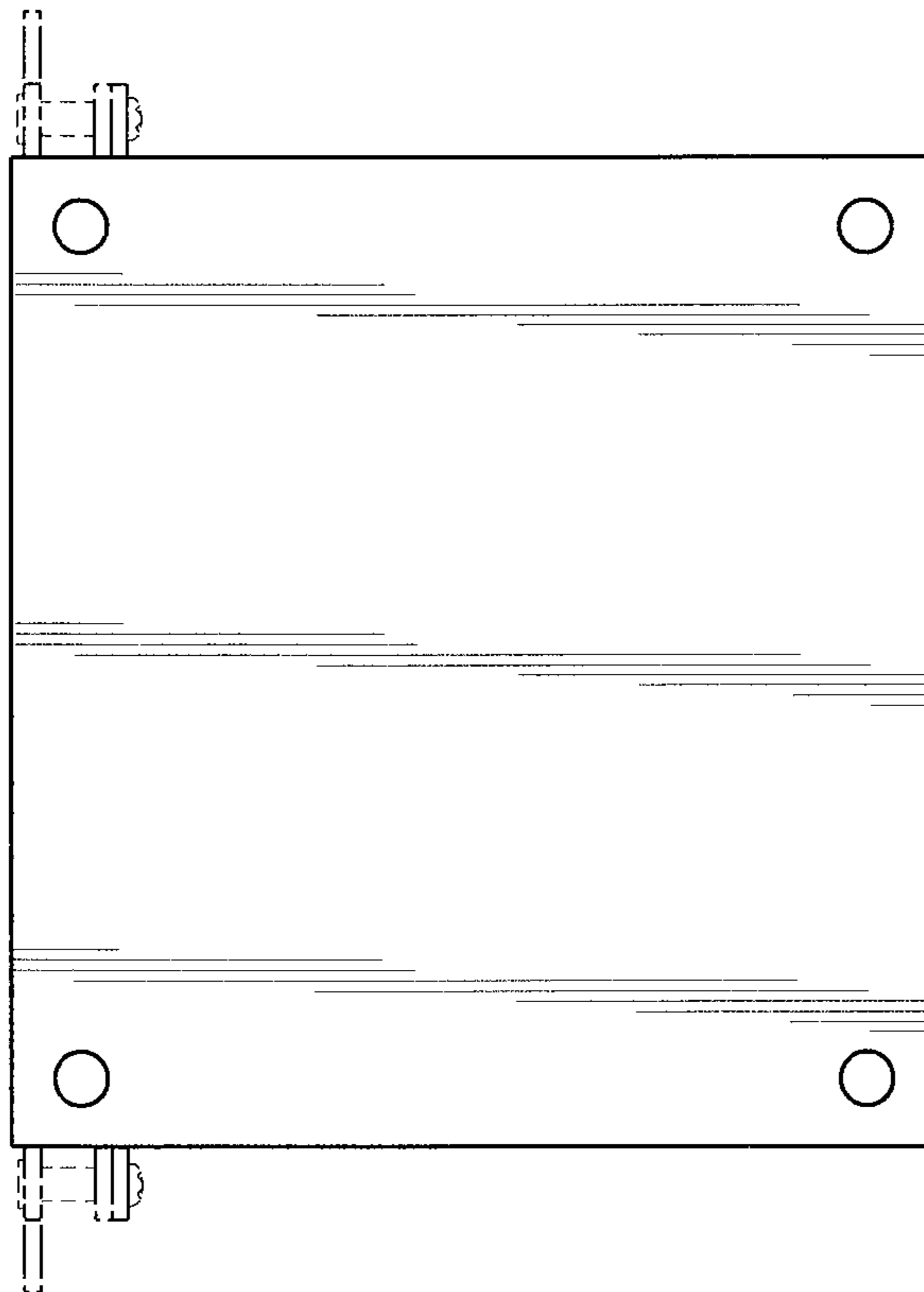


Fig. 4

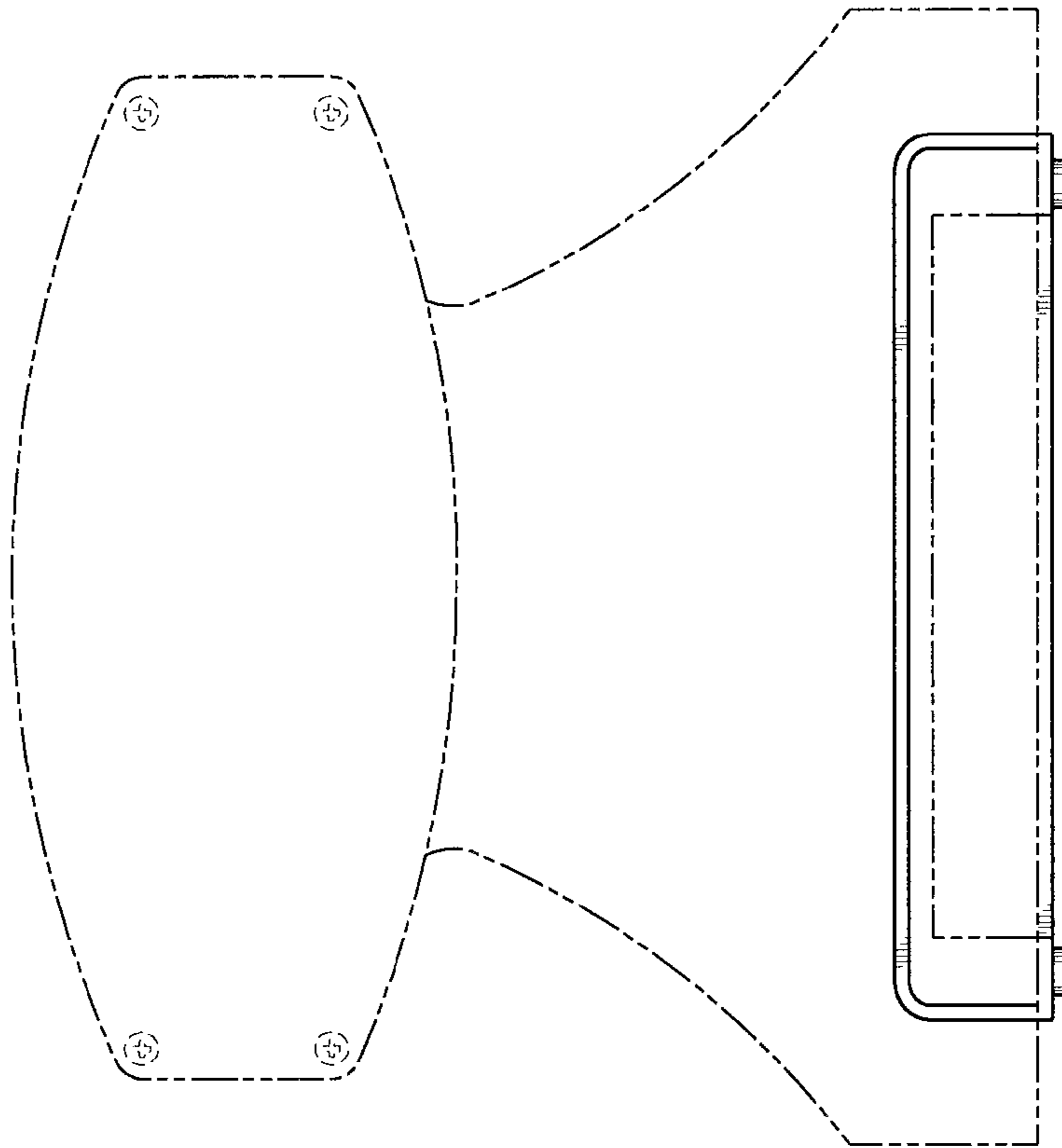


Fig. 5

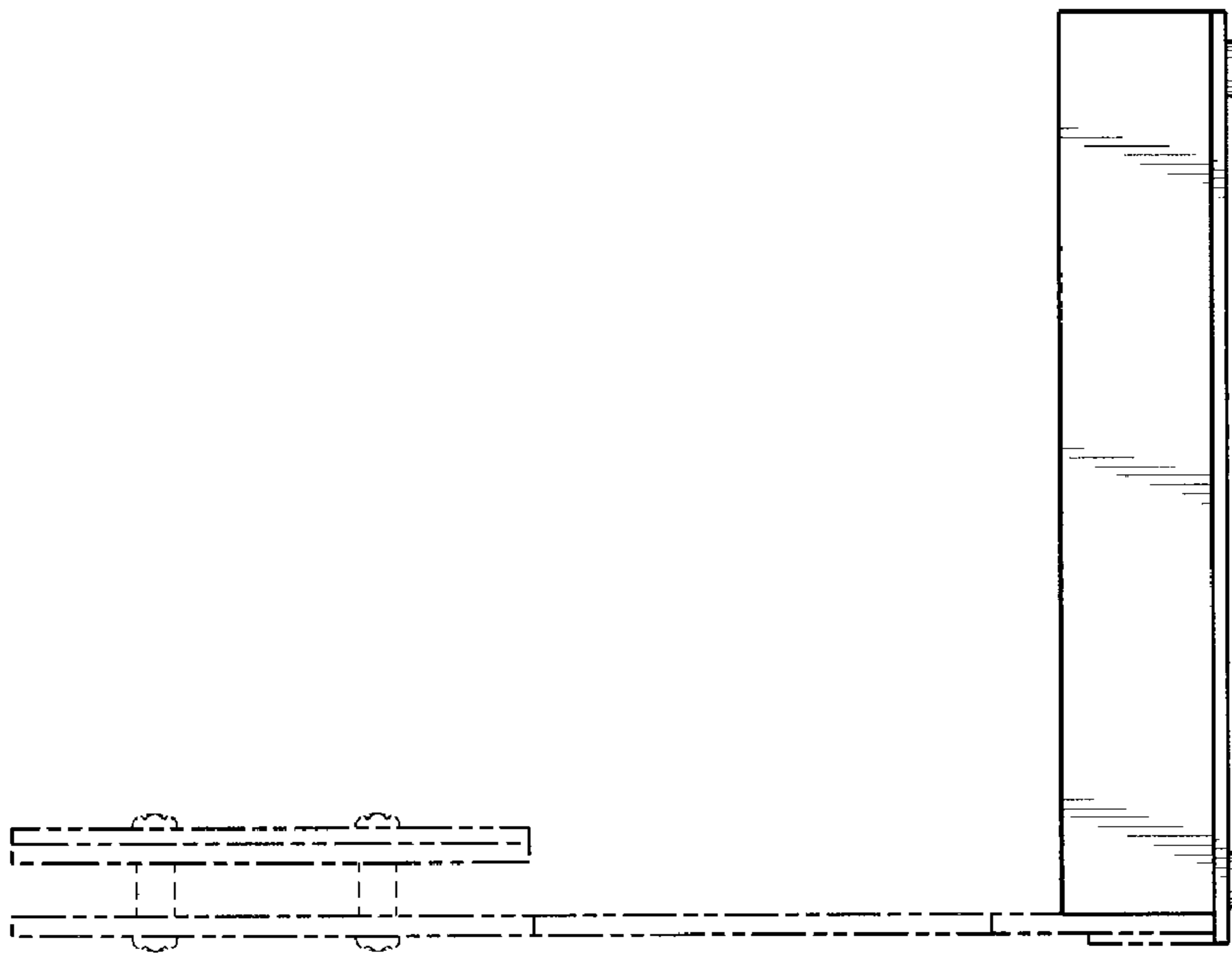


Fig. 6

UNITED STATES PATENT AND TRADEMARK OFFICE
CERTIFICATE OF CORRECTION

PATENT NO. : D663,971 S
APPLICATION NO. : 29/283411
DATED : July 24, 2012
INVENTOR(S) : Raile

Page 1 of 1

It is certified that error appears in the above-identified patent and that said Letters Patent is hereby corrected as shown below:

Title Page 2, Left-hand Column

Line 51 (Patent No. D286,462), change "Sender" to --Sender et al.--

Line 59 (Patent No. D319,156 S), change "8/1991" to --8/1992--

Title Page 2, Right-hand Column

Line 40 (Patent No. 996,818), delete the line beginning with "996,818 A"

Line 43 (Patent No. 420,533), change "420,533" to --D420,533--

Title Page 3, Left-hand Column

Line 17 (Patent No. 6,491,458), change "6,491,458" to --6,492,458--

Line 23 (Patent No. D479,126), change "9/2003" to --12/2002--

Title Page 3, Right-hand Column

Line 35, change "C1 Pocket" to --Pocket--

Under OTHER PUBLICATIONS, insert the following reference,

--Sun Optics, Inc. v. FGX International, Inc. (U.S. District Court Delaware), Answer, Affirmative Defenses, and Counterclaims of Defendant FGX International, Inc. to Plaintiff's Amended Complaint, August 16, 2007, 11 pages.--

Signed and Sealed this
Twenty-fifth Day of June, 2013



Teresa Stanek Rea
Acting Director of the United States Patent and Trademark Office