



US00D663969S

(12) **United States Design Patent**  
**Hundley**

(10) **Patent No.:** **US D663,969 S**  
(45) **Date of Patent:** **\*\* Jul. 24, 2012**

- (54) **RISER**
- (75) Inventor: **Jill E. Hundley**, Sheboygan, WI (US)
- (73) Assignee: **The Vollrath Company, L.L.C.**,  
Sheboygan, WI (US)
- (\*\*) Term: **14 Years**
- (21) Appl. No.: **29/396,159**
- (22) Filed: **Jun. 27, 2011**
- (51) **LOC (9) Cl.** ..... **06-04**
- (52) **U.S. Cl.** ..... **D6/396**
- (58) **Field of Classification Search** ..... D6/449,  
D6/396, 486-489, 429-431, 495-499, 509,  
D6/397, 455, 415, 505; 108/155, 156, 161,  
108/150; D7/558; 248/188, 188.1, 188.7,  
248/188.8; D30/199; D3/203.2  
See application file for complete search history.

- D593,778 S \* 6/2009 Muhich ..... D6/495
- D613,096 S \* 4/2010 Stoepker et al. .... D6/486
- D636,637 S \* 4/2011 Lupkes et al. .... D7/558
- D648,960 S \* 11/2011 Starck et al. .... D6/486

**OTHER PUBLICATIONS**

Vollrath, Buffet and Tabletop Service, *Elegant Reflections Case Stand*, Feb. 1, 2010, p. 9.44.  
Zieher Germany, *Lightening Buffet*; <http://www.zieher.com/en/hauptmenue-oben/products/gallery/galerie/16/46/599.html#bottom>, Printed Jun. 27, 2011, 1 page.

\* cited by examiner

*Primary Examiner* — Philip S Hyder  
*Assistant Examiner* — Sydney Buffalow  
(74) *Attorney, Agent, or Firm* — Foley & Lardner LLP

(57) **CLAIM**

I claim the ornamental design for a riser, as shown and described.

**DESCRIPTION**

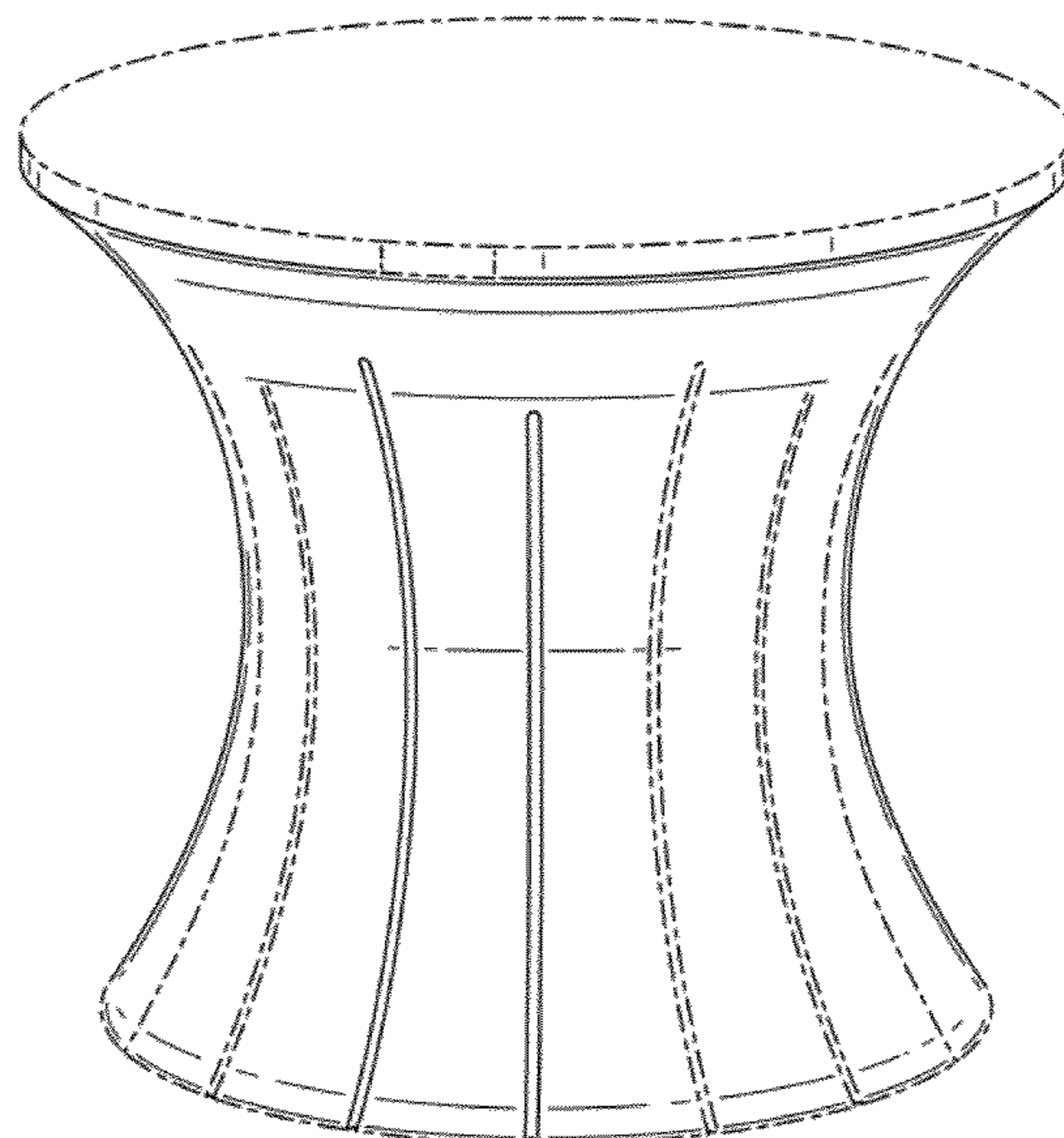
FIG. 1 is a front perspective view from above of the claimed design;  
FIG. 2 is a front view of the claimed design;  
FIG. 3 is a rear view of the claimed design;  
FIG. 4 is a right side view of the claimed design;  
FIG. 5 is a left side view of the claimed design;  
FIG. 6 is a top view of the claimed design; and,  
FIG. 7 is a bottom view of the claimed design.  
The ornamental design that is claimed is shown in solid lines in the drawings. The broken lines in the drawings are for illustrative purposes only and form no part of the claimed design.

**1 Claim, 7 Drawing Sheets**

(56) **References Cited**

**U.S. PATENT DOCUMENTS**

- D187,797 S \* 5/1960 Saarinen ..... D6/495
- 3,230,909 A \* 1/1966 Watson ..... 108/150
- D225,283 S \* 11/1972 Axelrod ..... D6/415
- D243,295 S \* 2/1977 Hartinger ..... D6/495
- D249,300 S \* 9/1978 Szabo et al. .... D6/486
- D272,417 S \* 1/1984 Ziccardi ..... D9/505
- D285,760 S \* 9/1986 Milling ..... D6/486
- D317,405 S \* 6/1991 Yasika ..... D3/203.2
- D329,768 S \* 9/1992 Intardonato ..... D6/495
- D342,843 S \* 1/1994 Kuntz ..... D6/455
- D460,641 S \* 7/2002 O'Hare et al. .... D6/495
- D553,308 S \* 10/2007 Klein ..... D30/199
- D579,675 S \* 11/2008 Paterson ..... D6/349
- D581,705 S \* 12/2008 Li ..... D6/486



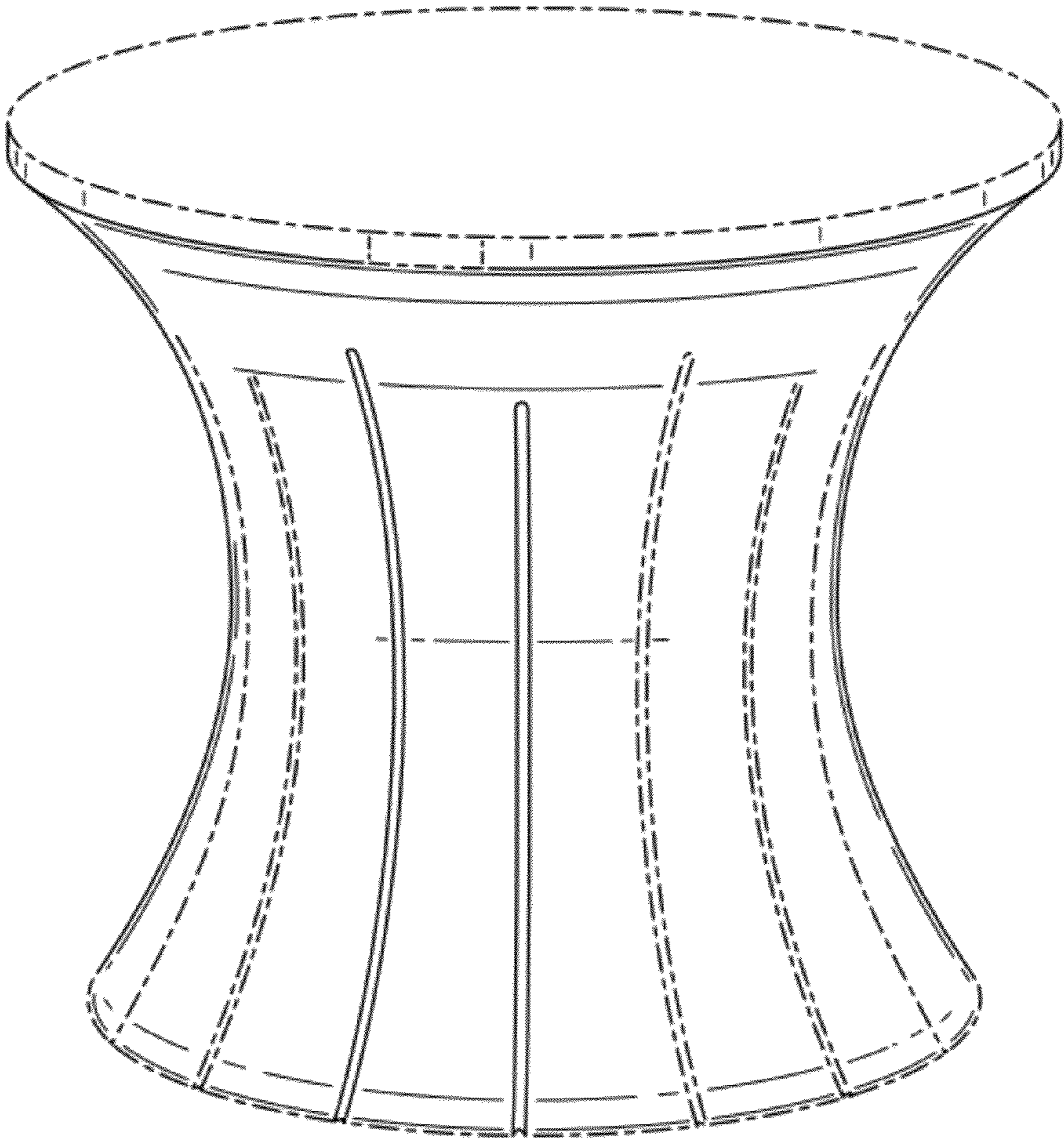


FIG. 1

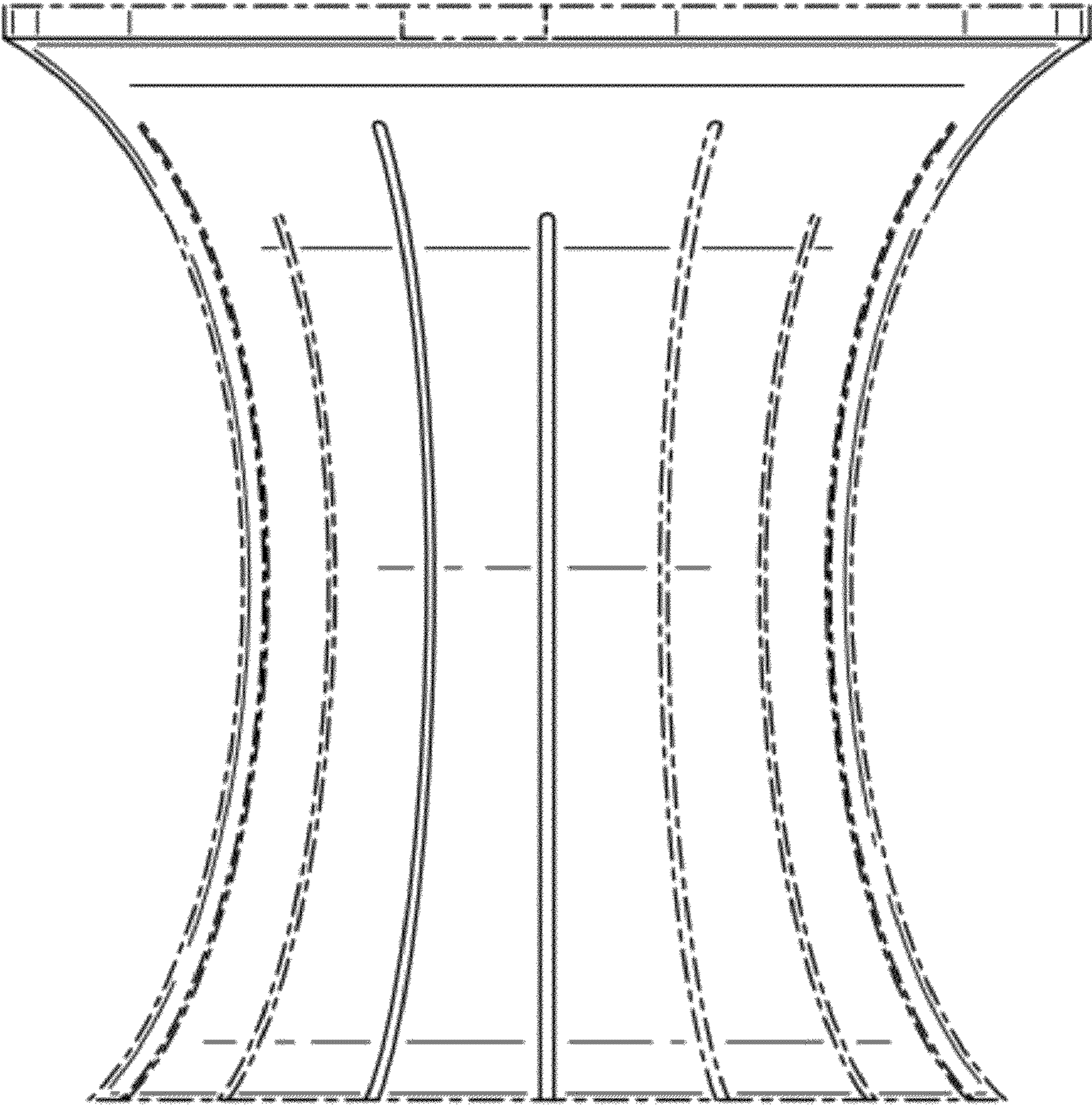


FIG. 2

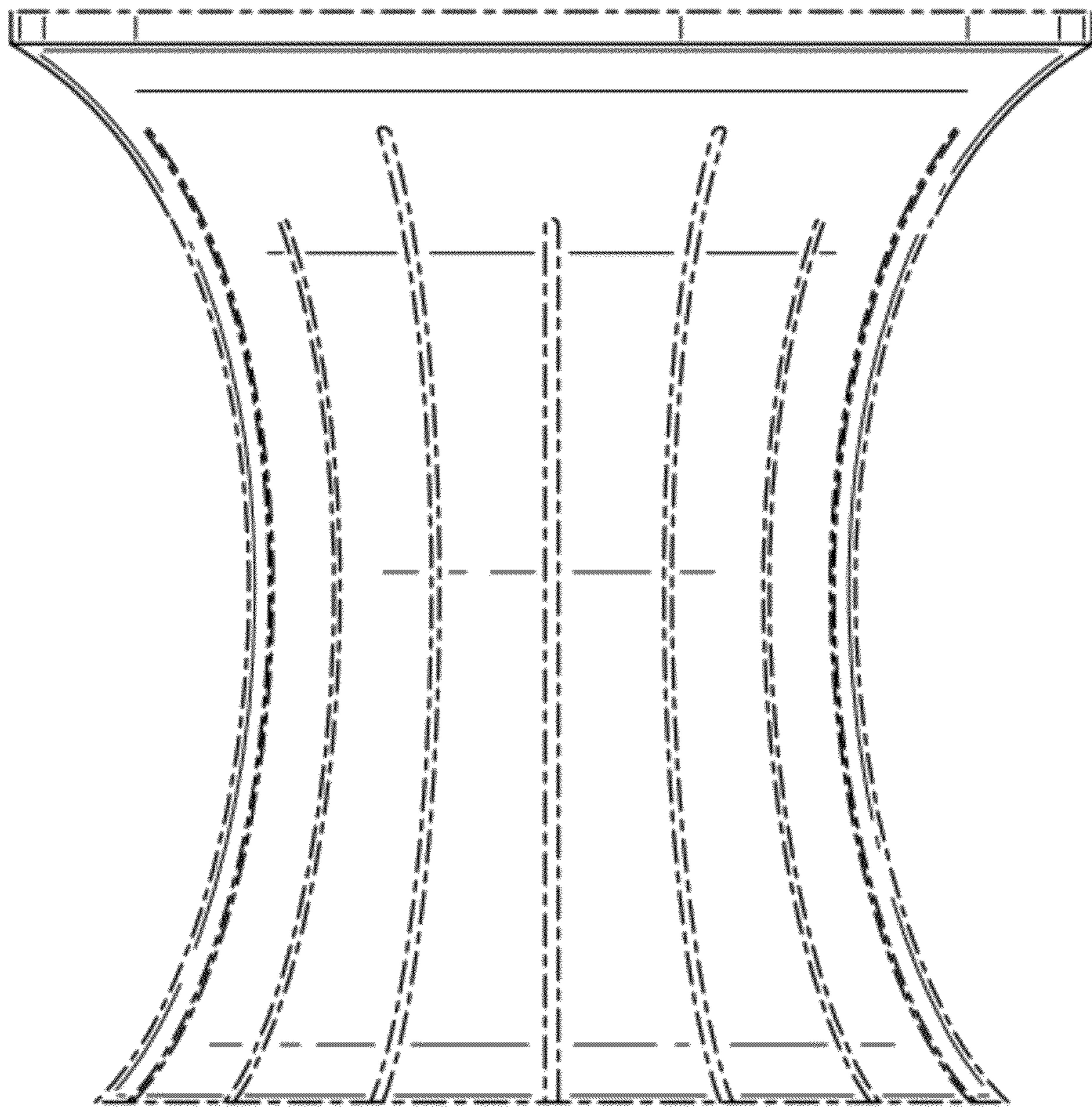


FIG. 3

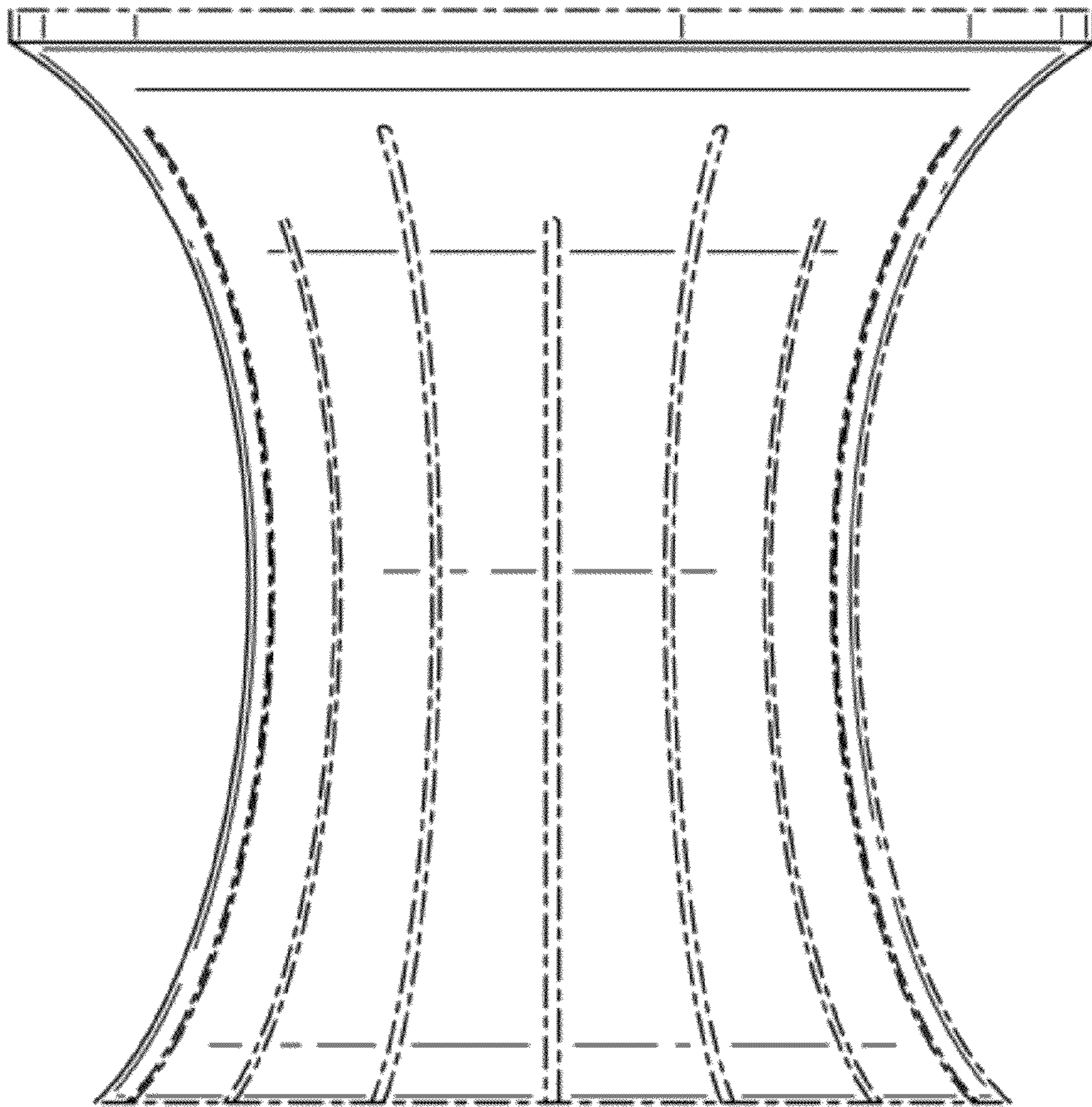


FIG. 4

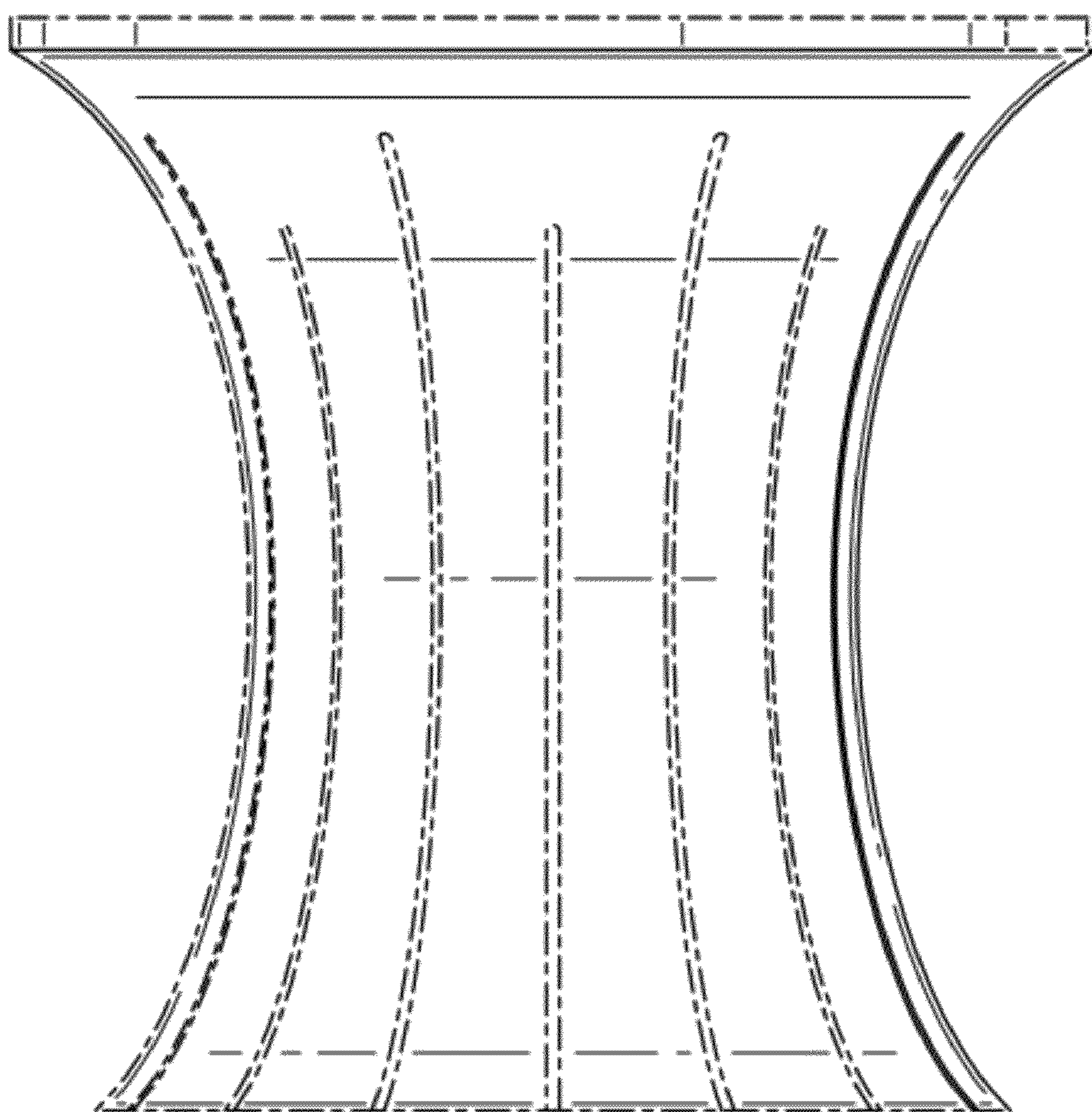


FIG. 5

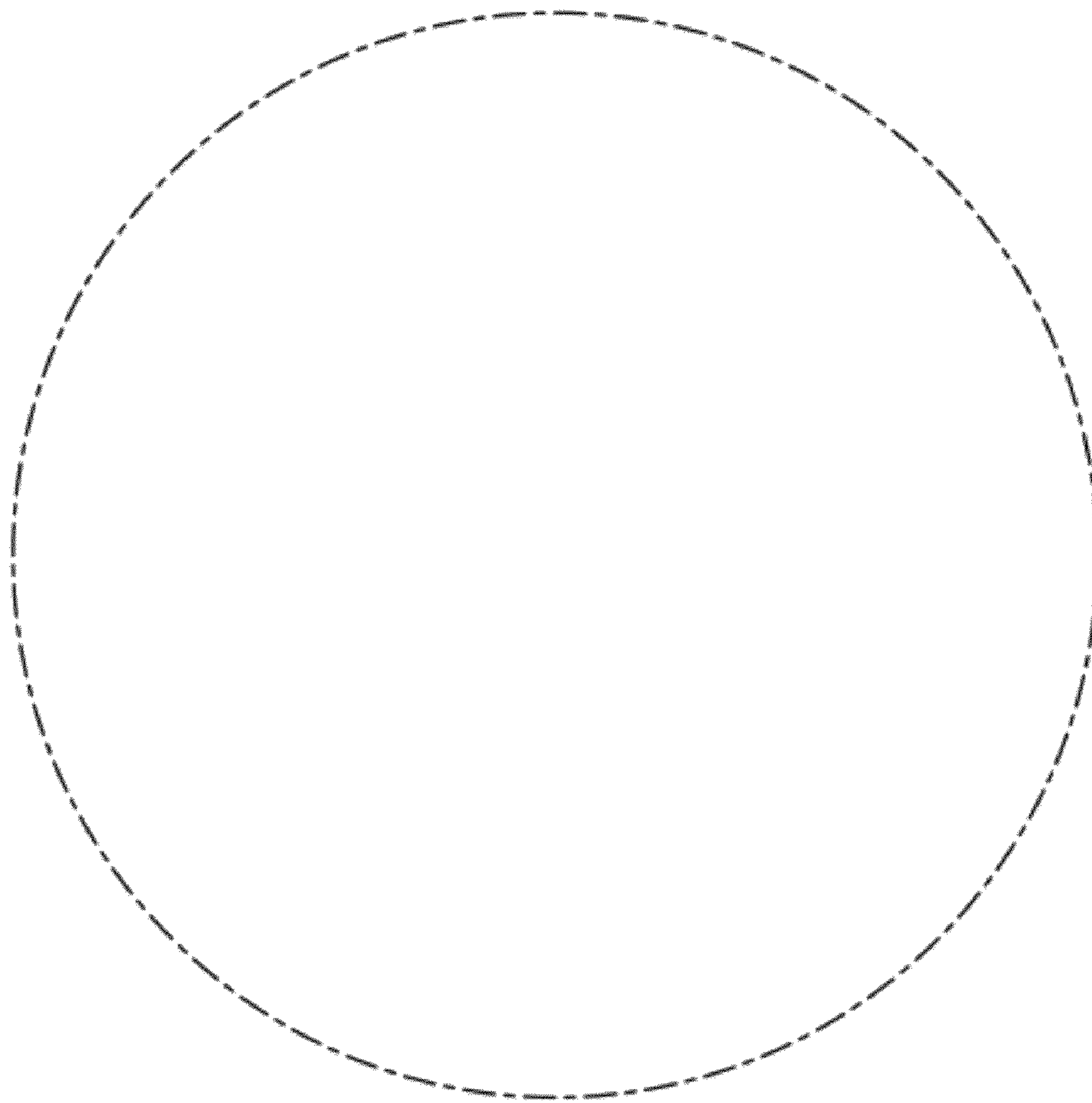


FIG. 6

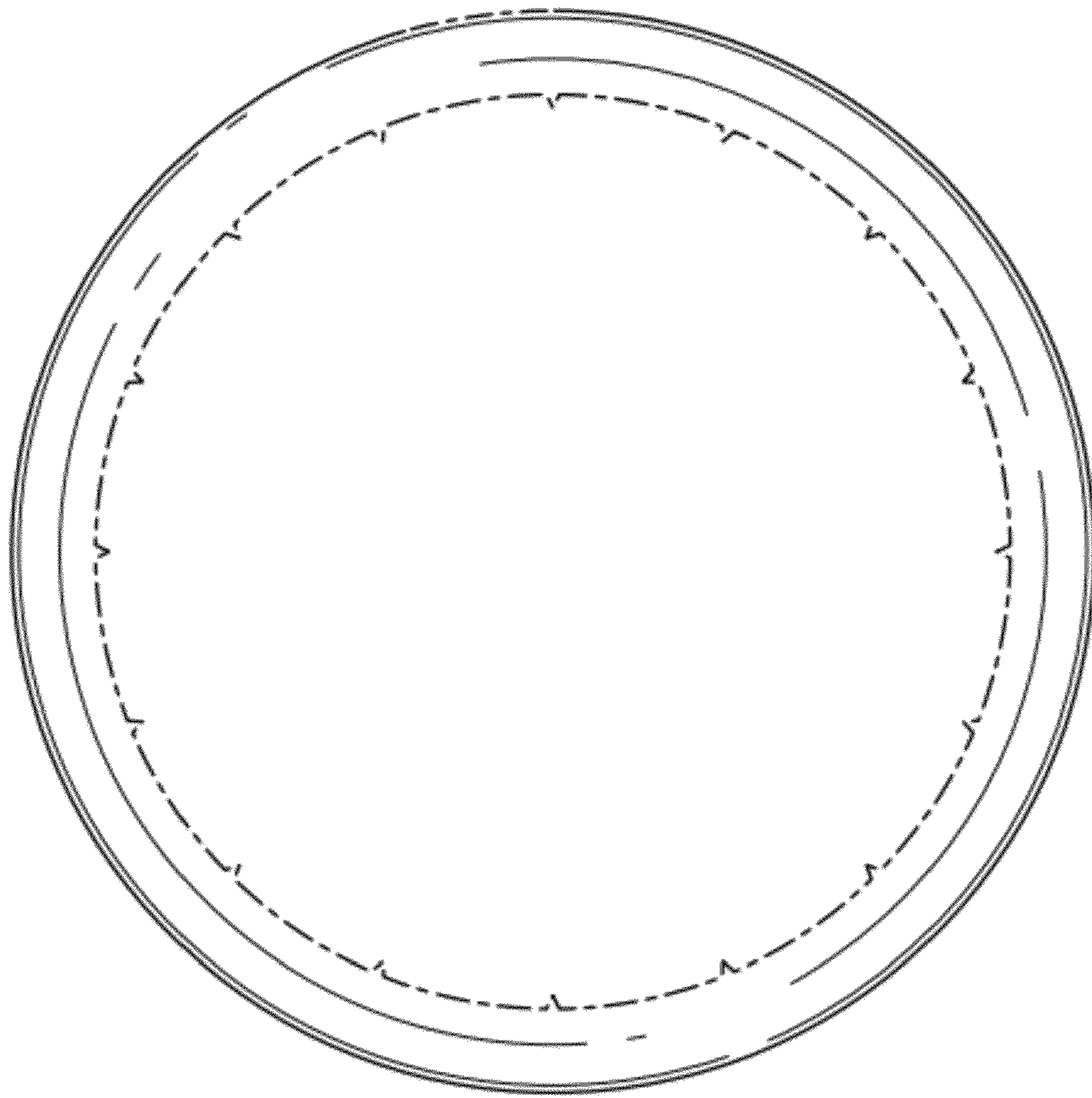


FIG. 7