

US00D663965S

(12) **United States Design Patent**  
**Colvin et al.**

(10) **Patent No.:** **US D663,965 S**  
(45) **Date of Patent:** **\*\* Jul. 24, 2012**

(54) **FAUX BOIS CHAIR**

(76) Inventors: **Joseph Colvin**, San Antonio, TX (US);  
**Daniel Hastings**, San Antonio, TX (US)

(\*\*) Term: **14 Years**

(21) Appl. No.: **29/359,755**

(22) Filed: **Apr. 14, 2010**

(51) **LOC (9) Cl.** ..... **06-01**

(52) **U.S. Cl.** ..... **D6/358**

(58) **Field of Classification Search** ..... D6/310,  
D6/334-336, 348, 358-381, 500-502; 297/271.6,  
297/287, 297, 299, 300.4, 301.3, 354.1, 411.2,  
297/411.27, 411.28, 445.1, 446.1, 452.13

See application file for complete search history.

(56) **References Cited**

**U.S. PATENT DOCUMENTS**

D23,471 S \* 7/1894 McLean ..... D6/376  
D233,383 S \* 10/1974 Ikeda ..... D6/380

D284,815 S \* 7/1986 Shaw et al. .... D6/376  
D451,694 S \* 12/2001 Vaaler ..... D6/379  
D454,736 S \* 3/2002 Swy et al. .... D6/502  
D461,969 S \* 8/2002 Diaz-Azcuy ..... D6/369  
D463,154 S \* 9/2002 Vaaler ..... D6/379  
D468,923 S \* 1/2003 O'Hare ..... D6/379  
D469,267 S \* 1/2003 Stanton ..... D6/379  
D502,612 S \* 3/2005 Tseng ..... D6/376  
D554,882 S \* 11/2007 Donner ..... D6/380  
D614,417 S \* 4/2010 Domack et al. .... D6/376

\* cited by examiner

*Primary Examiner* — Ricky Pham

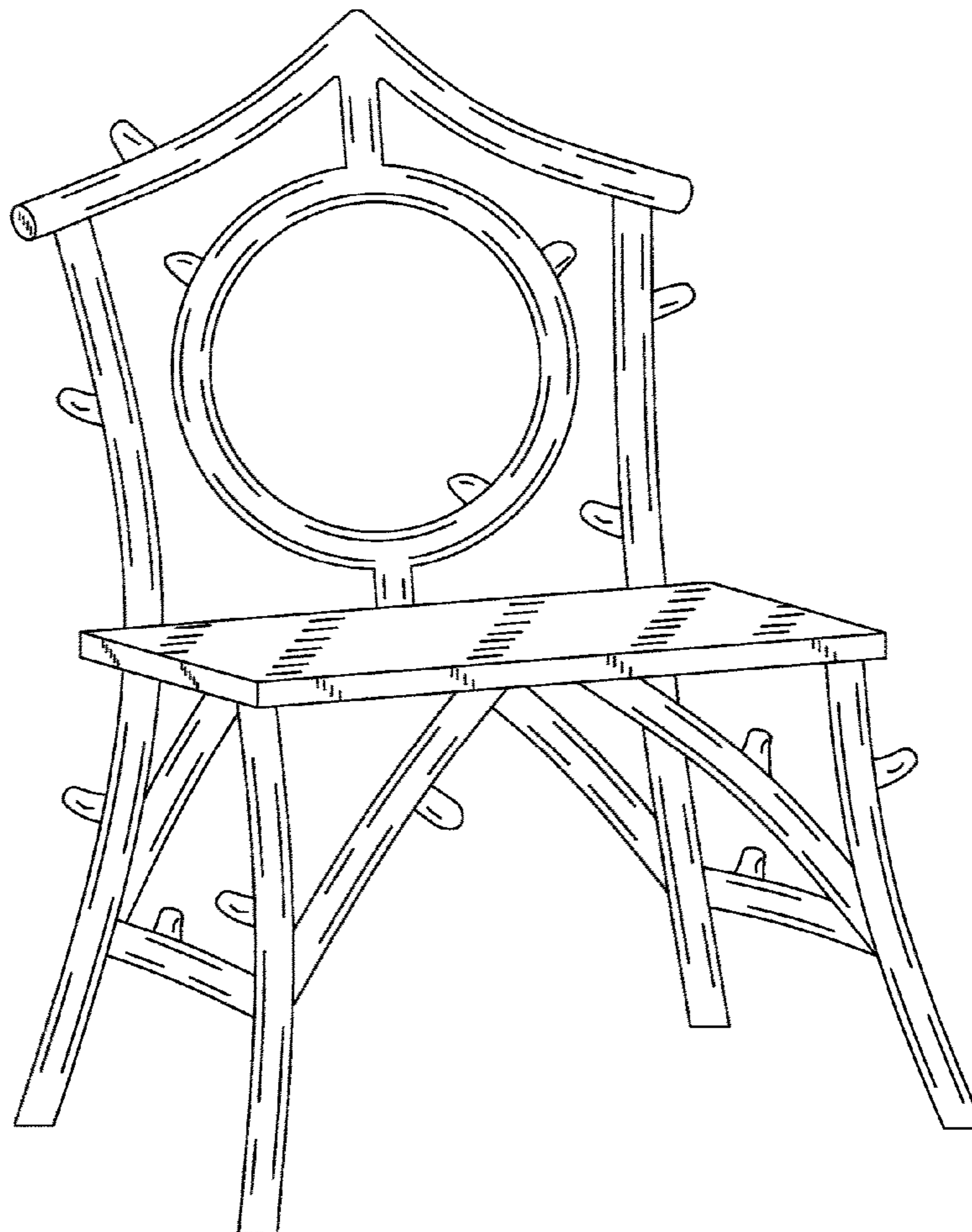
(57) **CLAIM**

The ornamental design for a faux bois chair, as shown and described.

**DESCRIPTION**

FIG. 1 is a perspective view of a faux bois chair; and,  
FIG. 2 is a side view of the right side of the faux bois chair of  
FIG. 1.

**1 Claim, 2 Drawing Sheets**



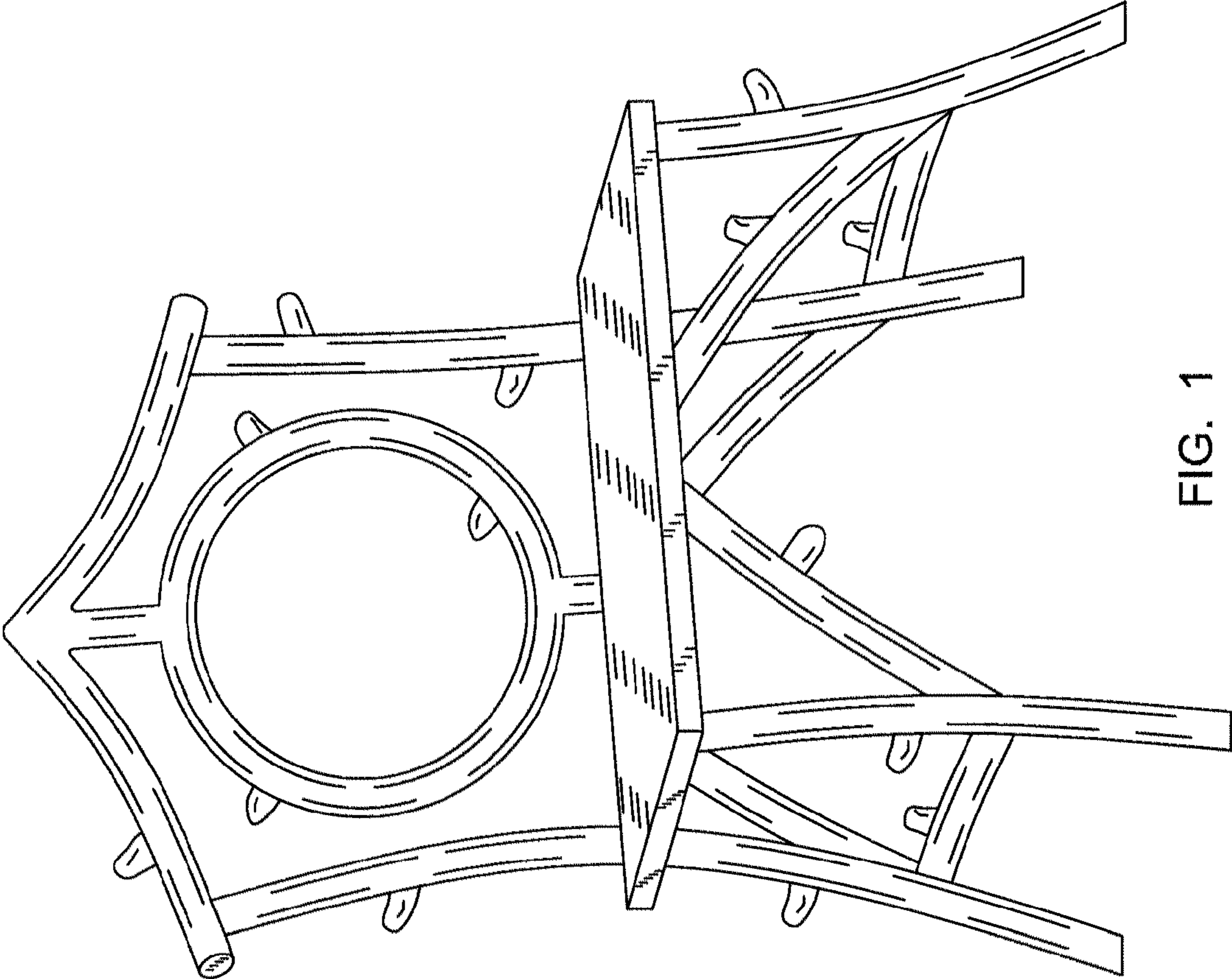


FIG. 1

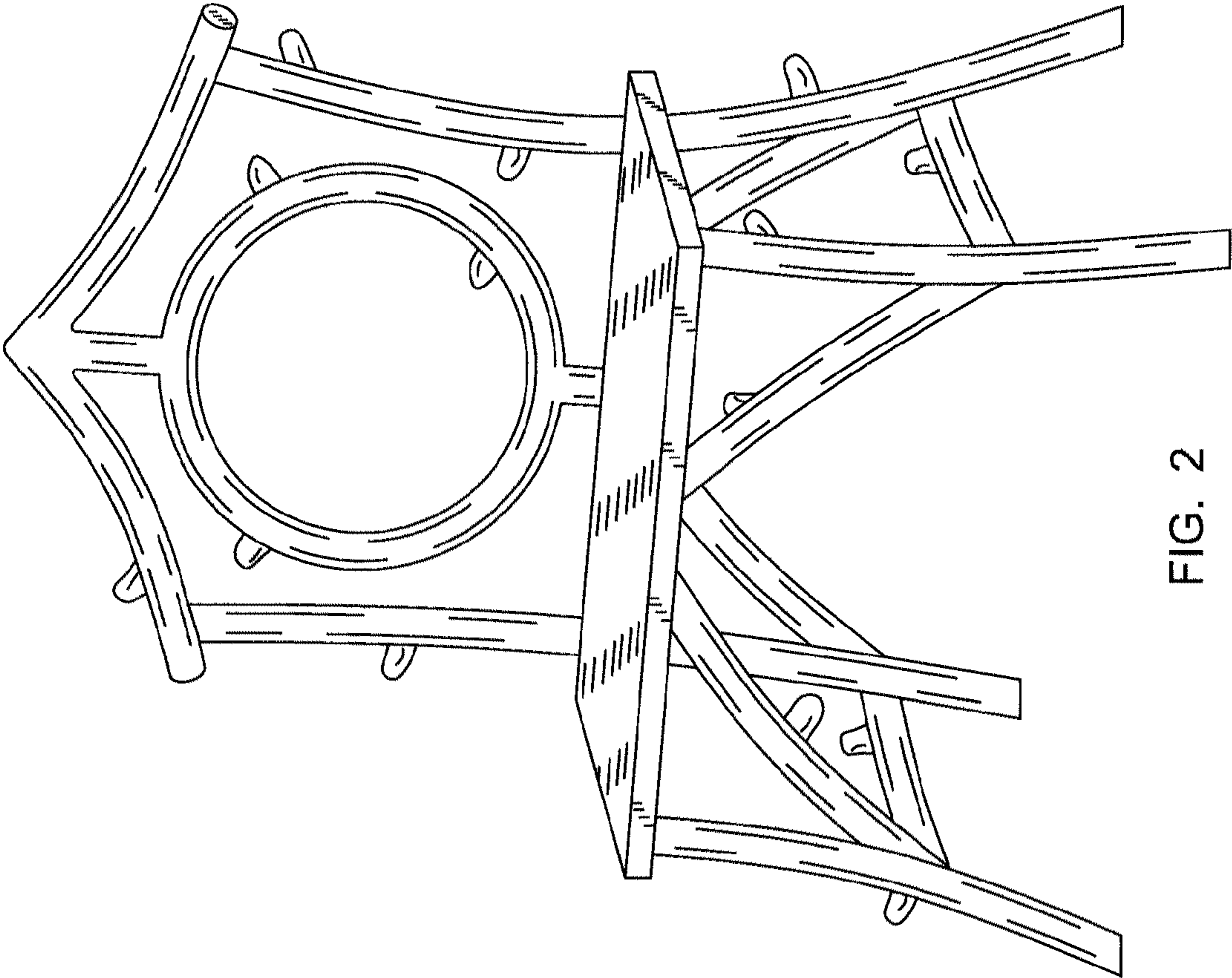


FIG. 2