



US00D663961S

(12) **United States Design Patent**
Burns

(10) **Patent No.:** **US D663,961 S**
(45) **Date of Patent:** **** Jul. 24, 2012**

- (54) **DOOR FRAME HANGER**
- (75) Inventor: **Les Burns**, Mentone, CA (US)
- (73) Assignee: **Prime-Line Products Co., Inc.**,
Redlands, CA (US)
- (**) Term: **14 Years**
- (21) Appl. No.: **29/374,610**
- (22) Filed: **Sep. 9, 2011**
- (51) **LOC (9) Cl.** **06-08**
- (52) **U.S. Cl.** **D6/328**
- (58) **Field of Classification Search** D8/315-328;
223/85-98, 105, 111, 120, DIG. 2; 211/13.1,
211/86.01, 105.2, 105.3, 134; 248/317, 309.1;
D3/328
See application file for complete search history.

- 4,834,248 A * 5/1989 Lee 211/85.3
- D313,891 S * 1/1991 Kapp D6/324
- 4,988,228 A * 1/1991 Yeh 401/289
- D324,783 S * 3/1992 Greenhut et al. D6/323
- 6,336,247 B1 * 1/2002 Schnoor 16/87.6 R
- D651,415 S * 1/2012 Noe et al. D6/323

* cited by examiner

Primary Examiner — Prabhakar Deshmukh
(74) *Attorney, Agent, or Firm* — James A. Quinton

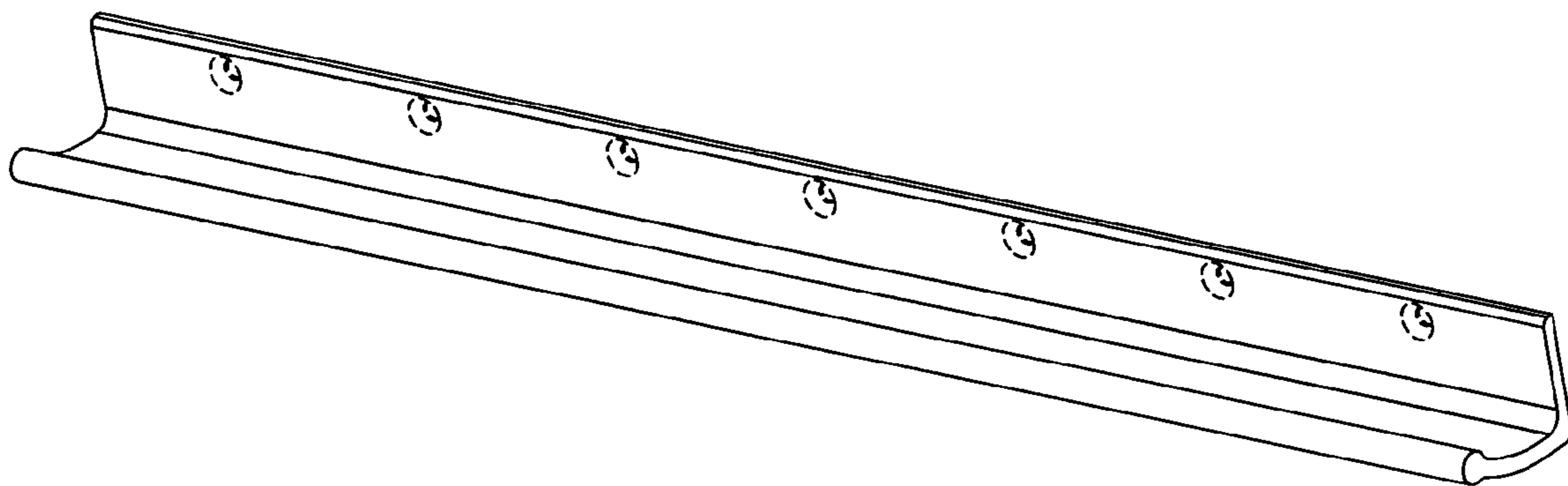
(57) **CLAIM**
I claim the ornamental design for a door frame hanger, as shown as described.

DESCRIPTION

FIG. 1 is a front elevational view of a door frame hanger showing my new design;
FIG. 2 is a left side elevational view thereof, the right side elevational view being a mirror image thereof;
FIG. 3 is a top plan view thereof;
FIG. 4 is a rear elevational view thereof;
FIG. 5 is a bottom plan view thereof;
FIG. 6 is a front perspective view thereof; and,
FIG. 7 is a left side elevational view thereof, shown in the environmental use.
The broken lines environment is for illustrative purpose only and forms no part of the claimed design.

1 Claim, 7 Drawing Sheets

- (56) **References Cited**
- U.S. PATENT DOCUMENTS
- 1,792,568 A * 2/1931 Boedtcher 16/106
- 1,985,787 A * 12/1934 Le Bourveau 292/33
- 2,048,845 A * 7/1936 Danley 16/87 R
- D145,874 S * 11/1946 Pauly D6/324
- 2,515,293 A * 7/1950 Carter 211/85.3
- D280,575 S * 9/1985 Benedict D6/324
- D295,344 S * 4/1988 Pryor et al. D6/323



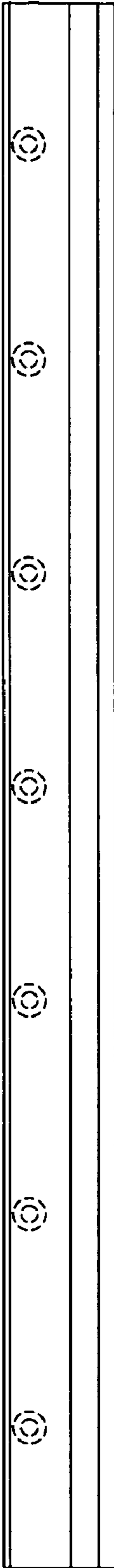


Fig.1

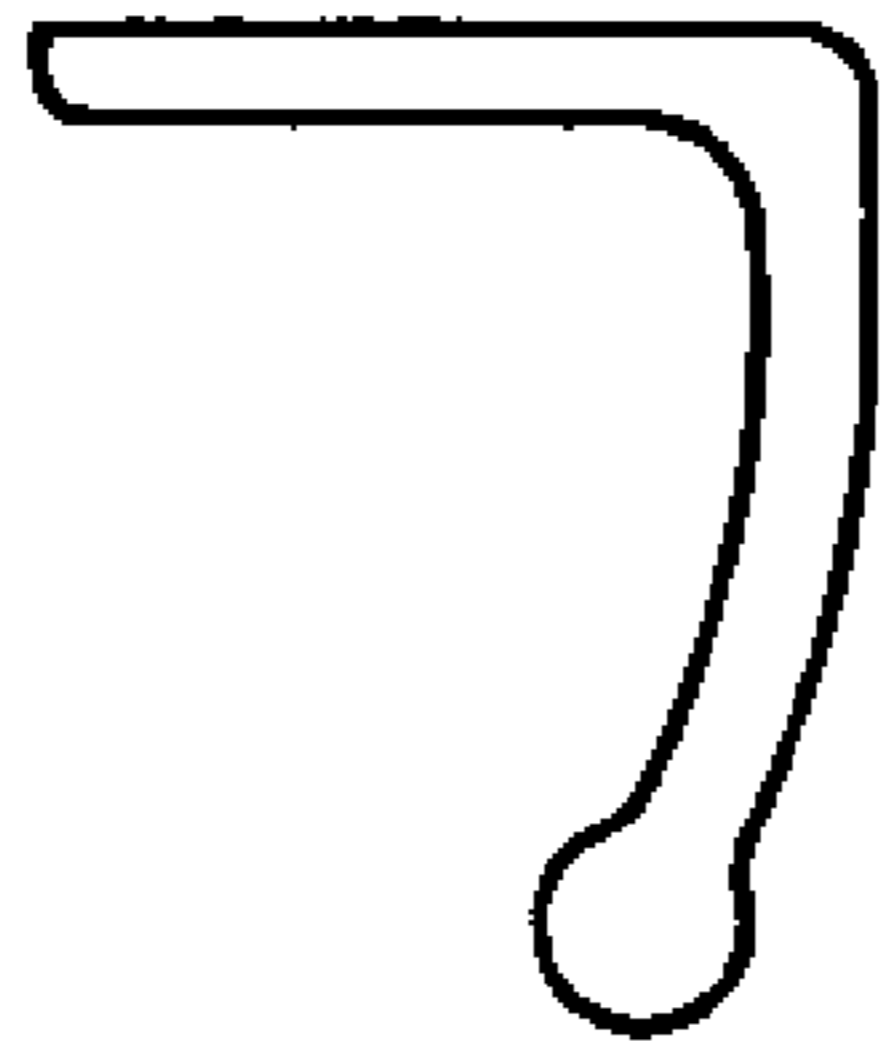


Fig. 2

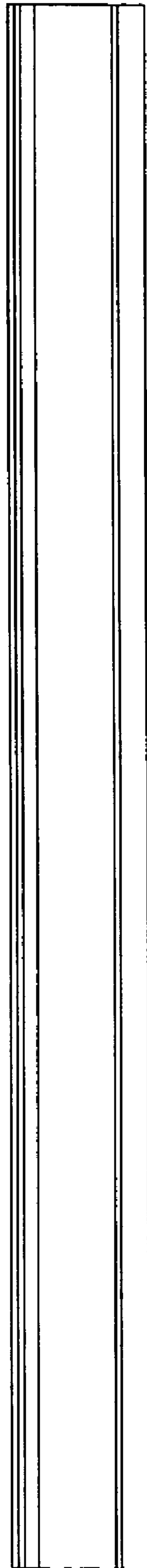


Fig.3

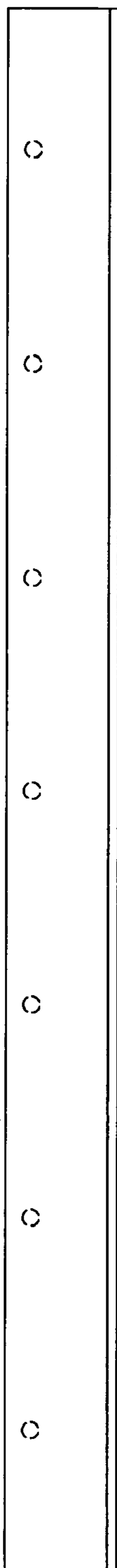


Fig.4

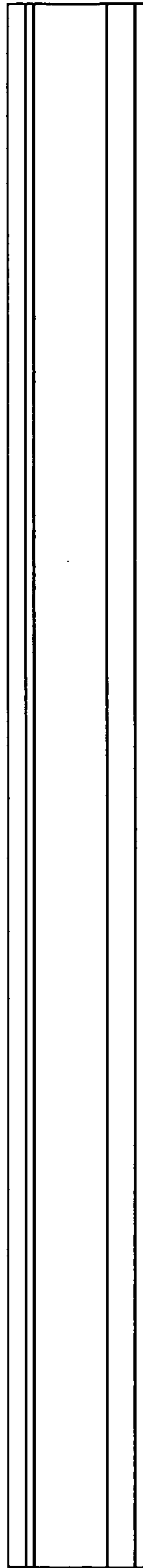


Fig.5

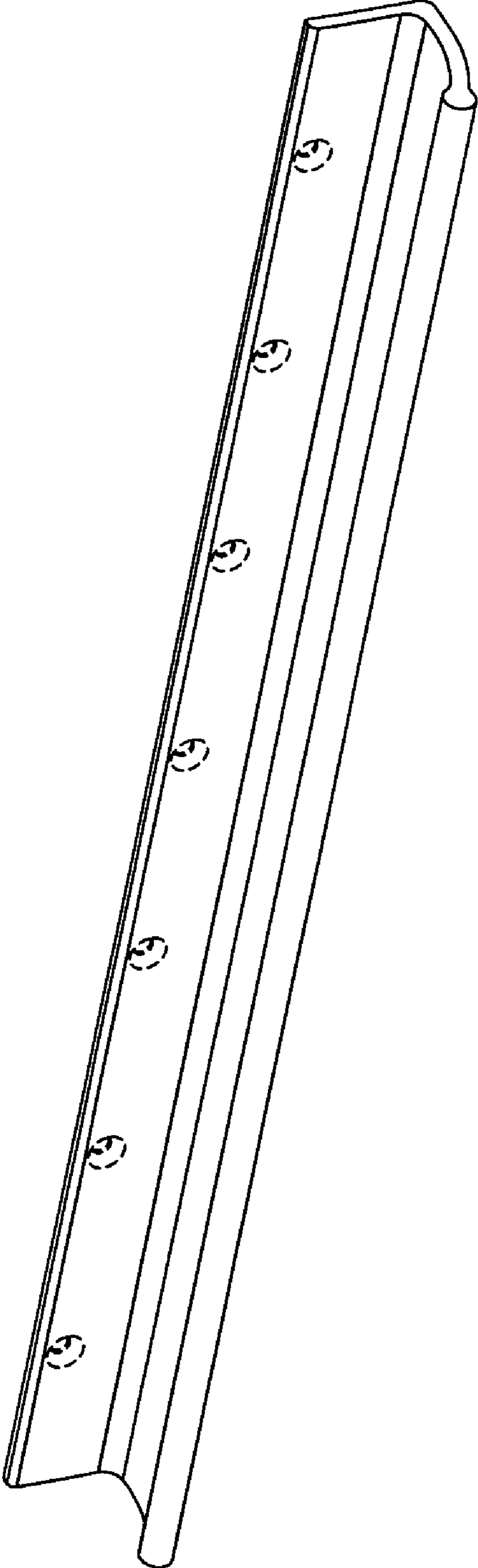


Fig.6

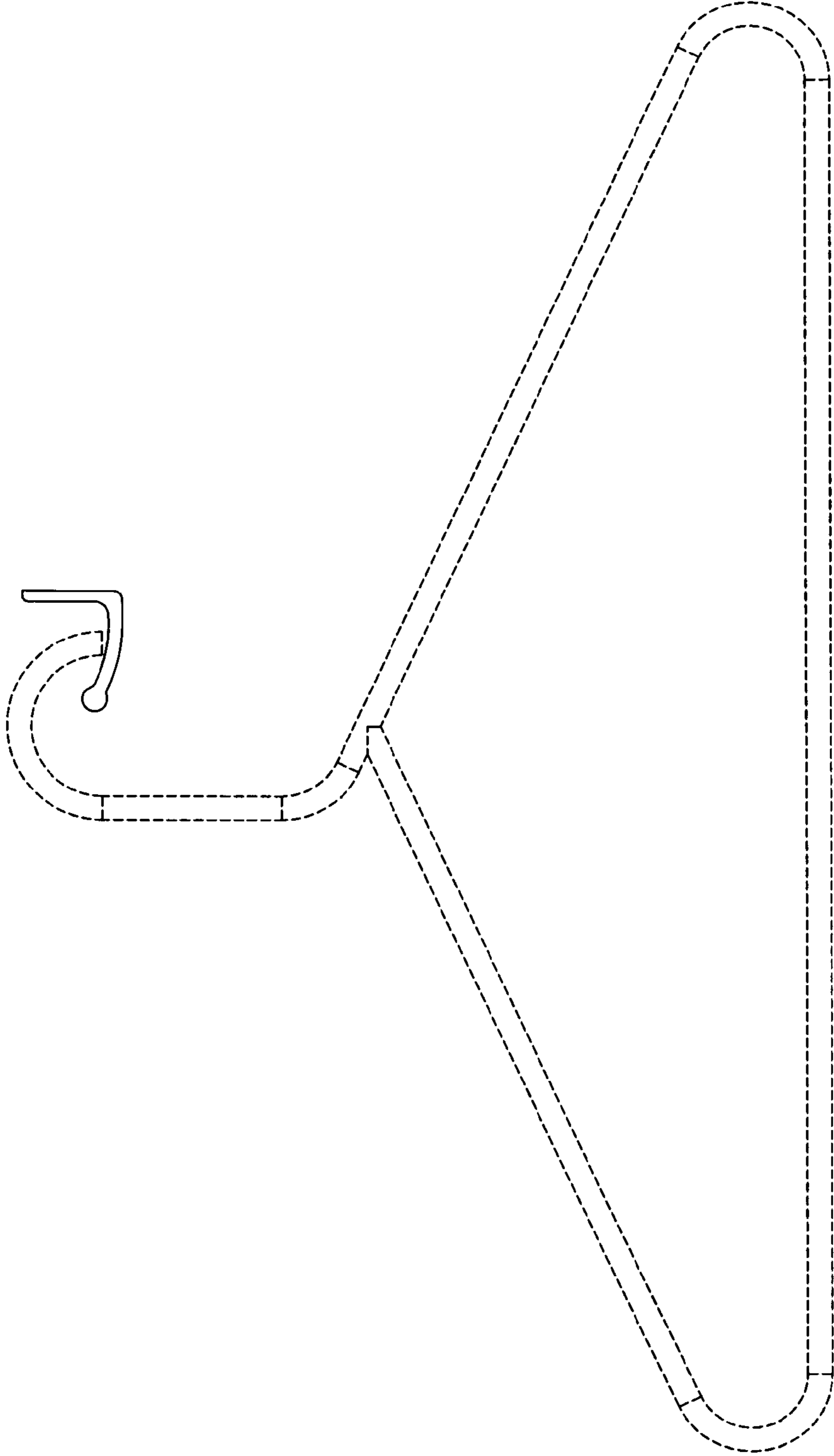


Fig.7