



US00D663954S

(12) **United States Design Patent**
Auster

(10) **Patent No.:** **US D663,954 S**

(45) **Date of Patent:** **** Jul. 24, 2012**

(54) **PROFILE FOR A HINGED CONTAINER WALL**

(75) Inventor: **Hélio Israel Auster**, Salvador (BR)

(73) Assignee: **Impar Containeres Ltda.**, Salvador (BR)

(**) Term: **14 Years**

(21) Appl. No.: **29/344,647**

(22) Filed: **Oct. 1, 2009**

(51) **LOC (9) Cl.** **03-01**

(52) **U.S. Cl.** **D3/318**

(58) **Field of Classification Search** D3/318;
D25/119, 121; D9/434

See application file for complete search history.

(56) **References Cited**

U.S. PATENT DOCUMENTS

D251,451 S *	3/1979	Toder	D25/121
D354,687 S *	1/1995	Niknafs	D9/434
D427,325 S *	6/2000	Ginzel	D25/119
D427,694 S *	7/2000	Bevan et al.	D25/121

* cited by examiner

Primary Examiner — Holly Baynham

(74) *Attorney, Agent, or Firm* — Birch, Stewart, Kolasch & Birch, LLP

(57) **CLAIM**

The ornamental design for a profile for a hinged container wall, as shown and described.

DESCRIPTION

FIG. 1 is a front, right perspective view of the profile for a hinged container wall showing my new design;

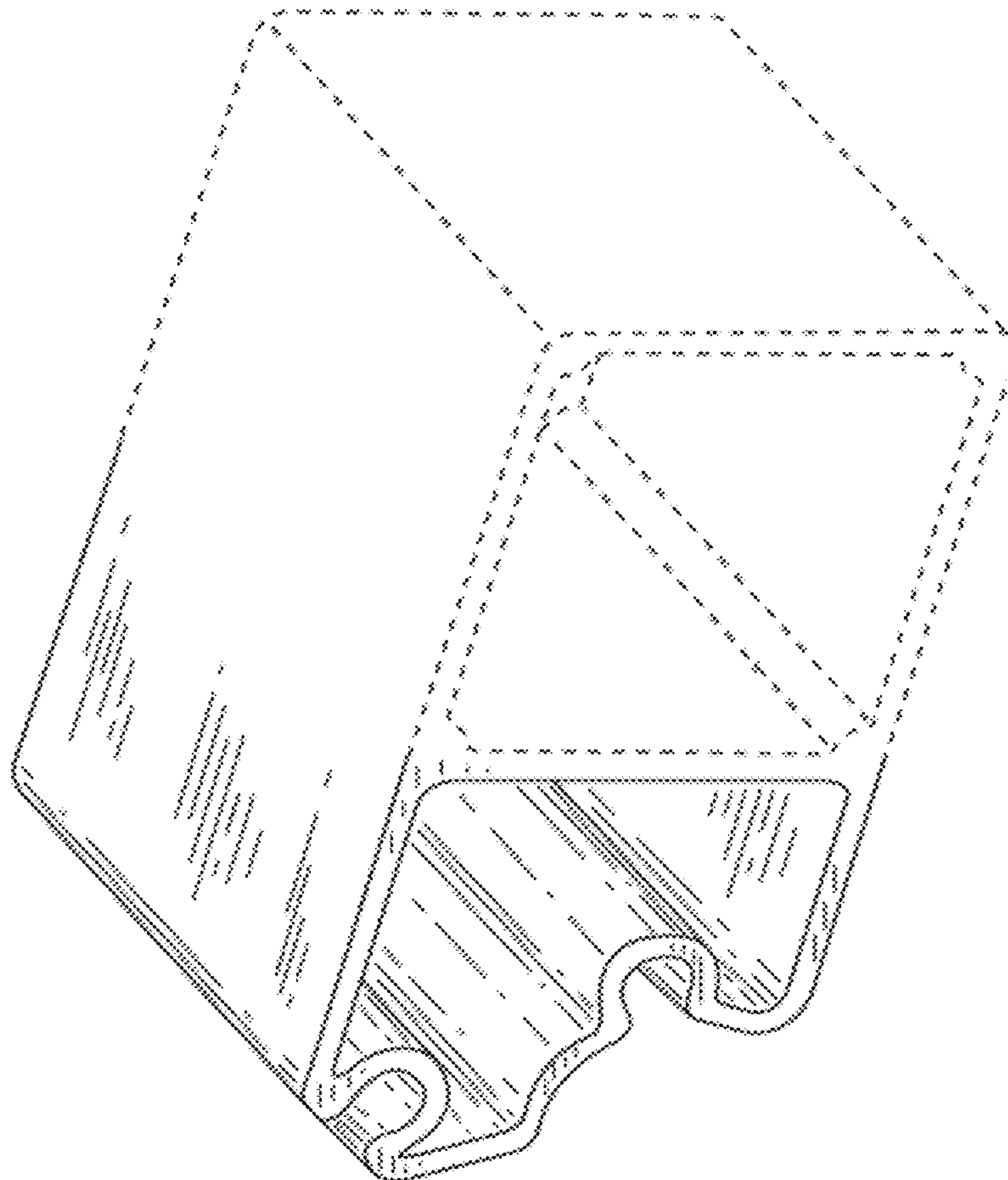
FIG. 2 is a right side view of the first embodiment of the profile for a hinged container wall of FIG. 1;

FIG. 3 is a front view of the first embodiment of the profile for a hinged container wall of FIG. 1; and,

FIG. 4 is a bottom view of the first embodiment of the profile for a hinged container wall of FIG. 1.

The broken lines immediately adjacent to the shaded areas represent the bounds of the claim and all other broken lines showing the remainder of the profile are for the purposes of illustrating the environment. None of the broken lines form a part of the claimed design.

1 Claim, 4 Drawing Sheets



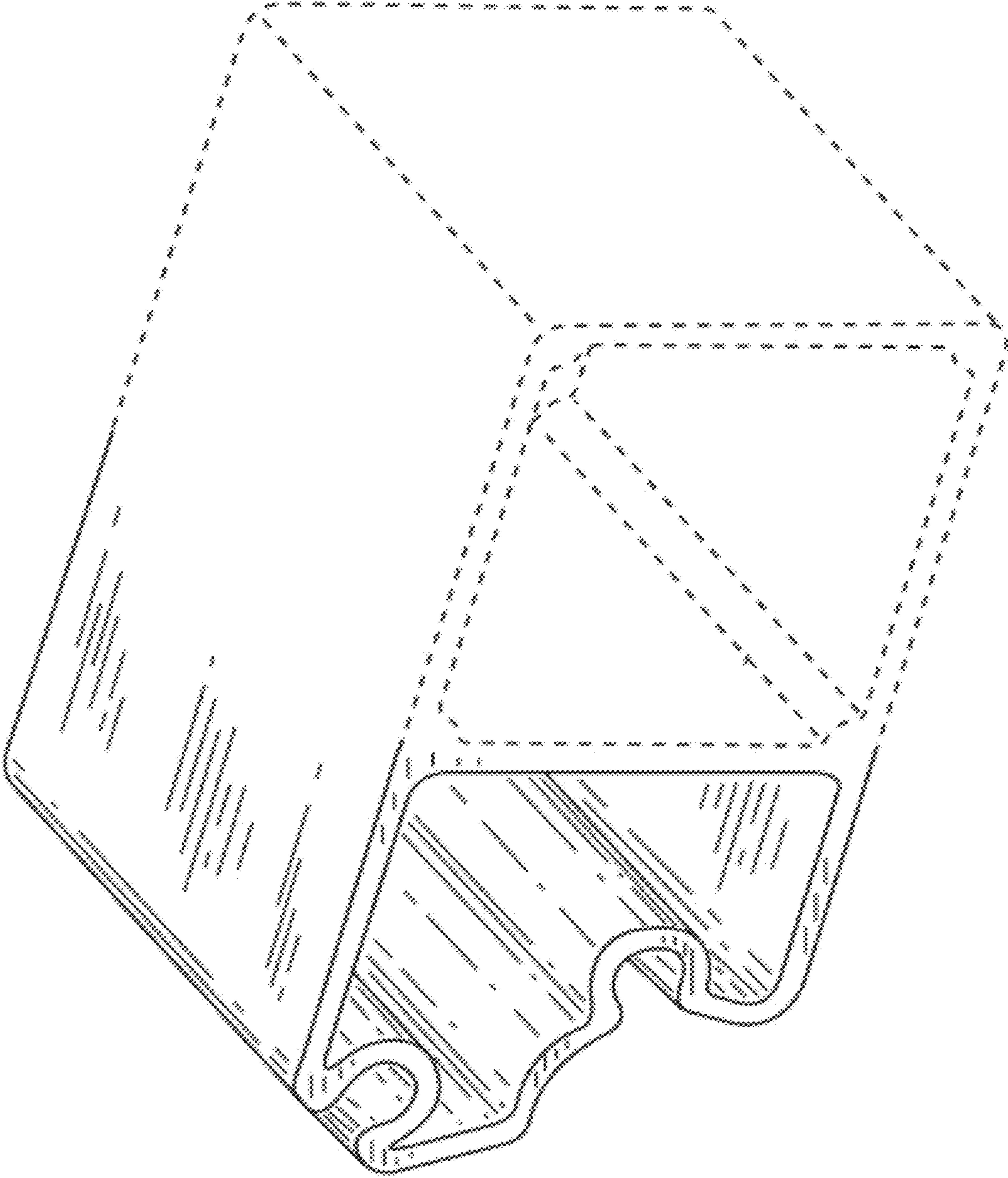


FIG. 1

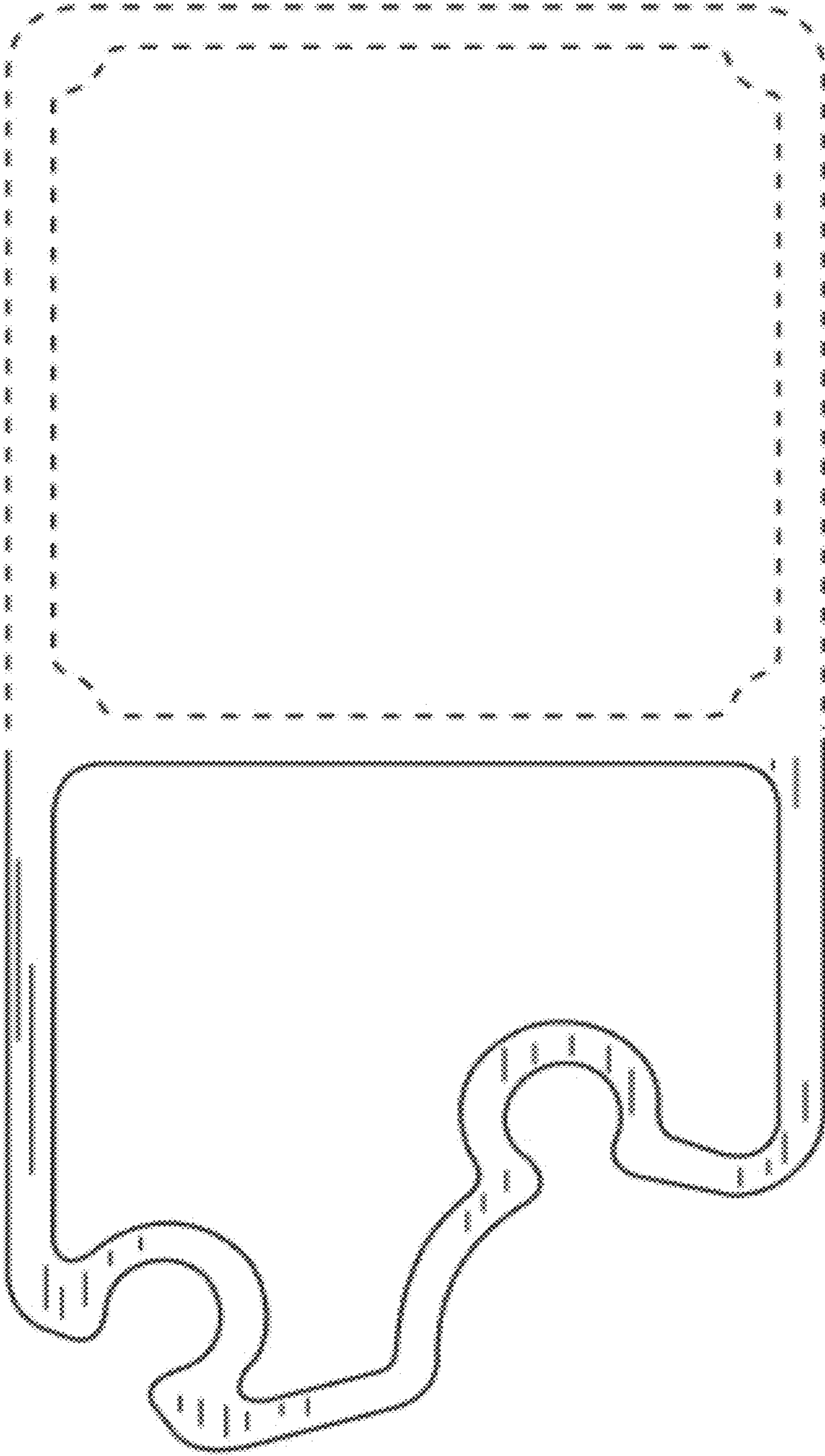


FIG. 2

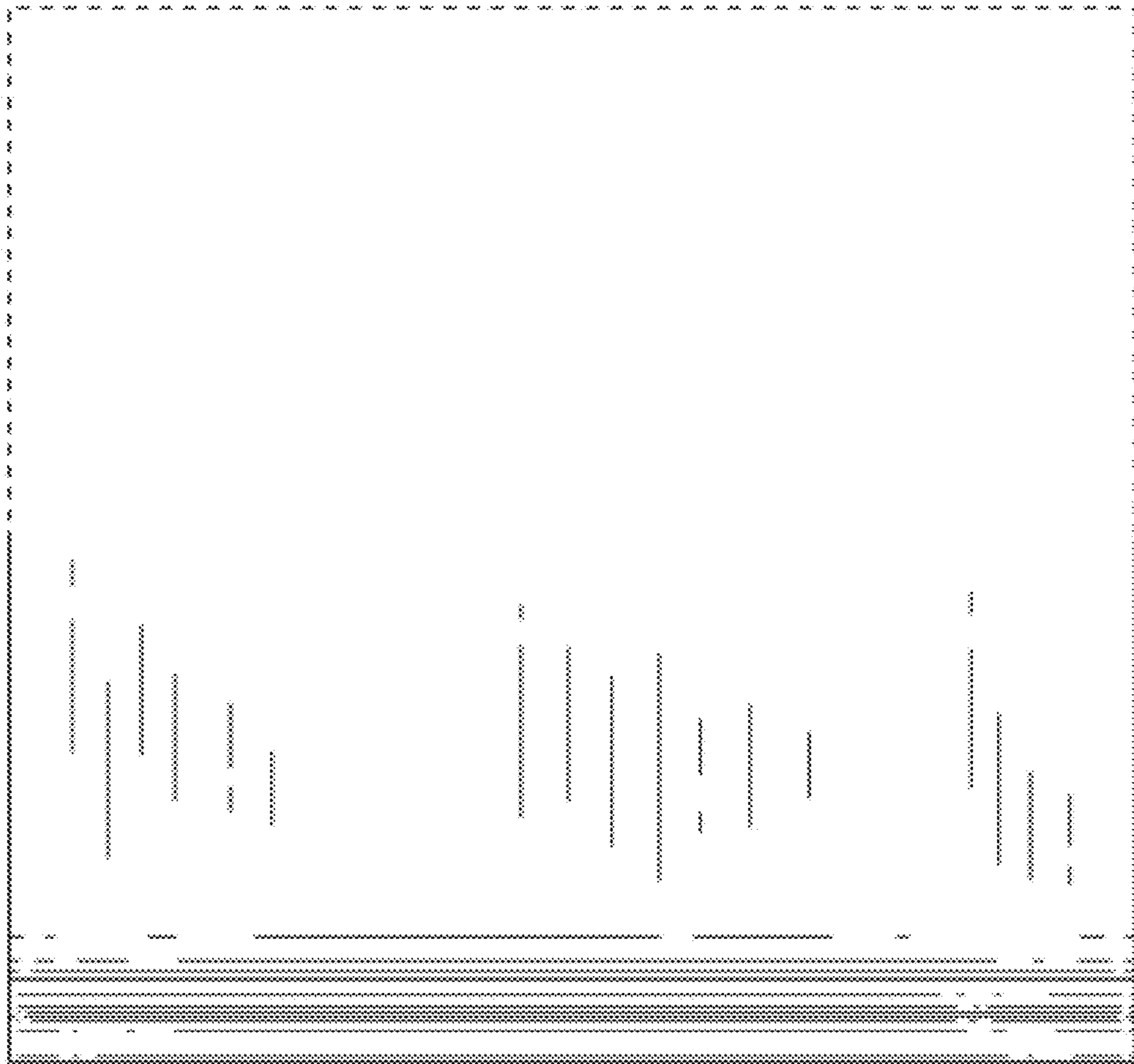


FIG. 3

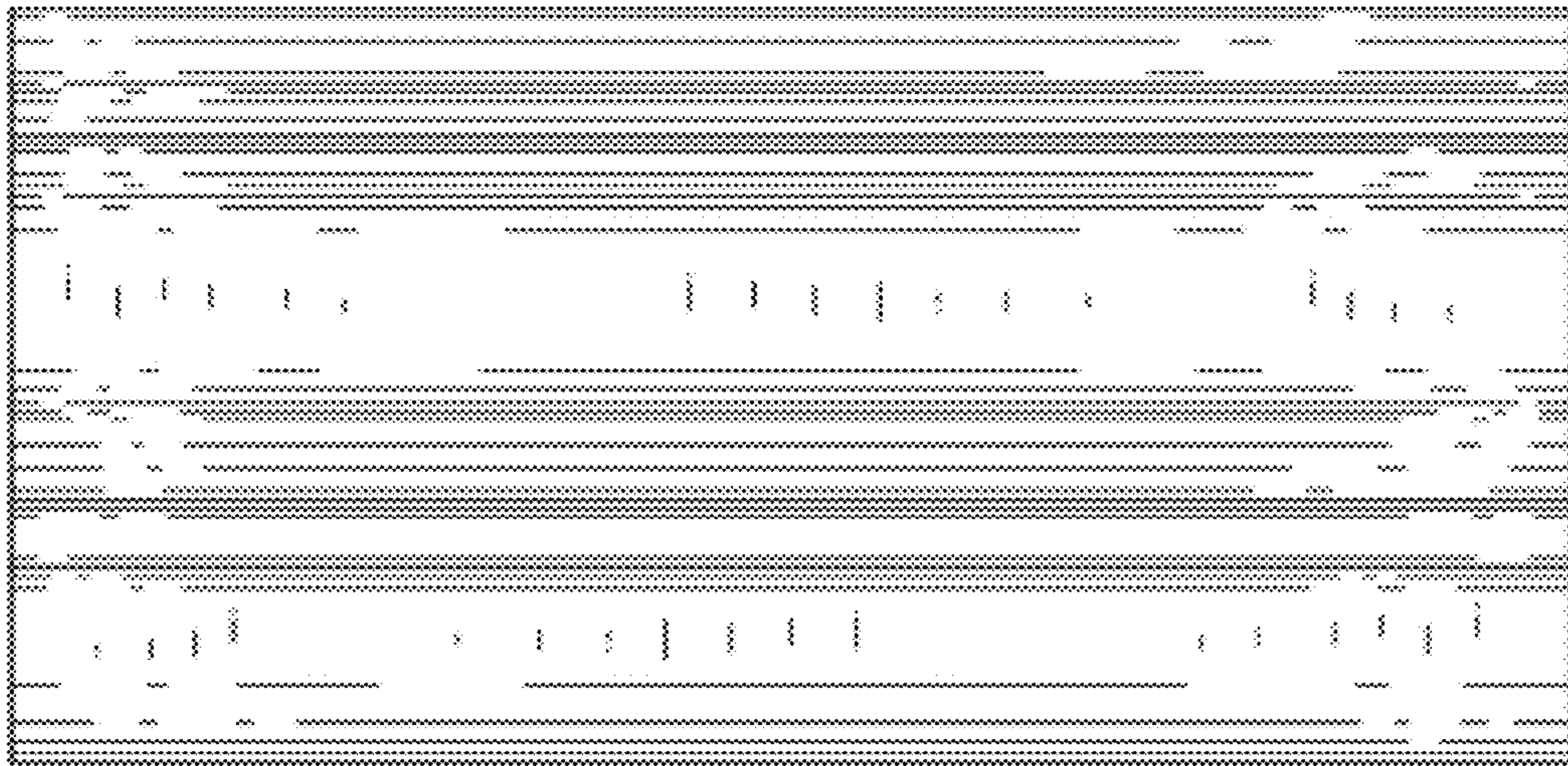


FIG. 4