

US00D663952S

(12) **United States Design Patent**
Crevling, Jr. et al.

(10) **Patent No.:** **US D663,952 S**
(45) **Date of Patent:** **** Jul. 24, 2012**

(54) **COMBINATION TOOLBOX AND VACUUM CLEANER**

DESCRIPTION

(75) Inventors: **Robert Lent Crevling, Jr.**, Cogan Station, PA (US); **Jason Gottschall**, South Williamsport, PA (US); **Craig A. Seasholtz**, Avis, PA (US); **John Griffin**, Phoenix, AZ (US)

(73) Assignee: **Shop Vac Corporation**, Williamsport, PA (US)

(**) Term: **14 Years**

(21) Appl. No.: **29/380,076**

(22) Filed: **Nov. 30, 2010**

(51) **LOC (9) Cl.** **03-01**

(52) **U.S. Cl.** **D3/274; D32/21; D3/279; D3/284**

(58) **Field of Classification Search** **D3/273, D3/274, 276, 279, 281, 283-284, 294, 295, D3/905; D32/21, 18, 24; 206/349, 372-379, 206/1.5; 55/DIG. 3, 345, 357, 429, 271**

See application file for complete search history.

(56) **References Cited**

U.S. PATENT DOCUMENTS

D206,574 S * 1/1967 Cook D32/24

(Continued)

FOREIGN PATENT DOCUMENTS

GB 2406331 A * 3/2005

Primary Examiner — Jennifer Rivard

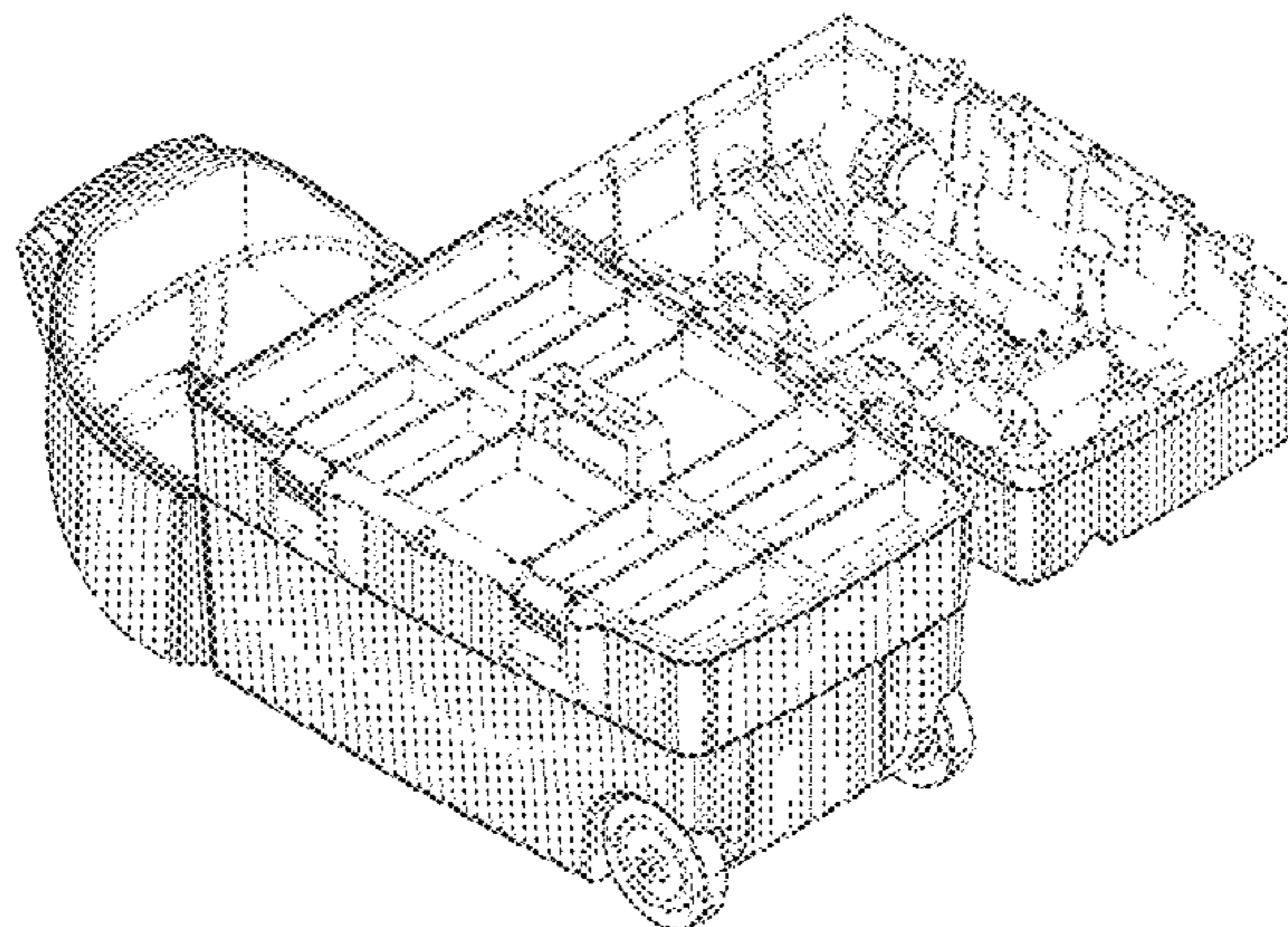
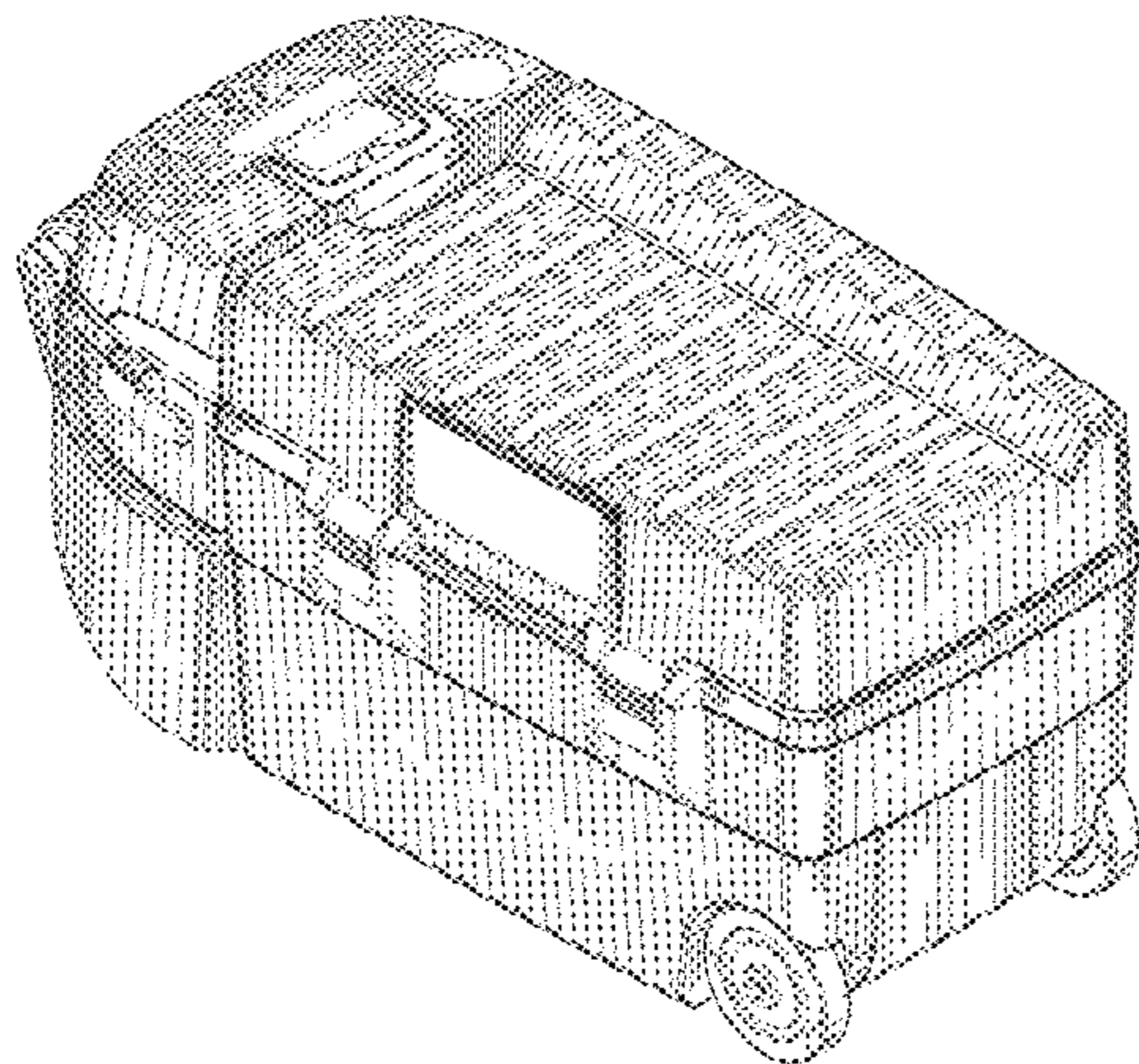
(74) *Attorney, Agent, or Firm* — Marshall, Gerstein & Borun LLP; Robert M. Gerstein; Richard M. LaBarge

(57) **CLAIM**

The ornamental design for a combined toolbox and vacuum cleaner, as shown and described.

FIG. 1 is a front, top, and side view of a combined toolbox and vacuum cleaner that has the design.
FIG. 2 is an elevation view of the front of the product.
FIG. 3 is an elevation view of the vacuum side of the product.
FIG. 4 is an elevation view of the toolbox side of the product.
FIG. 5 is an elevation view of the rear of the product.
FIG. 6 is a top view of the product.
FIG. 7 is a bottom view of the product.
FIG. 8 is a front, top and side view of the vacuum part of the product.
FIG. 9 is an elevation view of the front of the vacuum part of the product.
FIG. 10 is an elevation view of an outer end of the vacuum part of the product.
FIG. 11 is an elevation view of the mating end of the vacuum part of the product.
FIG. 12 is an elevation view of the rear of the vacuum part of the product.
FIG. 13 is a top view of the vacuum part of the product.
FIG. 14 is a bottom view of the vacuum part of the product.
FIG. 15 is front, top and side view of the toolbox part of the product.
FIG. 16 is a view of the toolbox part of the product, with the lid opened.
FIG. 17 is a view of the toolbox part of the product, with the lid opened and the tray removed.
FIG. 18 is an elevation view of the front of the toolbox part of the product.
FIG. 19 is an elevation view of one end of the toolbox part of the product.
FIG. 20 is an elevation view of the opposite end of the toolbox part of the product.
FIG. 21 is an elevation view of the rear of the toolbox part of the product.
FIG. 22 is a top view of the toolbox part of the product; and, FIG. 23 is a bottom view of the toolbox part of the product.
The broken lines shown in the drawings illustrate portions of the combination toolbox and vacuum cleaner and form no part of the claimed design.

1 Claim, 23 Drawing Sheets



US D663,952 S

Page 2

U.S. PATENT DOCUMENTS

| | | | | | | | | | |
|----------------|---------|------------------|-------|-----------|-------------------|---------|------------------|-------|---------|
| D261,267 S * | 10/1981 | Hug | | D32/21 | D558,410 S * | 12/2007 | Hill et al. | | D32/21 |
| D329,747 S * | 9/1992 | Embree | | D3/294 | 7,306,099 B2 * | 12/2007 | Chen | | 206/379 |
| D369,022 S * | 4/1996 | Sun | | D3/271.12 | D609,911 S * | 2/2010 | Twig | | D3/279 |
| D378,874 S * | 4/1997 | Dickinson et al. | | D3/281 | D613,560 S * | 4/2010 | Robichaud et al. | | D7/605 |
| 5,799,362 A * | 9/1998 | Huffman | | 15/321 | D630,851 S * | 1/2011 | Landau et al. | | D3/279 |
| D467,426 S * | 12/2002 | Hardigg et al. | | D3/279 | D636,547 S * | 4/2011 | Moore, Jr. | | D32/24 |
| 7,284,763 B1 * | 10/2007 | King | | 280/47.26 | 2010/0000893 A1 * | 1/2010 | Twig et al. | | 206/373 |

* cited by examiner

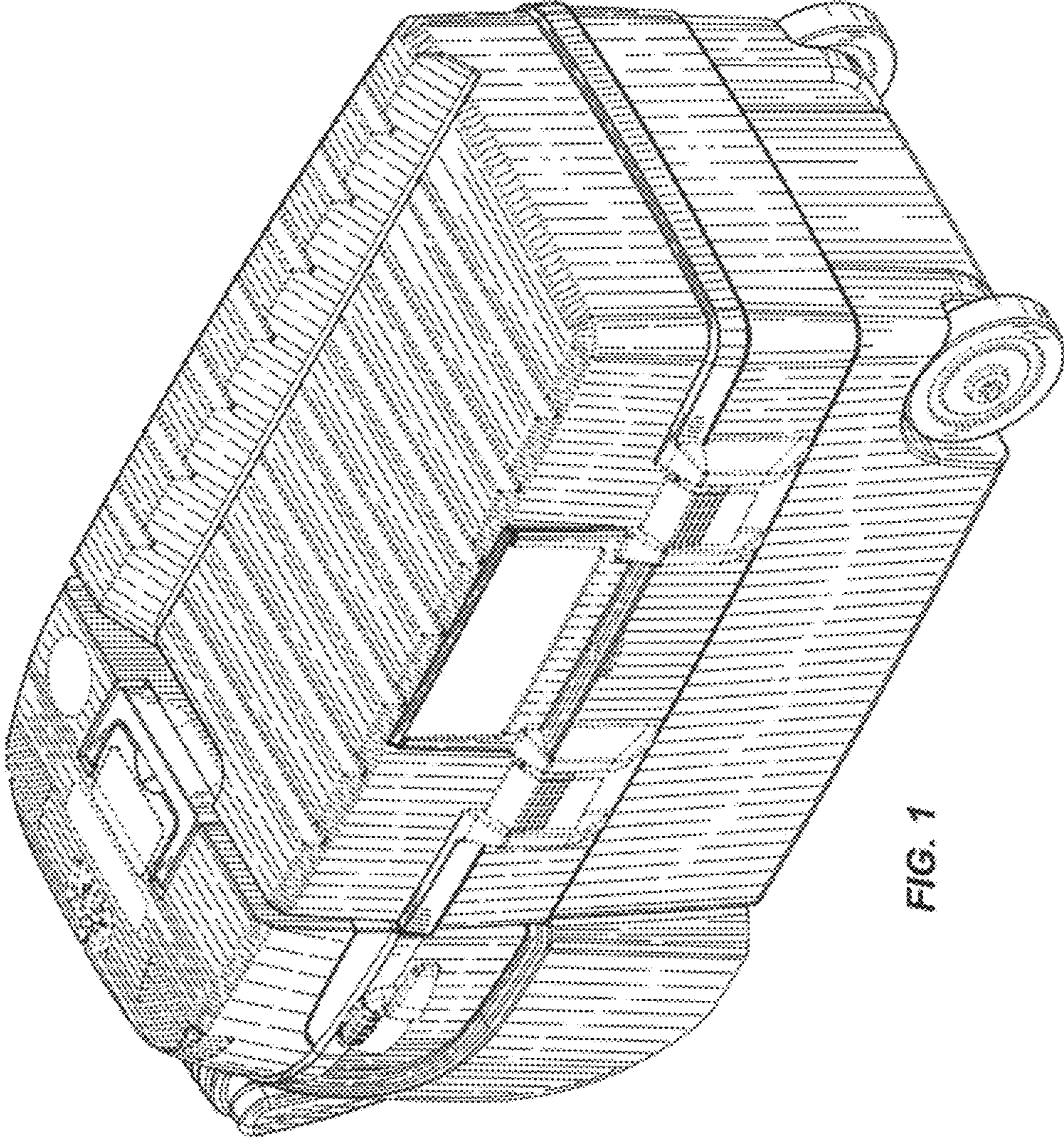


FIG. 1

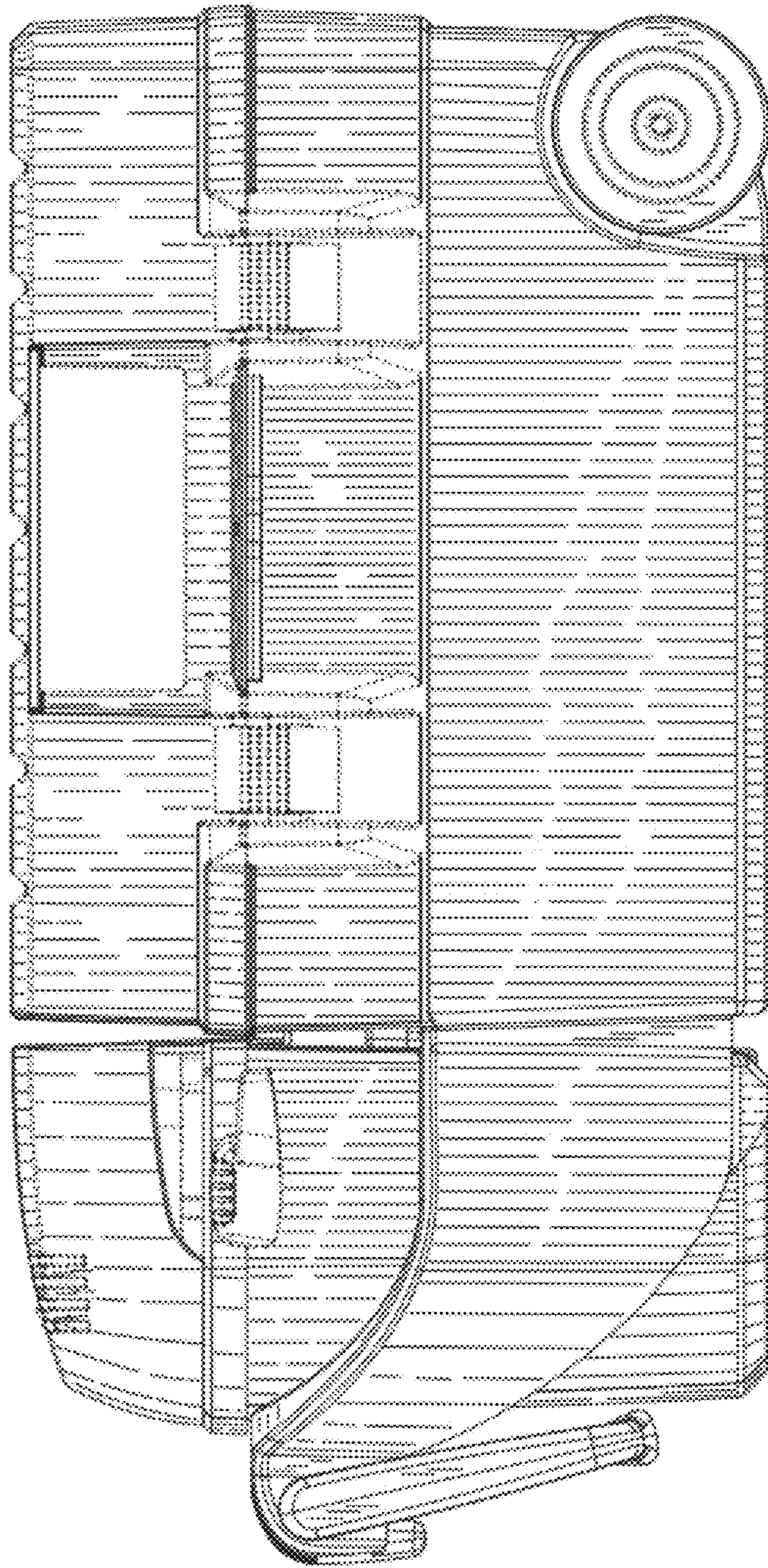


FIG. 2

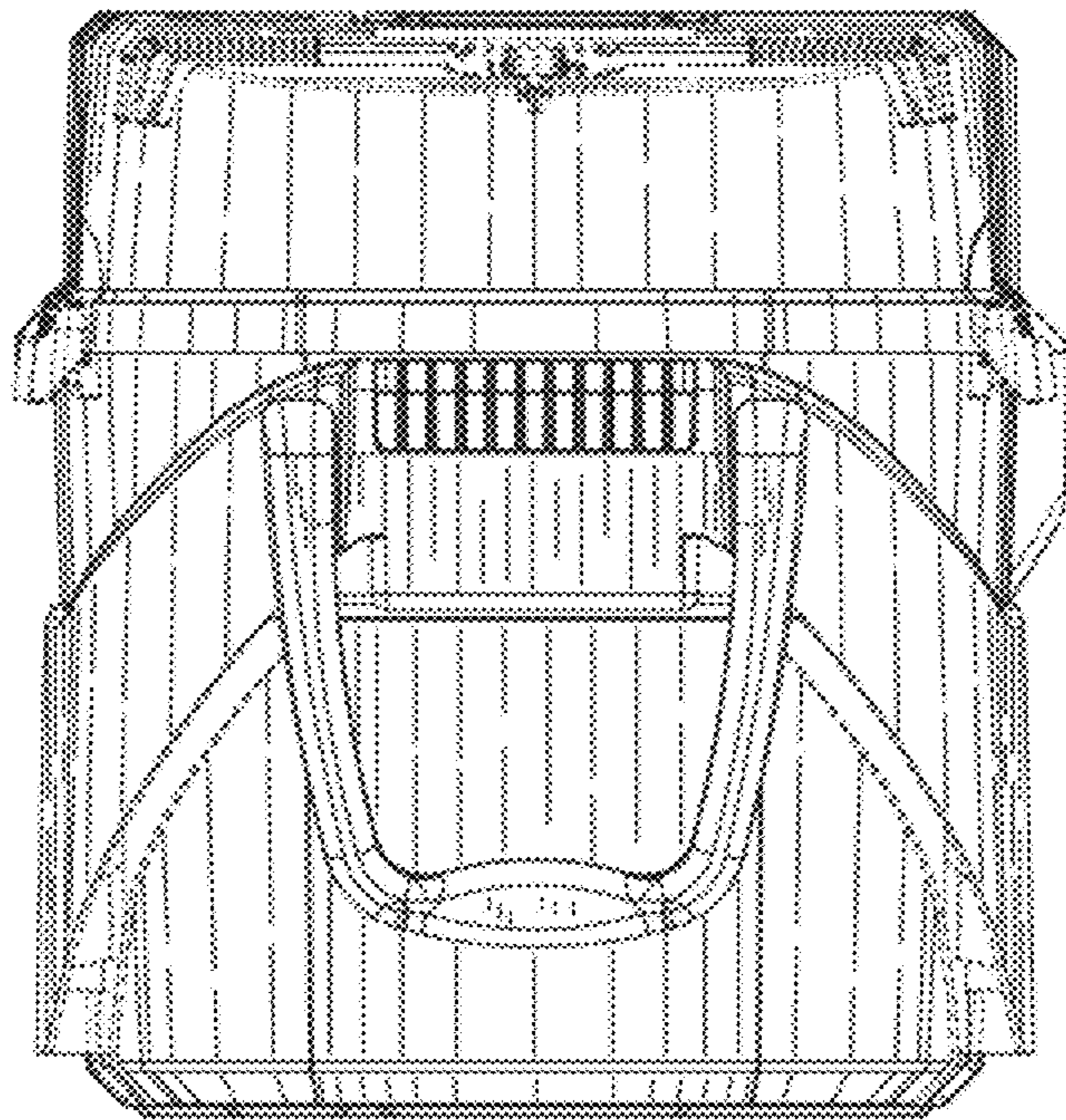


FIG. 3

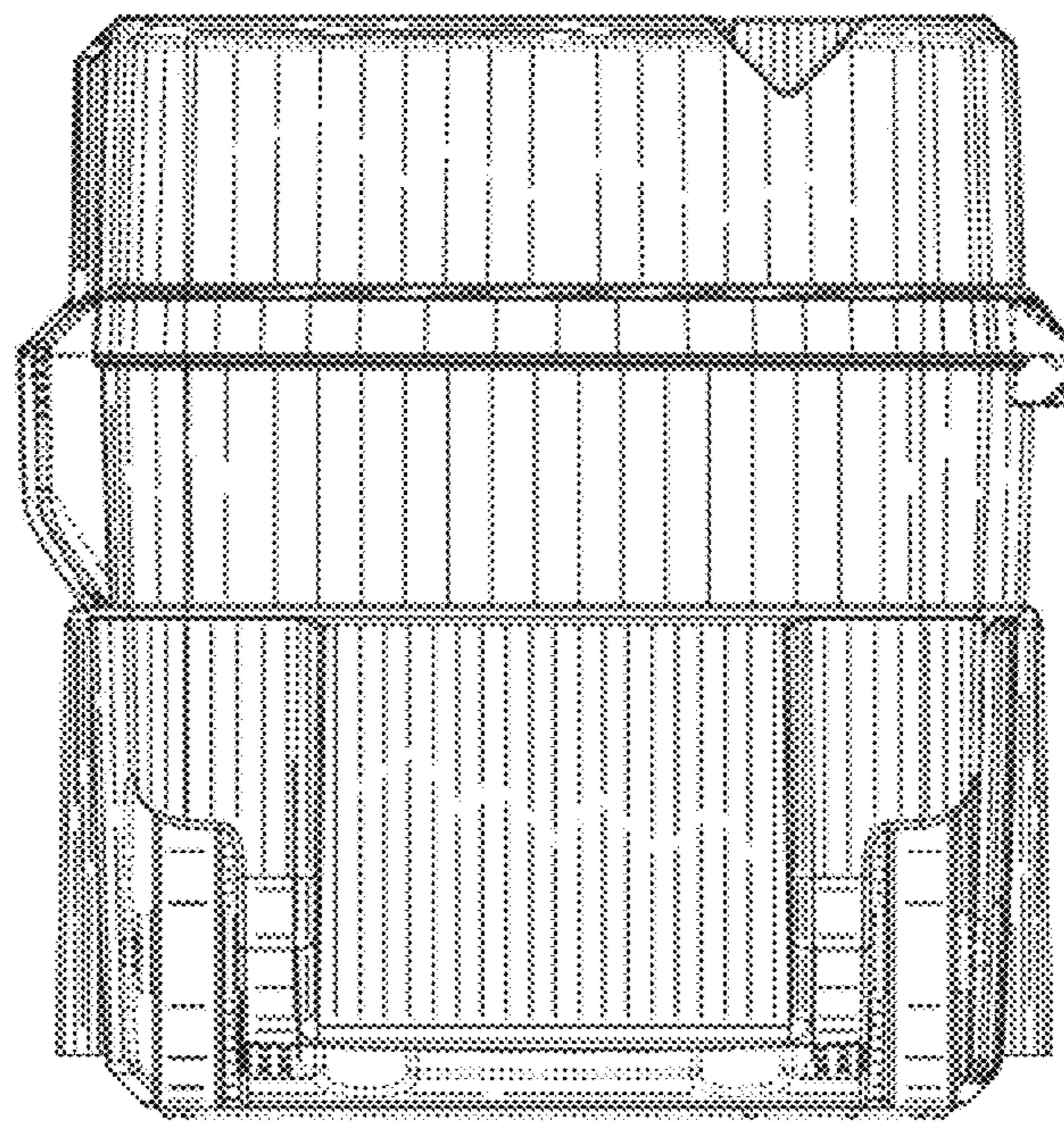


FIG. 4

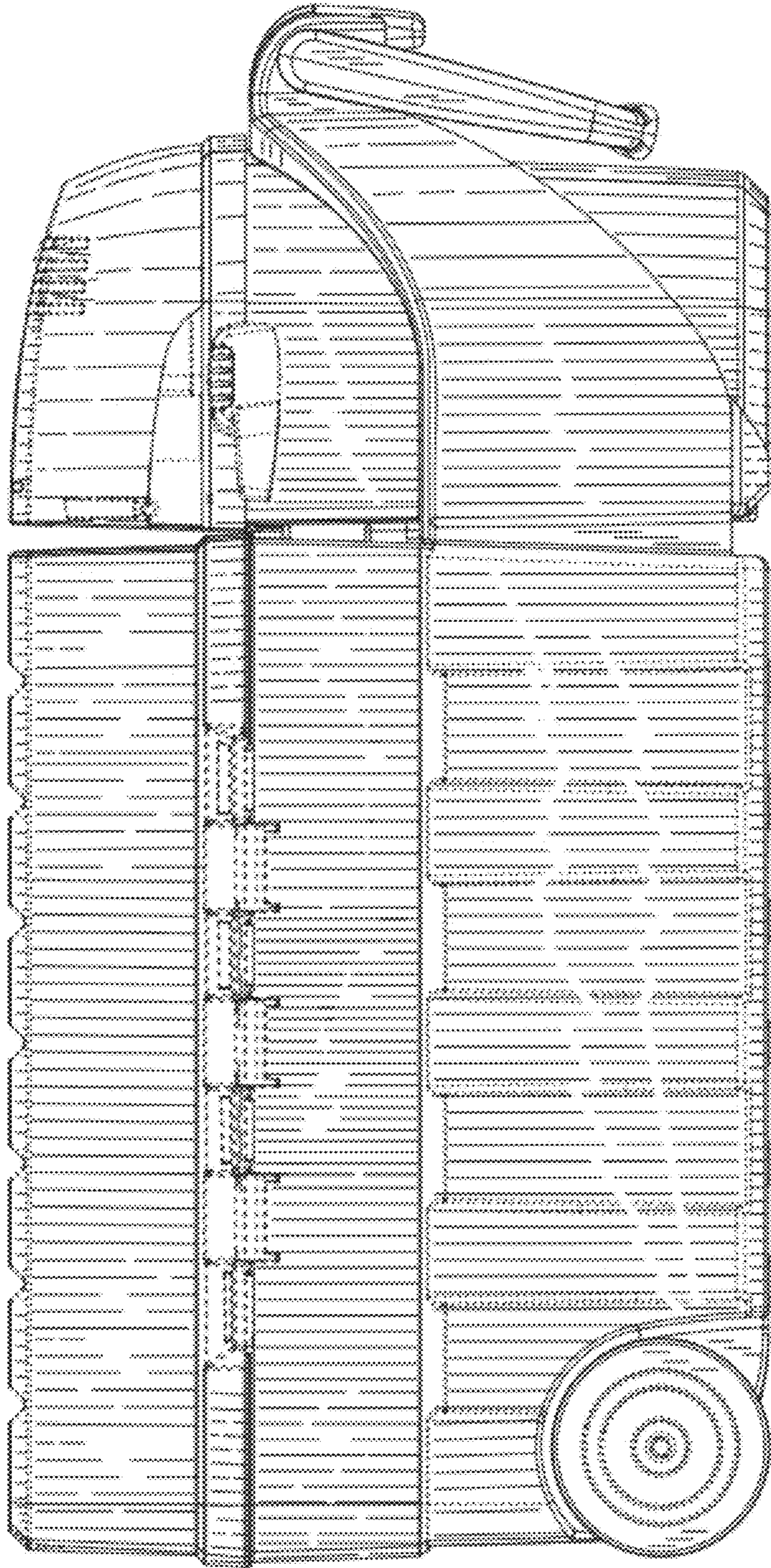


FIG. 5

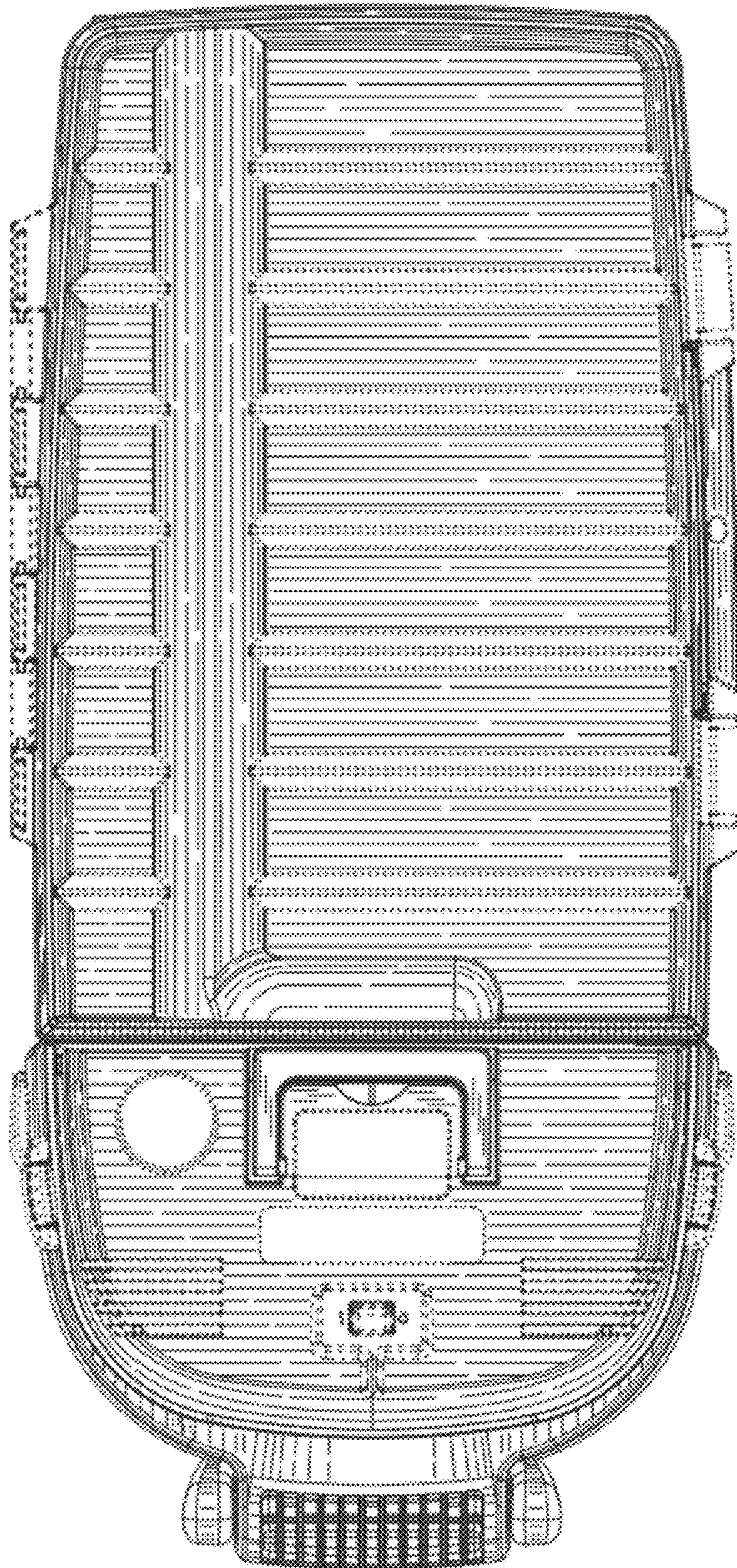


FIG. 6

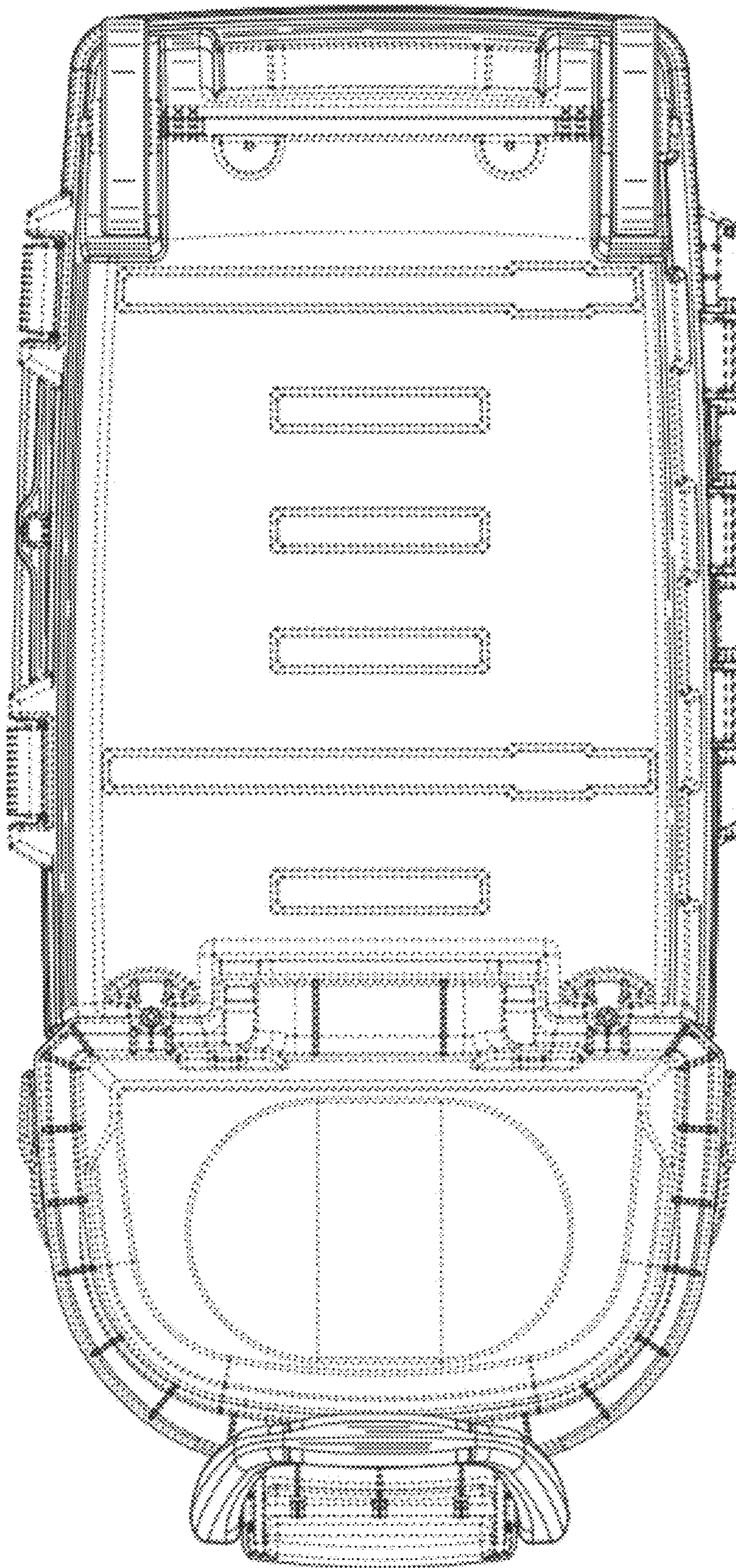


FIG. 7

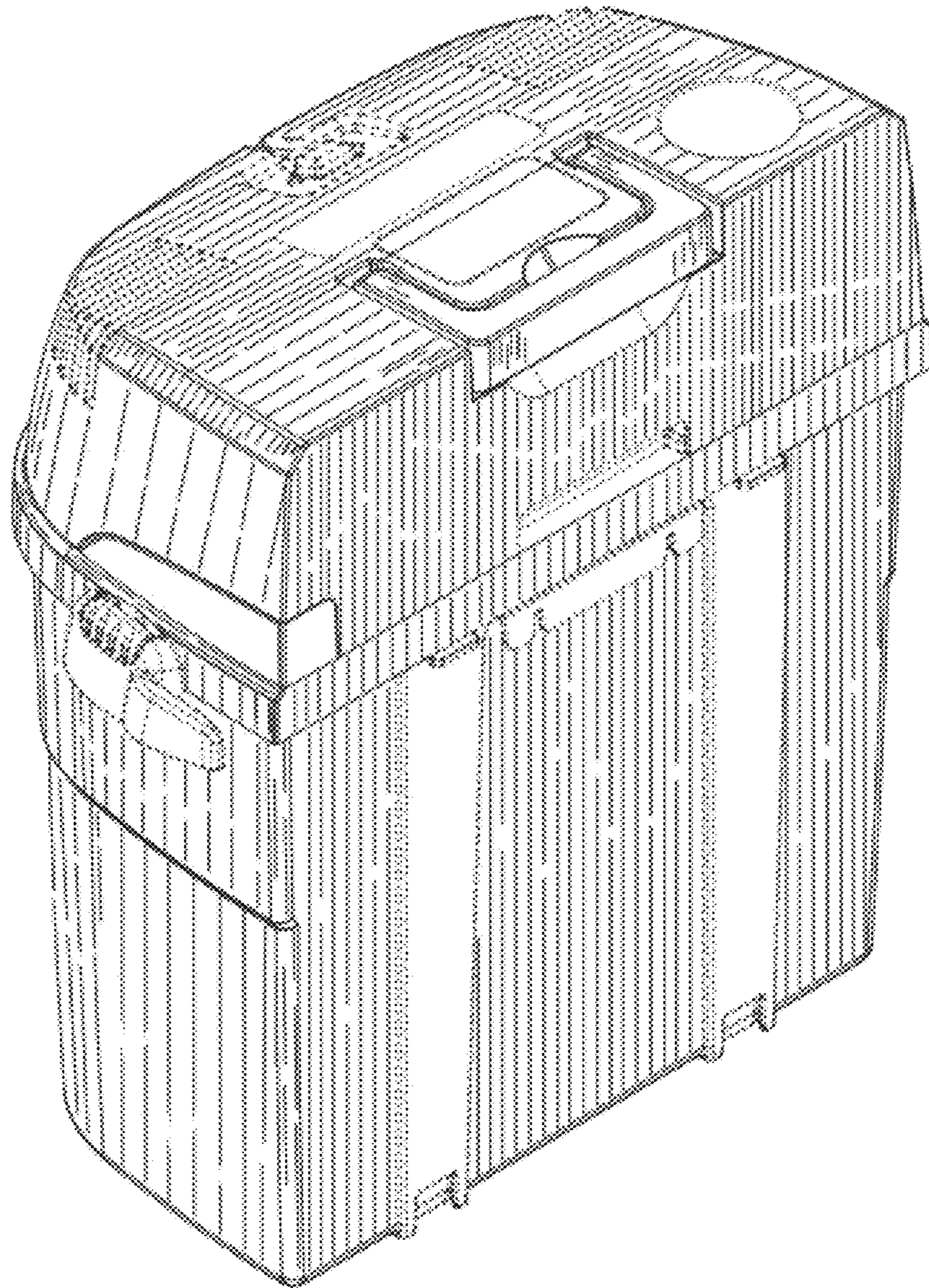


FIG. 8

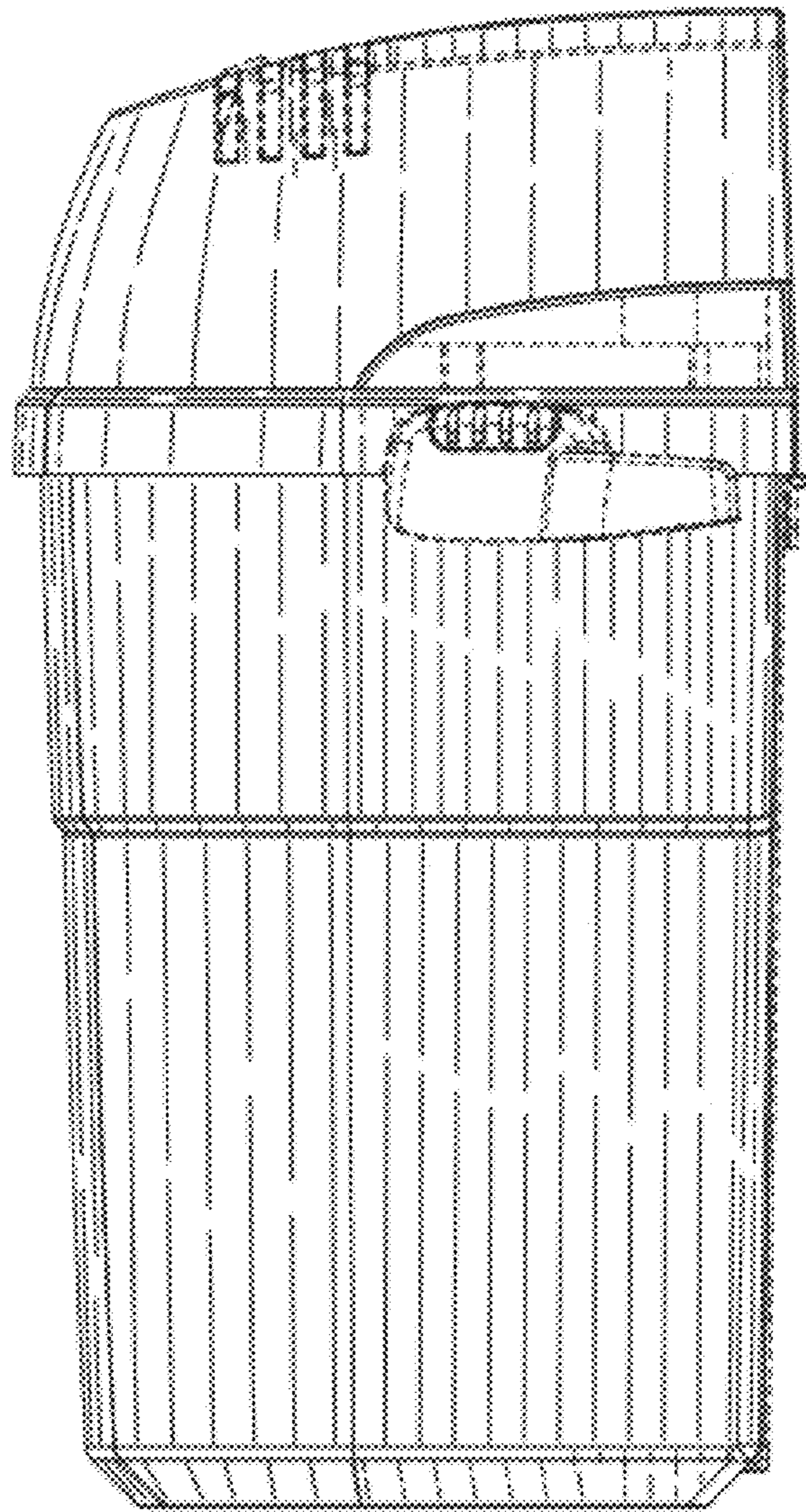


FIG. 9

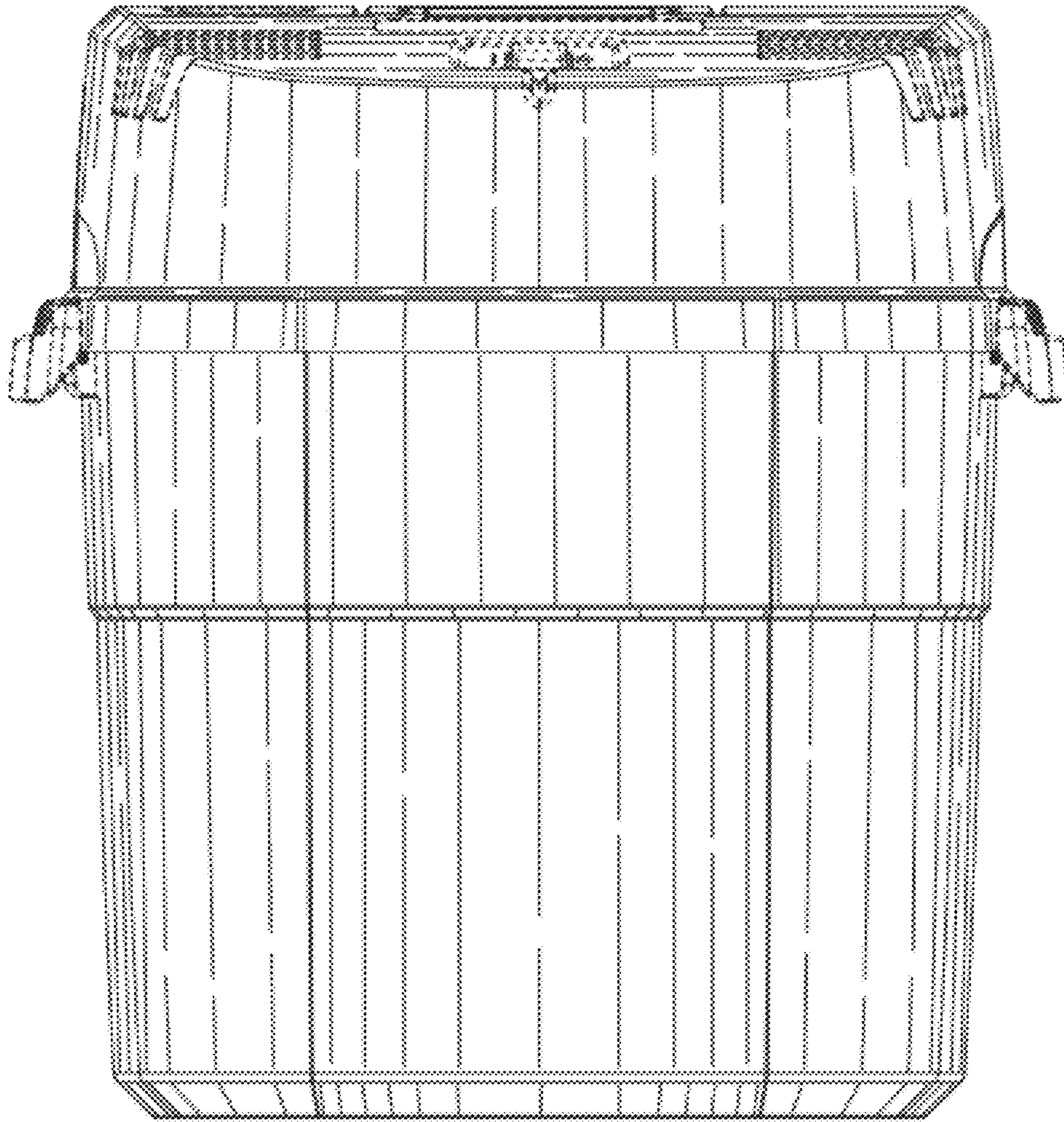


FIG. 10

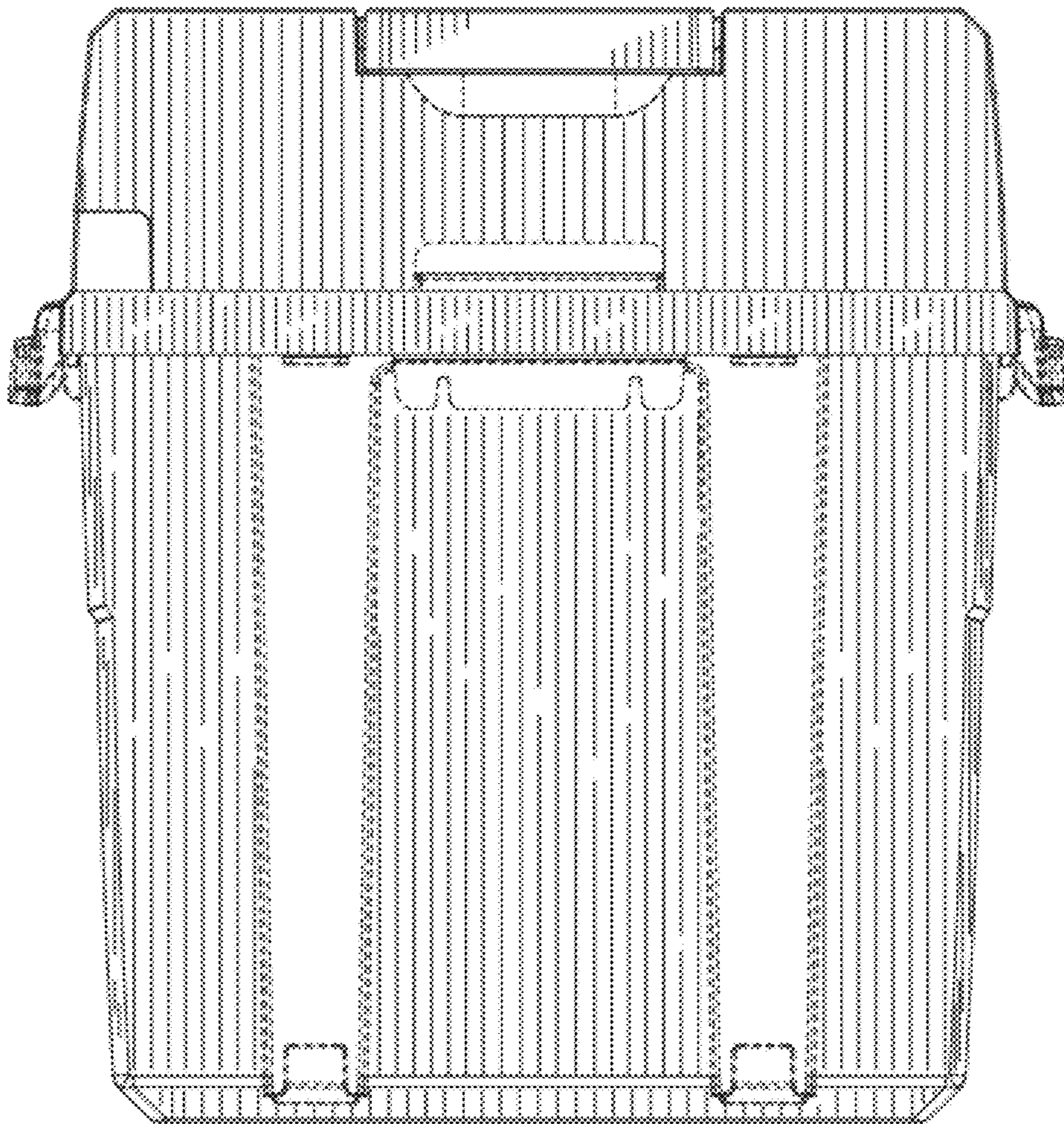


FIG. 11

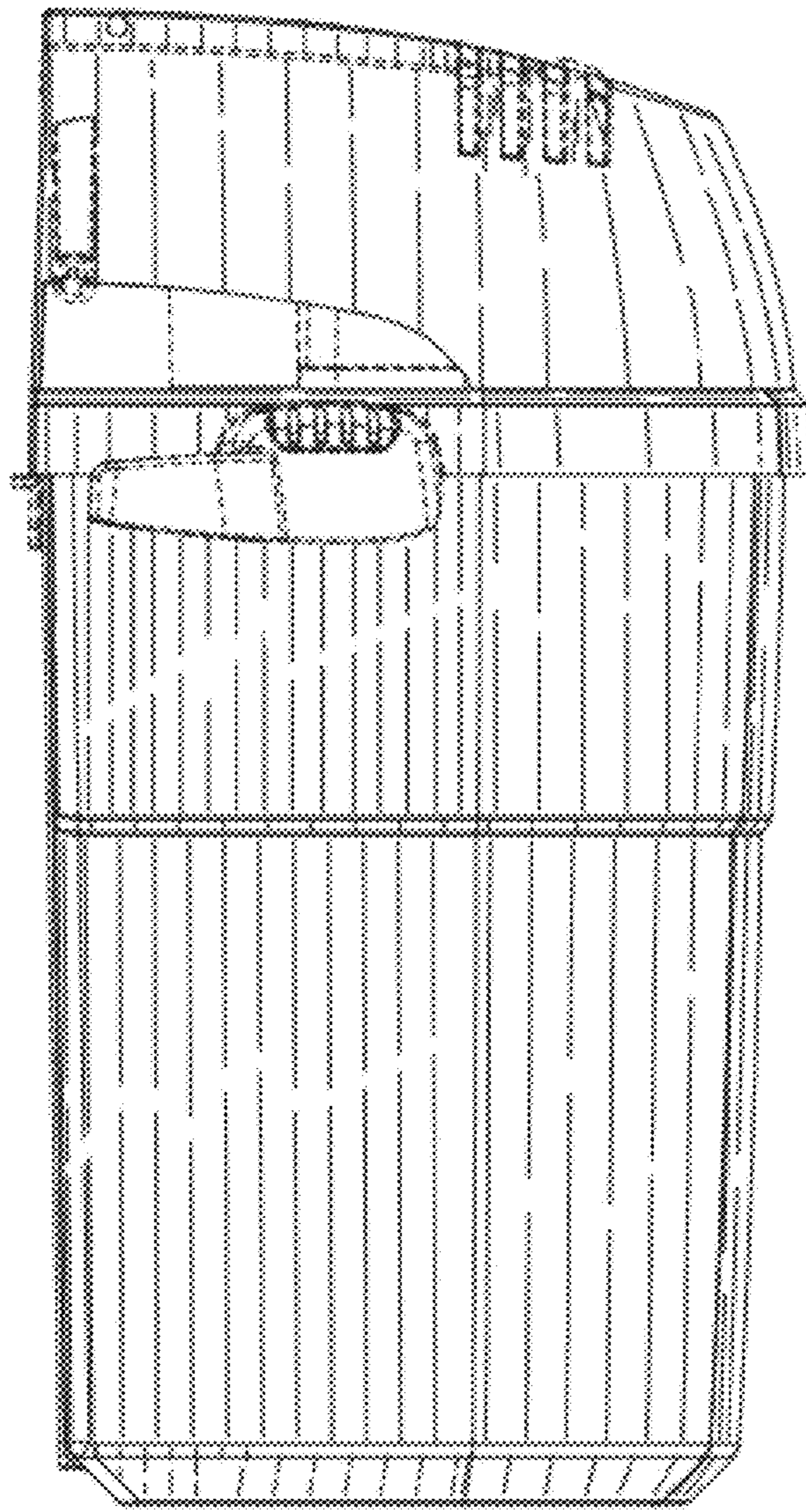


FIG. 12

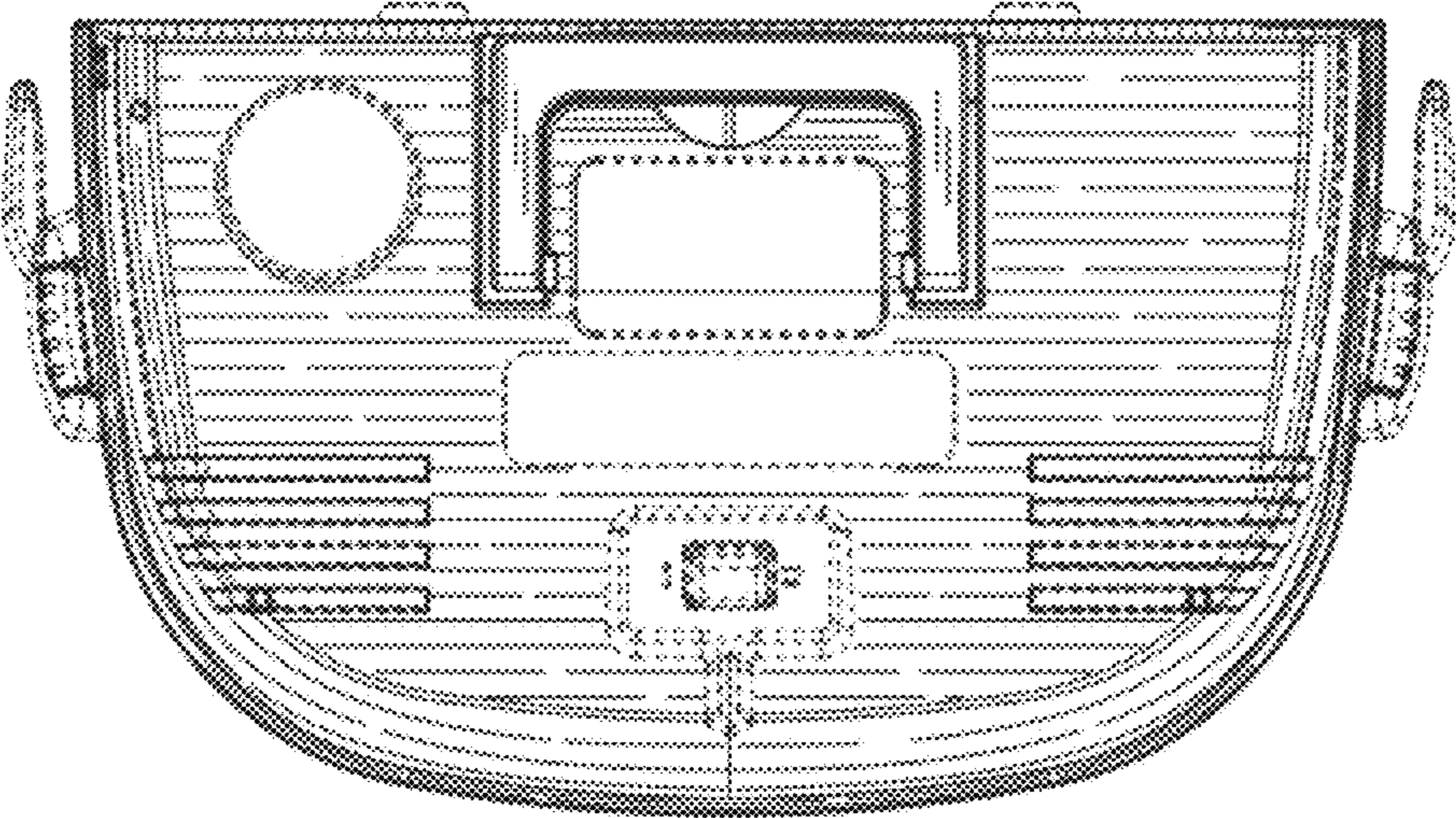


FIG. 13

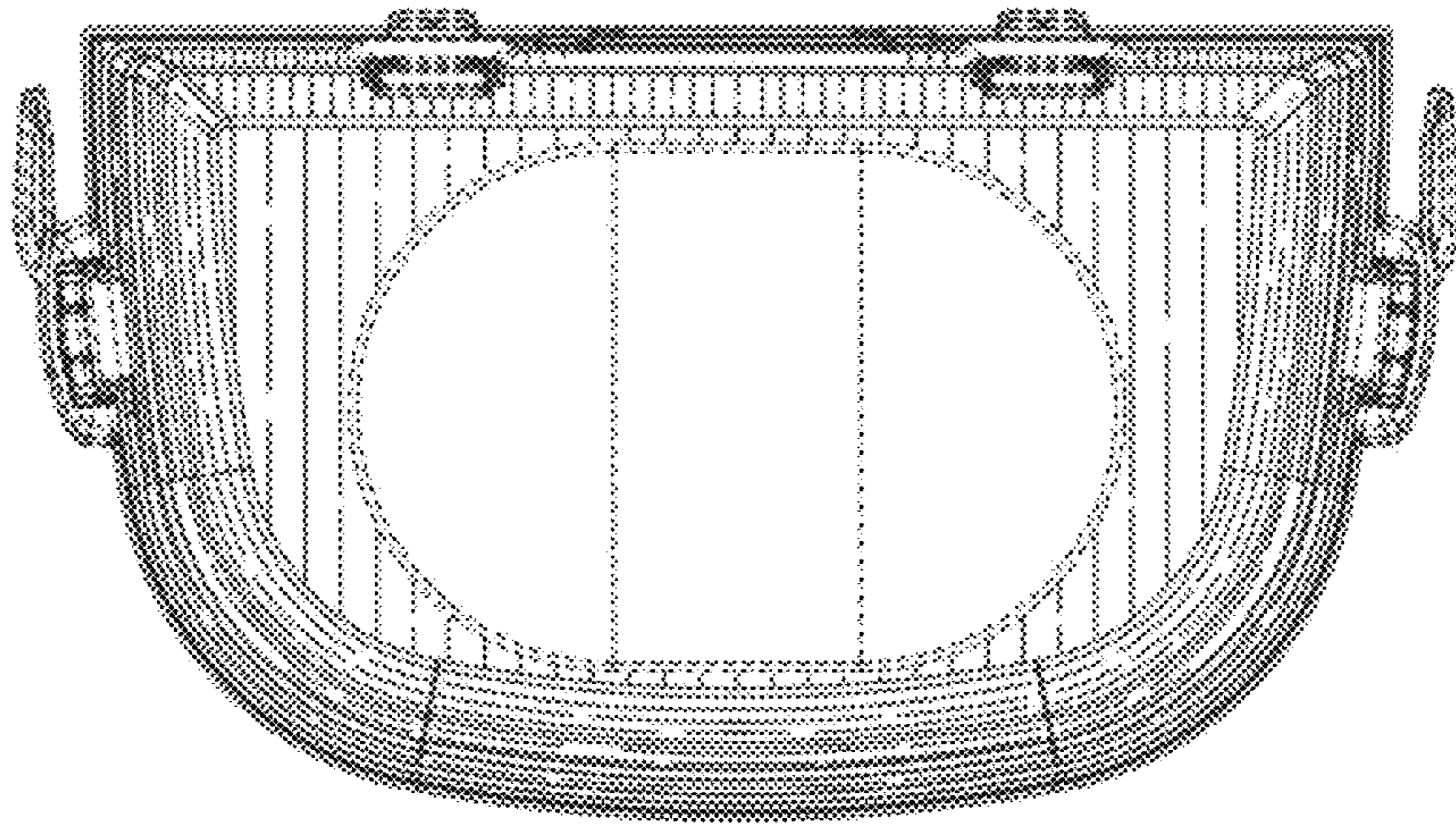


FIG. 14

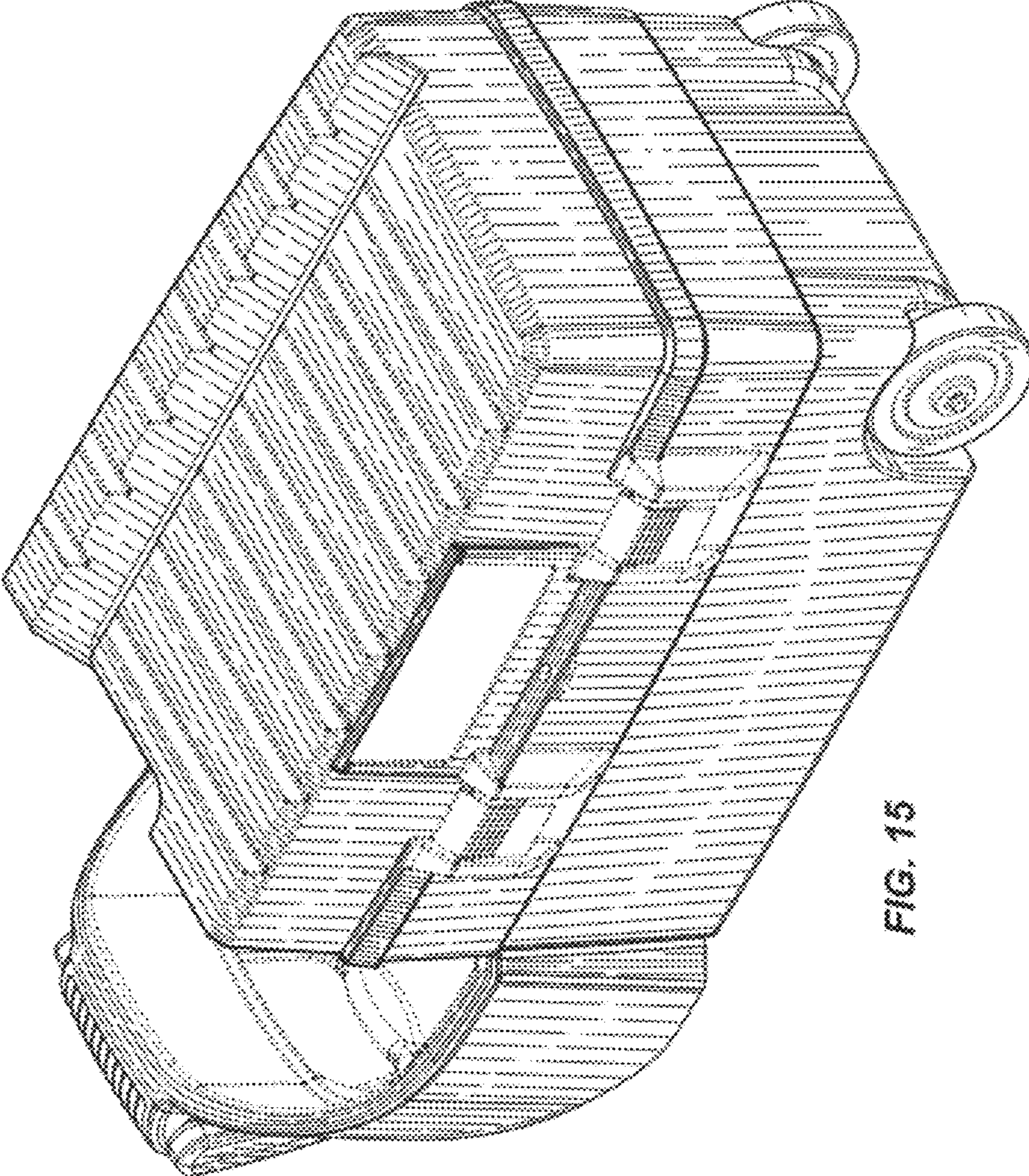


FIG. 15

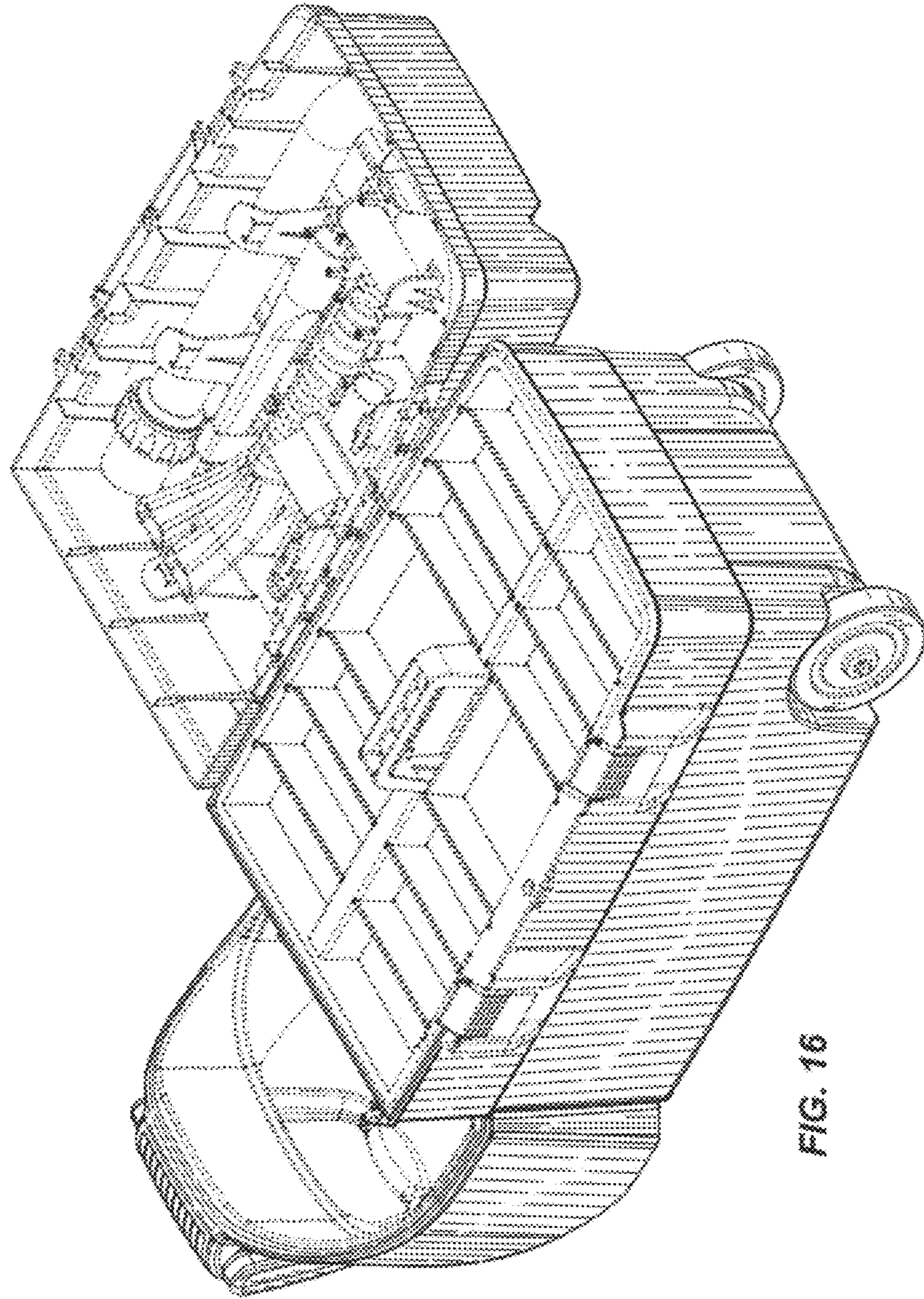


FIG. 16

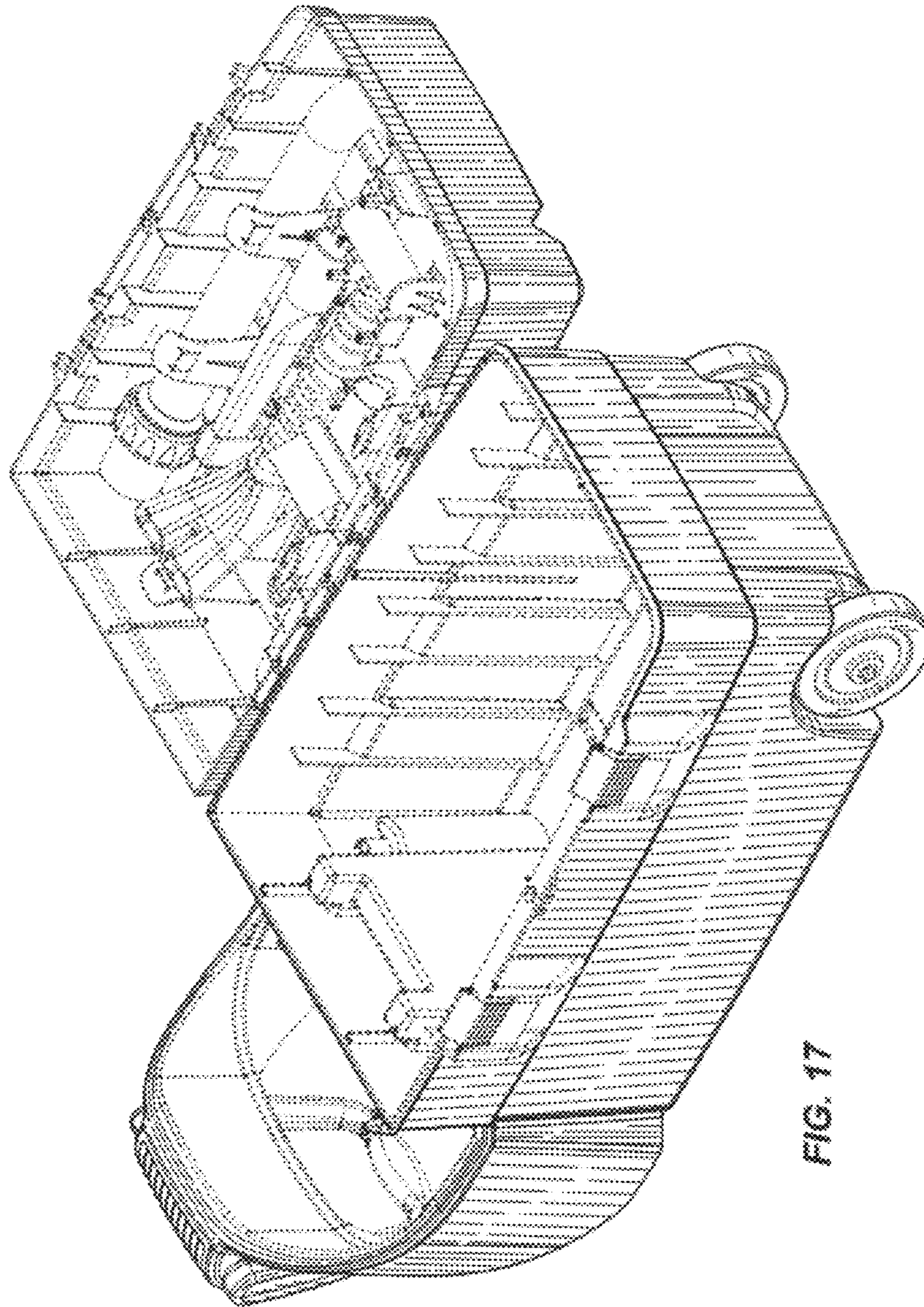


FIG. 17

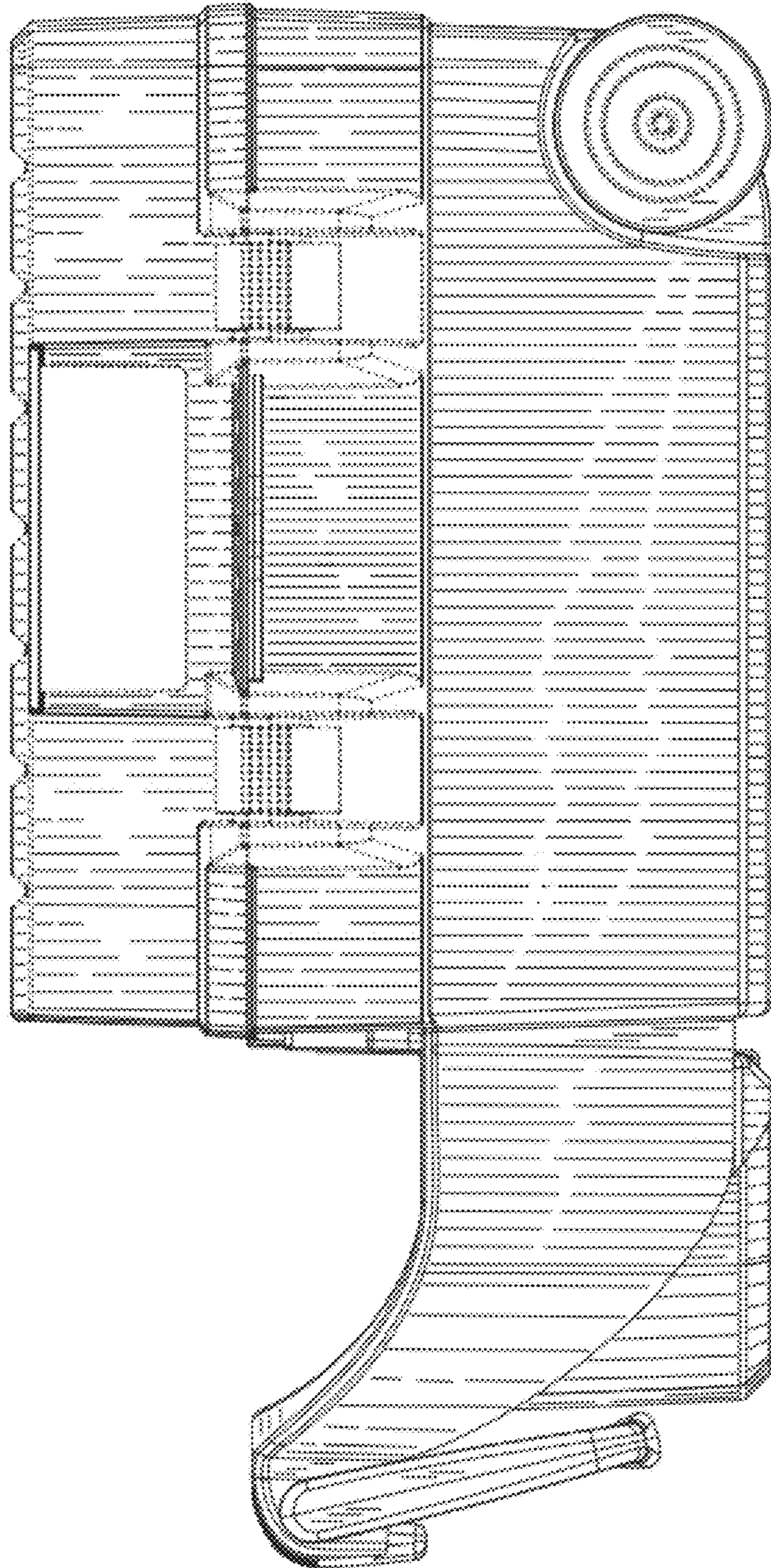


FIG. 18

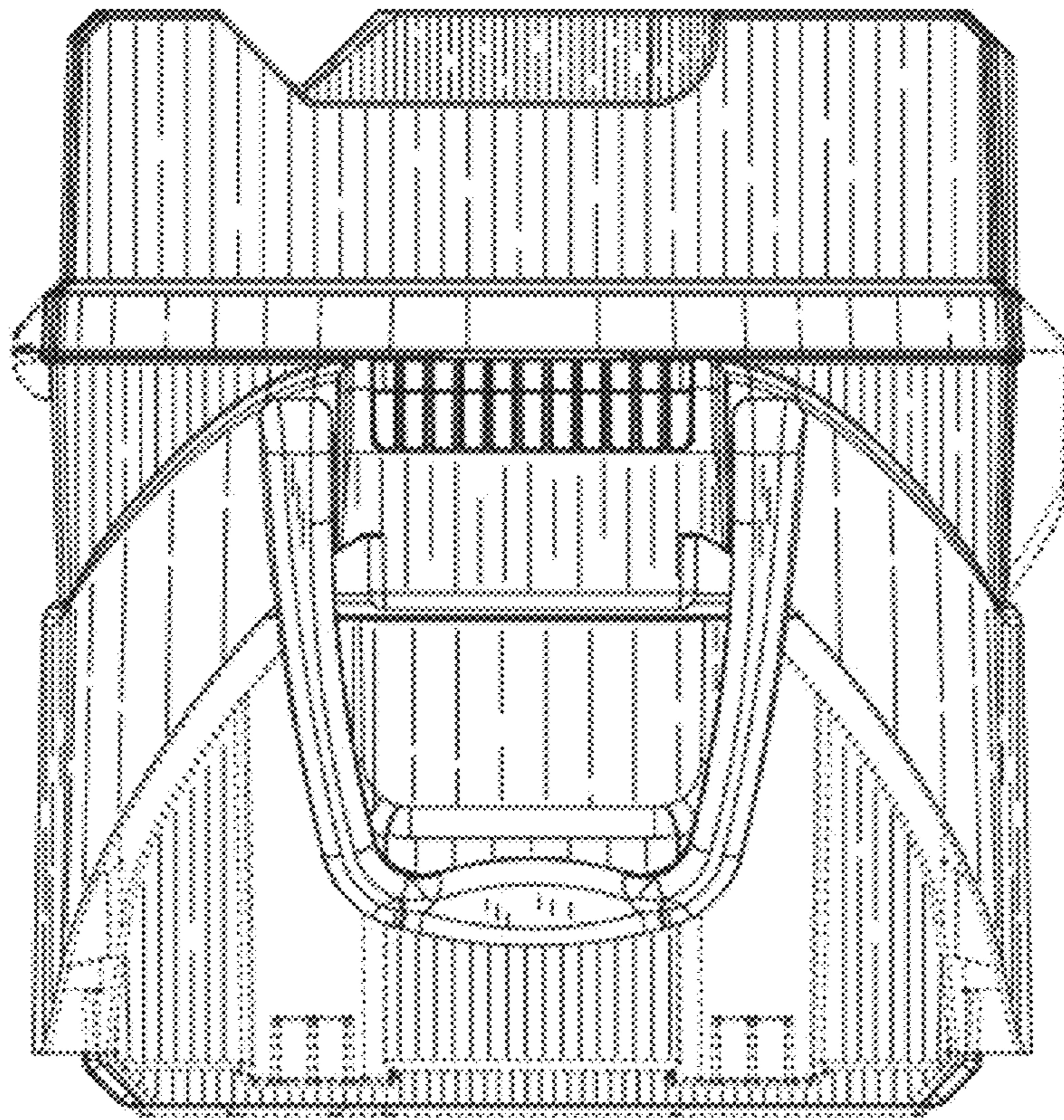


FIG. 19

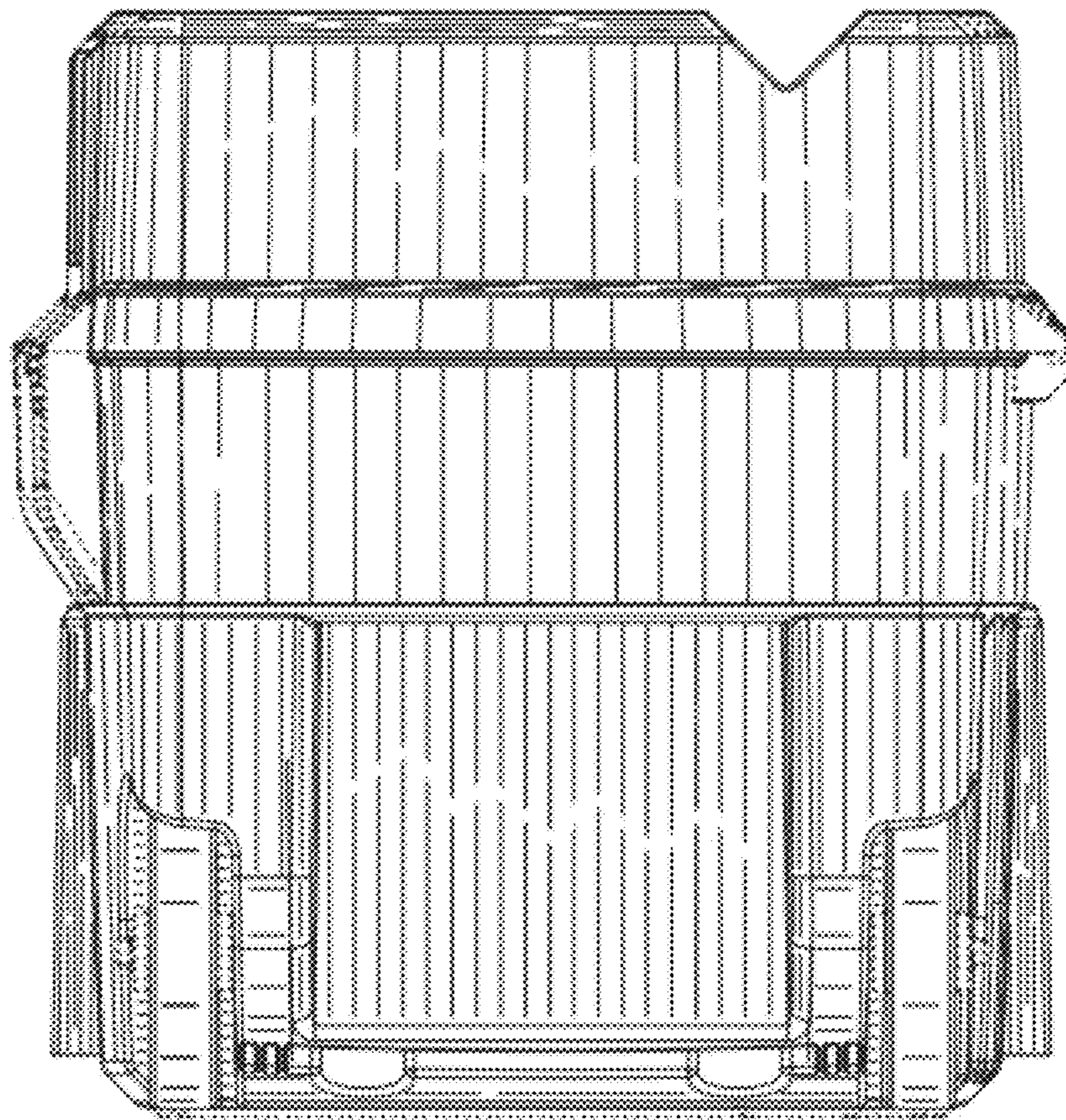


FIG. 20

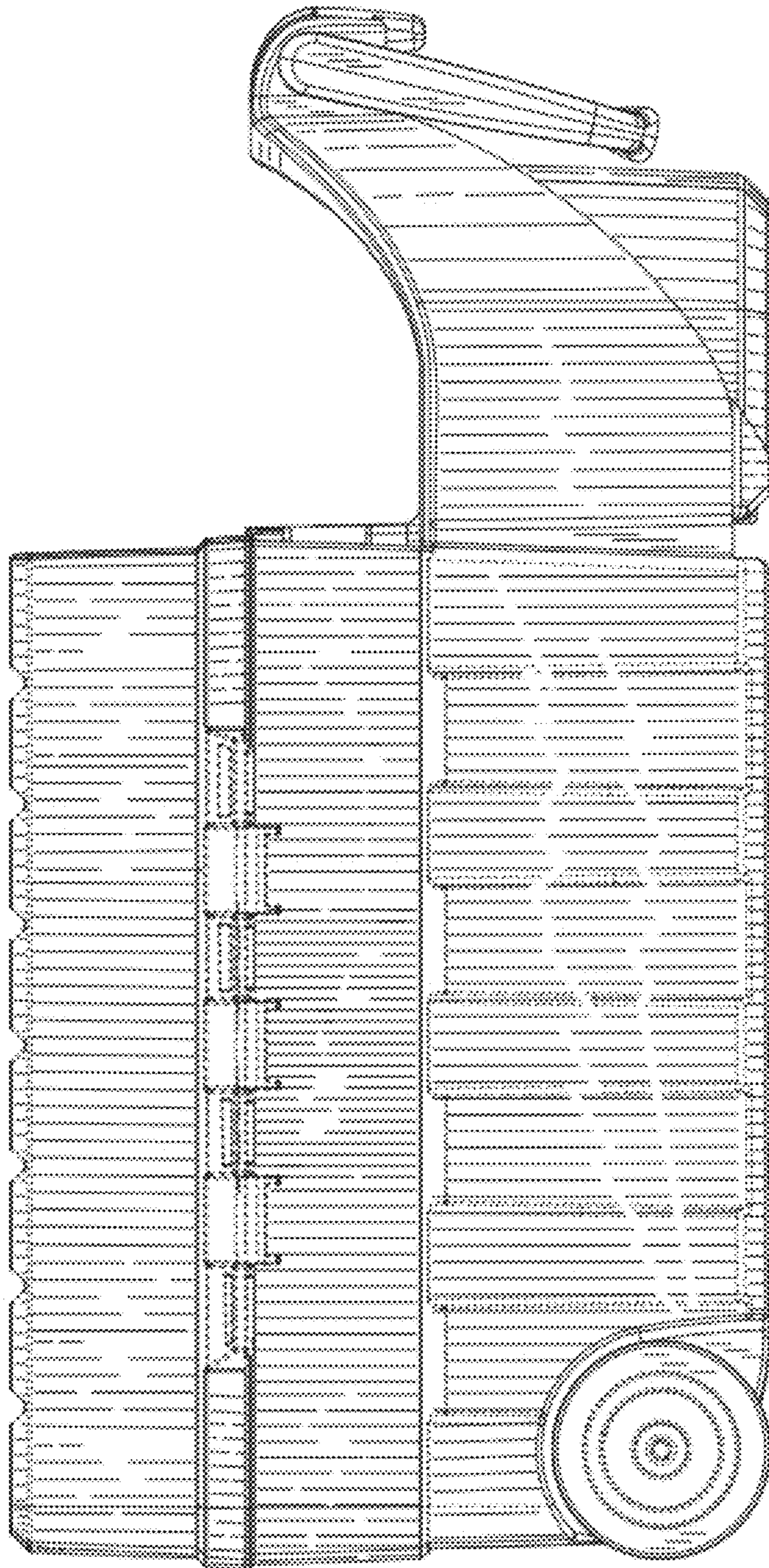


FIG. 21

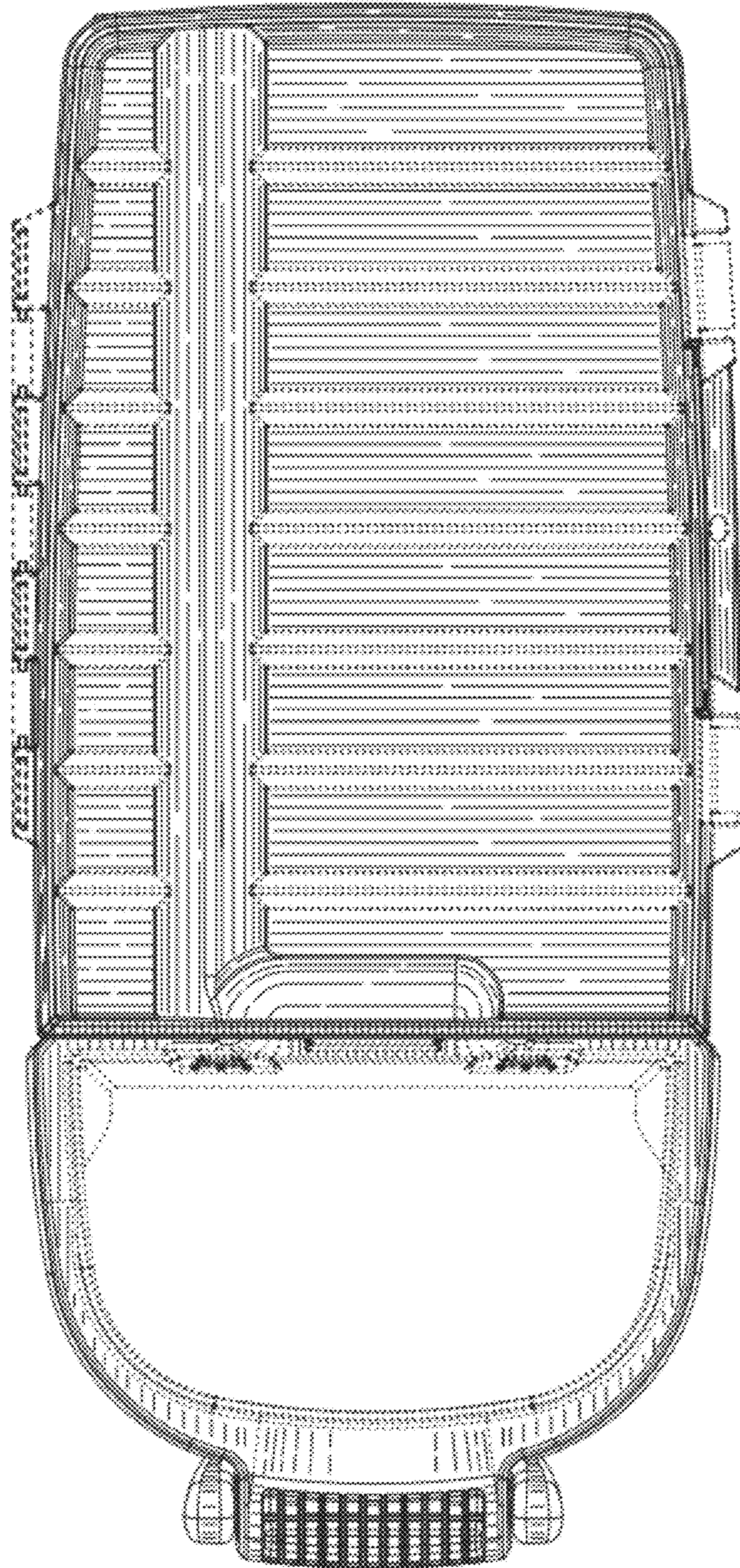


FIG. 22

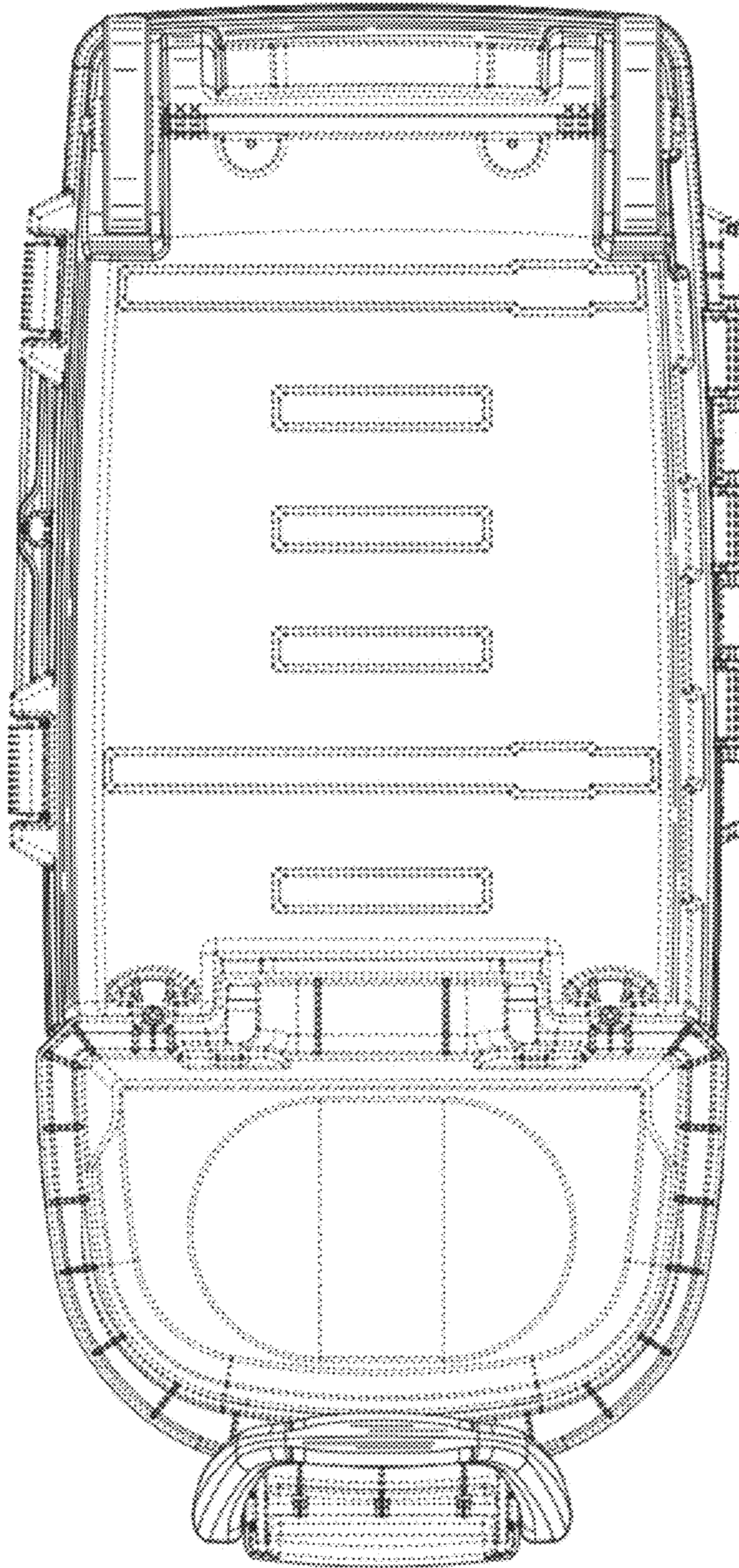


FIG. 23