



US00D663951S

(12) **United States Design Patent**
Flores

(10) **Patent No.:** **US D663,951 S**

(45) **Date of Patent:** **** Jul. 24, 2012**

(54) **WALLET**

(76) Inventor: **Yvonne Flores**, Boynton Beach, FL
(US)

(**) Term: **14 Years**

(21) Appl. No.: **29/392,891**

(22) Filed: **May 27, 2011**

(51) **LOC (9) Cl.** **03-01**

(52) **U.S. Cl.** **D3/247**

(58) **Field of Classification Search** D3/247,
D3/249, 251, 253, 226, 303; 150/147, 144,
150/149, 131-143, 103-104, 106-110, 113-114,
150/119; 383/4, 38

See application file for complete search history.

(56) **References Cited**

U.S. PATENT DOCUMENTS

3,874,435	A *	4/1975	Allen	383/29
D263,897	S *	4/1982	Thornton	D3/243
5,178,198	A *	1/1993	Fitzgerald	150/107
D425,699	S *	5/2000	Lau	D3/226
D429,562	S *	8/2000	Lau	D3/226
D456,989	S *	5/2002	Carothers et al.	D3/226
D471,014	S *	3/2003	Shapiro	D3/303
D525,024	S *	7/2006	Fridie et al.	D3/201
D529,283	S *	10/2006	Vivar et al.	D3/247
D576,403	S *	9/2008	Leslie et al.	D3/201
7,814,949	B2 *	10/2010	Surface et al.	150/110
D648,936	S *	11/2011	Washington	D3/247

* cited by examiner

Primary Examiner — Sheryl Lane

(74) *Attorney, Agent, or Firm* — Sinorica, LLC

(57) **CLAIM**

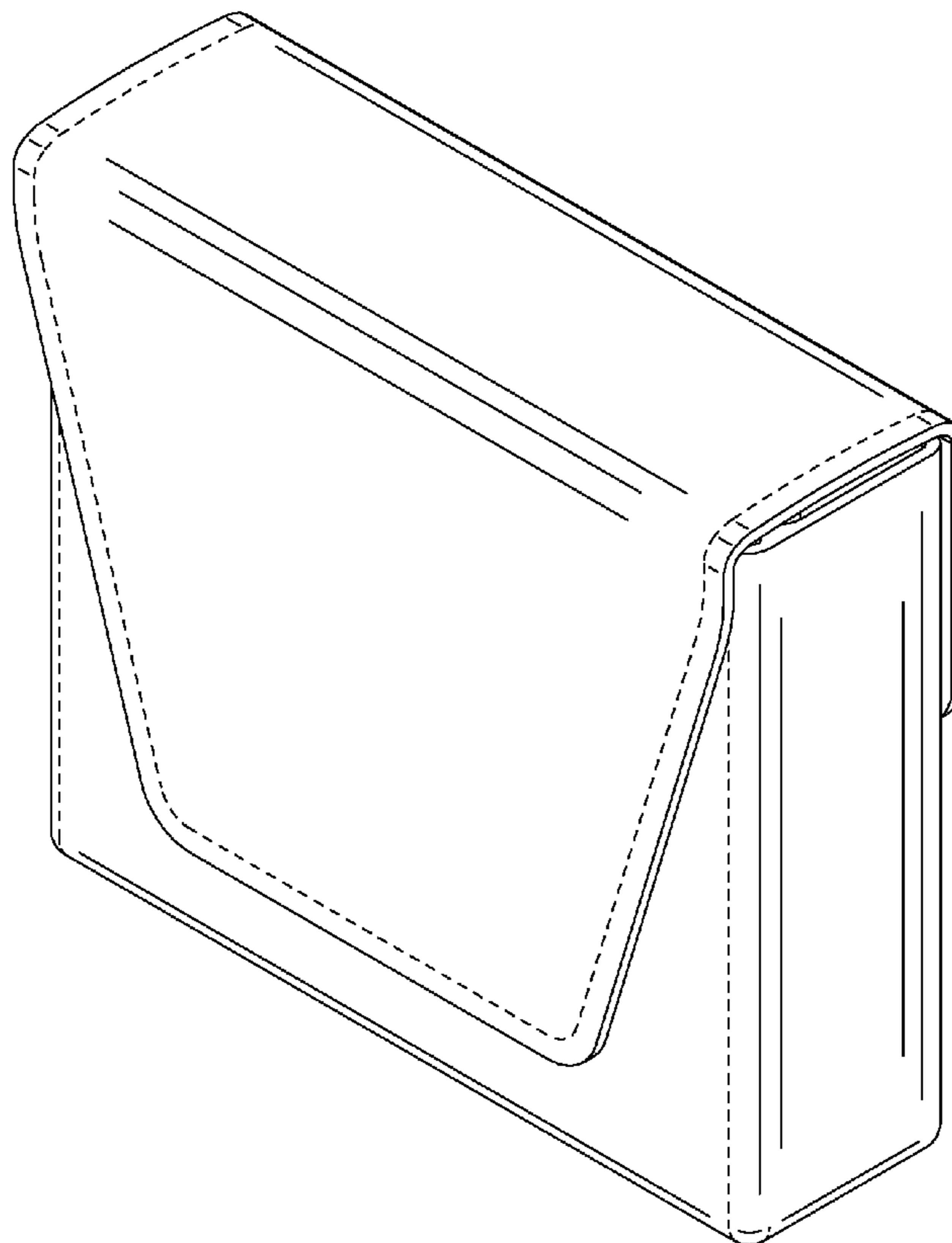
The ornamental design for a wallet, as shown and described.

DESCRIPTION

FIG. 1 is a perspective view of a wallet;
 FIG. 2 is a front elevational view thereof;
 FIG. 3 is a rear elevational view thereof;
 FIG. 4 is a right-side elevational view thereof;
 FIG. 5 is a left-side elevational view thereof;
 FIG. 6 is a bottom plan view thereof;
 FIG. 7 is a top plan view thereof;
 FIG. 8 is a perspective view thereof with the flap opened;
 FIG. 9 is a front elevational view thereof with the flap opened;
 FIG. 10 is a rear elevational view thereof with the flap opened;
 FIG. 11 is a right-side elevational view thereof with the flap opened;
 FIG. 12 is a left-side elevational view thereof with the flap opened;
 FIG. 13 is a bottom plan view thereof with the flap opened;
 FIG. 14 is a top plan view thereof with the flap opened; and,
 FIG. 15 is a top plan view thereof with the flap removed to show the design inside the wallet.

The broken lines on the surface of the wallet represent stitching.

1 Claim, 11 Drawing Sheets



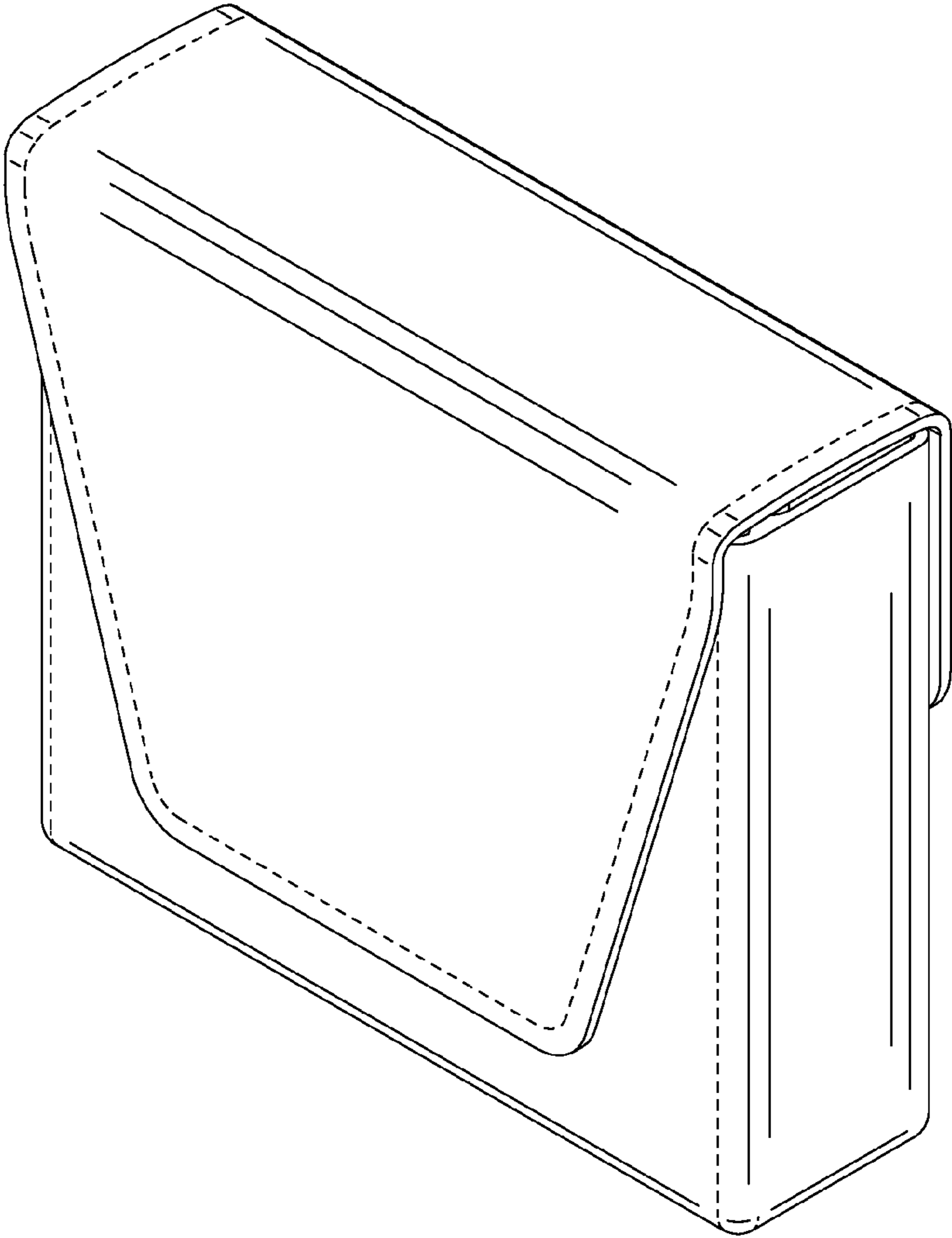


FIG. 1

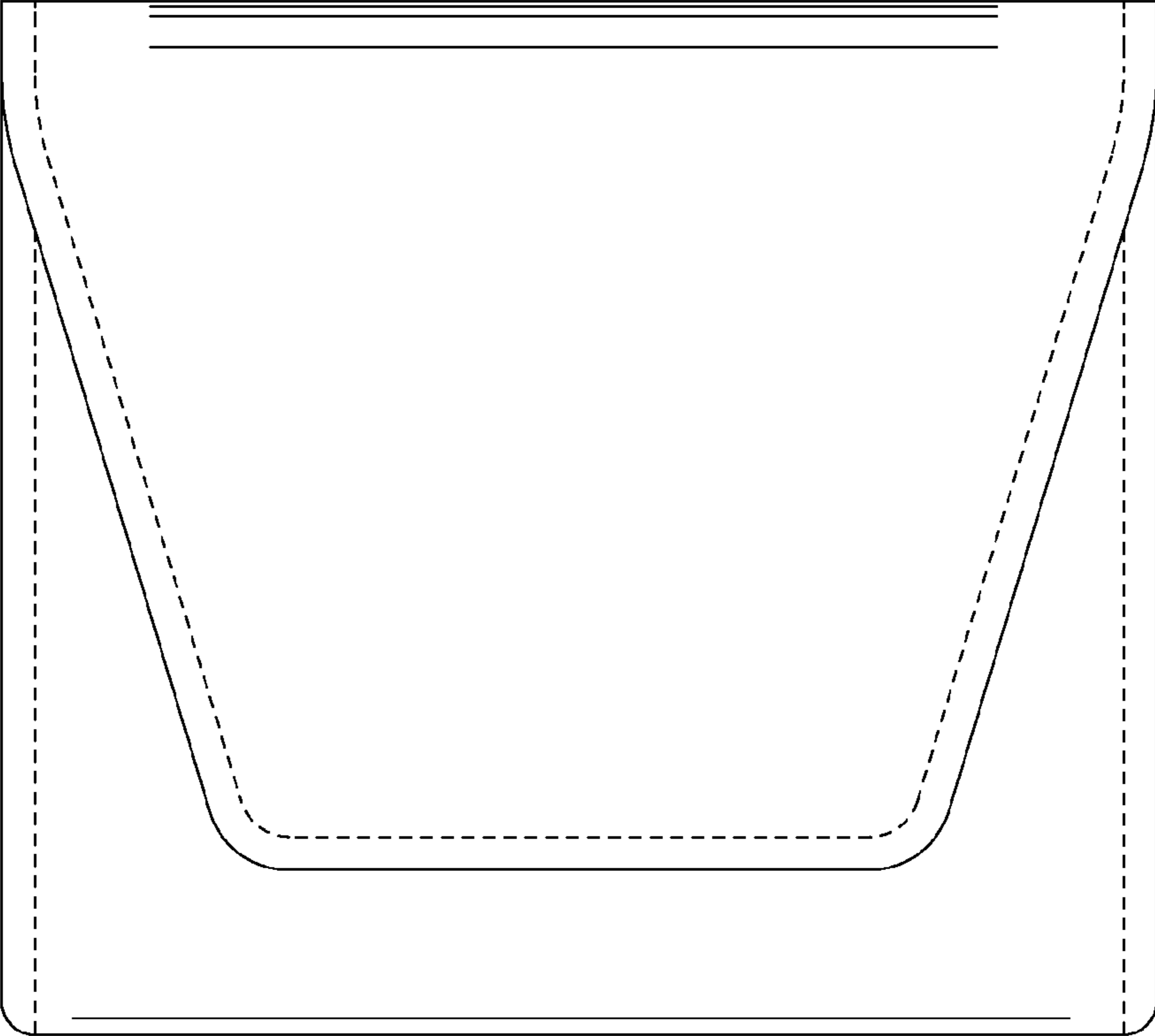


FIG. 2

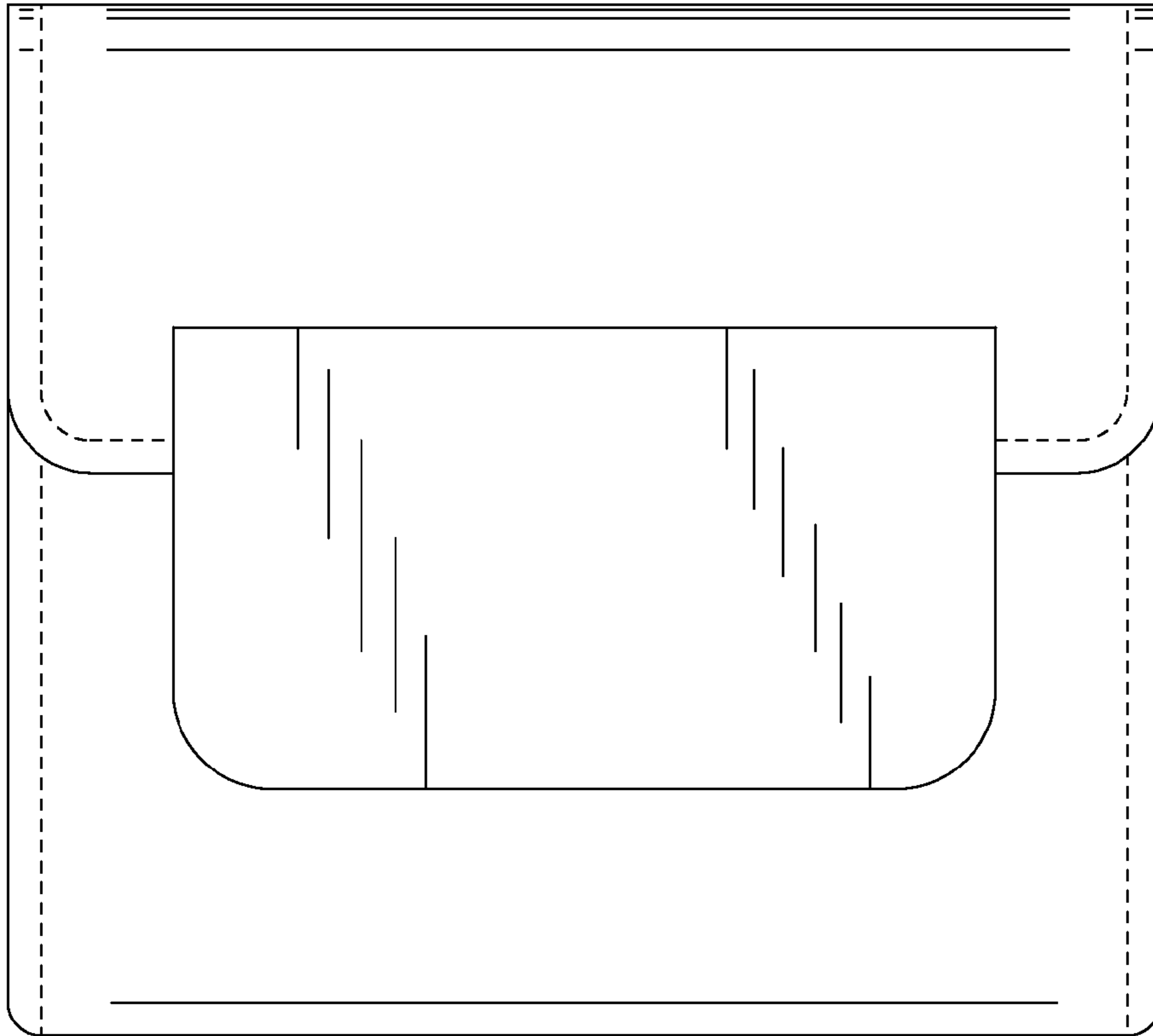


FIG. 3

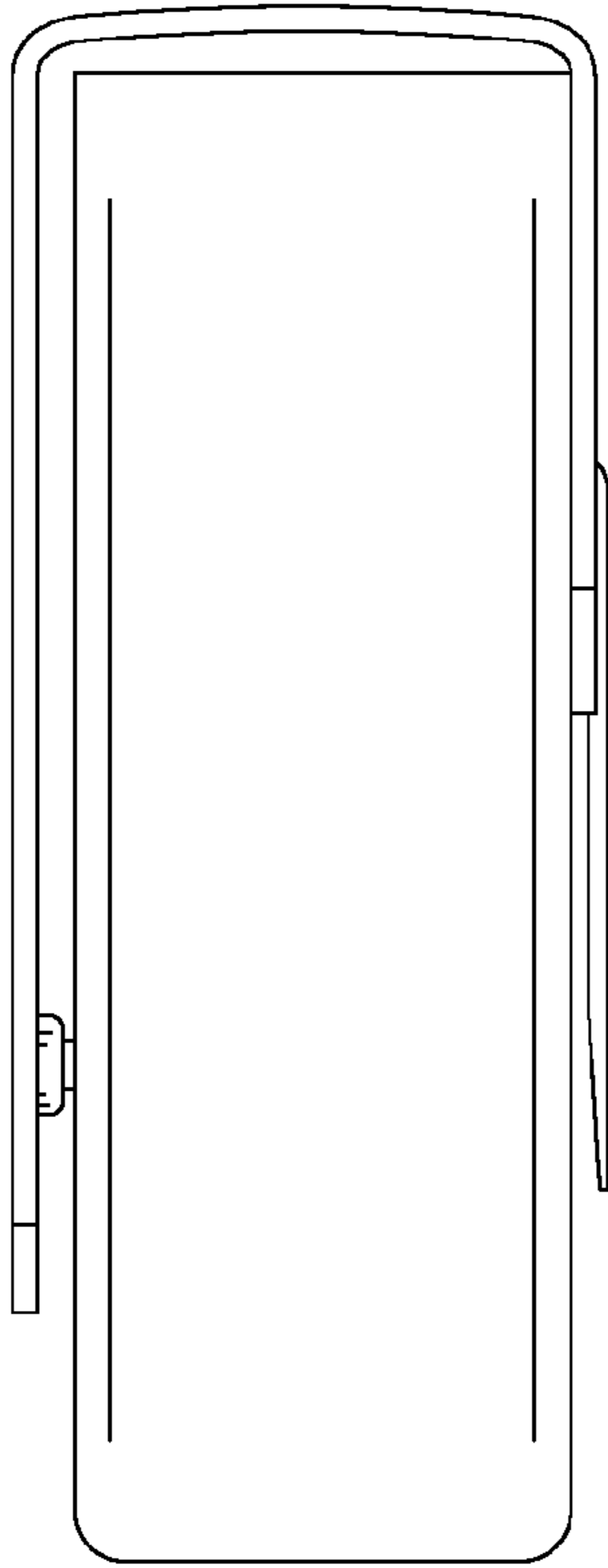


FIG. 4

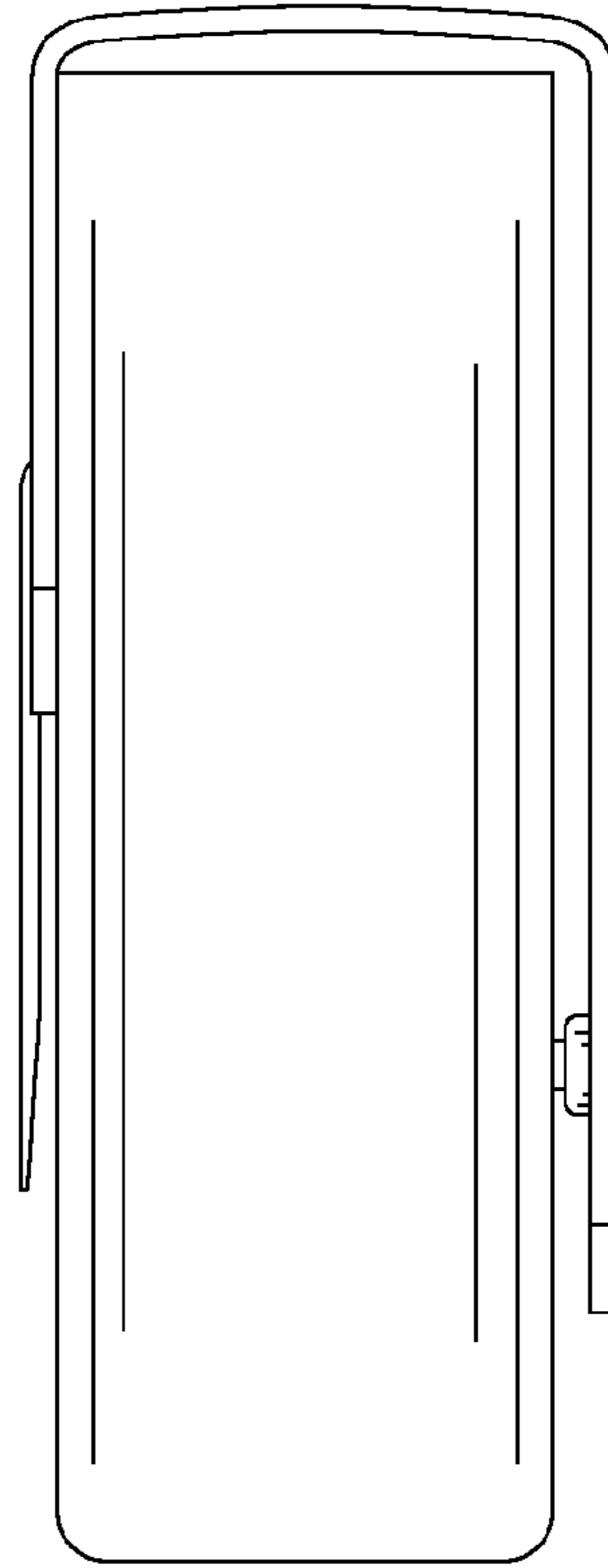


FIG. 5

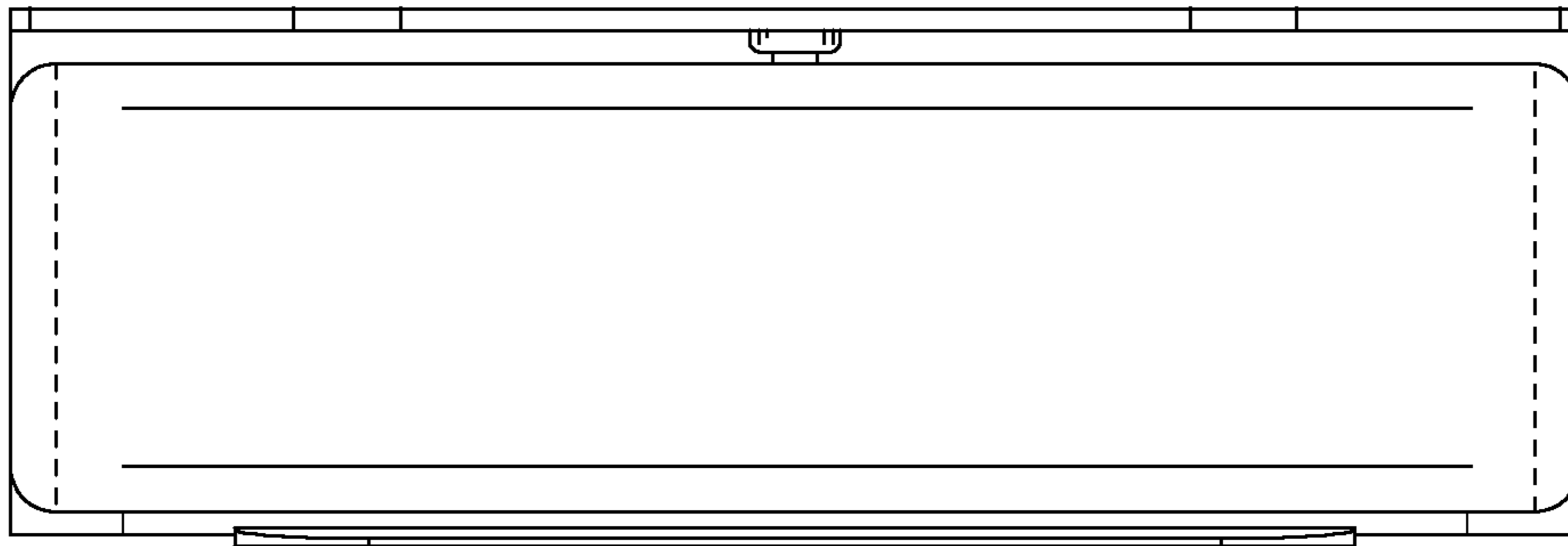


FIG. 6

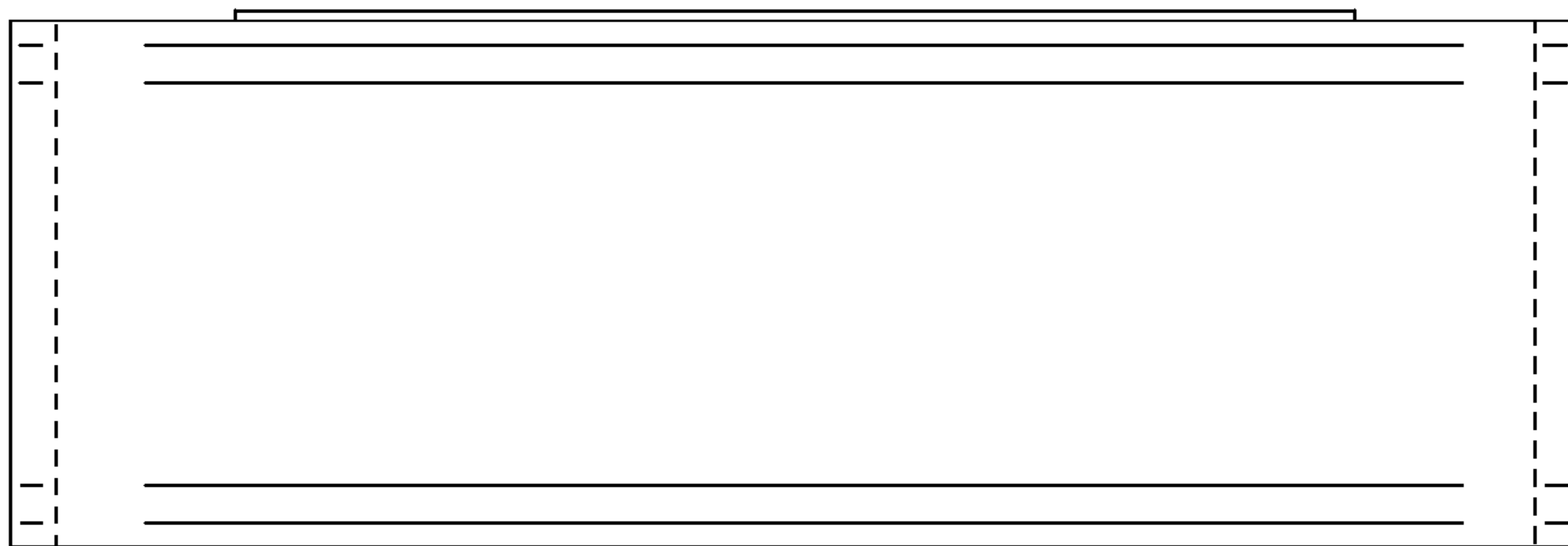


FIG. 7

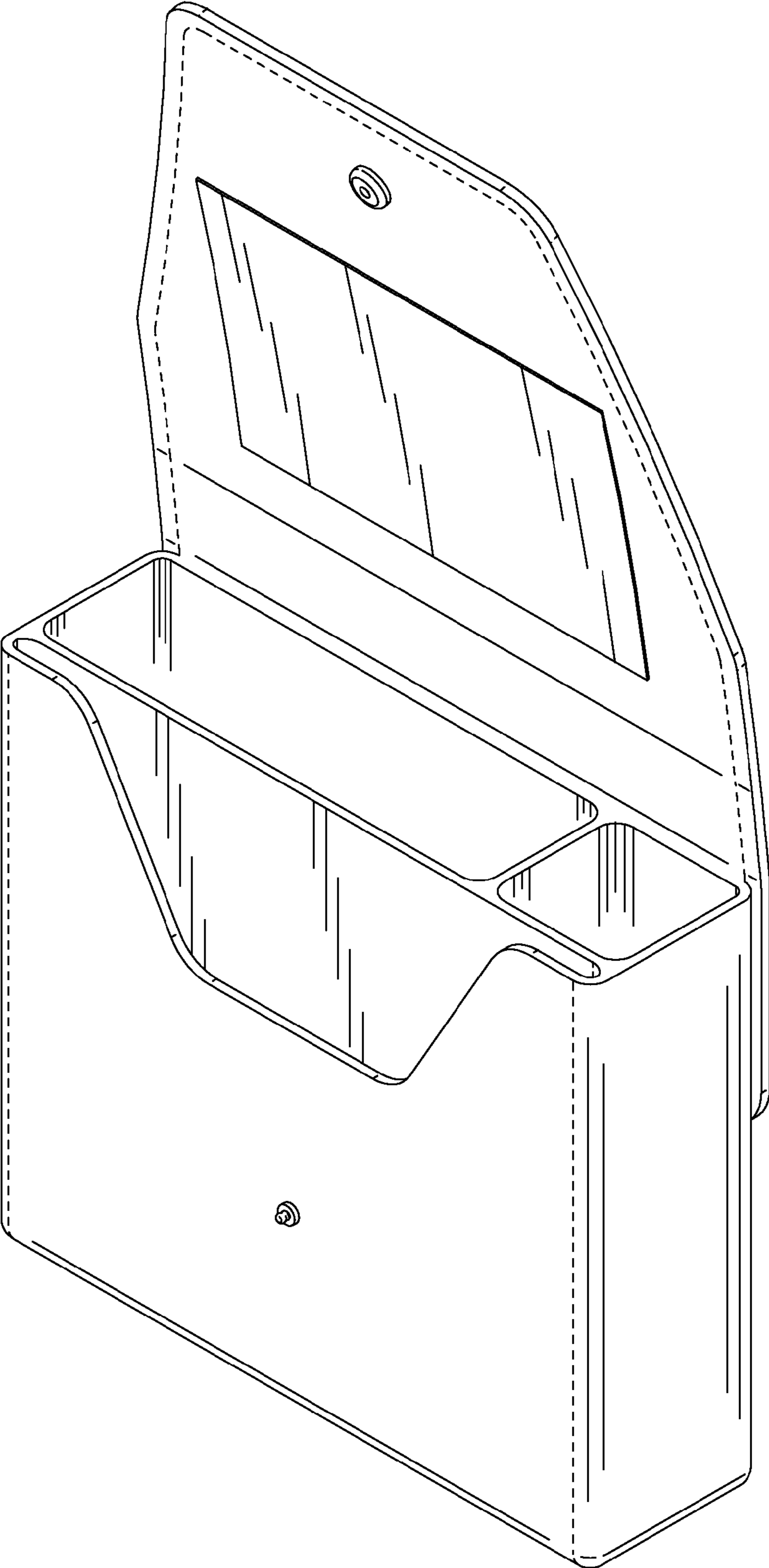


FIG. 8

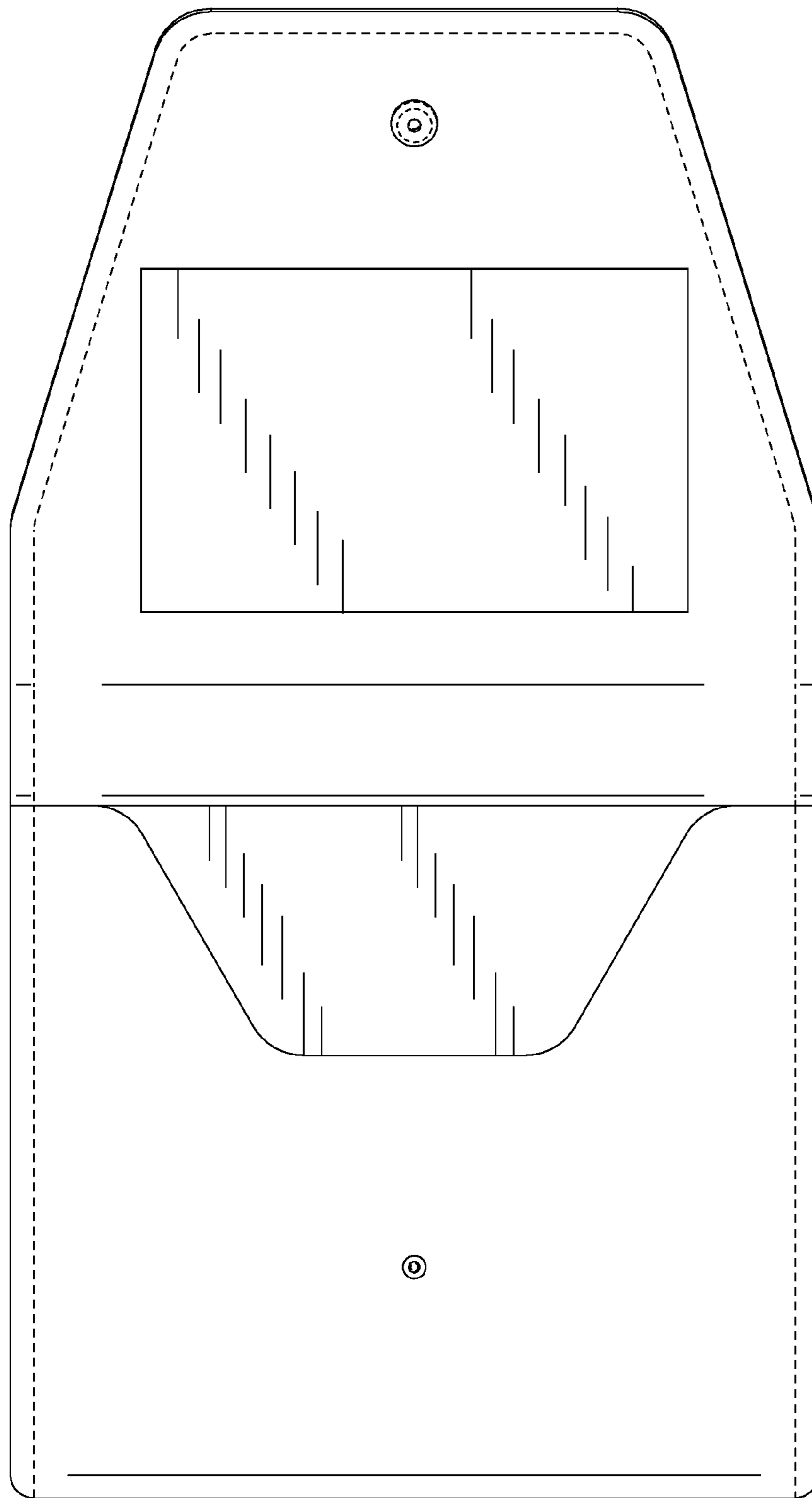


FIG. 9

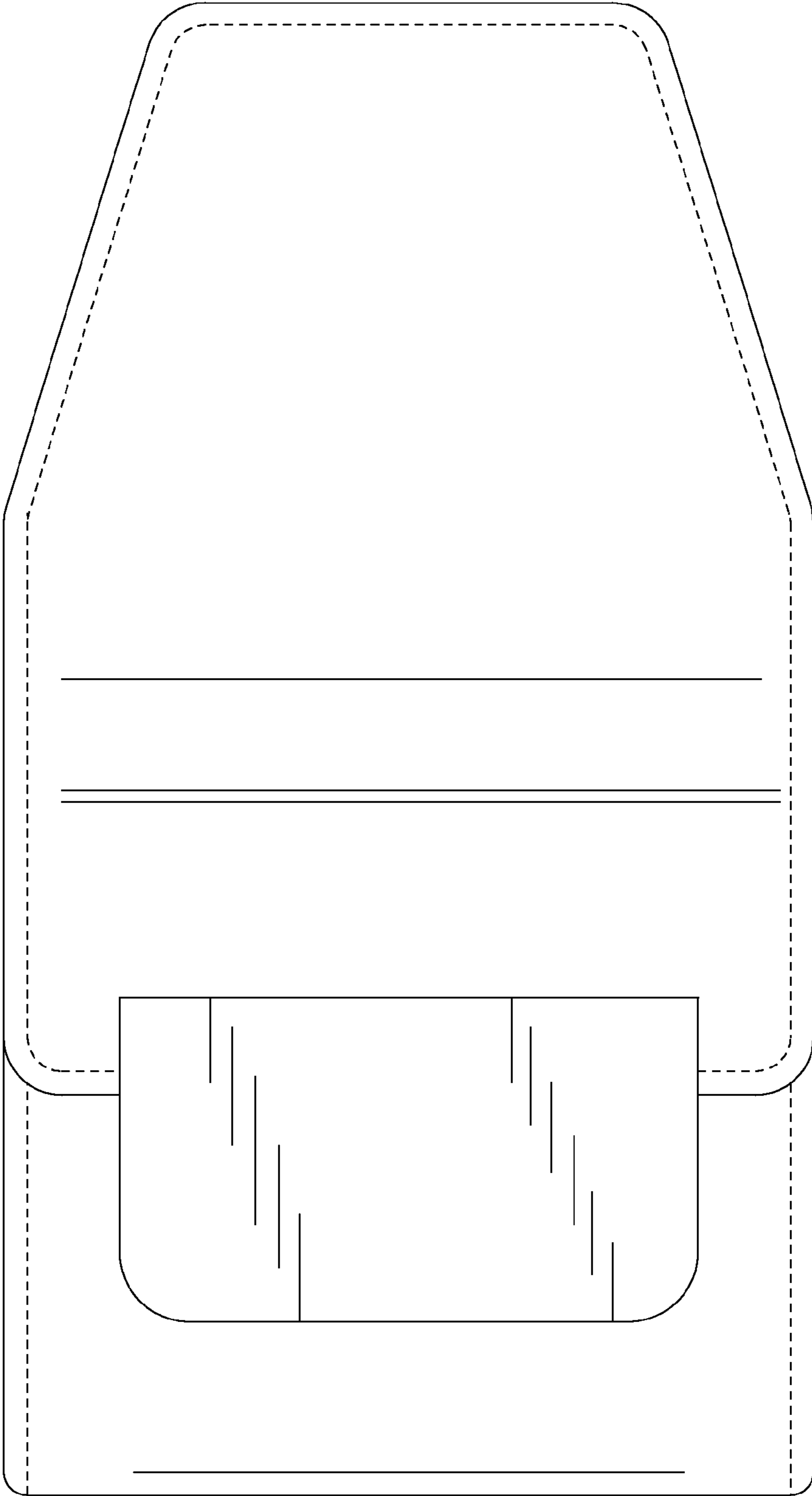


FIG. 10

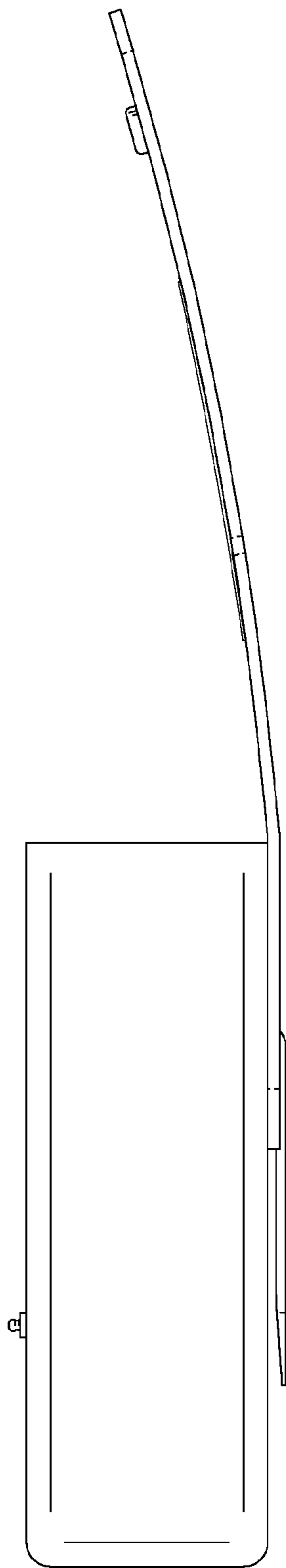


FIG. 11

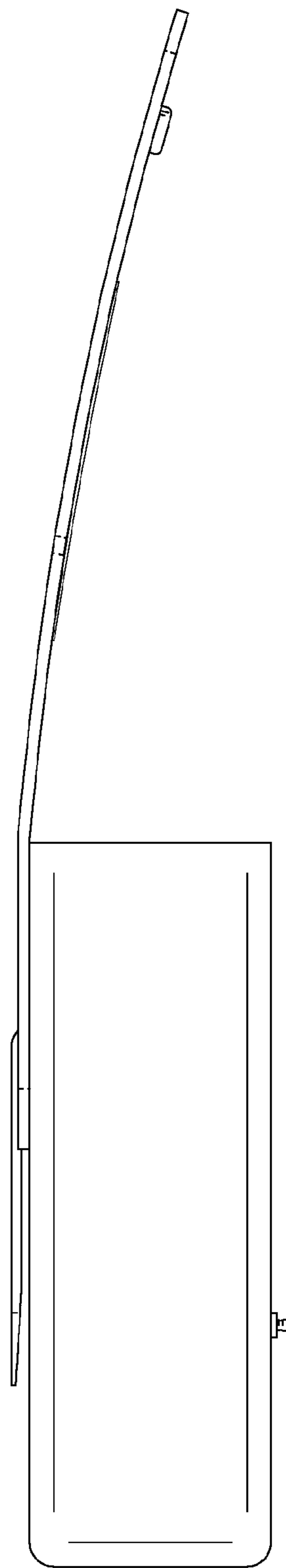


FIG. 12

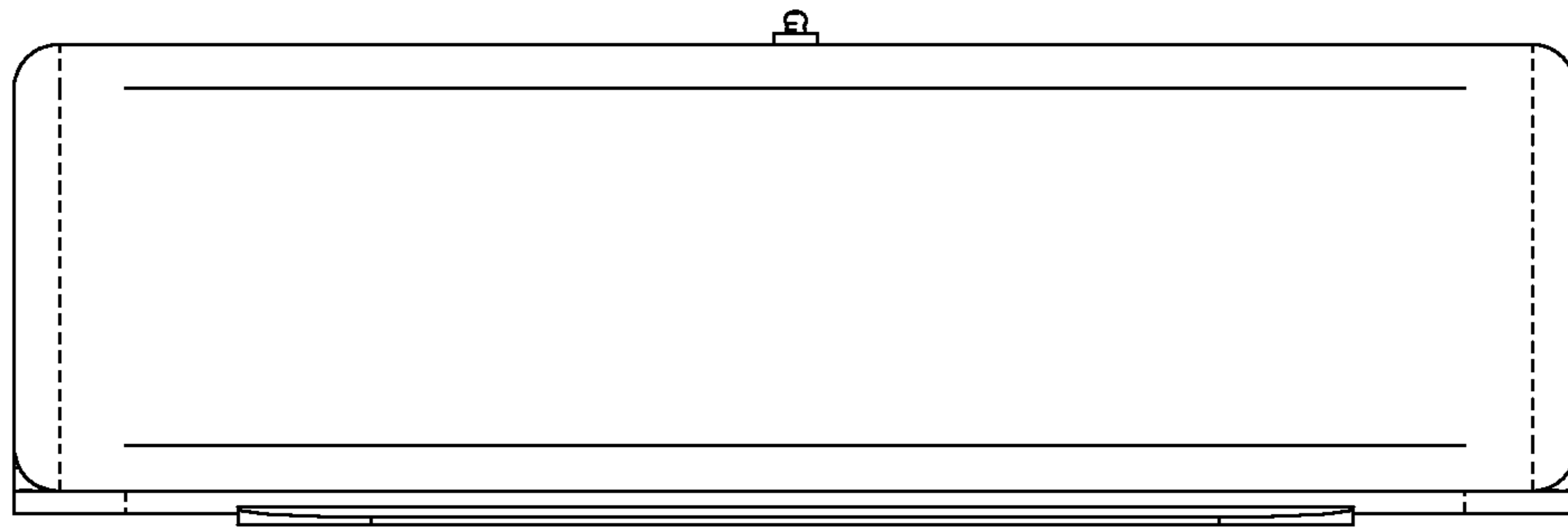


FIG. 13

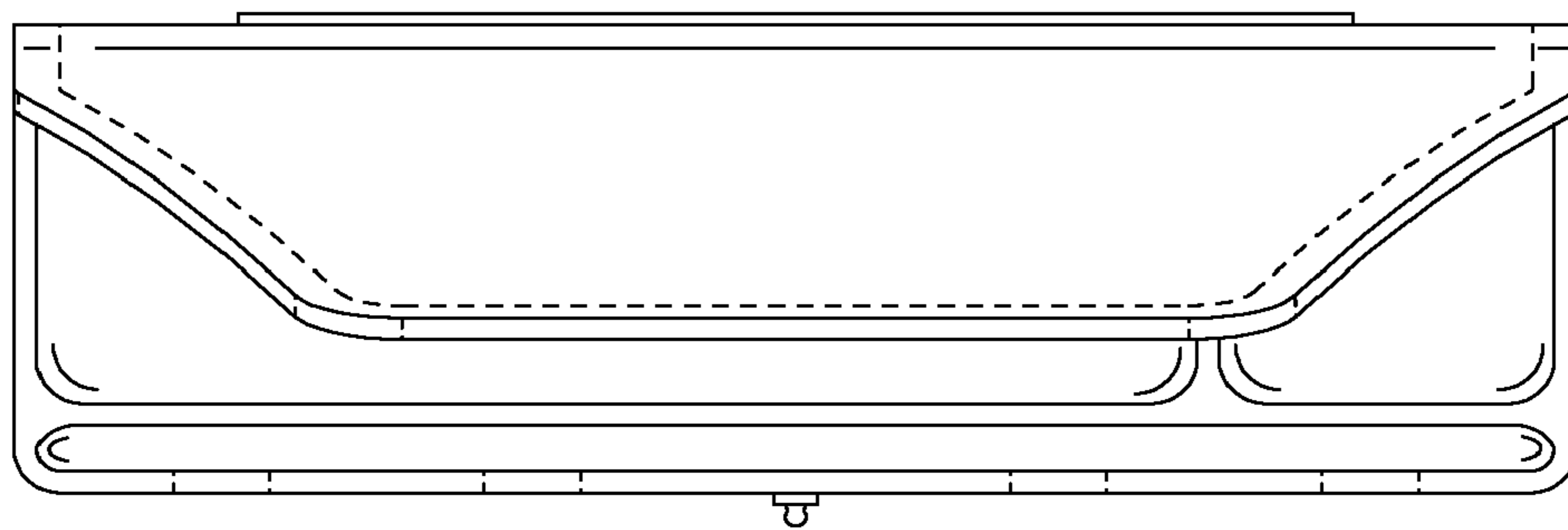


FIG. 14

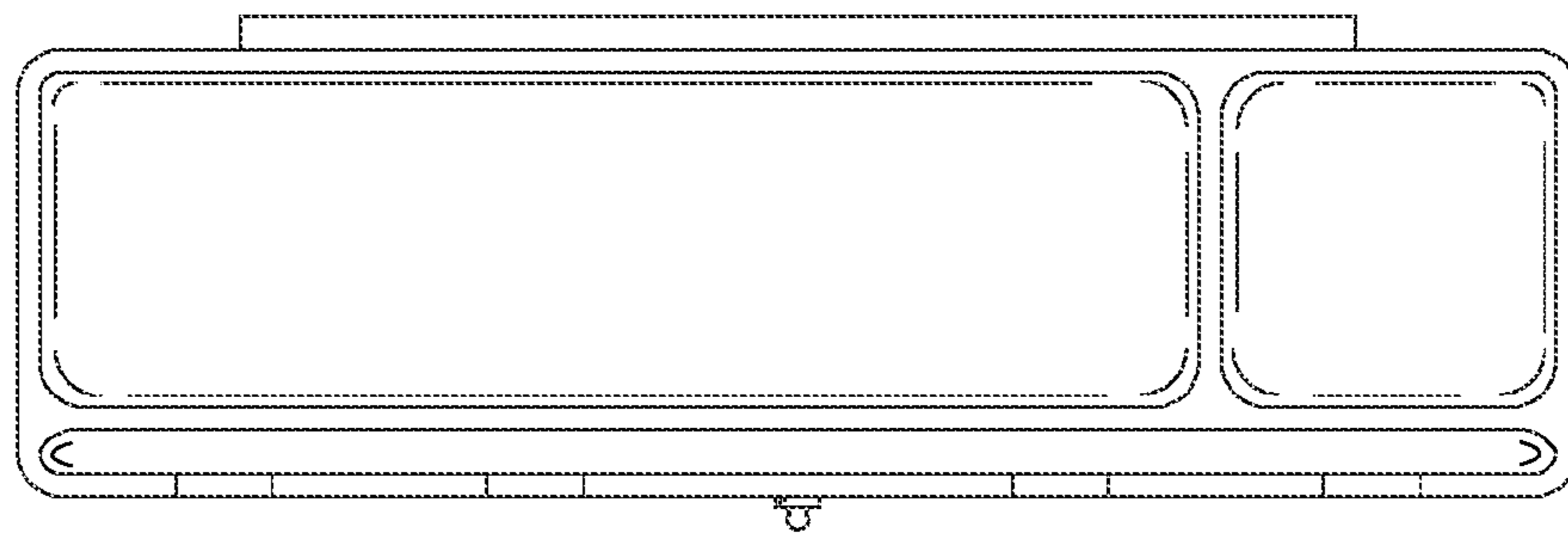


FIG. 15