

US00D663950S

(12) **United States Design Patent**
Willows et al.

(10) **Patent No.:** **US D663,950 S**
(45) **Date of Patent:** **** Jul. 24, 2012**

(54) **WAIST POUCH**

(76) Inventors: **Keith Willows**, Seattle, WA (US);
Antonio del Rosario, Bellevue, WA
(US); **June Angus**, Seattle, WA (US)

(**) Term: **14 Years**

(21) Appl. No.: **29/373,542**

(22) Filed: **Apr. 21, 2011**

(51) **LOC (9) Cl.** **03-01**

(52) **U.S. Cl.** **D3/226**

(58) **Field of Classification Search** D3/226,
D3/201, 205, 215, 218-219, 232-233, 247-249,
D3/221, 265-266; 224/217, 219, 222, 269,
224/664, 667, 669, 676-677, 934; 383/63,
383/111, 113

See application file for complete search history.

(56) **References Cited**

U.S. PATENT DOCUMENTS

D351,281 S *	10/1994	Petryk	D3/230
D419,291 S *	1/2000	Pugh	D3/226
D543,696 S *	6/2007	Dodier	D3/226
D617,551 S *	6/2010	Siekman et al.	D3/226

* cited by examiner

Primary Examiner — Catheri Oliver

(57) **CLAIM**

The ornamental design for a waist pouch, as shown and described.

DESCRIPTION

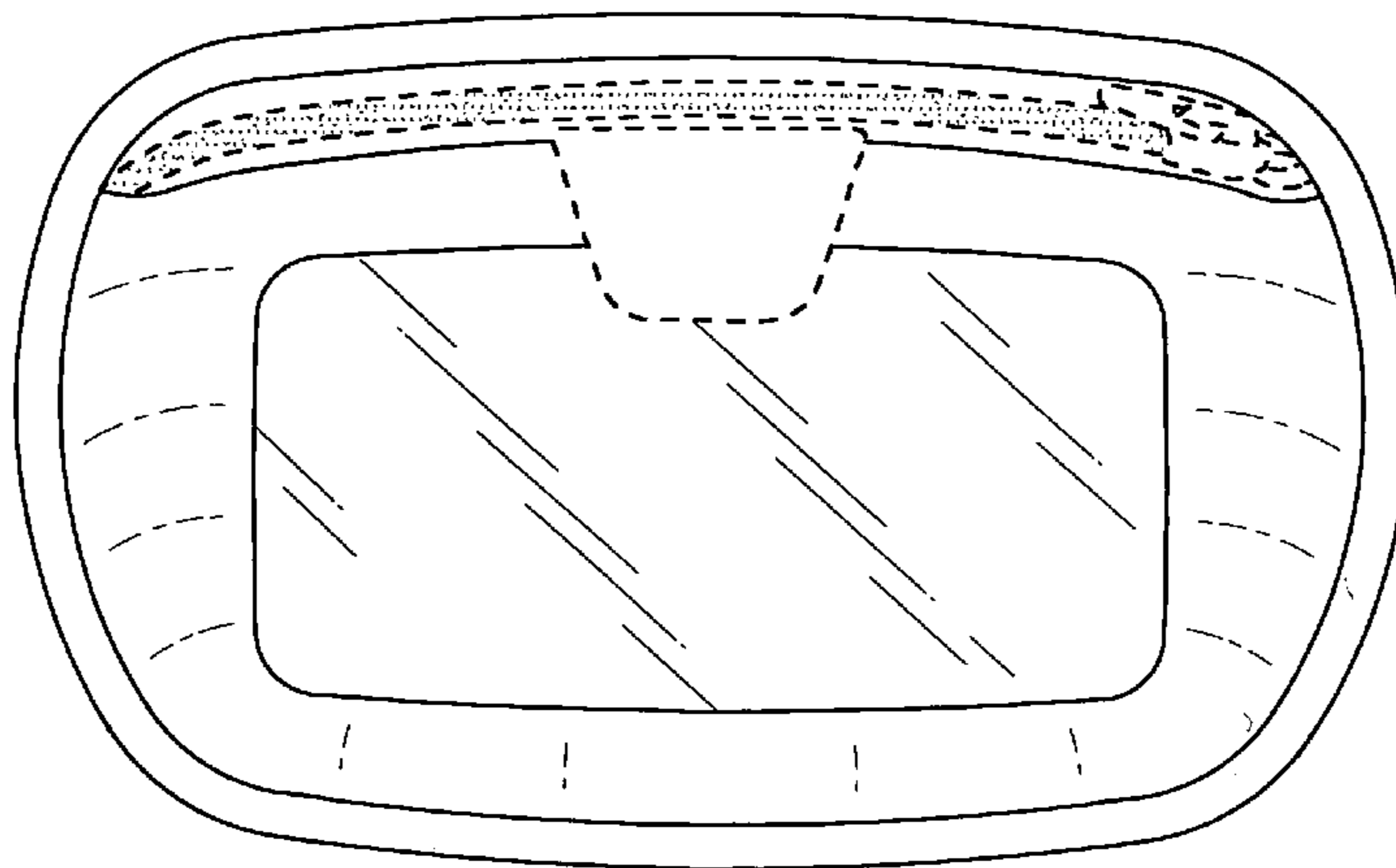
FIG. 1 is a front view of a waist pouch showing our new design;

FIG. 2 is a top view thereof;
 FIG. 3 is a bottom view thereof;
 FIG. 4 is a rear view thereof;
 FIG. 5 is a left side view thereof;
 FIG. 6 is a right side view thereof.
 FIG. 7 is a front view of a second embodiment of a waist pouch showing our new design;
 FIG. 8 is a top view thereof;
 FIG. 9 is a bottom view thereof; FIG. 4 being a rear view thereof;
 FIG. 10 is a left side view thereof;
 FIG. 11 is a right side view thereof.
 FIG. 12 is a front view of a third embodiment of a waist pouch showing our new design,
 FIG. 10 being a left side view thereof; FIG. 11 being a right side view thereof;
 FIG. 13 is a rear view thereof;
 FIG. 14 is a top view thereof;
 FIG. 15 is a bottom view thereof.
 FIG. 16 is a front view of a fourth embodiment of a waist pouch showing our new design, FIG. 5 being a left side view thereof, FIG. 6 being a right side view thereof; FIG. 13 being a rear view thereof;
 FIG. 17 is a top view thereof; and,
 FIG. 18 is a bottom view thereof.

The broken lines showing a logo tag in FIGS. 1-3, 5-12 and 14-18, zipper pull in FIGS. 1, 2, 6, 7, 8, 11, 12, 14, 16 and 17 and zipper in FIGS. 1, 2, 5, 7, 8, 10, 12, 14, 16, and 17 is for illustrative purposes only and forms no part of the claimed design.

The article in which the present design is embodied is a pouch with transparent area on the front.

1 Claim, 6 Drawing Sheets



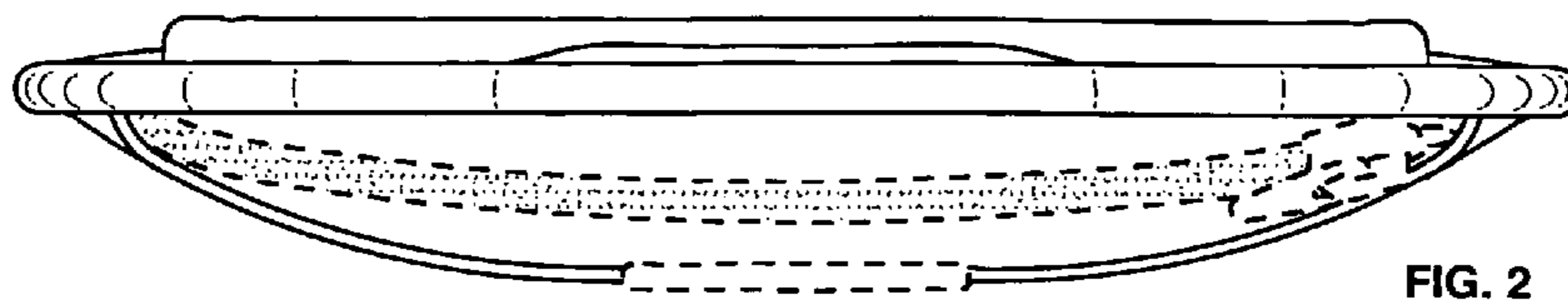


FIG. 2

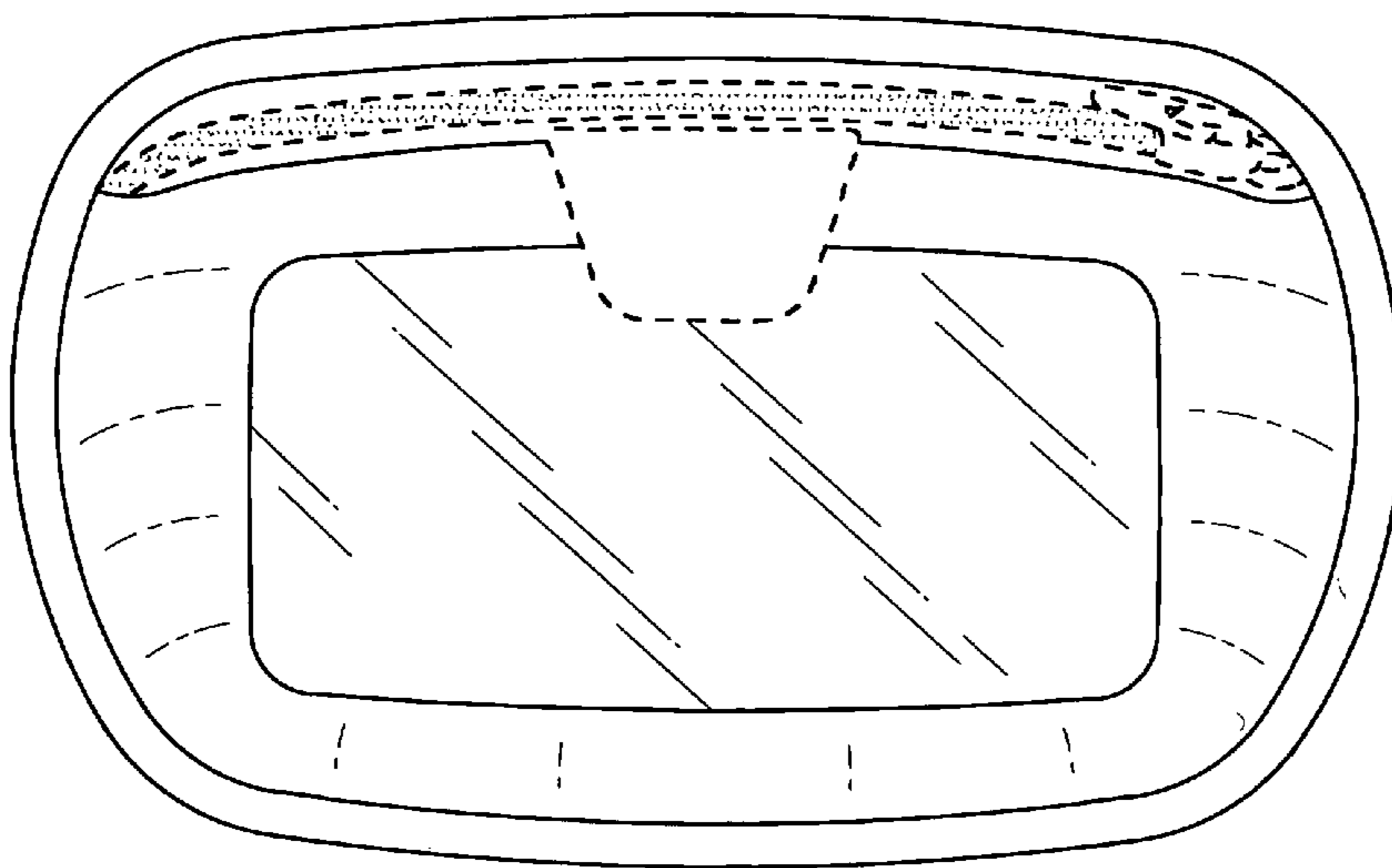


FIG. 1

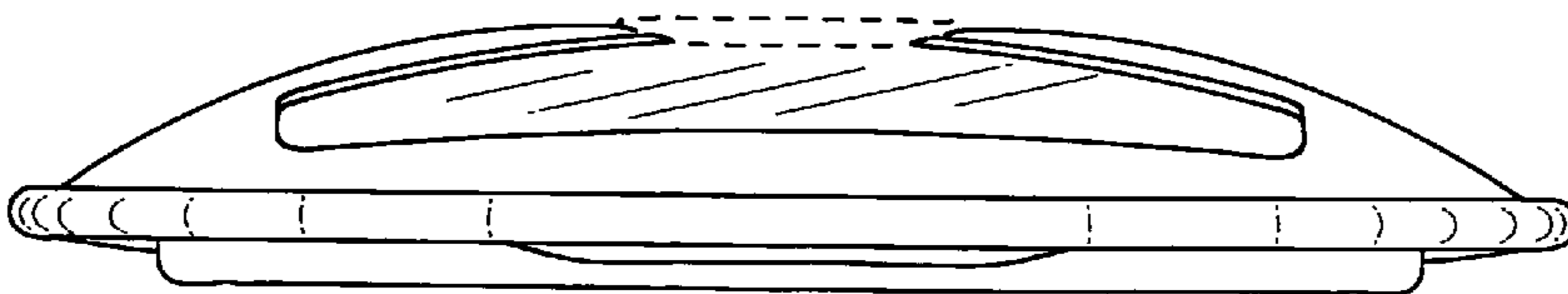


FIG. 3

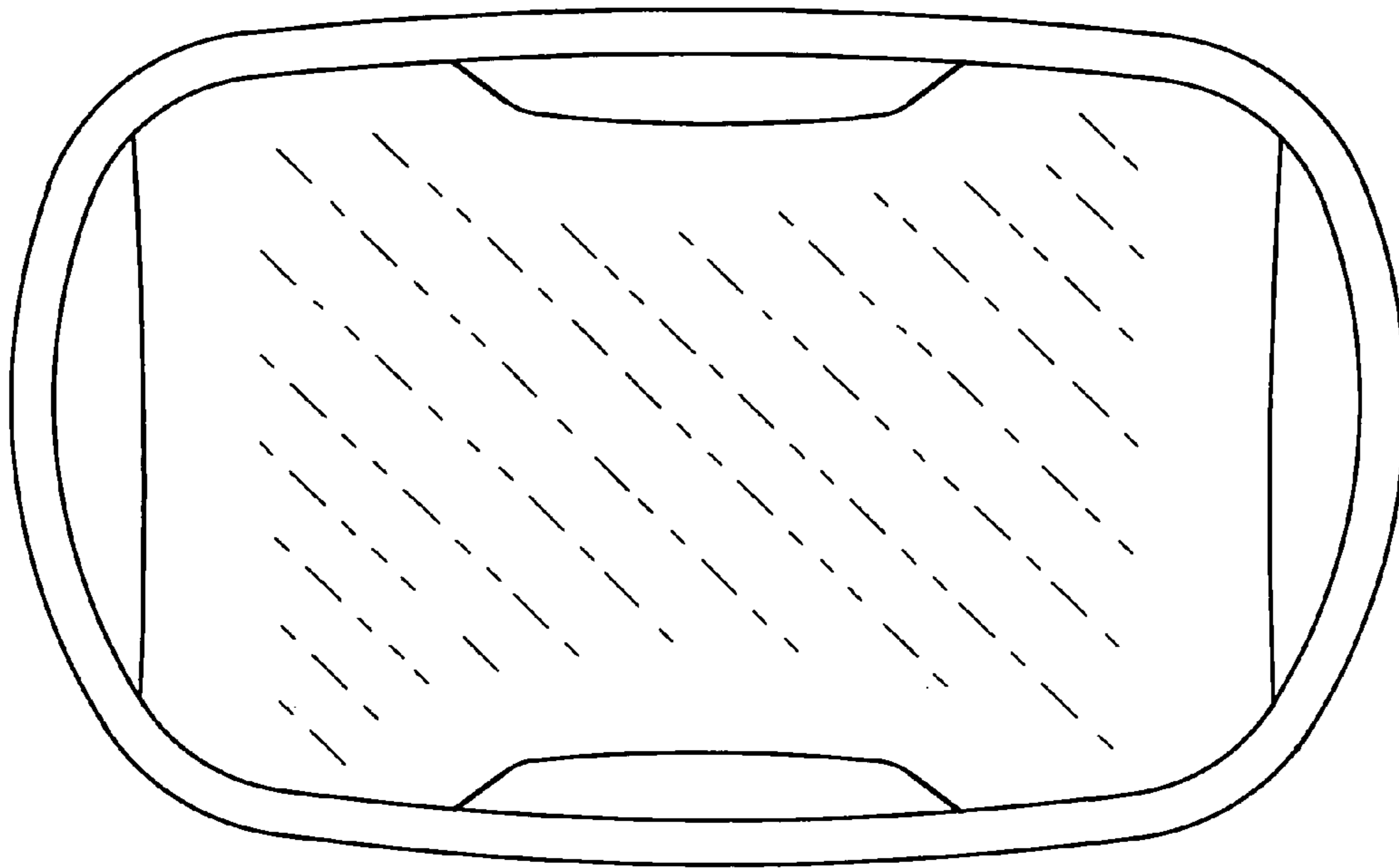


FIG. 4

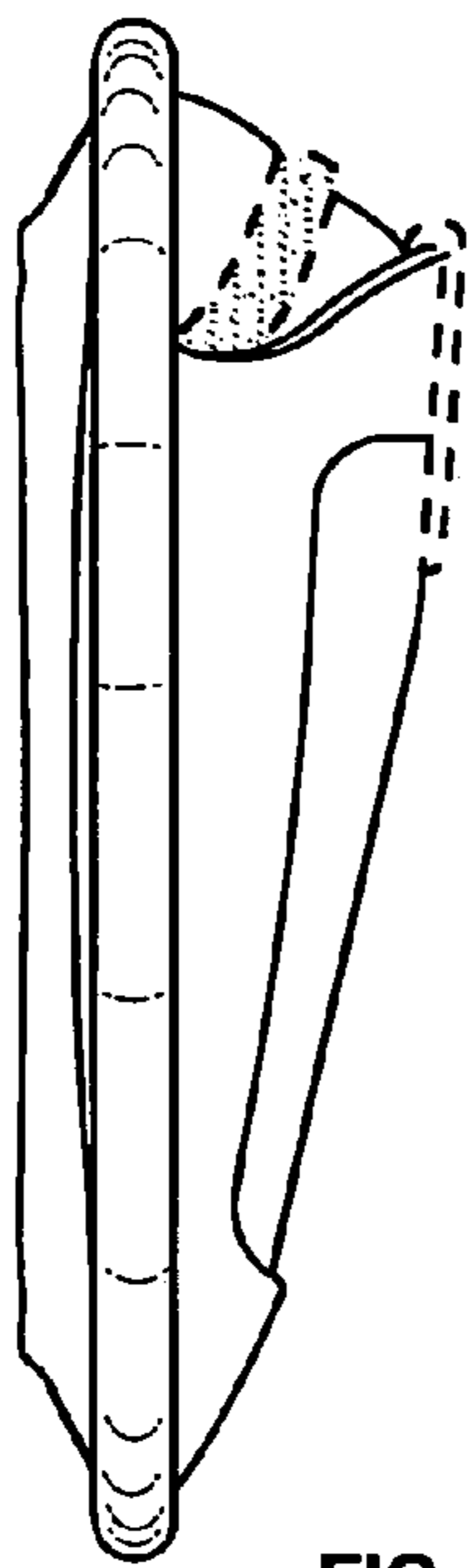


FIG. 5

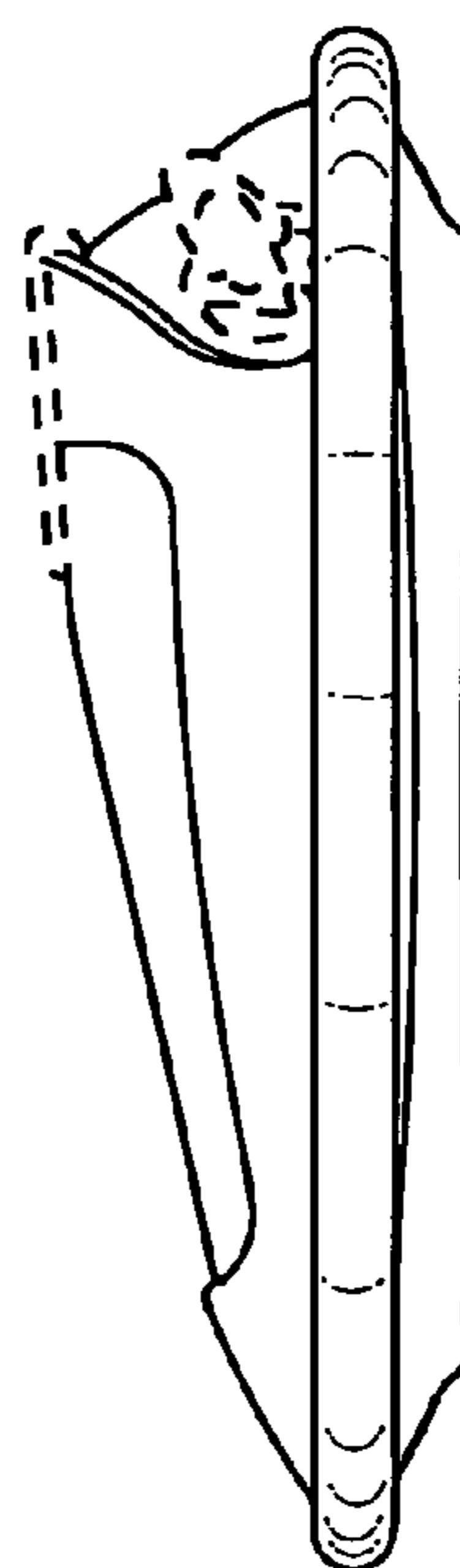


FIG. 6

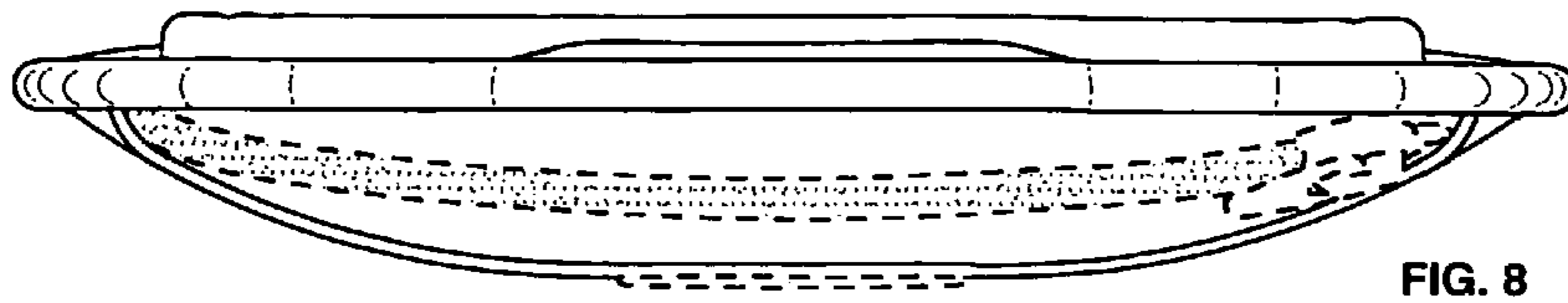


FIG. 8

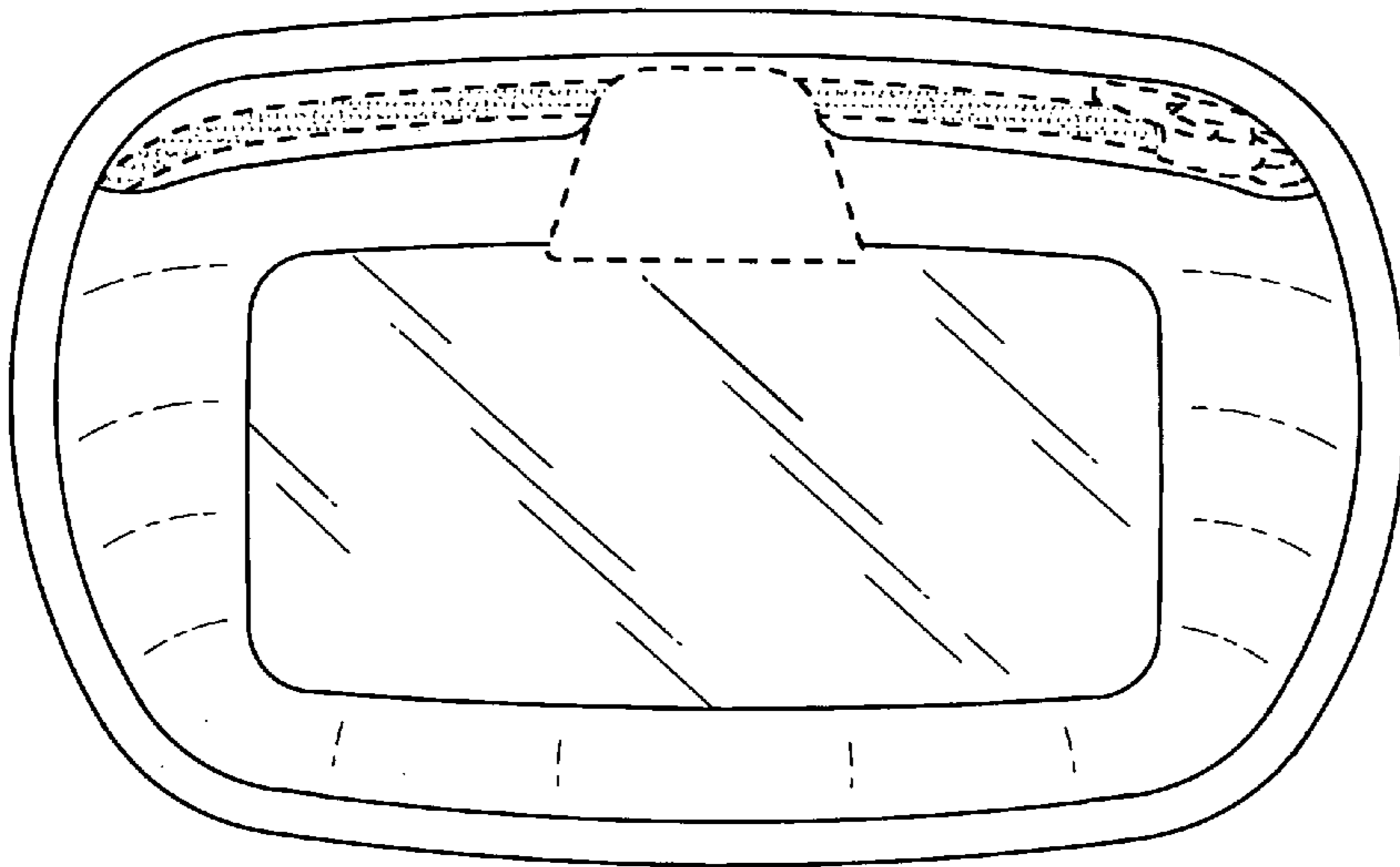


FIG. 7

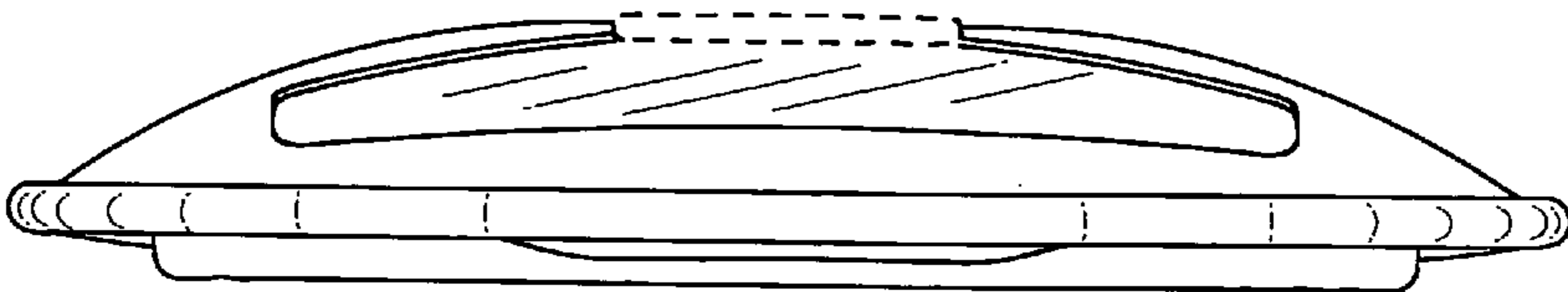


FIG. 9

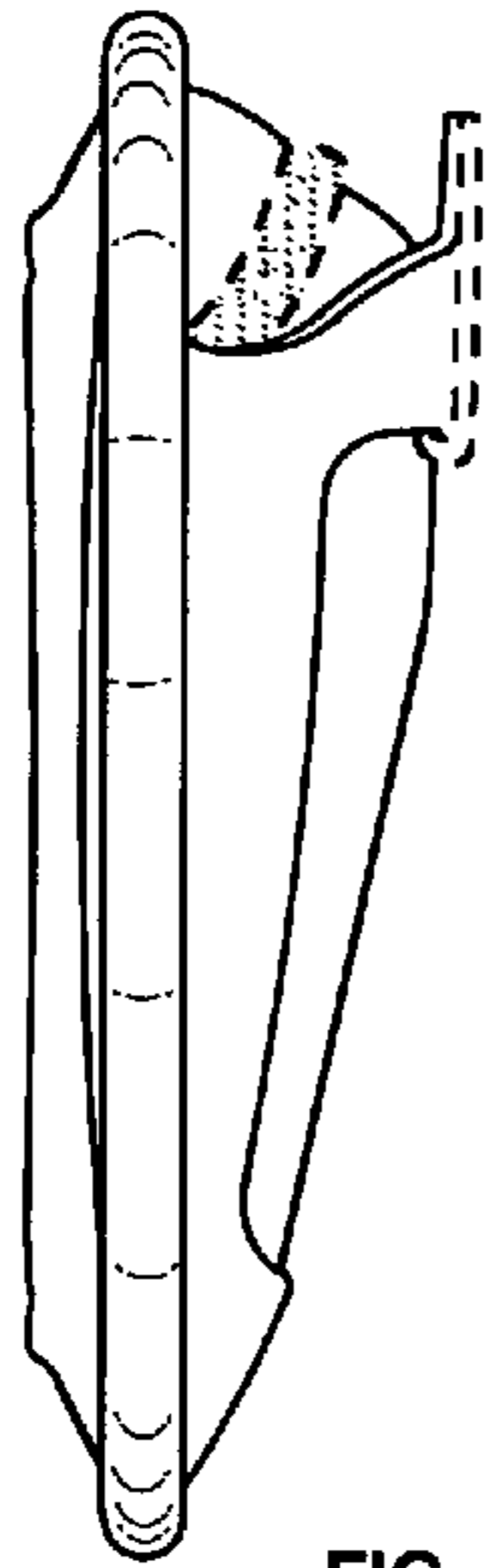


FIG. 10

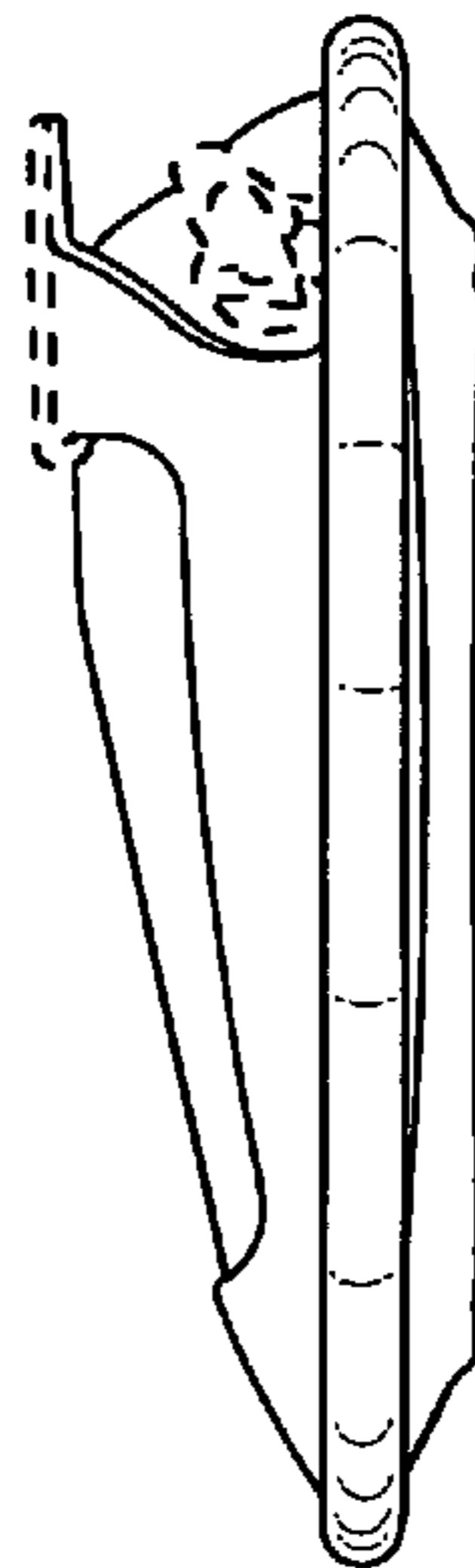


FIG. 11

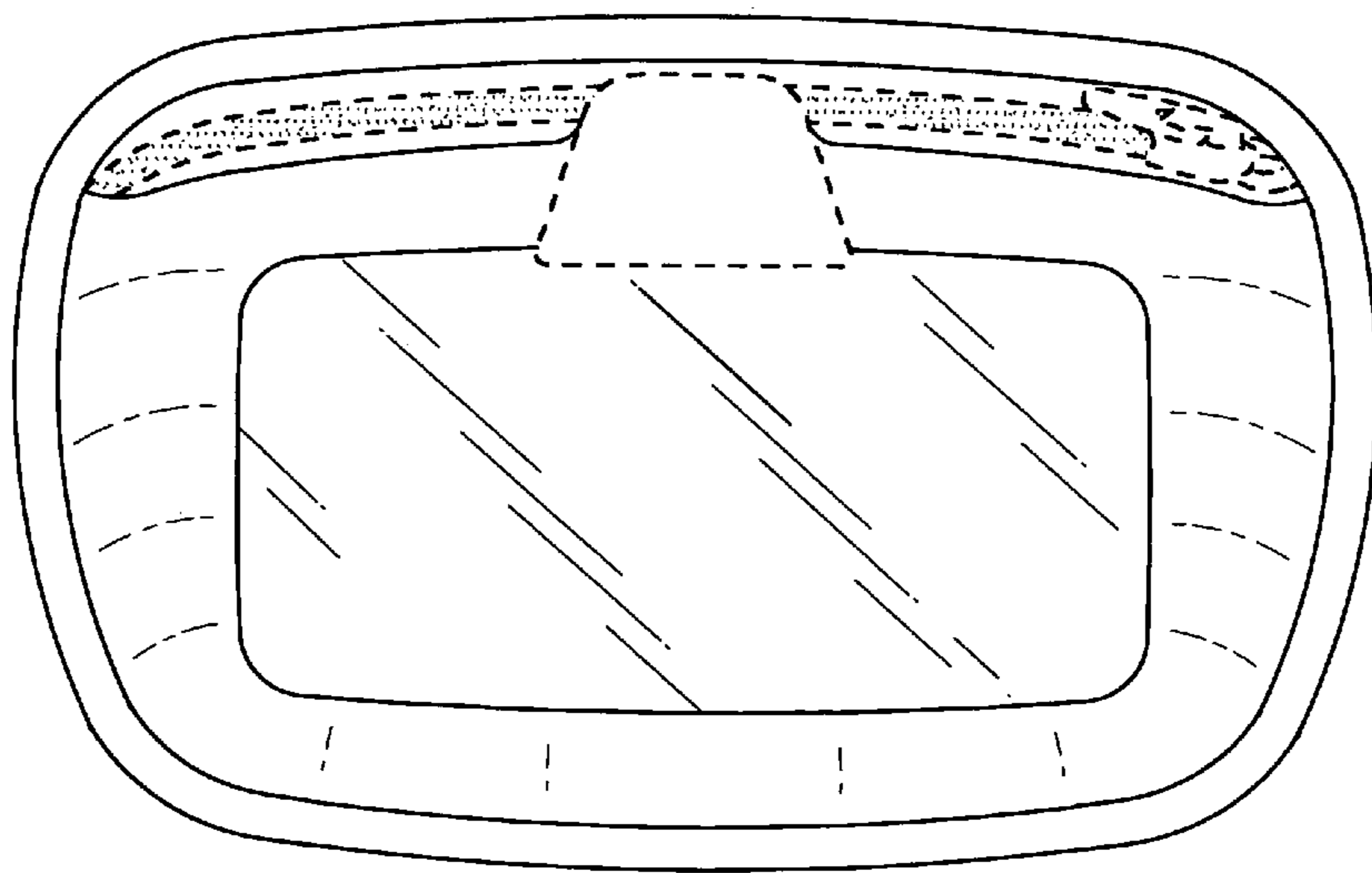


FIG. 12

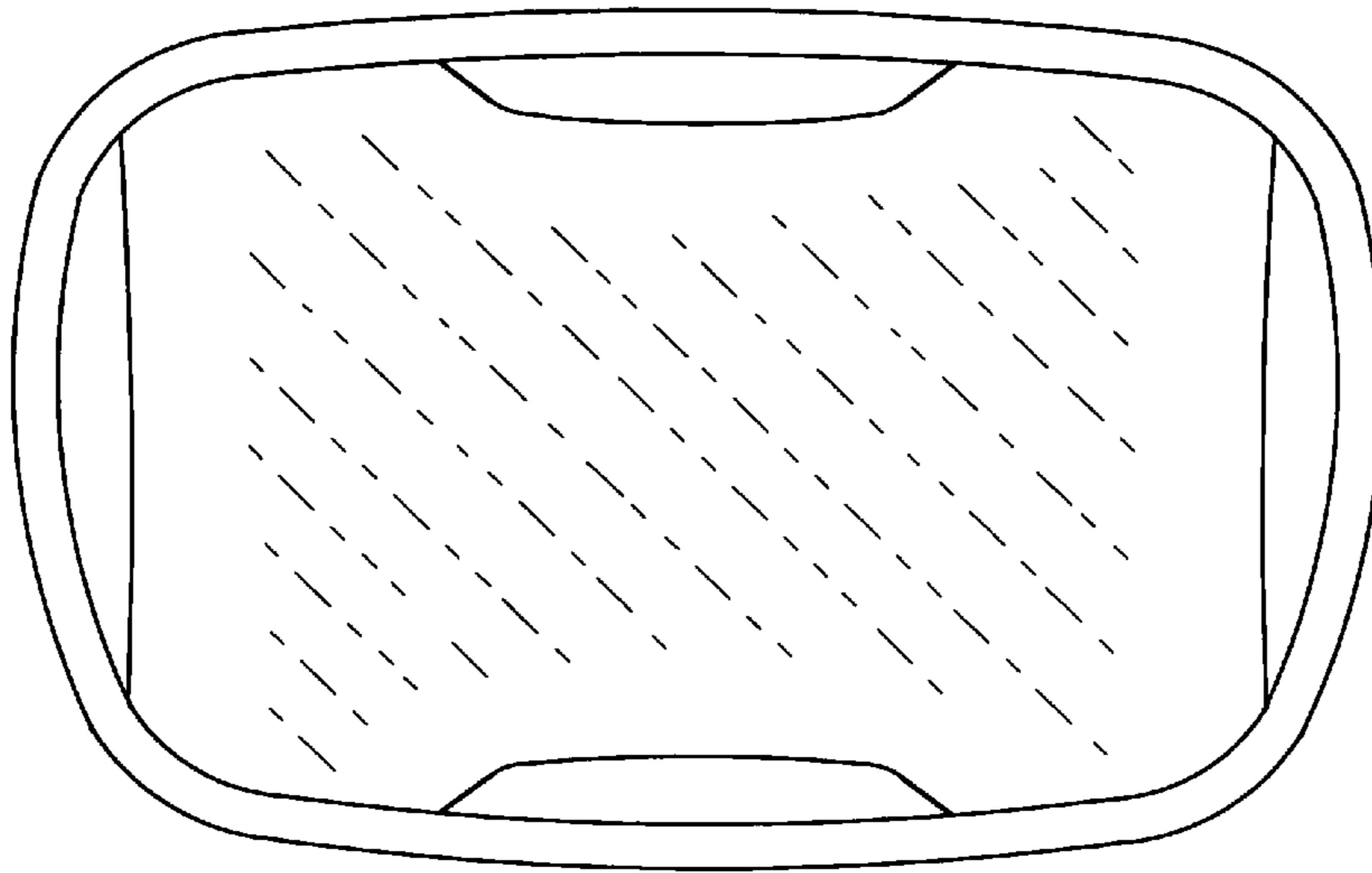


FIG. 13

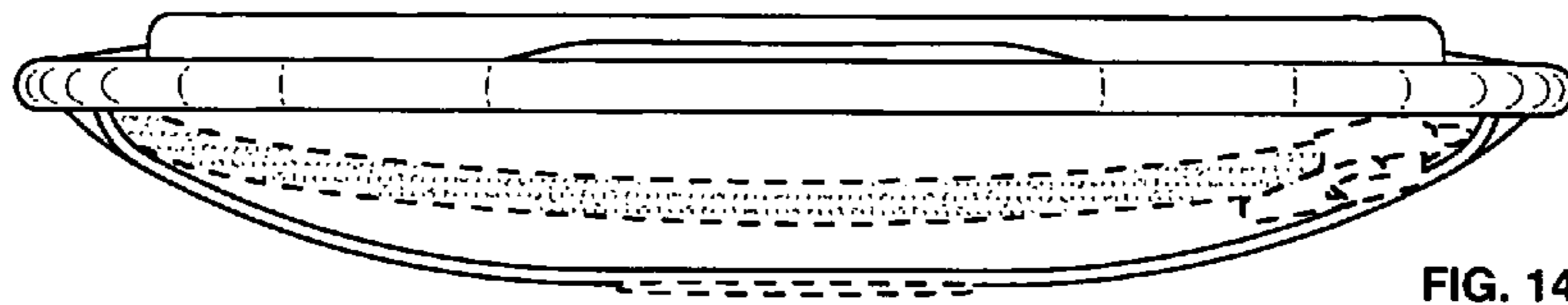


FIG. 14

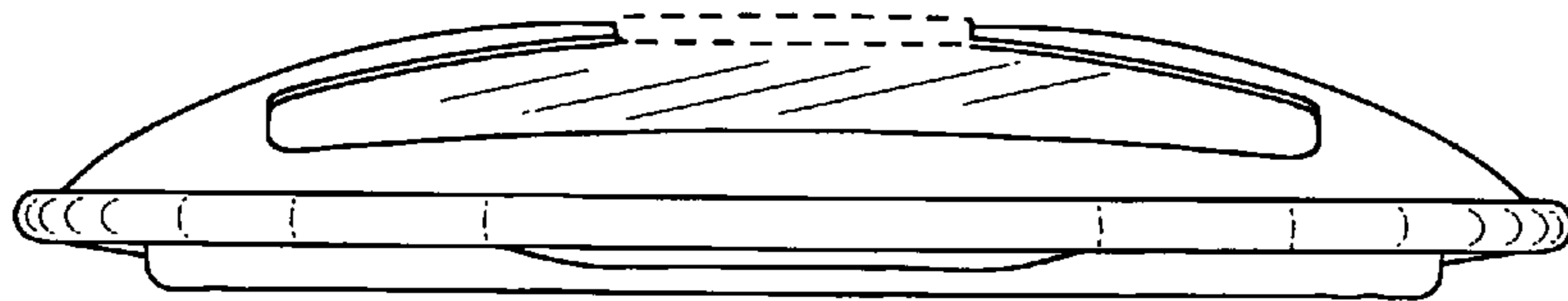


FIG. 15

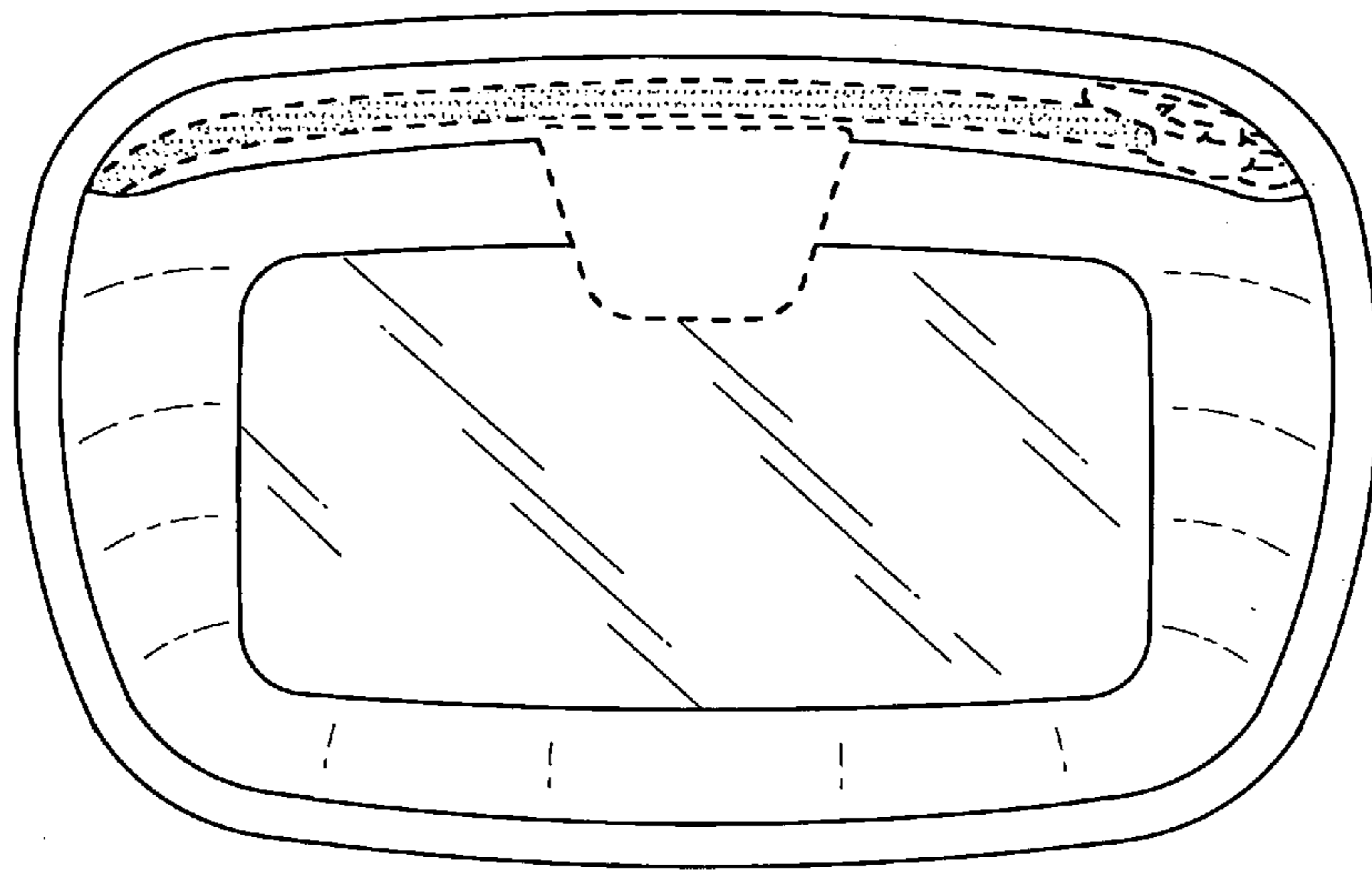


FIG. 16

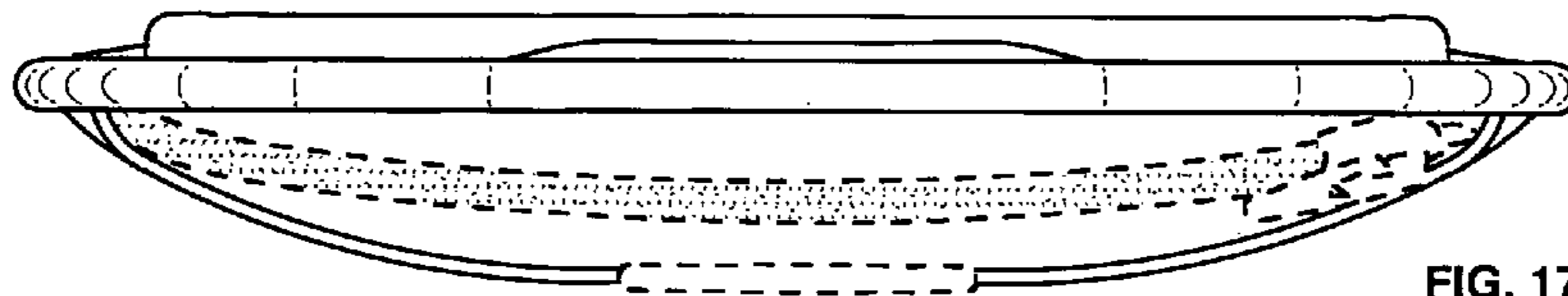


FIG. 17

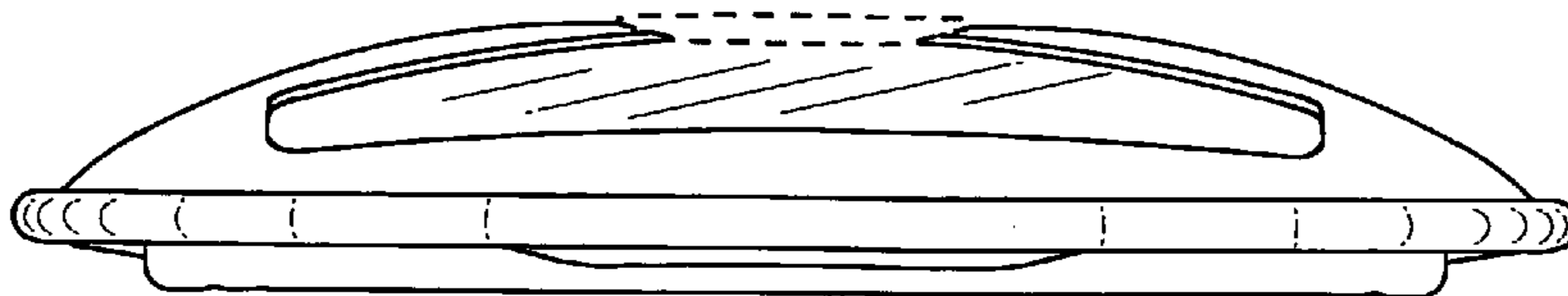


FIG. 18