

US00D663949S

(12) **United States Design Patent**
Ito et al.

(10) **Patent No.:** **US D663,949 S**
(45) **Date of Patent:** **** Jul. 24, 2012**

(54) **MOBILE PHONE CASE**

(75) Inventors: **Setsu Ito**, Milan (IT); **Shinobu Ito**,
Milan (IT)

(73) Assignee: **KDDI Corporation**, Toyko (JP)

(**) Term: **14 Years**

(21) Appl. No.: **29/403,757**

(22) Filed: **Oct. 11, 2011**

(30) **Foreign Application Priority Data**

Apr. 11, 2011 (JP) 2011-008293

(51) **LOC (9) Cl.** **03-01**

(52) **U.S. Cl.** **D3/218**

(58) **Field of Classification Search** D3/218,
D3/201, 215, 219, 269, 272, 303; 224/587,
224/667, 683, 929-930, 240, 245; D14/250-25,
D14/253, 345, 432, 439-440; 379/437, 440,
379/446-447, 449-455; 455/575.1-575.9

See application file for complete search history.

(56) **References Cited**

U.S. PATENT DOCUMENTS

D307,673 S * 5/1990 Brown D3/218
D606,738 S * 12/2009 Hofer et al. D3/218
D648,524 S * 11/2011 Fahrendorff et al. D3/218

* cited by examiner

Primary Examiner — Catheri Oliver

(74) *Attorney, Agent, or Firm* — Westman, Hattori, Daniels
& Adrian, LLP

(57) **CLAIM**

The ornamental design for a mobile phone case, as shown and
described.

DESCRIPTION

FIG. 1 is a perspective view of a mobile phone case.

FIG. 2 is a front elevation view thereof.

FIG. 3 is a rear elevation view thereof.

FIG. 4 is a top plan view thereof.

FIG. 5 is a bottom plan view thereof.

FIG. 6 is a right side elevation view thereof. A left side
elevation view is a mirror image of the right side elevation
view.

FIG. 7 is a right side view wherein the lid is extended.

FIG. 8 is a cross-sectional view taken along the line 8-8 in
FIG. 4; and,

FIG. 9 is a cross-sectional view taken along the line 9-9 in
FIG. 4.

1 Claim, 9 Drawing Sheets

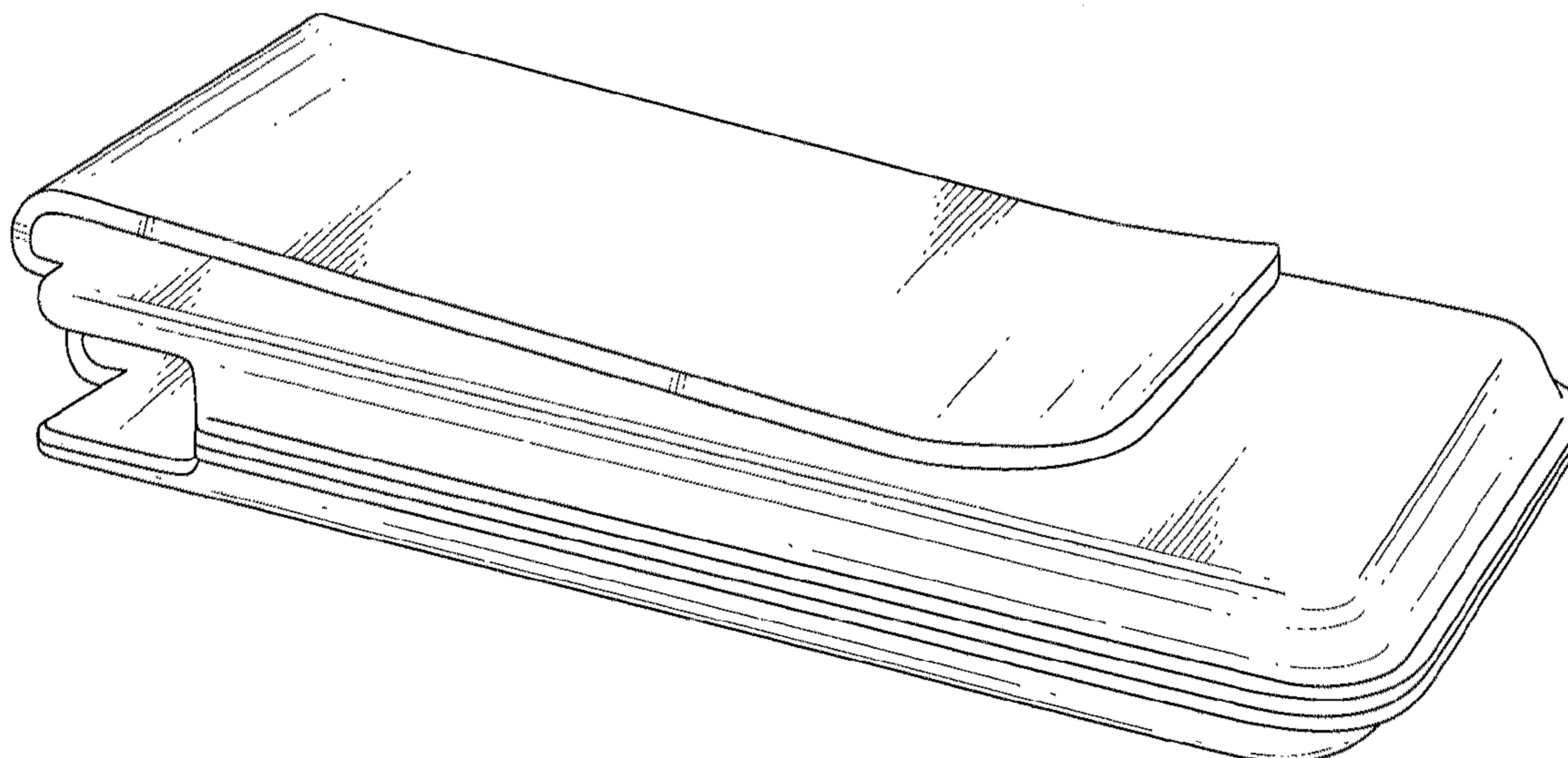


FIG. 1

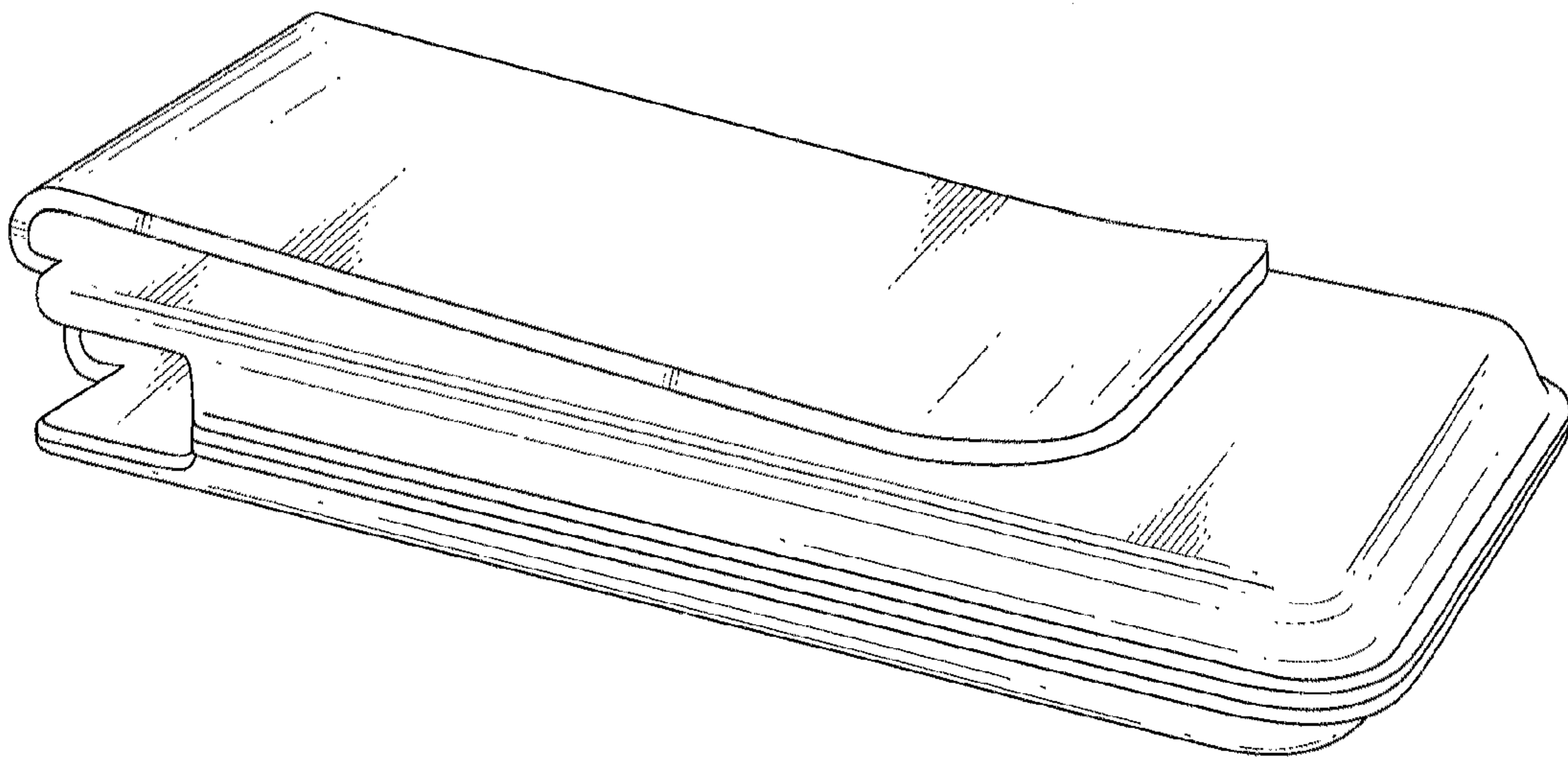


FIG. 2

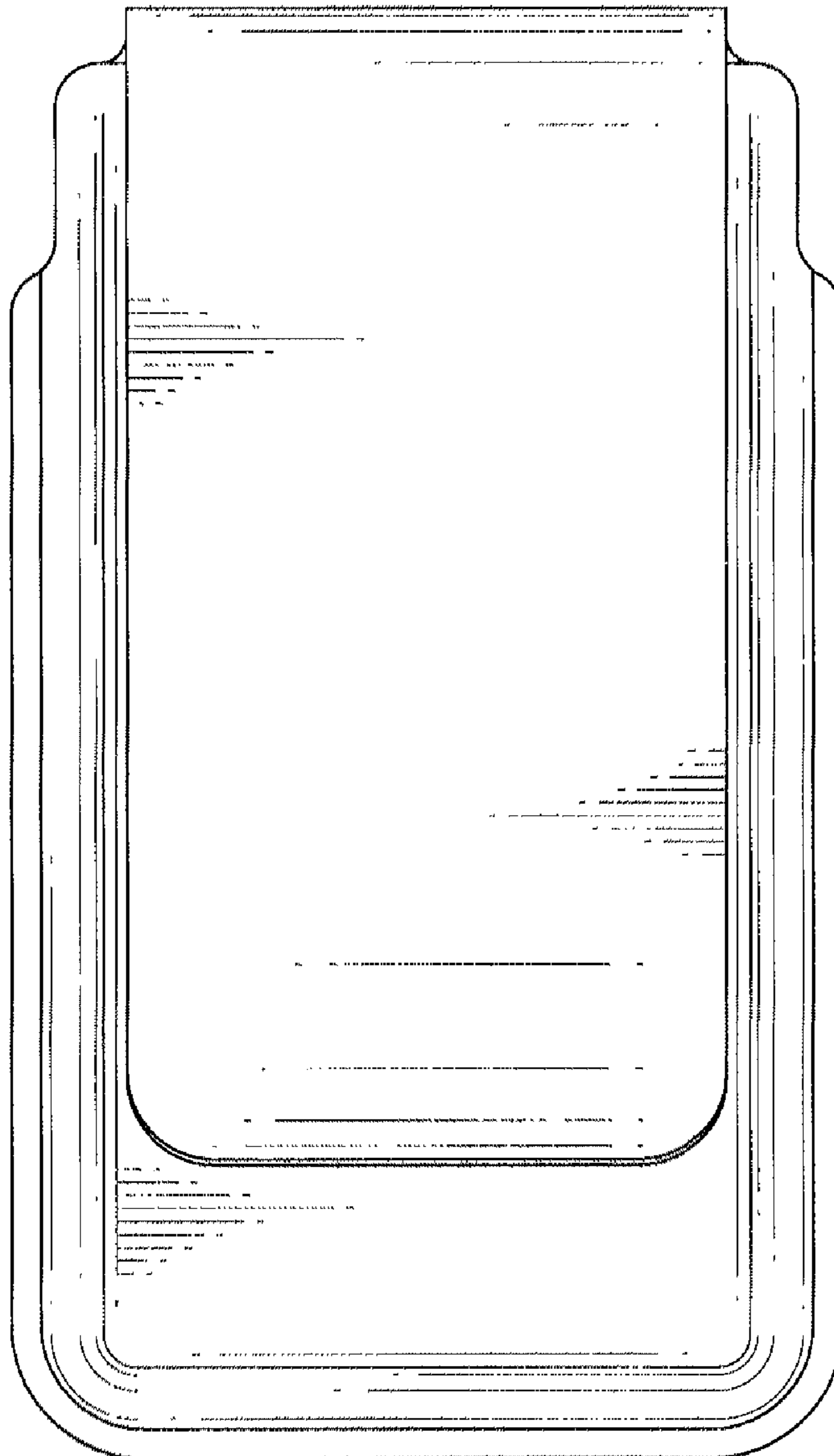


FIG. 3

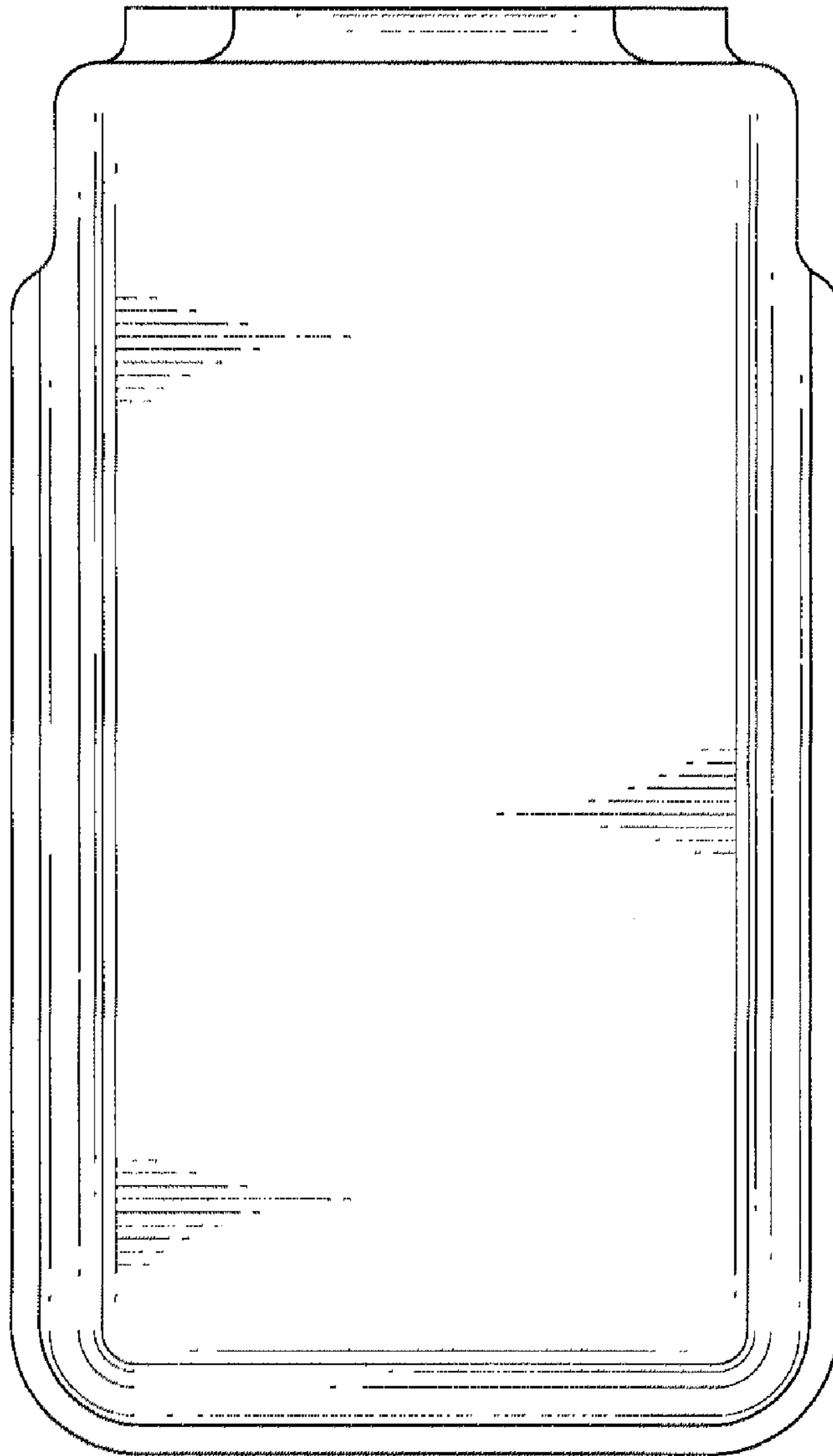


FIG. 4

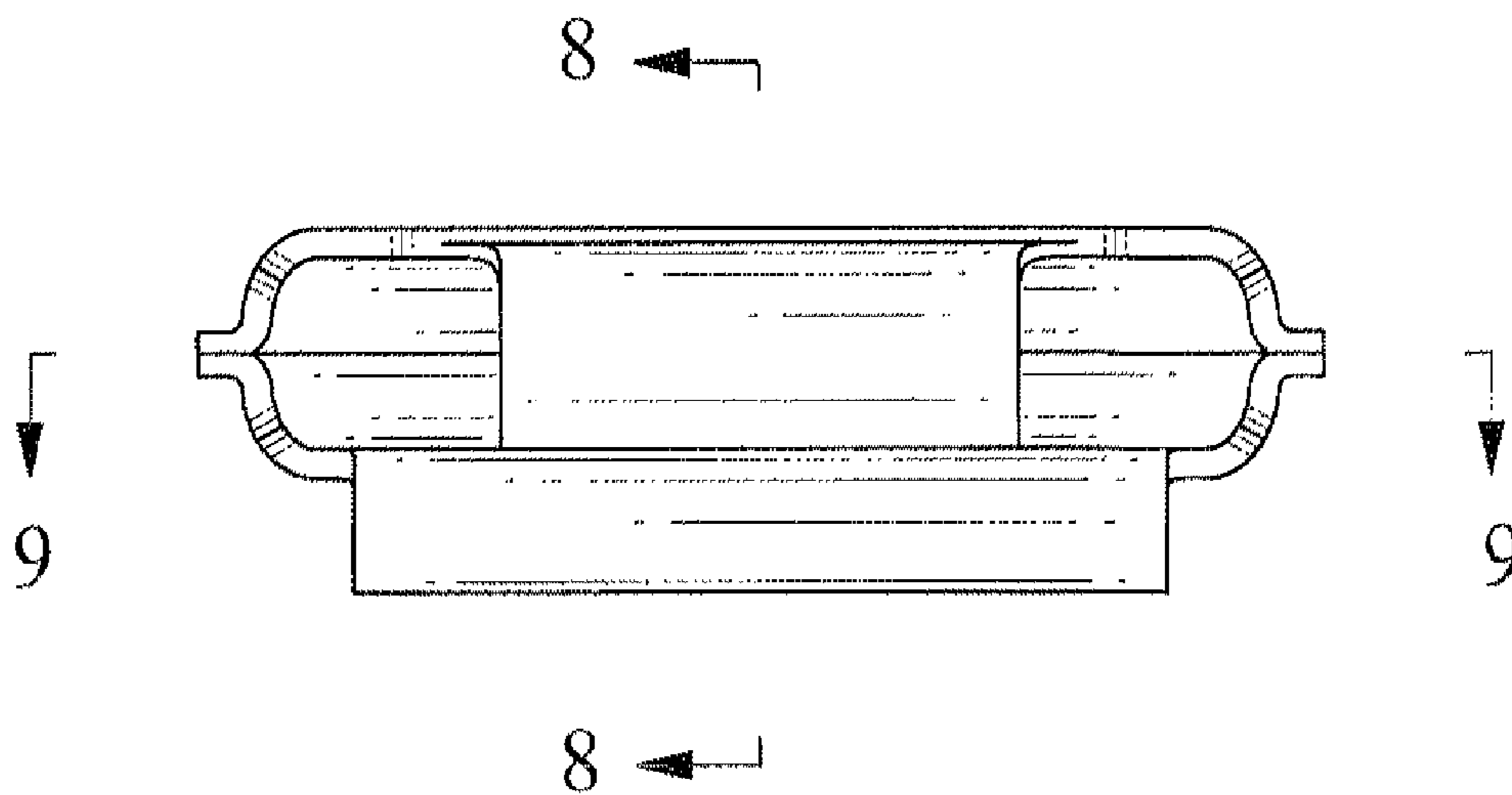


FIG. 5

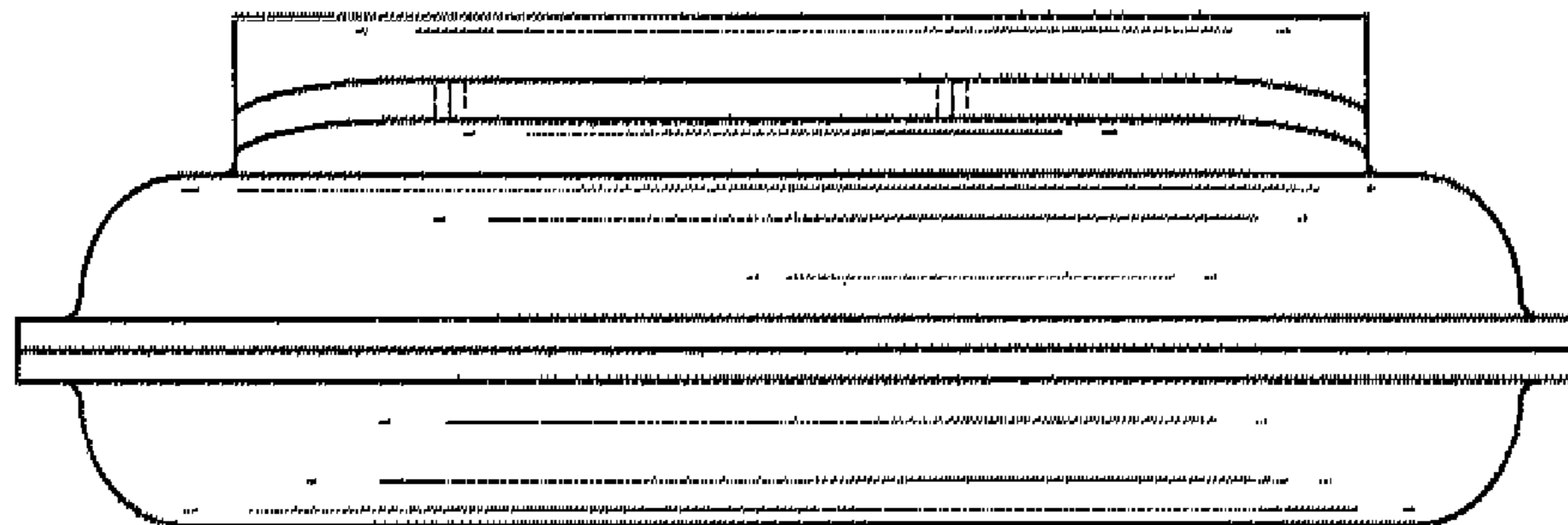


FIG. 6



FIG. 7

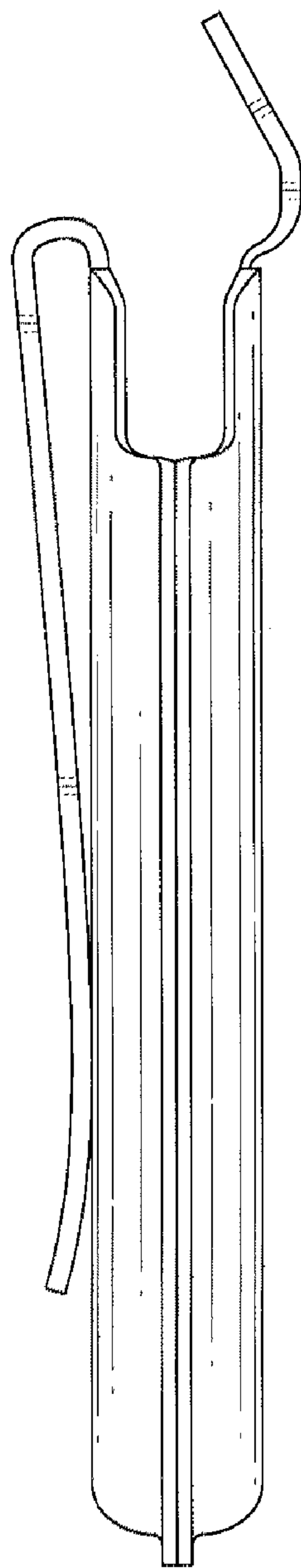


FIG. 8

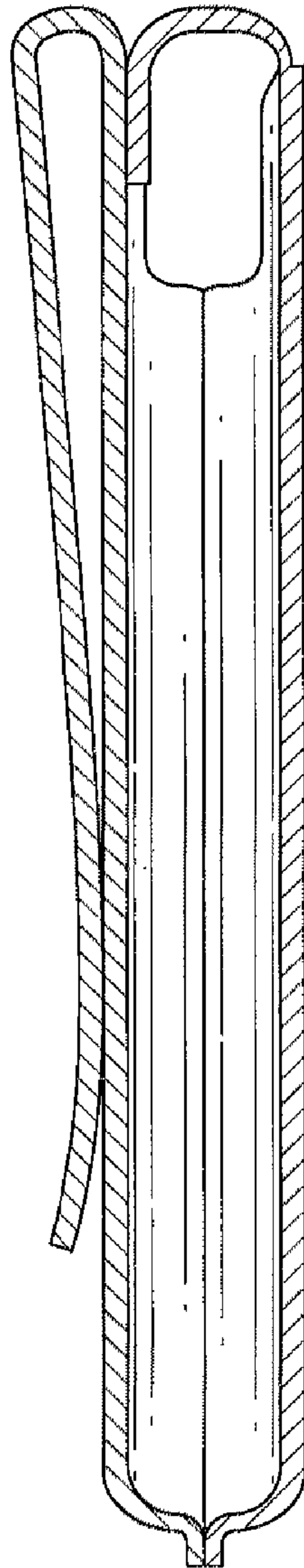


FIG. 9

