



US00D663948S

(12) **United States Design Patent**
Ito et al.

(10) **Patent No.:** **US D663,948 S**
(45) **Date of Patent:** **** Jul. 24, 2012**

(54) **MOBILE PHONE CASE**

(75) Inventors: **Setsu Ito**, Milan (IT); **Shinobu Ito**, Milan (IT)

(73) Assignee: **KDDI Corporation**, Tokyo (JP)

(**) Term: **14 Years**

(21) Appl. No.: **29/403,755**

(22) Filed: **Oct. 11, 2011**

(30) **Foreign Application Priority Data**

Apr. 11, 2011 (JP) 2011-008292

(51) **LOC (9) Cl.** **03-01**

(52) **U.S. Cl.** **D3/218**

(58) **Field of Classification Search** D3/218,
D3/215, 219, 269, 272, 303, 201; 224/240,
224/245, 587, 667, 683, 929-930; D14/138,
D14/250-251, 253, 345, 432, 439-440; 379/437,
379/440, 446-447, 449-455; 455/575.1-575.9

See application file for complete search history.

(56) **References Cited**

U.S. PATENT DOCUMENTS

D495,874 S *	9/2004	Kamiya	D3/218
D505,786 S *	6/2005	Pueblo	D3/218
D512,560 S *	12/2005	Williford	D3/218
D631,650 S *	2/2011	Li	D3/218
D653,444 S *	2/2012	Larios	D3/218

* cited by examiner

Primary Examiner — Catheri Oliver

(74) *Attorney, Agent, or Firm* — Westerman, Hattori, Daniels & Adrian

(57) **CLAIM**

The ornamental design for a mobile phone case, as shown and described.

DESCRIPTION

FIG. 1 is a front elevation view of a mobile phone case.

FIG. 2 is a rear elevation view thereof.

FIG. 3 is a top plan view thereof.

FIG. 4 is a bottom plan view thereof.

FIG. 5 is a right side elevation view thereof. A left side elevation view is a mirror image of the right side elevation view.

FIG. 6 is a front view wherein the lid is raised.

FIG. 7 is a right side view wherein the lid is raised.

FIG. 8 is a cross-sectional view taken along the line 8-8 in FIG. 3.

FIG. 9 is a cross-sectional view taken along the line 9-9 in FIG. 3.

FIG. 10 is a cross-sectional view taken along the line 10-10 in FIG. 7.

FIG. 11 is a cross-sectional view taken along the line 11-11 in FIG. 6; and,

FIG. 12 is a reference view showing use.

The portion of the article shown in broken lines is for the purpose of showing environmental structure only and forms no part of the claimed design.

1 Claim, 12 Drawing Sheets

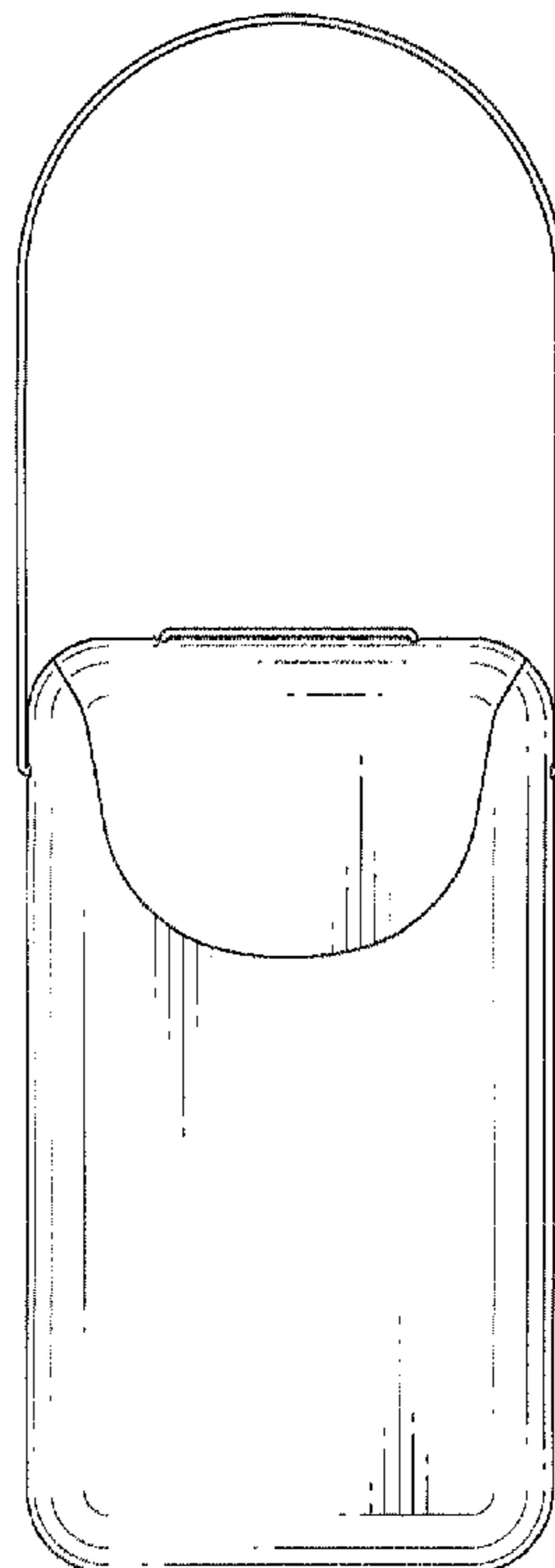


FIG. 1

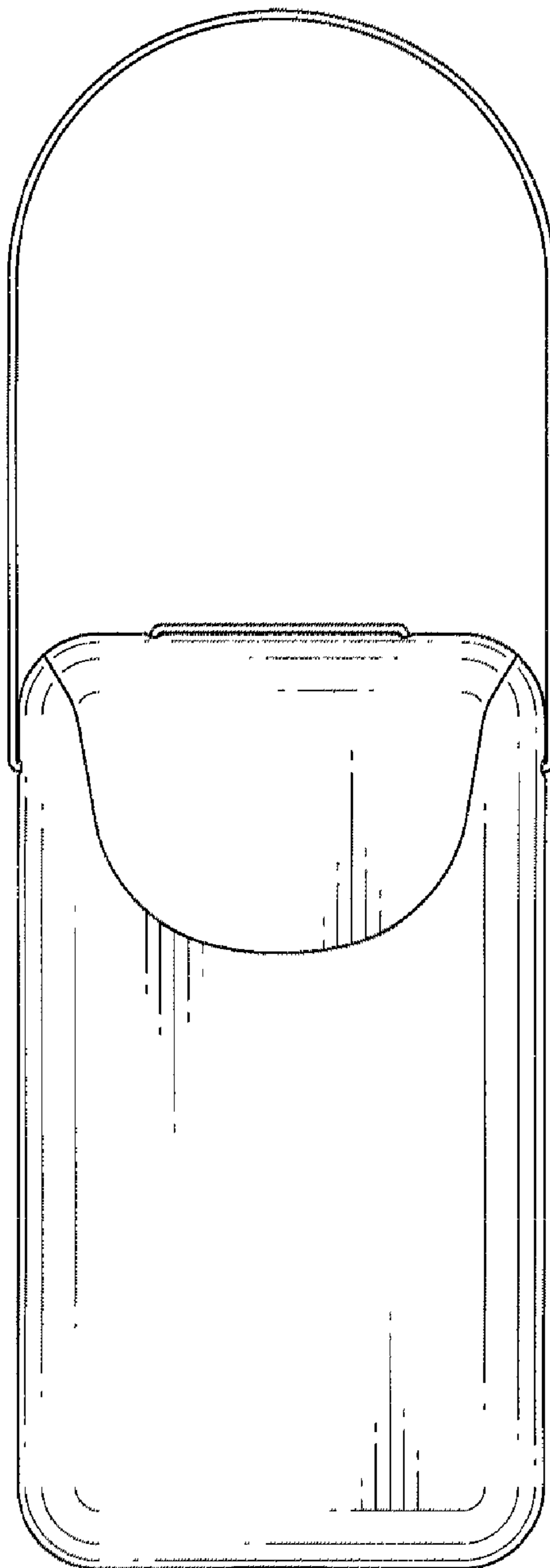


FIG. 2

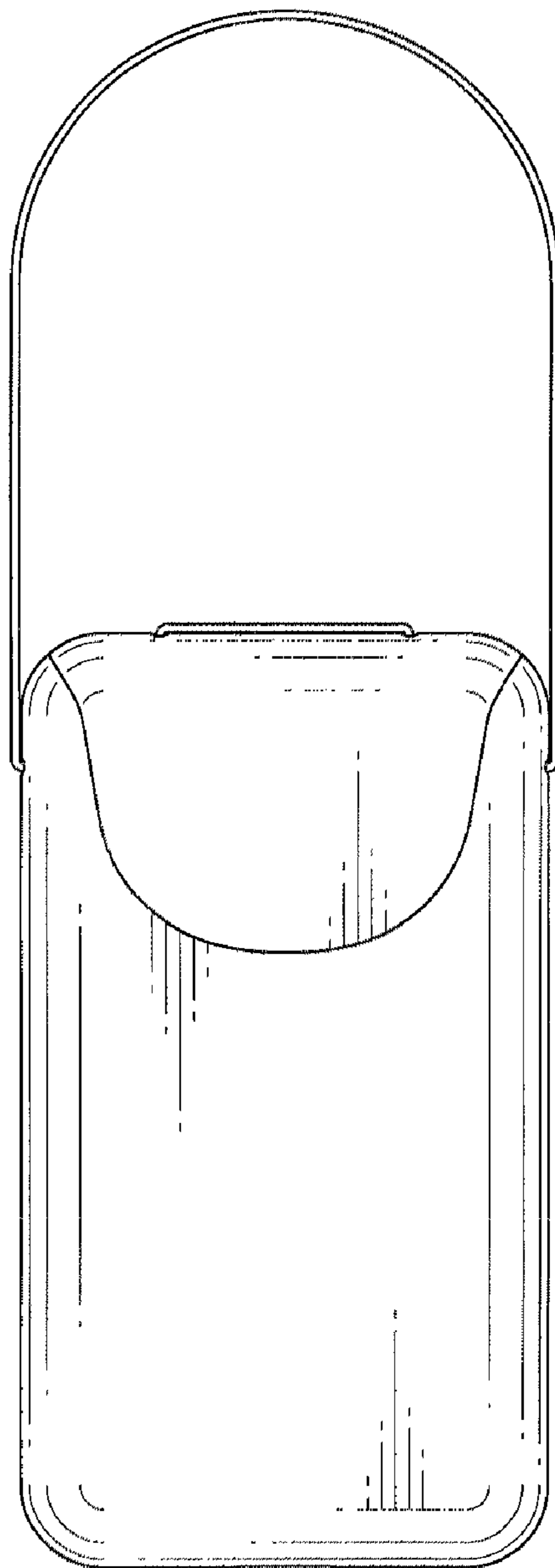


FIG. 3

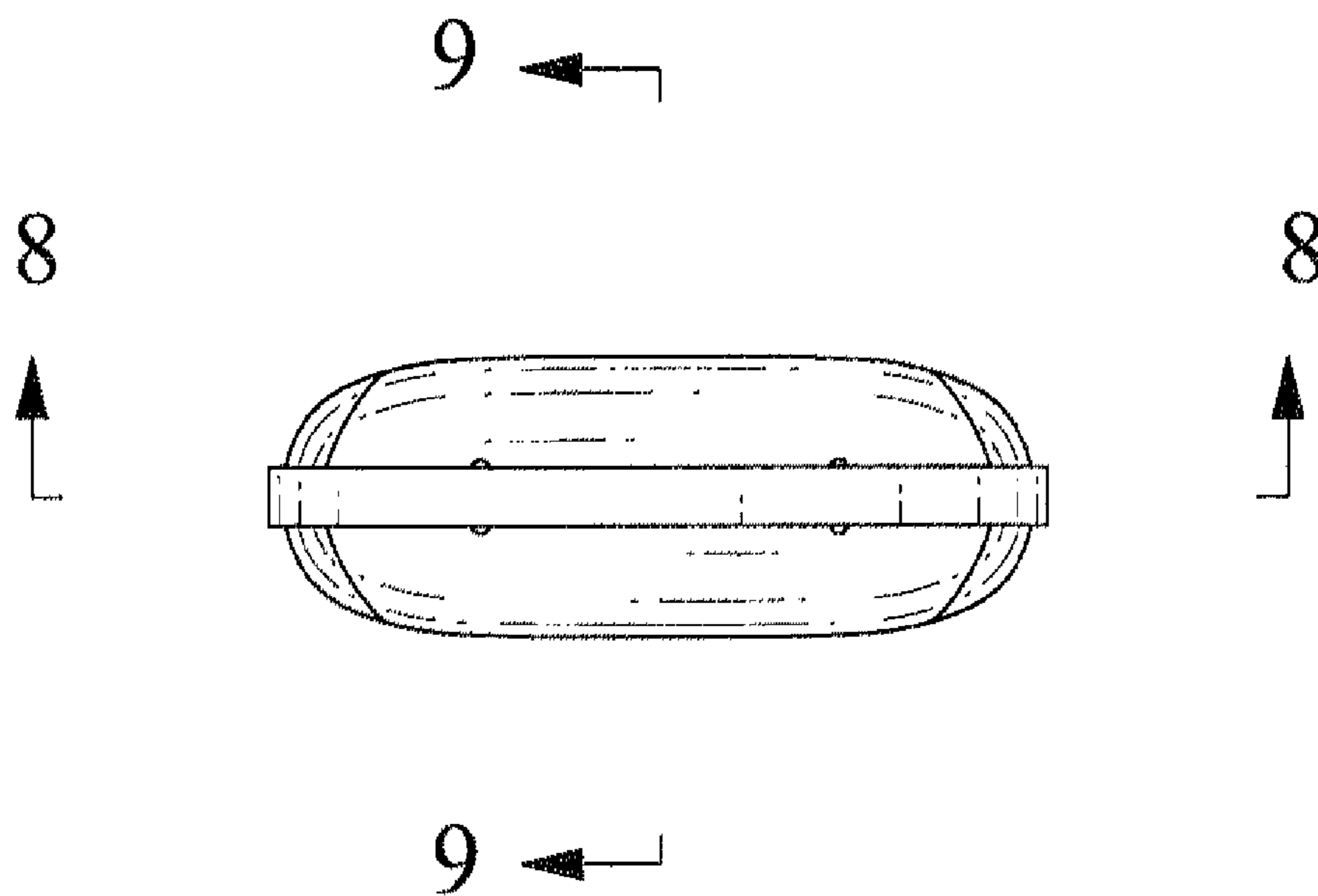


FIG. 4

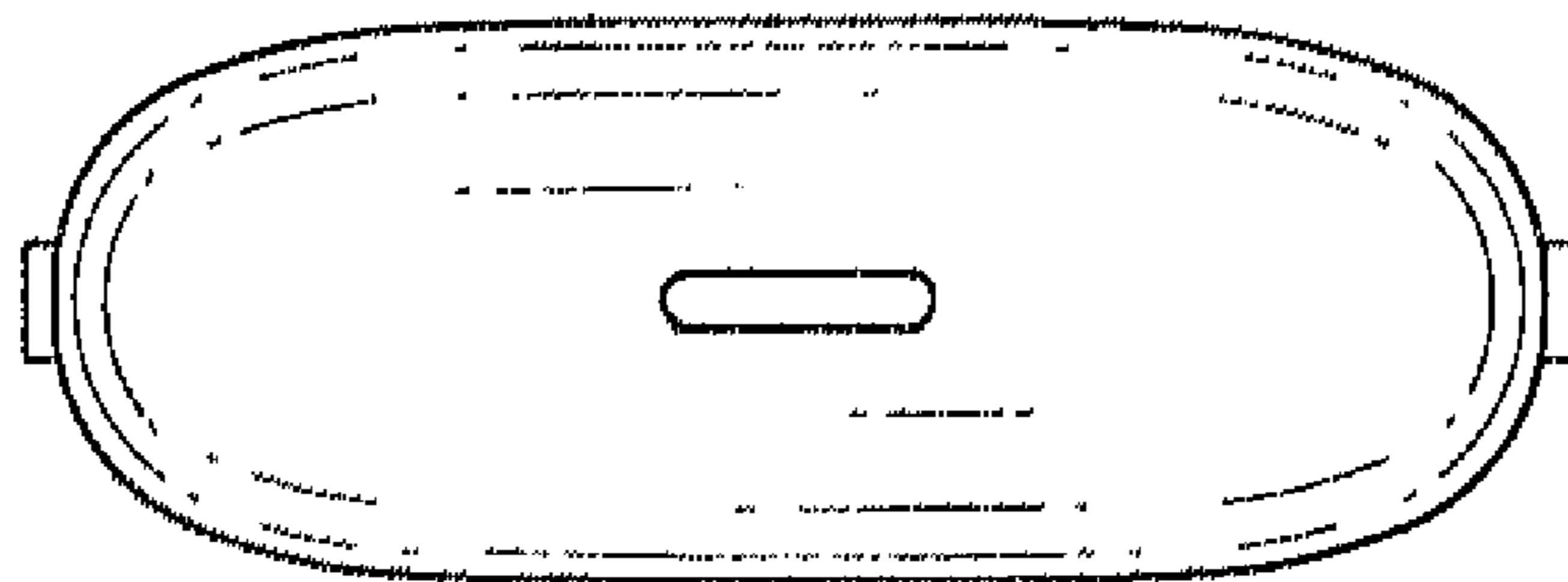


FIG. 5

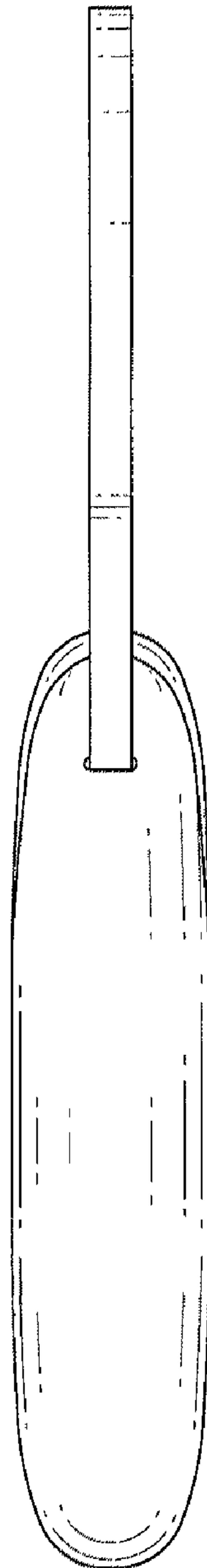


FIG. 6

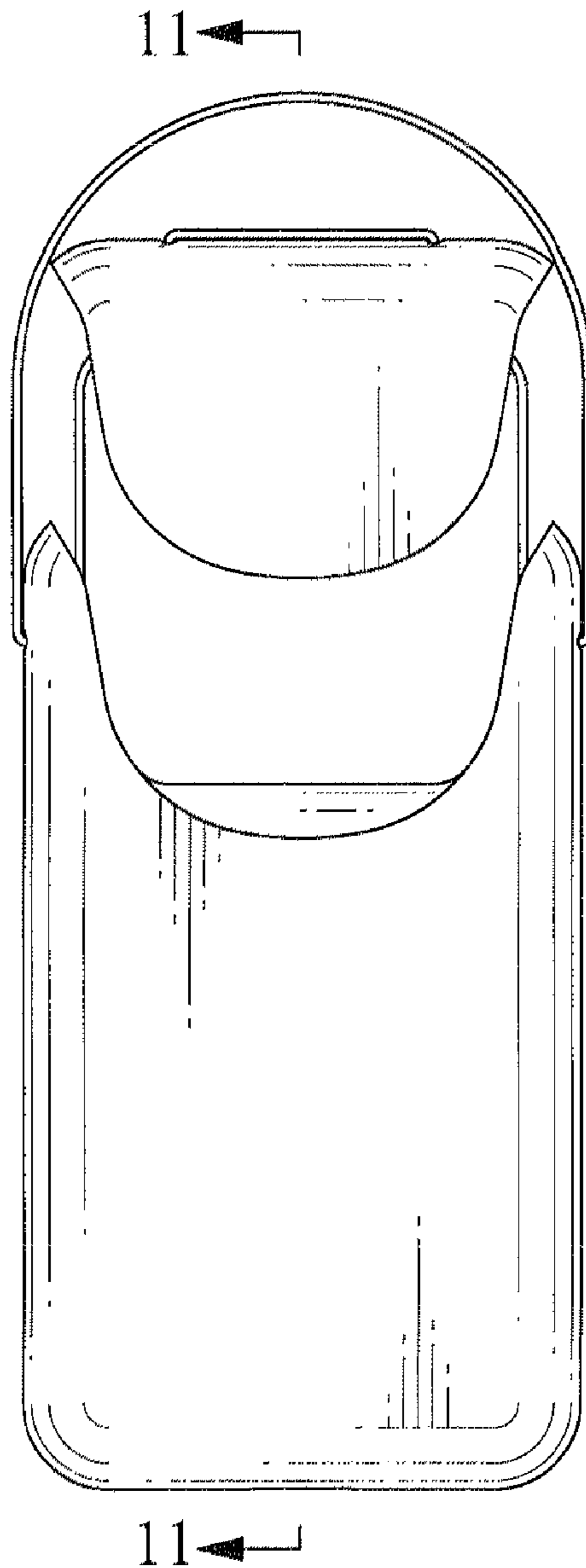


FIG. 7

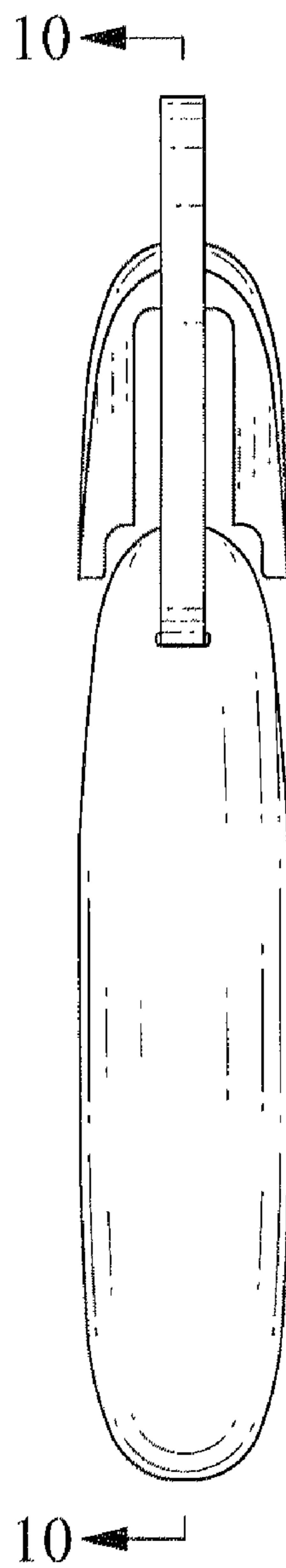


FIG. 8

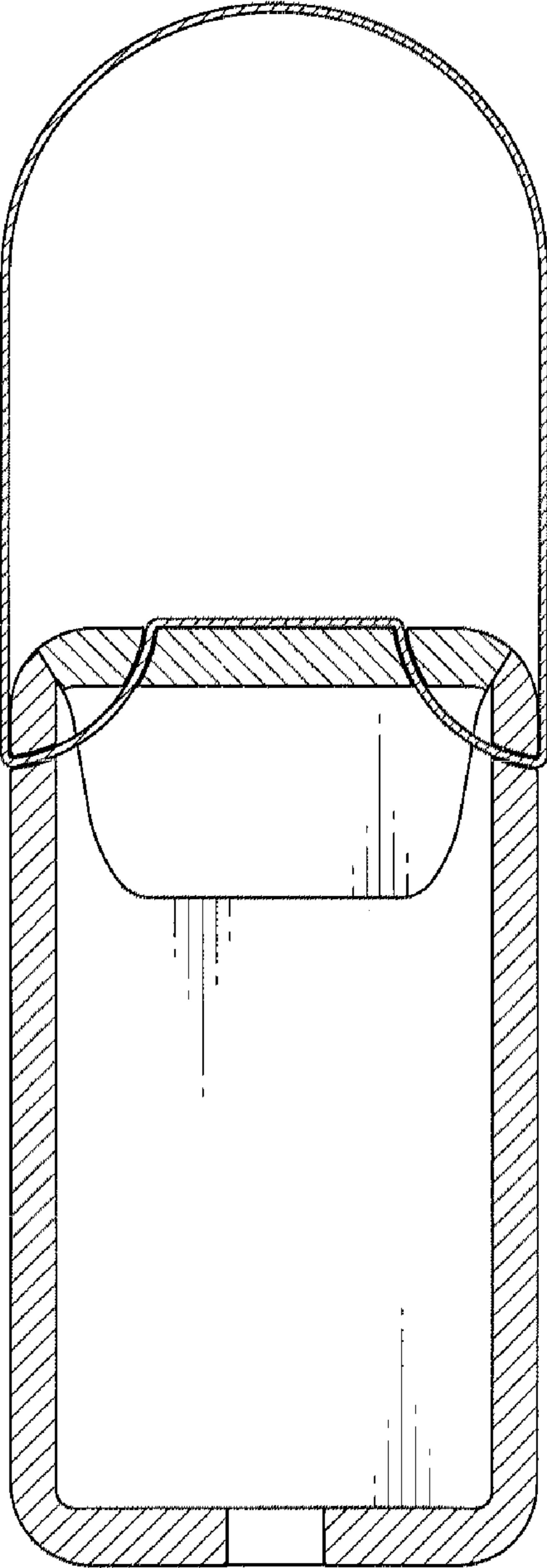


FIG. 9

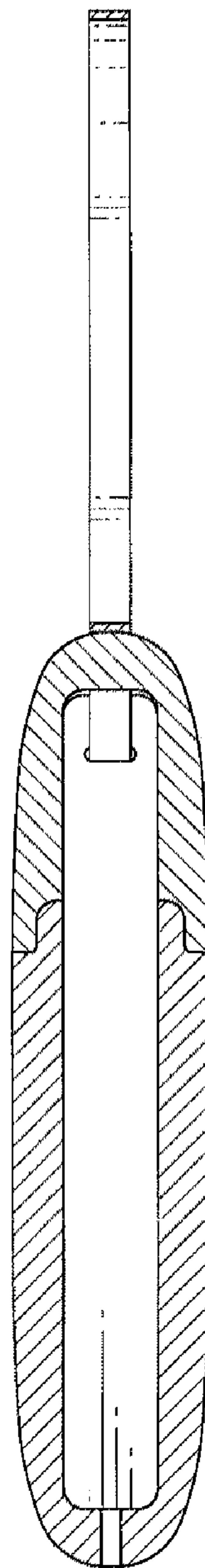


FIG. 10

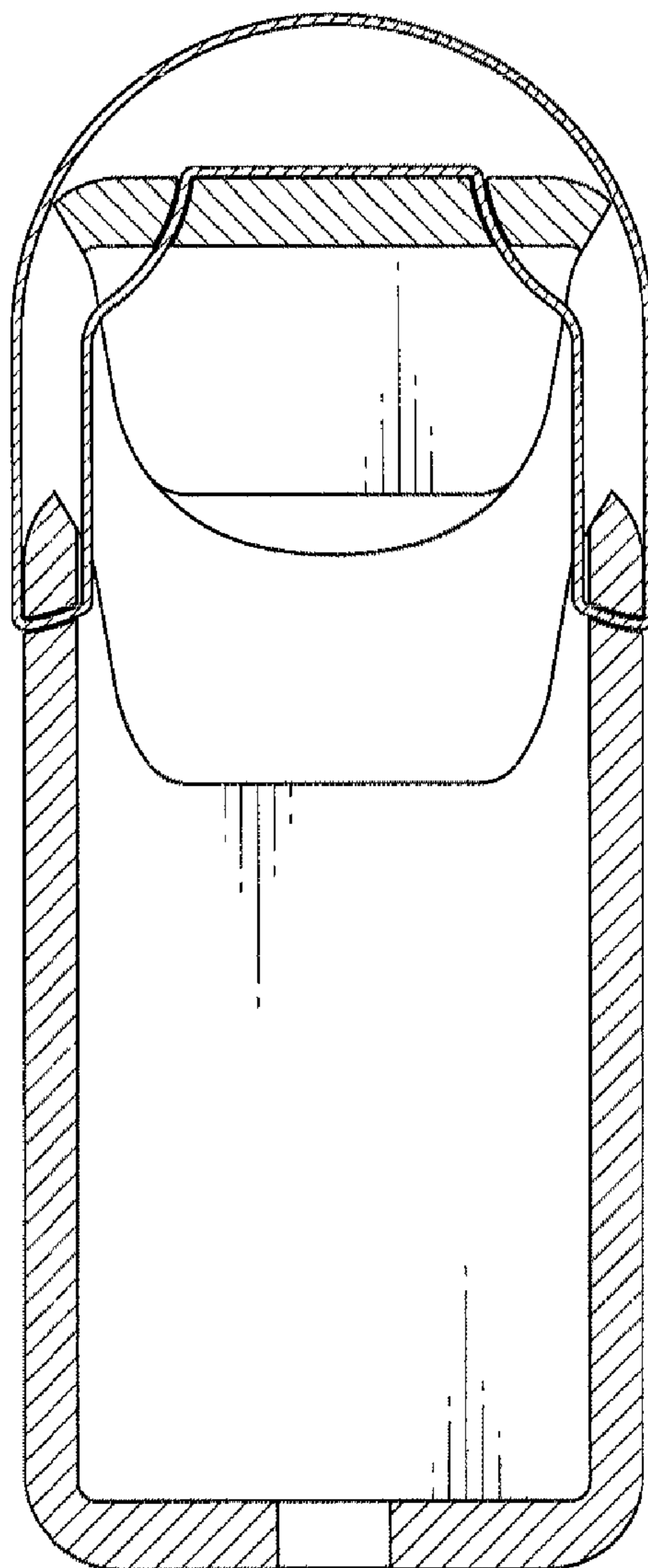


FIG. 11

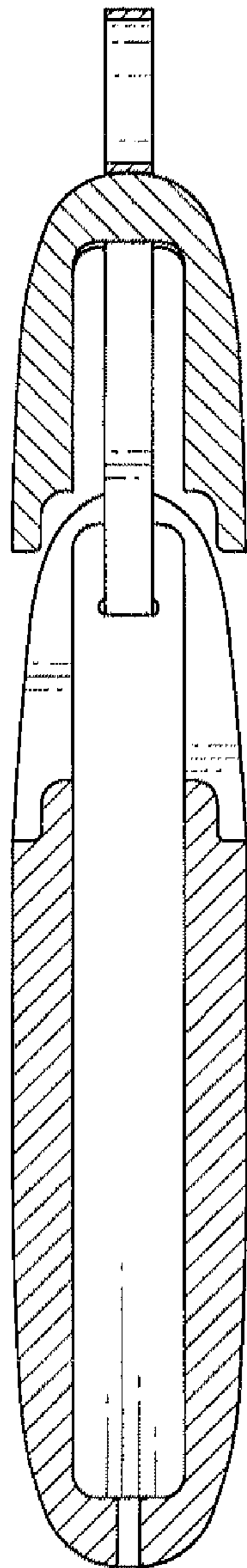


FIG. 12

