



US00D663947S

(12) **United States Design Patent**
Jertson

(10) **Patent No.:** **US D663,947 S**
(45) **Date of Patent:** **** *Jul. 24, 2012**

(54) **PORTABLE ELECTRONIC DEVICE HOLDER**

(75) Inventor: **Marty R. Jertson**, Phoenix, AZ (US)

(73) Assignee: **Karsten Manufacturing Corporation**,
Phoenix, AZ (US)

(*) Notice: This patent is subject to a terminal disclaimer.

(**) Term: **14 Years**

(21) Appl. No.: **29/391,647**

(22) Filed: **May 11, 2011**

(51) **LOC (9) Cl.** **03-01**

(52) **U.S. Cl.** **D3/218**

(58) **Field of Classification Search** D3/218,
D3/215, 219, 224, 226, 201, 269; 224/240–241,
224/676–681, 674, 578, 196, 269, 666, 930,
224/640, 646; 379/446, 455; D14/250–251,
D14/253, 138; 455/575.1, 575.8; 206/305,
206/320

See application file for complete search history.

(56) **References Cited**

U.S. PATENT DOCUMENTS

D150,821 S 9/1948 Bianchi
D168,491 S 12/1952 Alvarez

(Continued)

OTHER PUBLICATIONS

Marty R. Jertson, "Portable Electronic Device Holder," U.S. Appl. No. 29/391,657, Filed May 11, 2011.

Primary Examiner — Catheri Oliver

(57) **CLAIM**

The ornamental design for a portable electronic device holder, as shown and described.

DESCRIPTION

FIG. 1 is a perspective front view of a portable electronic device holder in one embodiment;

FIG. 2 is a perspective rear view of the portable electronic device holder of FIG. 1;

FIG. 3 is a front view of the portable electronic device holder of FIG. 1;

FIG. 4 is a rear view of the portable electronic device holder of FIG. 1;

FIG. 5 is a top plan view of the portable electronic device holder of FIG. 1;

FIG. 6 is a bottom plan view of the portable electronic device holder of FIG. 1;

FIG. 7 is a side view of the portable electronic device holder of FIG. 1 taken from the left in FIG. 3;

FIG. 8 is a side view of the portable electronic device holder of FIG. 1 taken from the right in FIG. 3;

FIG. 9 is a perspective front view of a portable electronic device holder in another embodiment;

FIG. 10 is a perspective rear view of the portable electronic device holder of FIG. 9;

FIG. 11 is a front view of the portable electronic device holder of FIG. 9;

FIG. 12 is a rear view of the portable electronic device holder of FIG. 9;

FIG. 13 is a top plan view of the portable electronic device holder of FIG. 9;

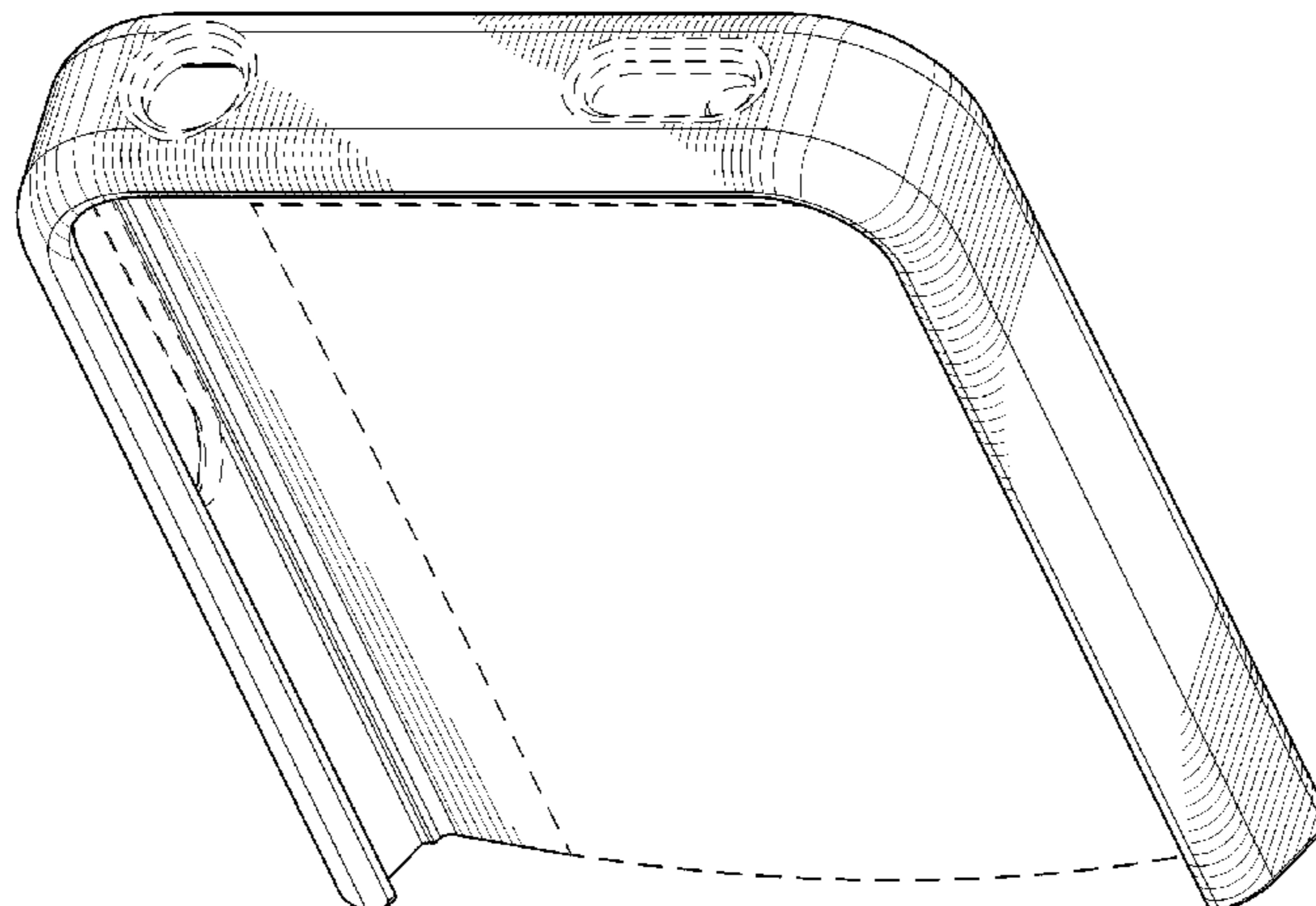
FIG. 14 is a bottom plan view of the portable electronic device holder of FIG. 9;

FIG. 15 is a side view of the portable electronic device holder of FIG. 9 taken from the left in FIG. 11; and,

FIG. 16 is a side view of the portable electronic device holder of FIG. 9 taken from the right in FIG. 11.

The broken lines shown in one or more of the figures are for illustrative purposes only and form no part of the claimed design.

1 Claim, 10 Drawing Sheets



US D663,947 S

Page 2

U.S. PATENT DOCUMENTS

2,819,858 A	1/1958	Mittendorf		D508,605 S	8/2005	Hwang	
2,986,937 A	6/1961	Chapman		D516,026 S	2/2006	Barrett	
3,021,396 A	2/1962	Nagel		D523,512 S	6/2006	Rydzynski	
4,168,068 A	9/1979	Grover		D531,019 S	10/2006	Plumer	
4,789,160 A	12/1988	Dollar, Jr.		D543,541 S *	5/2007	Chung et al.	D3/269
D306,056 S	2/1990	Tucker		D548,457 S	8/2007	Reinerio	
D308,870 S	6/1990	Rioux, Jr.		D556,681 S	12/2007	Kim	
D312,534 S	12/1990	Nelson		D565,290 S	4/2008	Brandenburg	
4,998,277 A	3/1991	Rioux, Jr.		D565,291 S	4/2008	Brandenburg	
D326,927 S	6/1992	Catalina		D575,056 S	8/2008	Tan	
D328,302 S	7/1992	Murzanski		D582,149 S	12/2008	Tan	
D329,749 S	9/1992	Scheid		7,546,153 B2	6/2009	Kang	
5,188,327 A	2/1993	White		D603,603 S	11/2009	Laine	
D346,275 S	4/1994	Hayasaka		7,612,997 B1	11/2009	Diebel	
5,332,090 A	7/1994	Tucker		D609,463 S	2/2010	Bullen	
D350,351 S	9/1994	Nakamura		D609,464 S	2/2010	Bullen	
D365,927 S	1/1996	Cho		D610,579 S	2/2010	Behar	
D366,957 S	2/1996	Scheid		D616,361 S	5/2010	Huang	
D390,699 S	2/1998	Goldenberg		D622,716 S	8/2010	Andre	
D392,097 S	3/1998	Pottala		7,778,023 B1	8/2010	Mohoney	
5,871,189 A	2/1999	Hoftman		D623,180 S	9/2010	Diebel	
5,911,635 A	6/1999	Ogden		D623,640 S	9/2010	Freeman	
D425,907 S	5/2000	Frye		D624,064 S	9/2010	Esposito	
D432,404 S	10/2000	Garfinkle		D624,908 S	10/2010	Huskinson	
D451,915 S	12/2001	Dalmau		D624,909 S	10/2010	Huskinson	
D468,525 S	1/2003	Boyle		D626,539 S	11/2010	Brown	
6,602,145 B1	8/2003	Yeh		D626,540 S	11/2010	Brown	
6,607,450 B1	8/2003	Hackman		D635,555 S *	4/2011	Giles	D14/217
D480,558 S	10/2003	Ikeda		D637,393 S *	5/2011	Stampfli	D3/218
D499,546 S *	12/2004	Smithers	D3/218	D641,974 S *	7/2011	Stampfli	D3/218
D503,532 S	4/2005	Andre		2011/0000946 A1	1/2011	Stretcher	

* cited by examiner

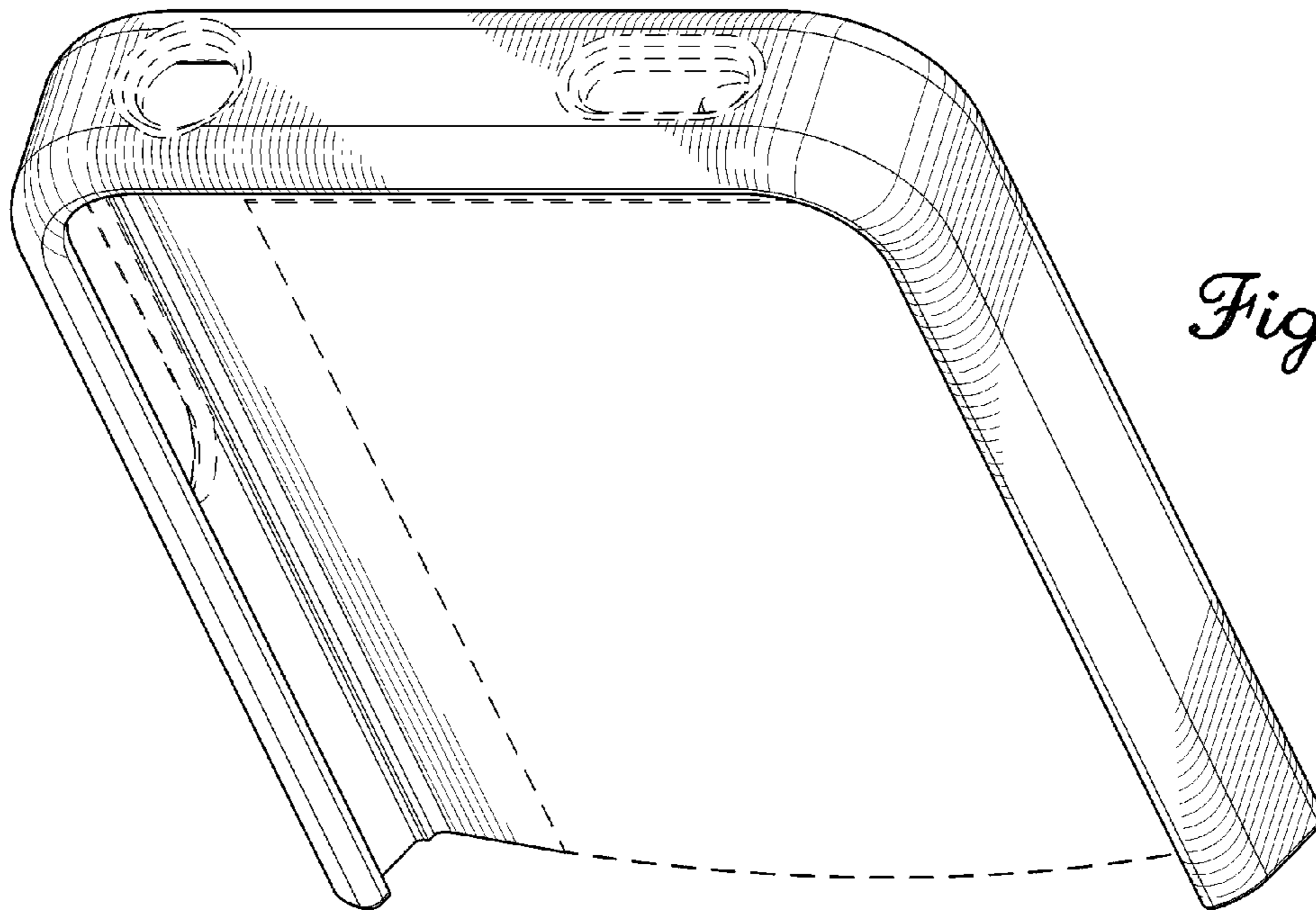


Fig. 1

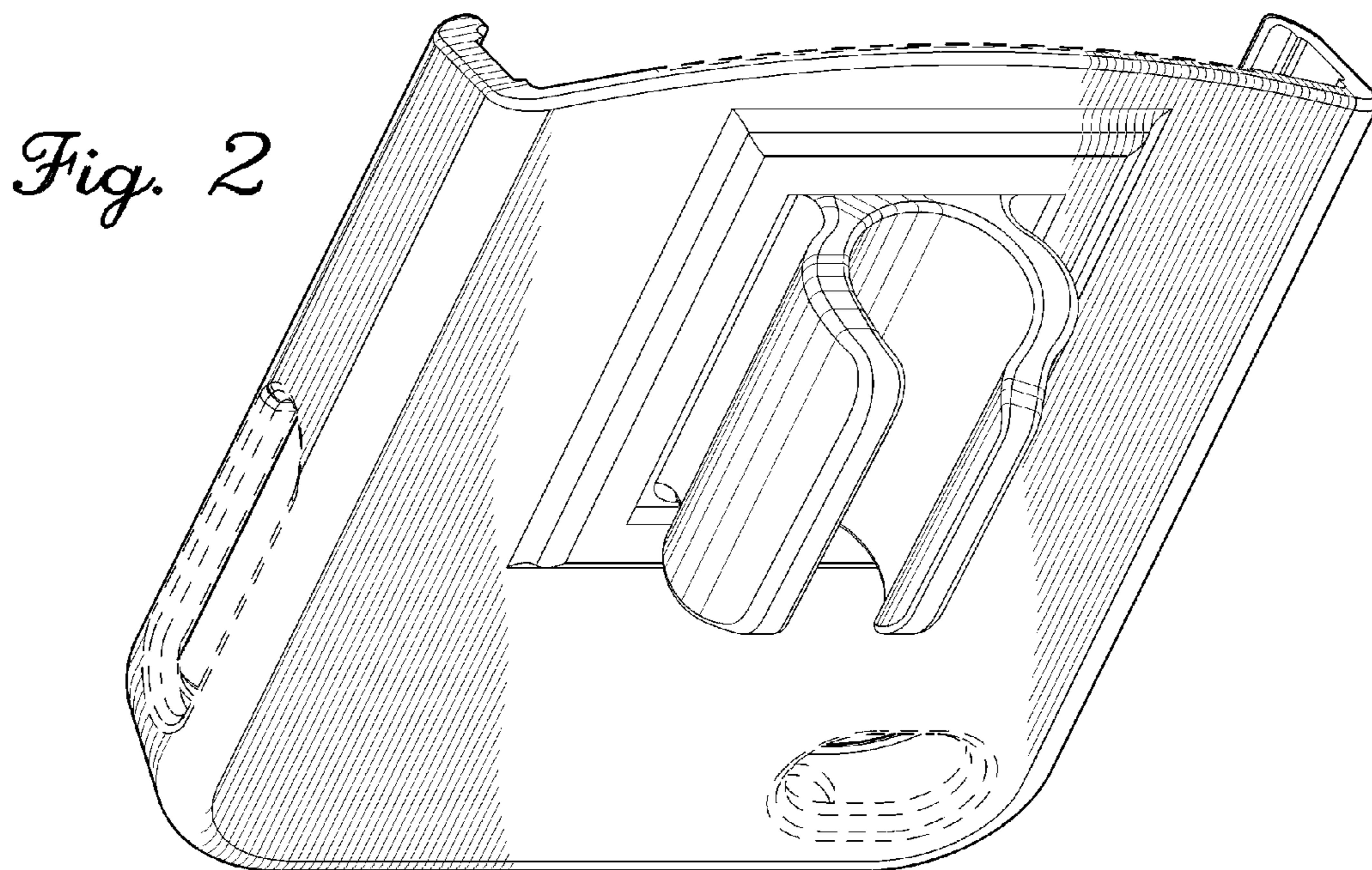


Fig. 2

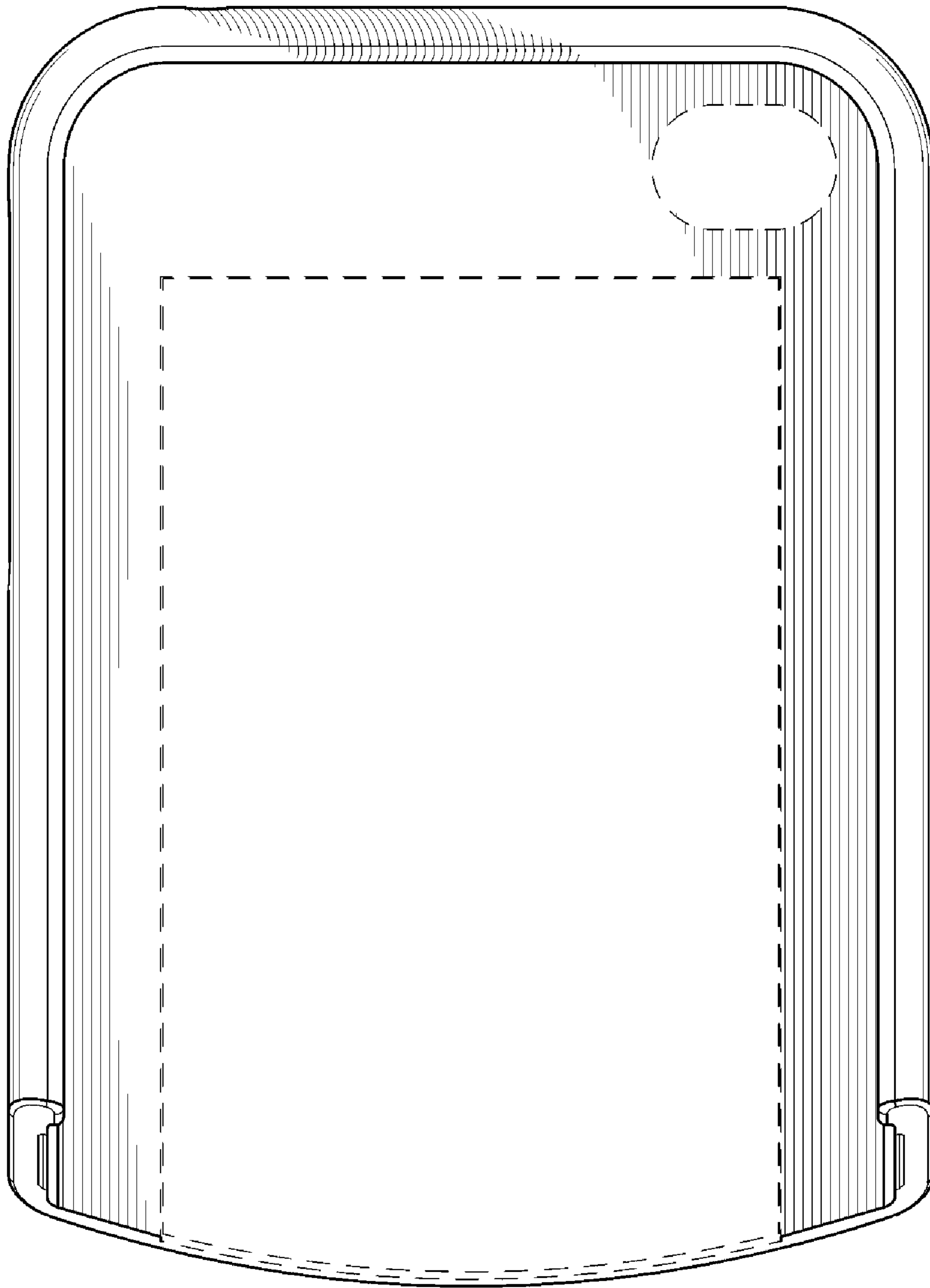


Fig. 3

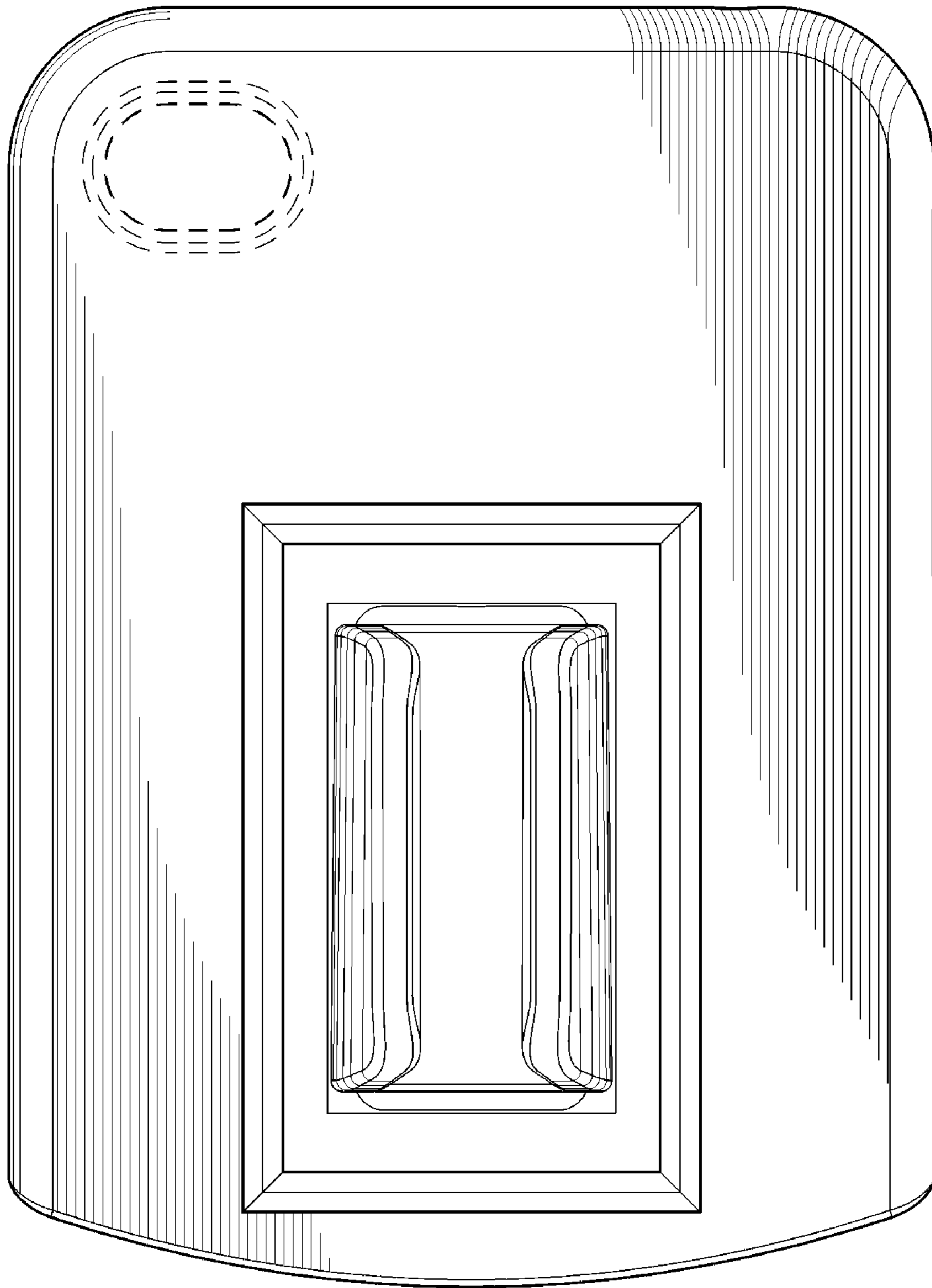


Fig. 4

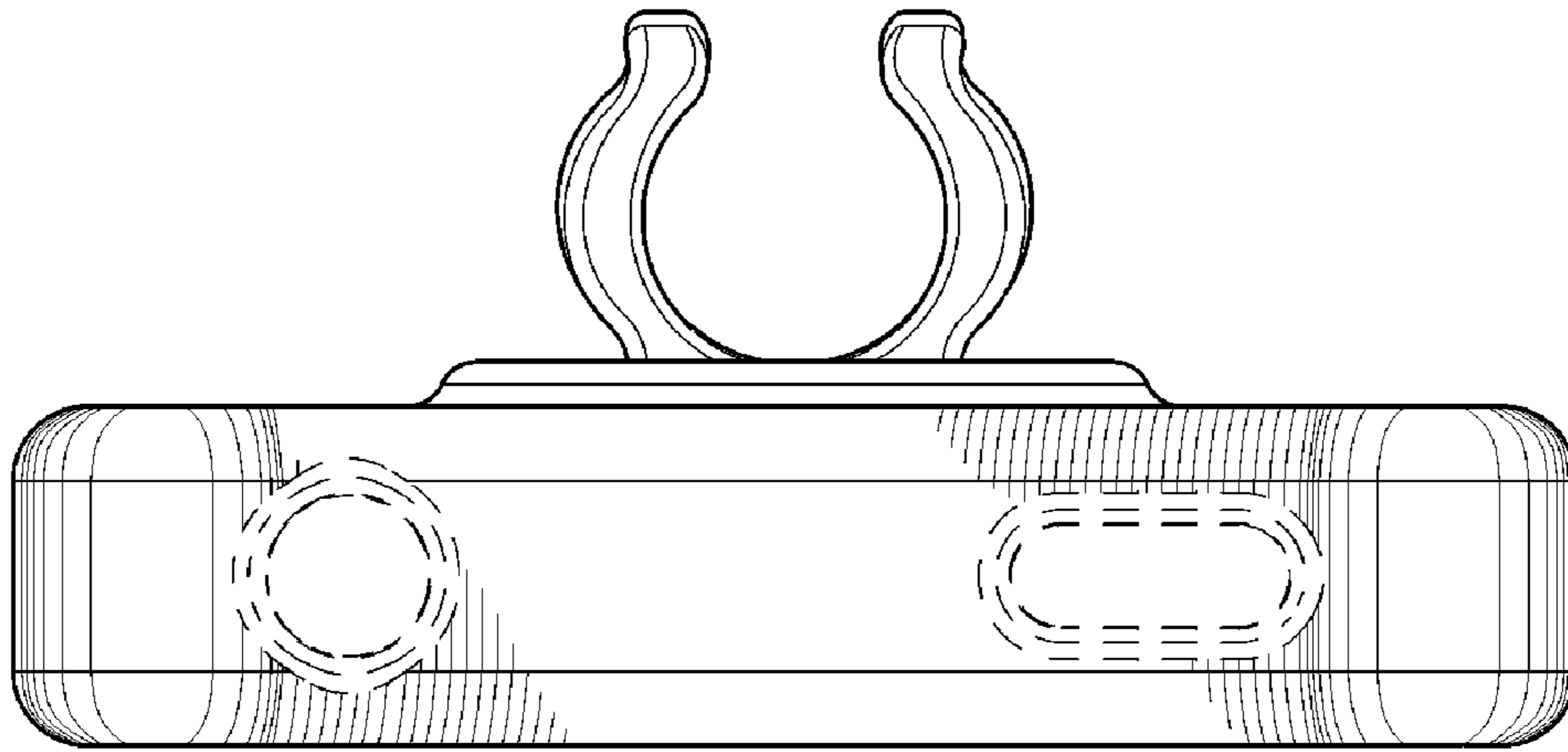


Fig. 5

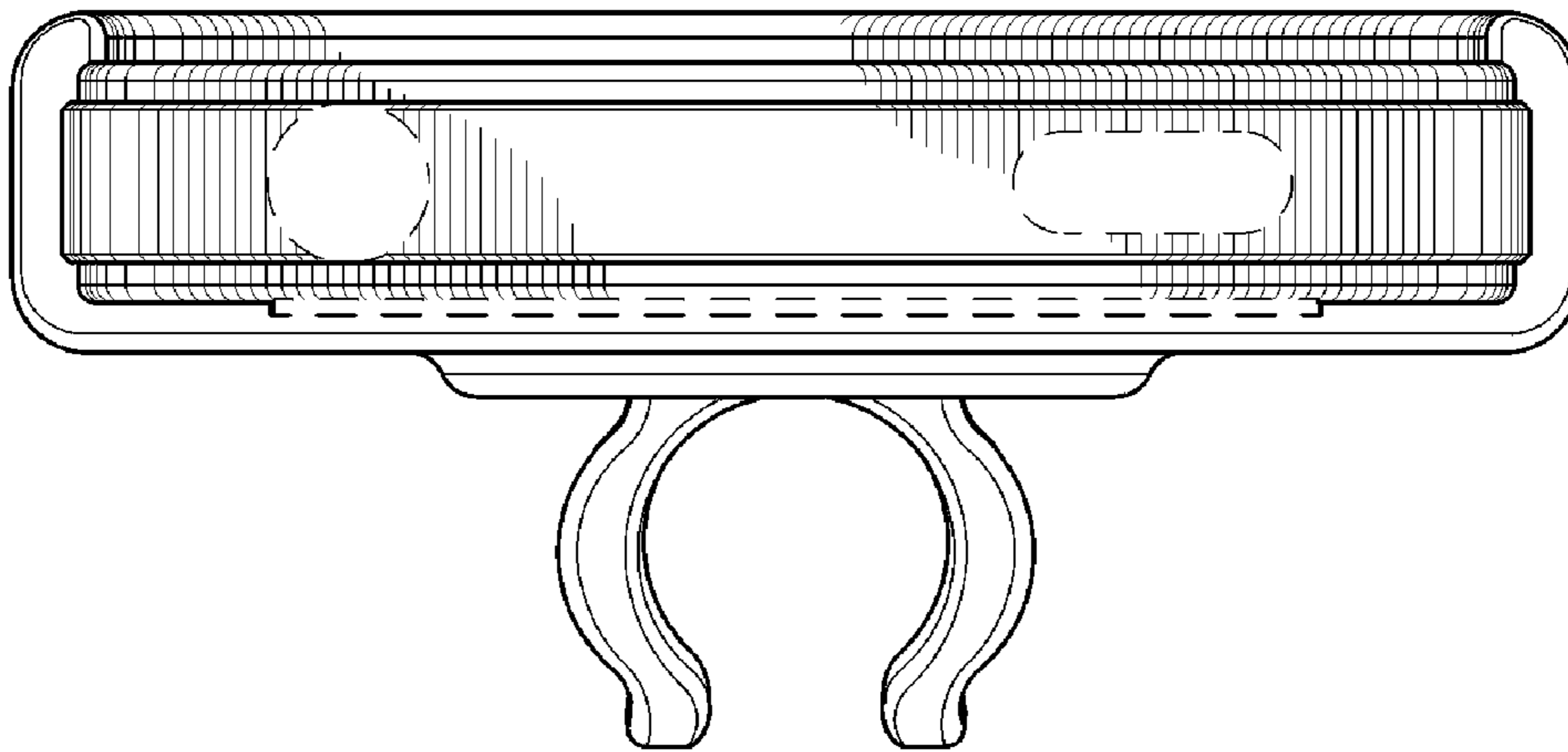


Fig. 6

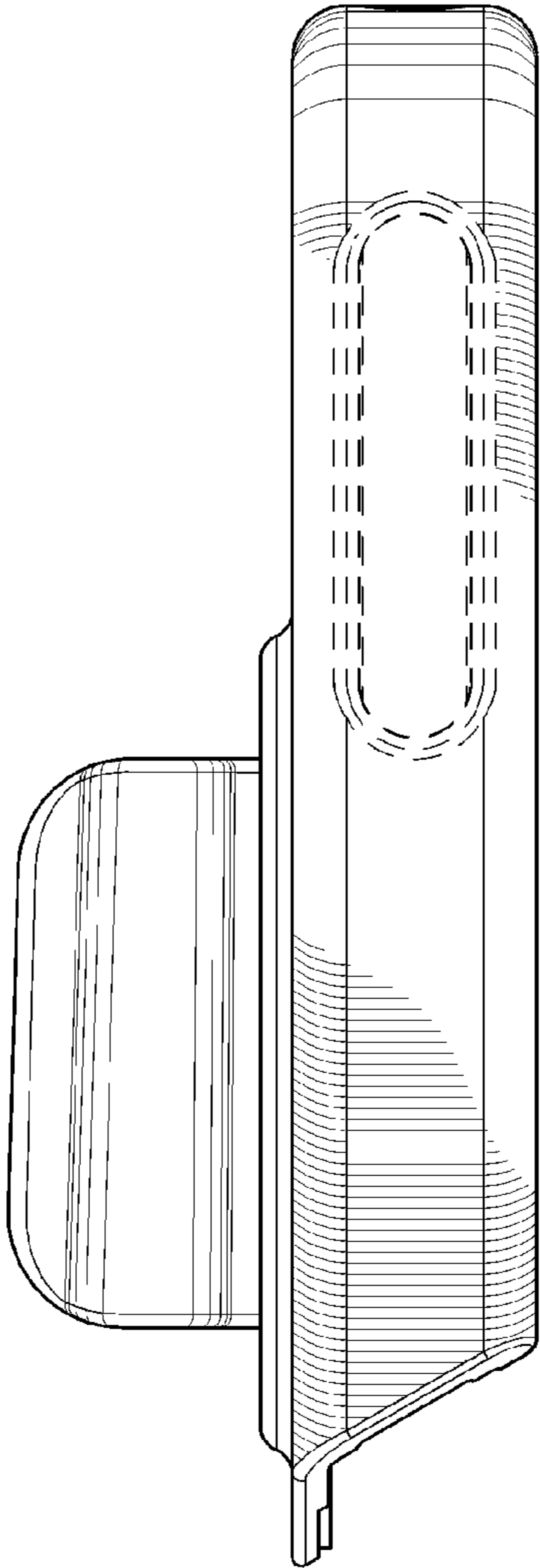


Fig. 7

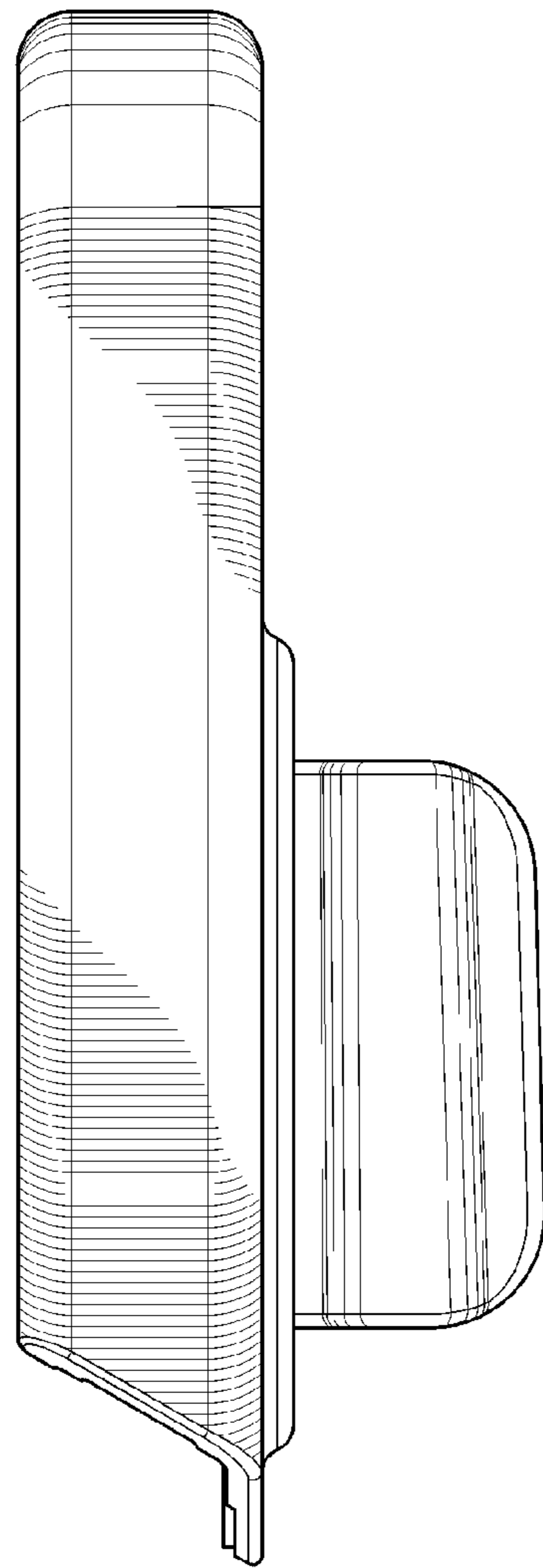


Fig. 8

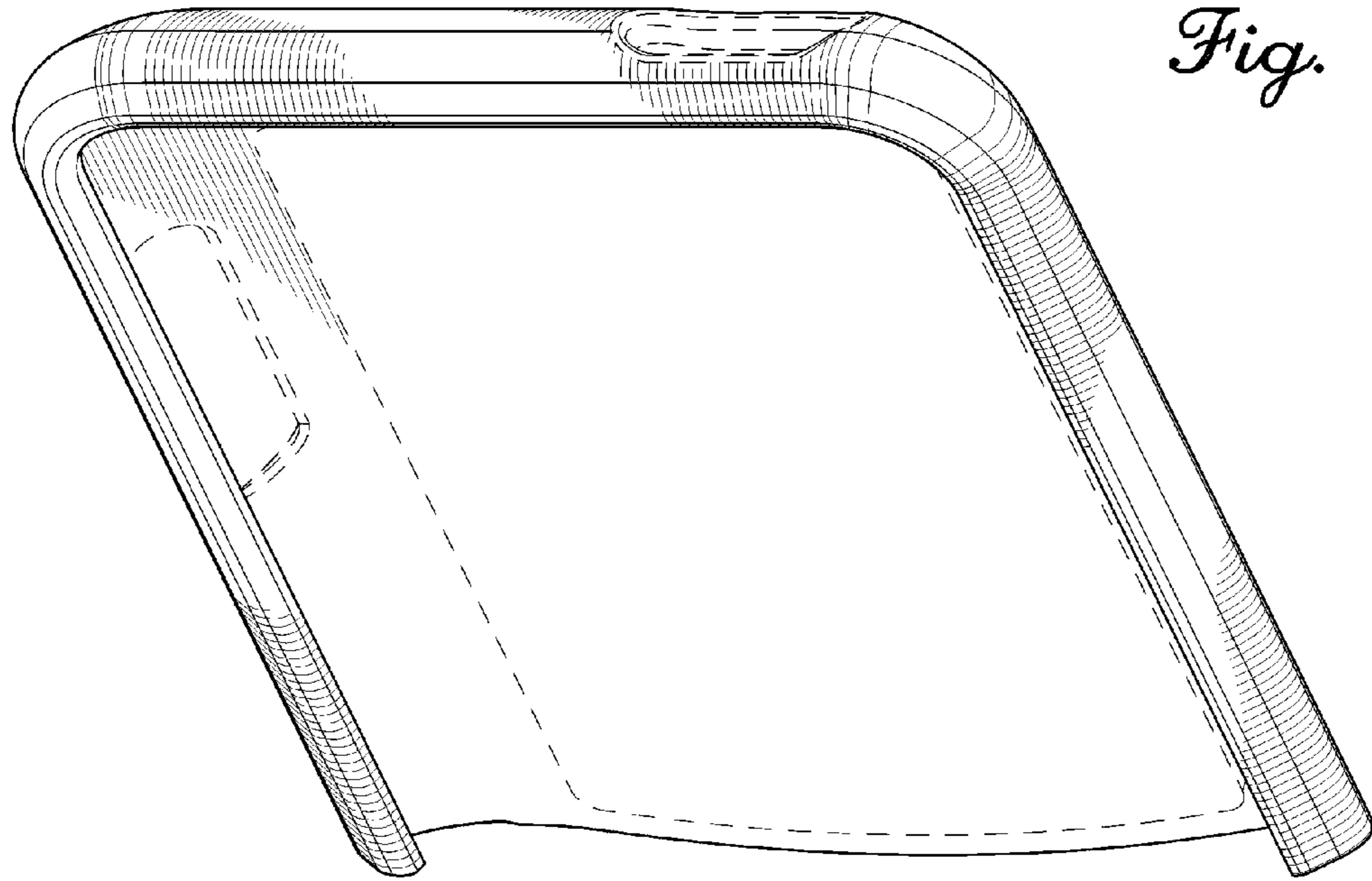
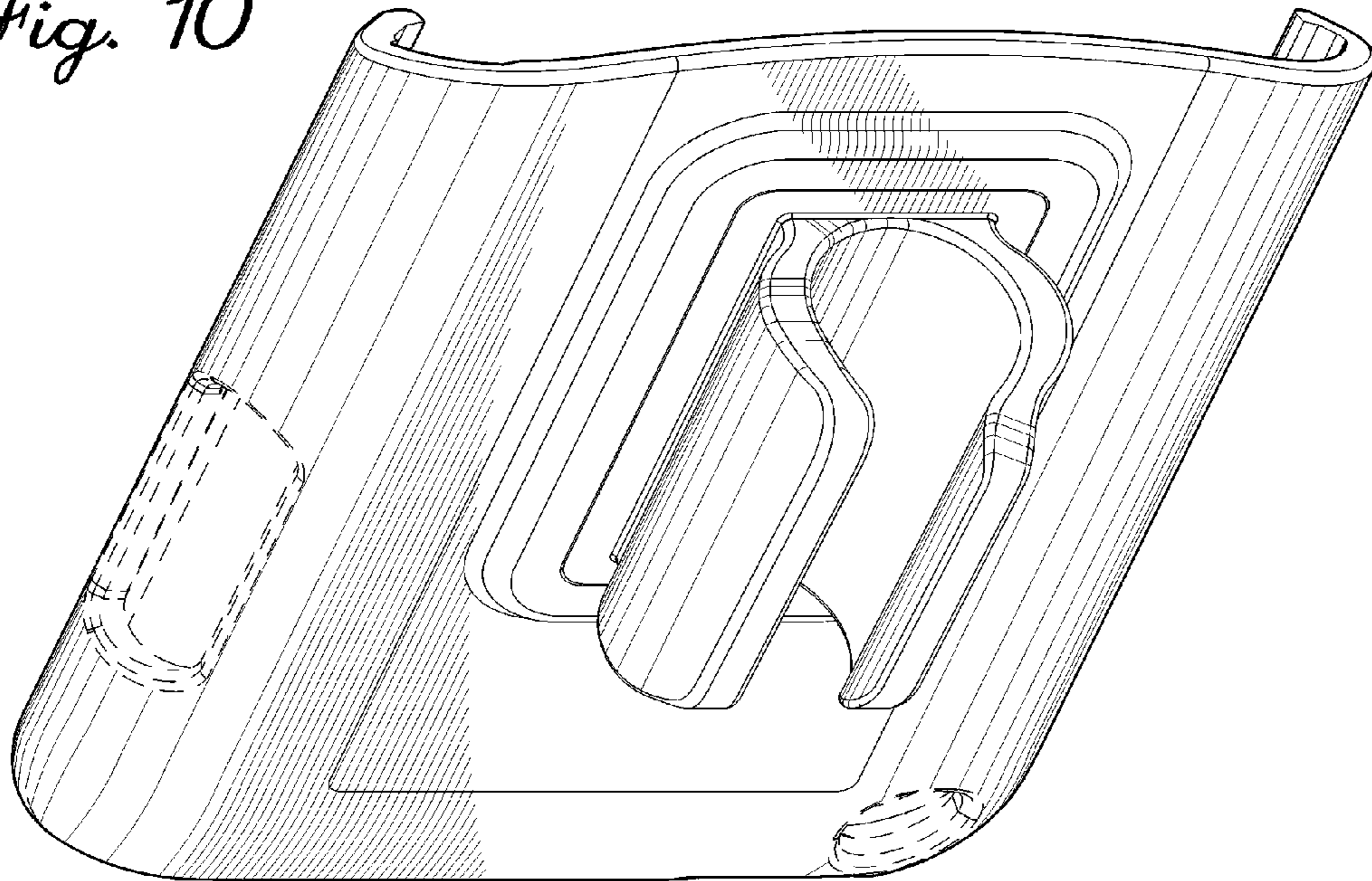


Fig. 9

Fig. 10



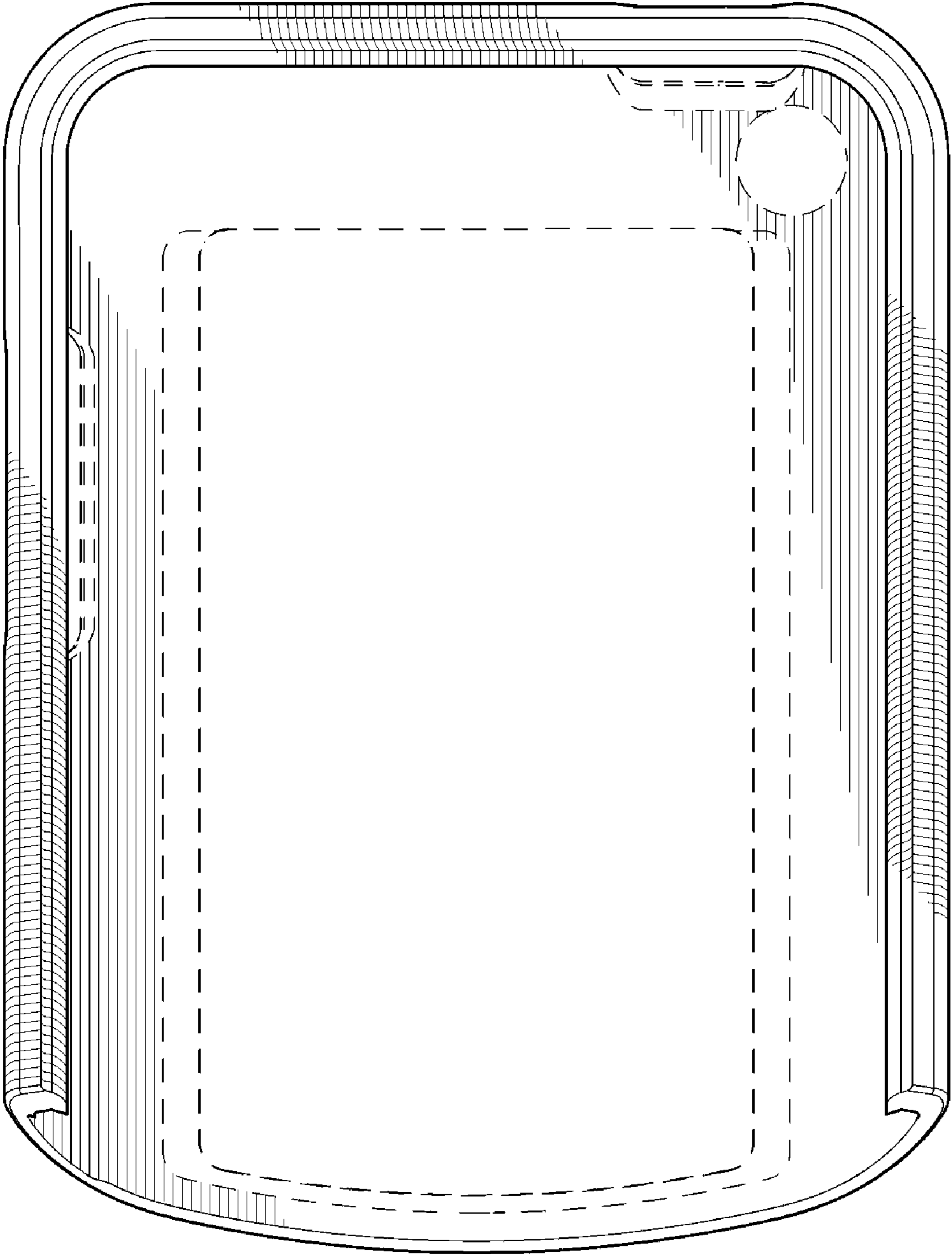


Fig. 11

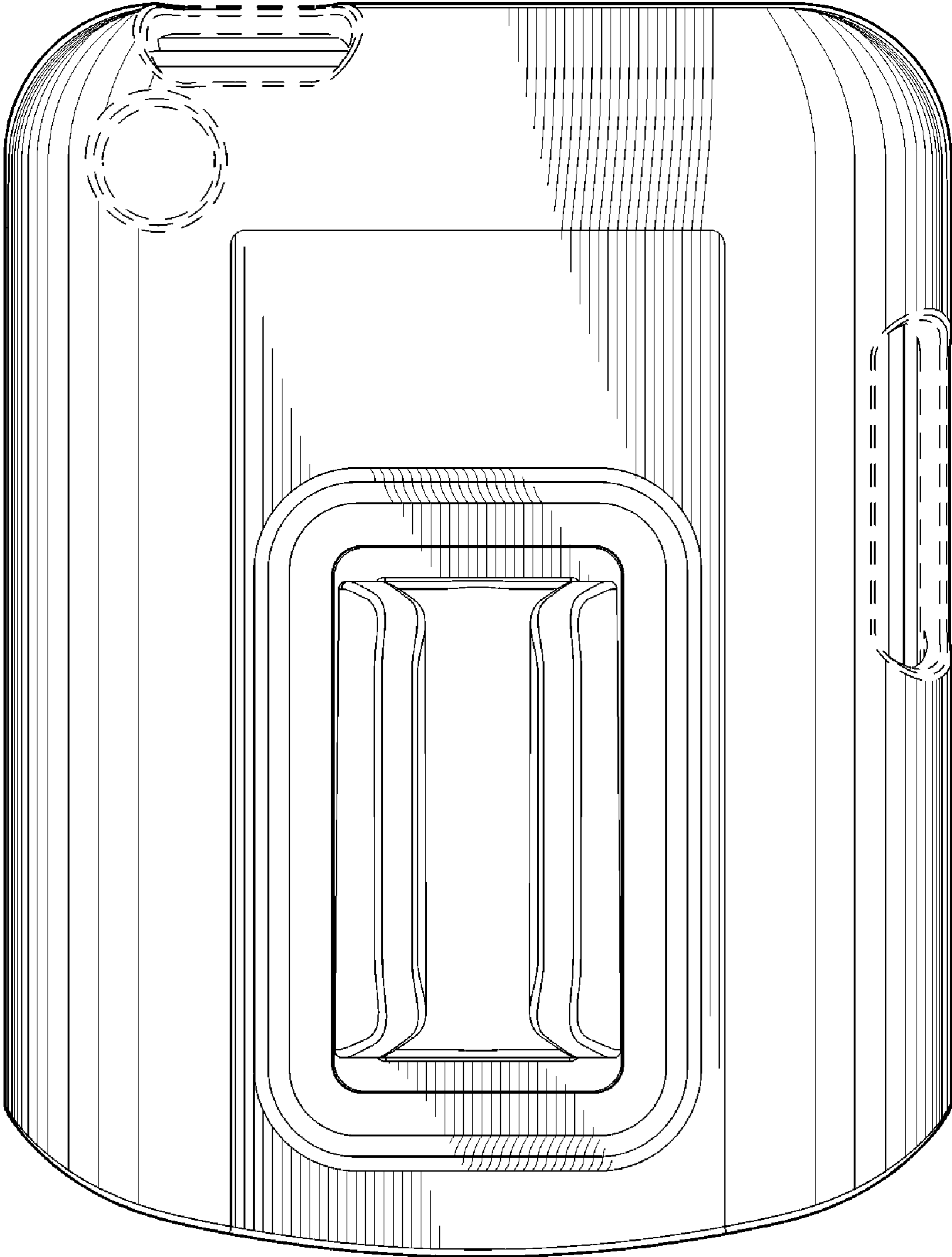


Fig. 12

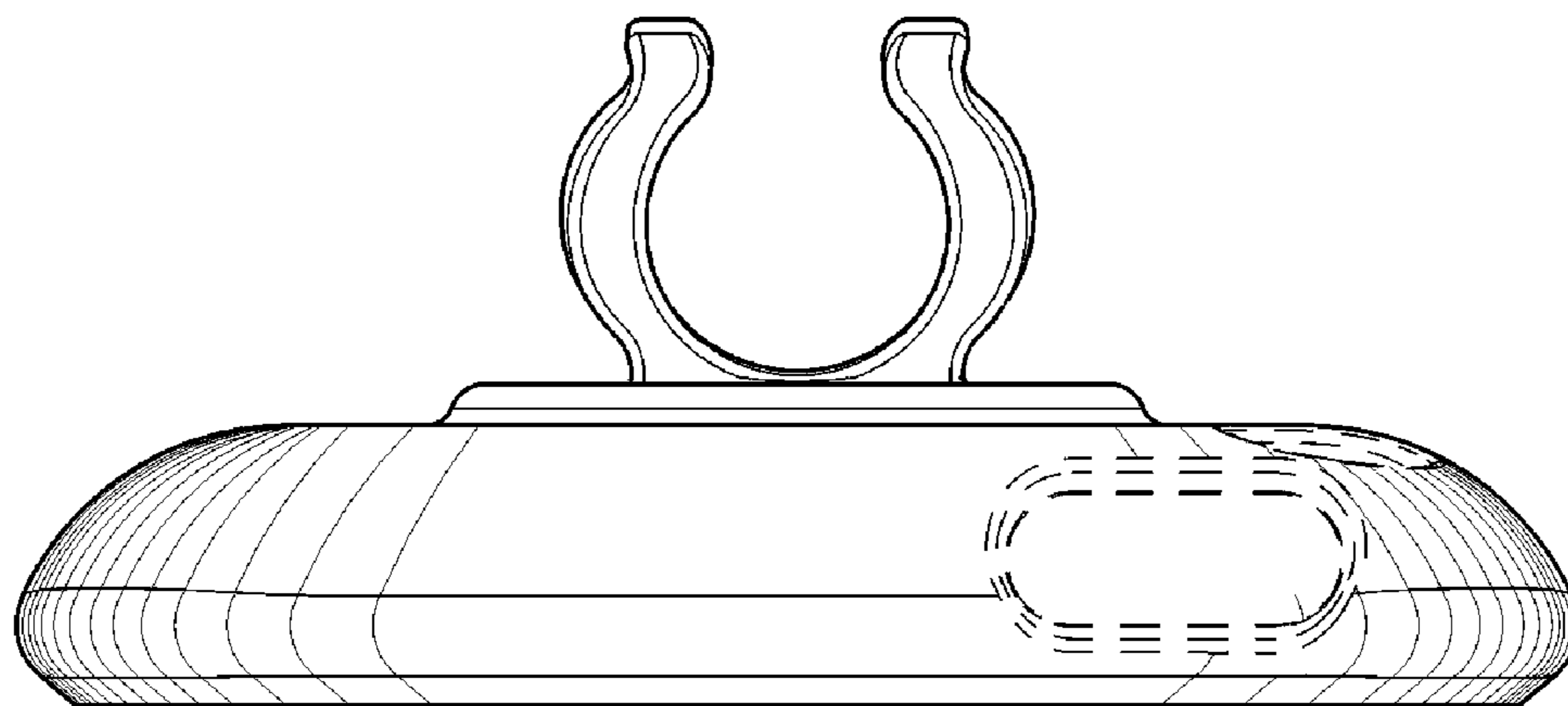


Fig. 13

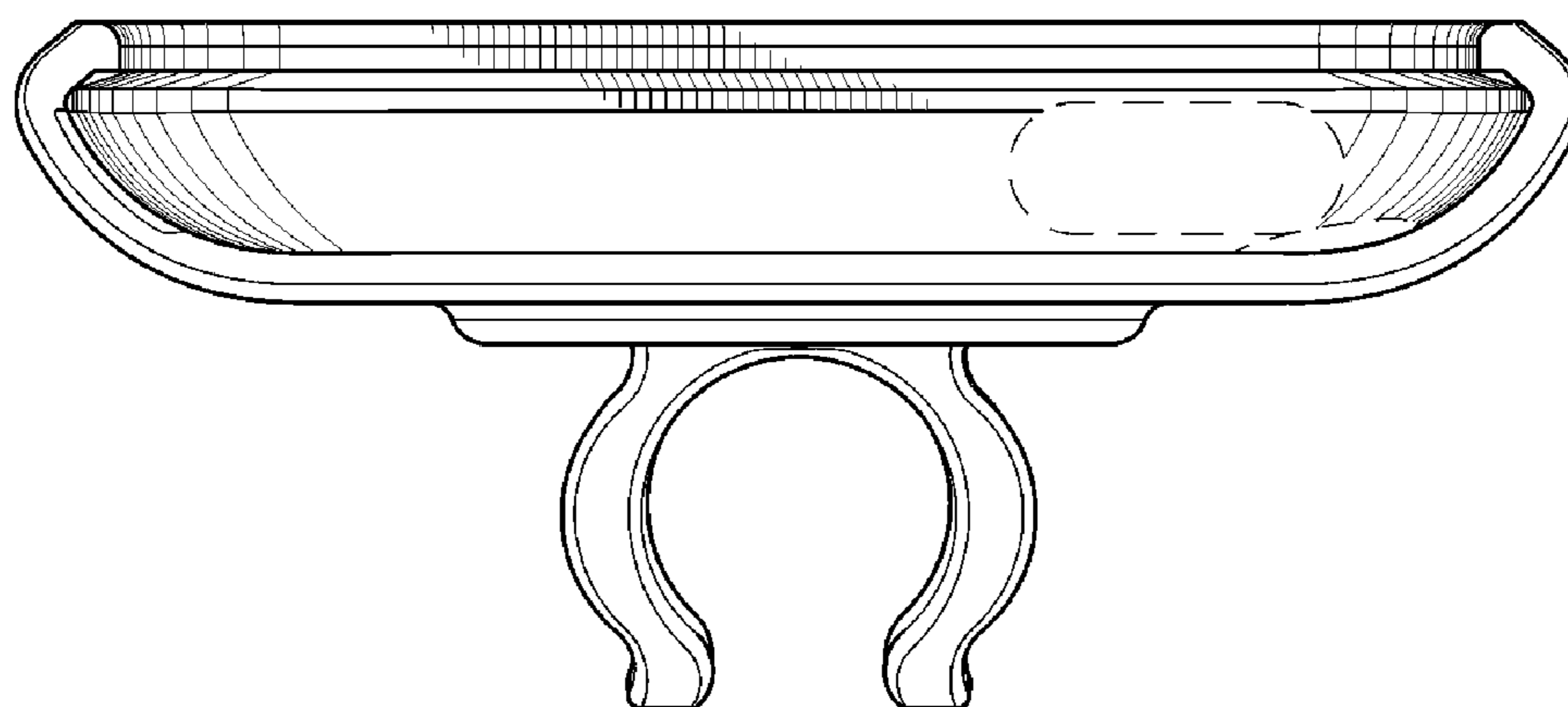


Fig. 14

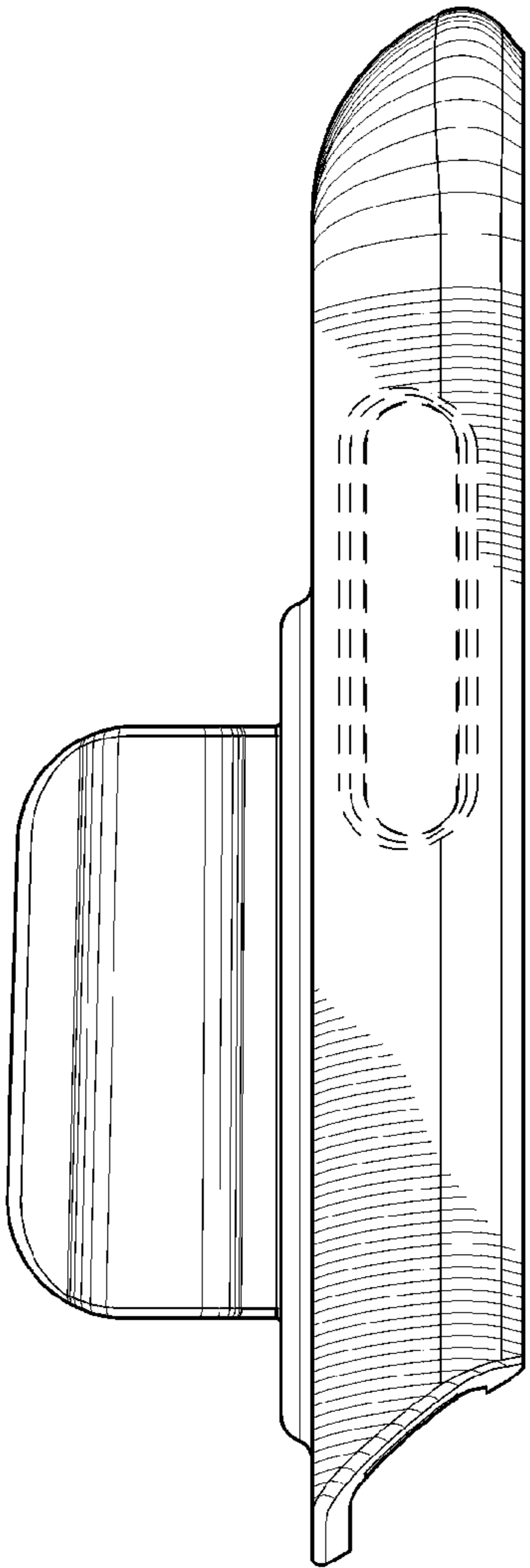


Fig. 15

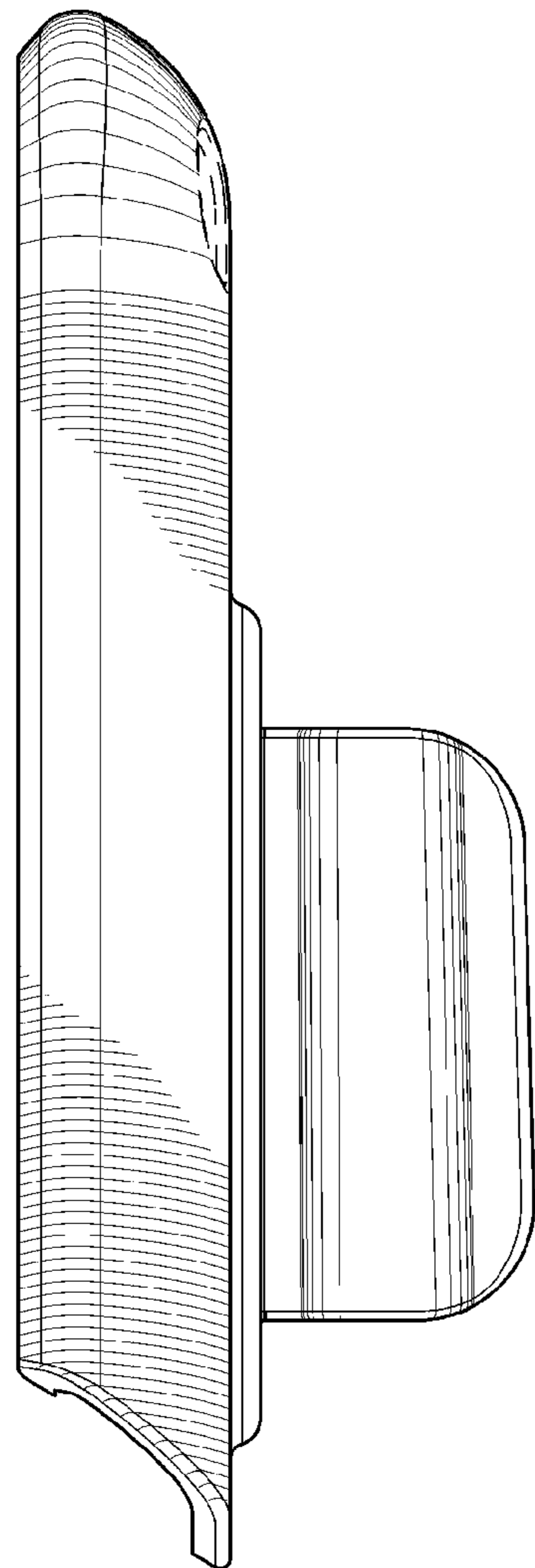


Fig. 16