



US00D663943S

(12) **United States Design Patent**
Walsh et al.

(10) **Patent No.:** **US D663,943 S**
(45) **Date of Patent:** **** Jul. 24, 2012**

(54) **CHILD RESISTANT CONTAINER**
(75) Inventors: **Philip Walsh**, Bristol (GB);
Christopher Althorpe, Bristol (GB);
Tom Walker, Bristol (GB); **Paul**
Hayton, Bristol (GB)

D221,896 S * 9/1971 Richardson
4,941,226 A * 7/1990 Kemper 15/185
5,645,167 A * 7/1997 Conrad 206/361
5,711,417 A * 1/1998 Tilve 206/6

(Continued)

(73) Assignee: **Archimedes Development Limited**,
Nottingham (GB)

FOREIGN PATENT DOCUMENTS
JP D1102451 3/2001
(Continued)

(**) Term: **14 Years**

OTHER PUBLICATIONS

(21) Appl. No.: **29/352,864**

Taiwanese Search Report issued on Dec. 28, 2009 in Taiwanese
Design Application No. 098306309.

(22) Filed: **Dec. 29, 2009**

(Continued)

(30) **Foreign Application Priority Data**

Jul. 3, 2009 (EM) 001156954-0001
Jul. 3, 2009 (EM) 001156954-0002

Primary Examiner — Catherine Tuttle

(74) *Attorney, Agent, or Firm* — Panitch Schwarze Belisario
& Nadel LLP

(51) **LOC (9) Cl.** **03-01**

(57) **CLAIM**

(52) **U.S. Cl.** **D3/203.1; D3/294; D9/737**

The ornamental design for a child resistant container, as
shown and described.

(58) **Field of Classification Search** D9/730,
D9/735, 736, 748, 749, 761, 414-434, 455,
D9/456; D3/18, 20, 200, 201, 203.1-203.6,
D3/205, 206, 269, 270, 271.1, 273, 274, 294-298,
D3/304, 313, 314; D28/73, 78, 79; 206/207,
206/208, 210, 570, 571, 581, 228, 38, 234,
206/235, 349-379, 37, 39.5, 1.5, 438, 823,
206/828, 528, 535, 538, 540, 557-565; 220/281,
220/324, 326, 260, 810, 833-837, 375, DIG. 26;
132/75, 76.5, 290-318

See application file for complete search history.

DESCRIPTION

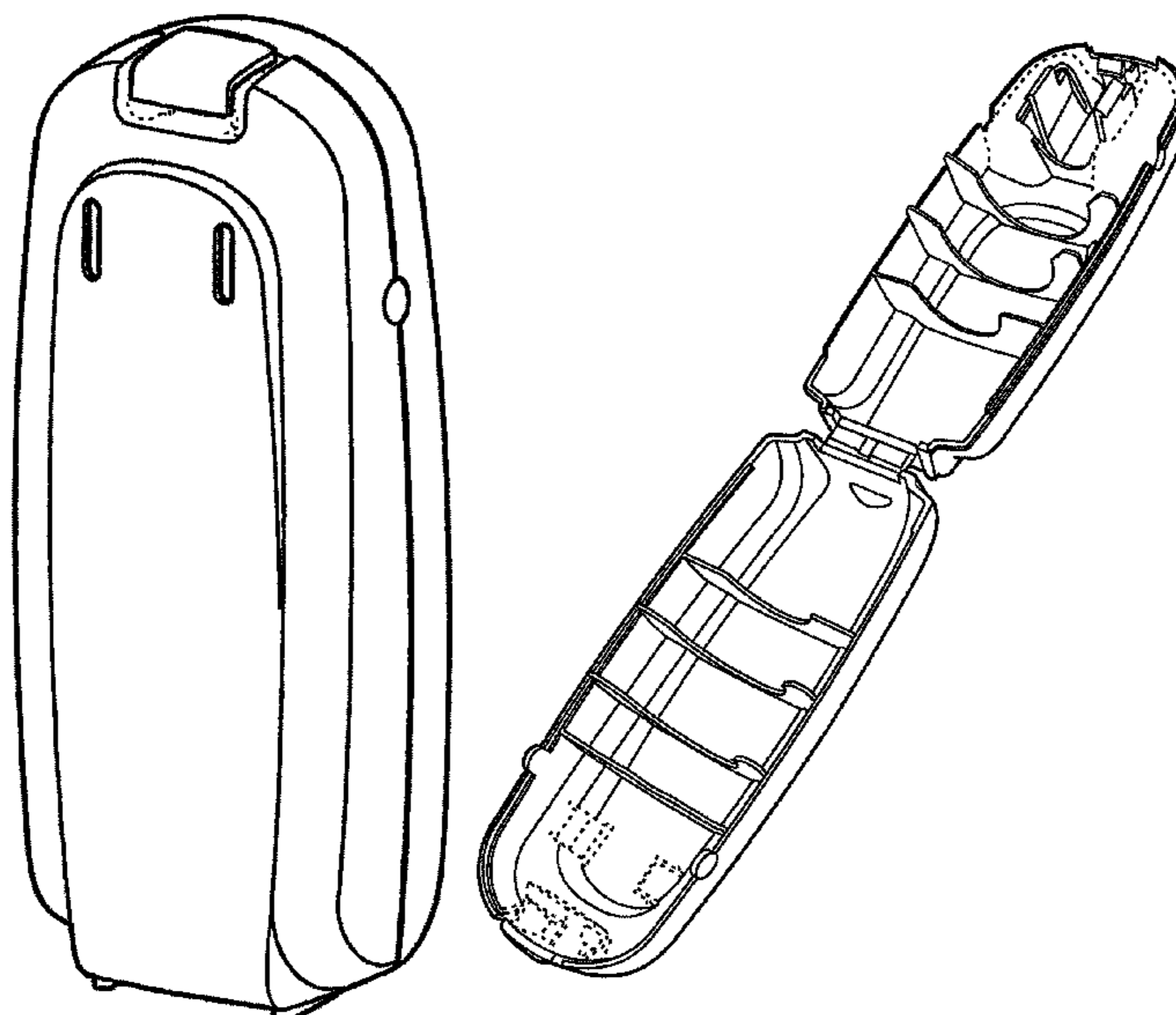
FIG. 1 is a front perspective view of the child resistant con-
tainer showing our new design in a closed configuration;
FIG. 2 is a rear perspective view thereof;
FIG. 3 is a perspective view showing the exterior surfaces
thereof in an opened configuration;
FIG. 4 is a side elevation view of FIG. 3;
FIG. 5 is a perspective view showing the interior surfaces
opposite those shown in FIG. 3;
FIG. 6 is fan enlarged scale bottom end view of FIGS. 3-5;
and,
FIG. 7 is fan enlarged scale top end view of FIGS. 3-5.
The broken lines in the figures are for illustrative purposes
only and form no part of the claimed design.

(56) **References Cited**

U.S. PATENT DOCUMENTS

200,083 A * 2/1878 Oviatt 131/240.1
D123,072 S * 10/1940 Bars et al.
D180,457 S * 6/1957 Paxton
3,317,076 A * 5/1967 Enders 220/840

1 Claim, 7 Drawing Sheets



US D663,943 S

Page 2

U.S. PATENT DOCUMENTS

6,173,838 B1 * 1/2001 Brozell 206/538
D455,325 S * 4/2002 Steiner
D466,010 S 11/2002 Valdez et al.
D468,524 S * 1/2003 Sinton et al.
D470,306 S * 2/2003 Halpern et al.
6,637,431 B2 * 10/2003 Ekelius et al. 128/203.15
6,675,959 B1 * 1/2004 Chiang 206/6
D529,711 S * 10/2006 Shamoon
D529,959 S * 10/2006 Oas
D554,987 S * 11/2007 Terrasi
D561,472 S * 2/2008 Nakamura
D589,305 S * 3/2009 Morales
7,549,541 B2 * 6/2009 Brozell et al. 206/531
D600,913 S * 9/2009 Kalbach

D619,798 S * 7/2010 Leifeld et al.
D625,178 S * 10/2010 Bailey et al. D9/422
2005/0241987 A1 * 11/2005 Dieudonat 206/581
2006/0102504 A1 * 5/2006 Phan 206/365
2010/0044253 A1 * 2/2010 Santalucia 206/210

FOREIGN PATENT DOCUMENTS

TW D101577 12/1991
TW D120190 11/1995

OTHER PUBLICATIONS

Taiwanese Search Report issued on Dec. 28, 2009 in Taiwanese
Design Application No. 098306310.

* cited by examiner

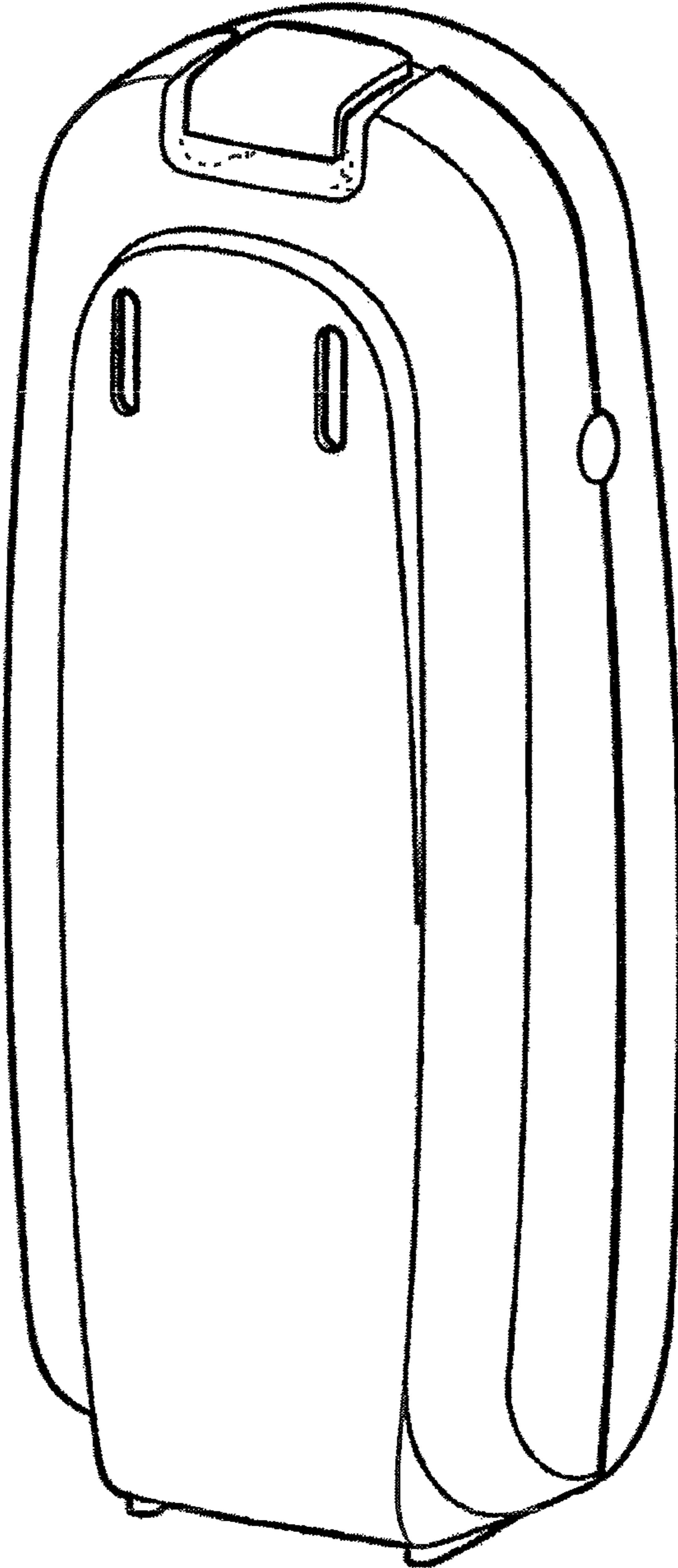


Fig. 1

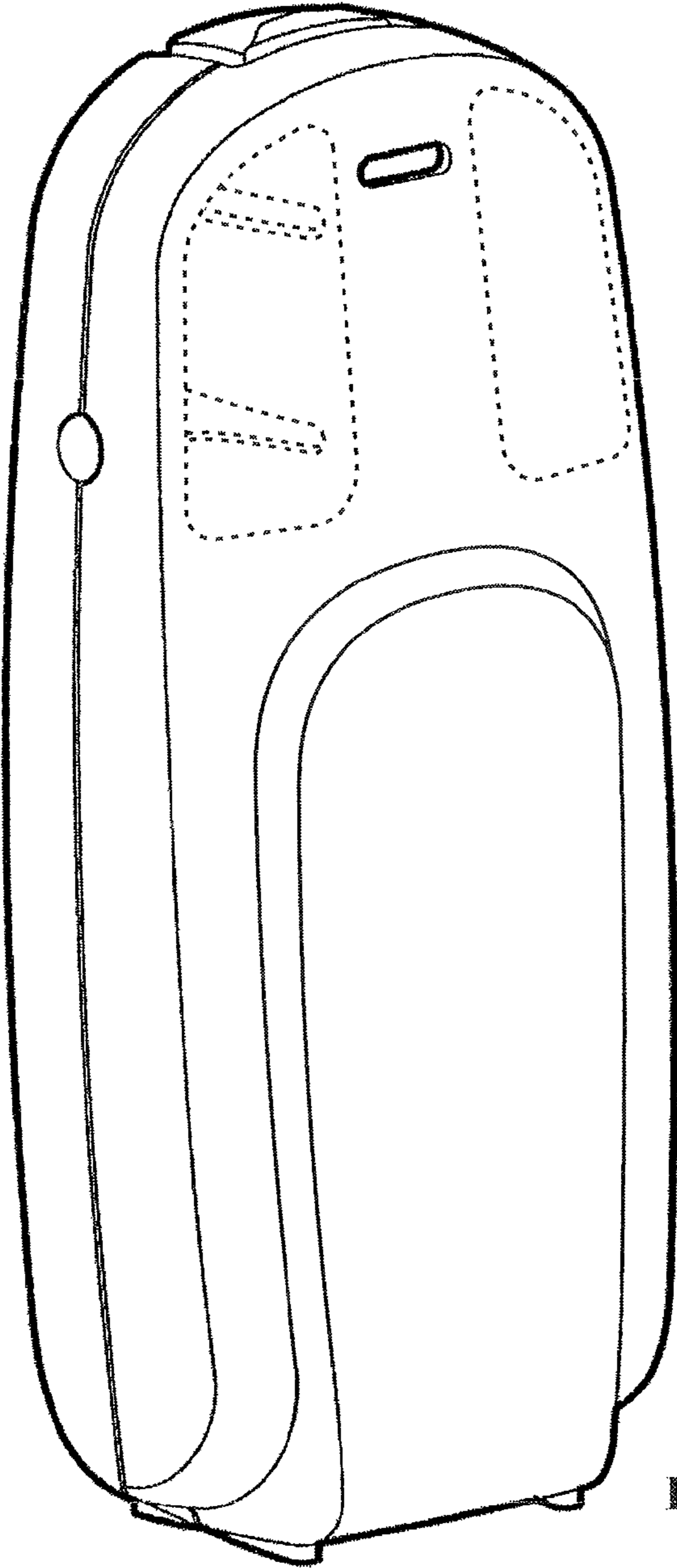


Fig. 2

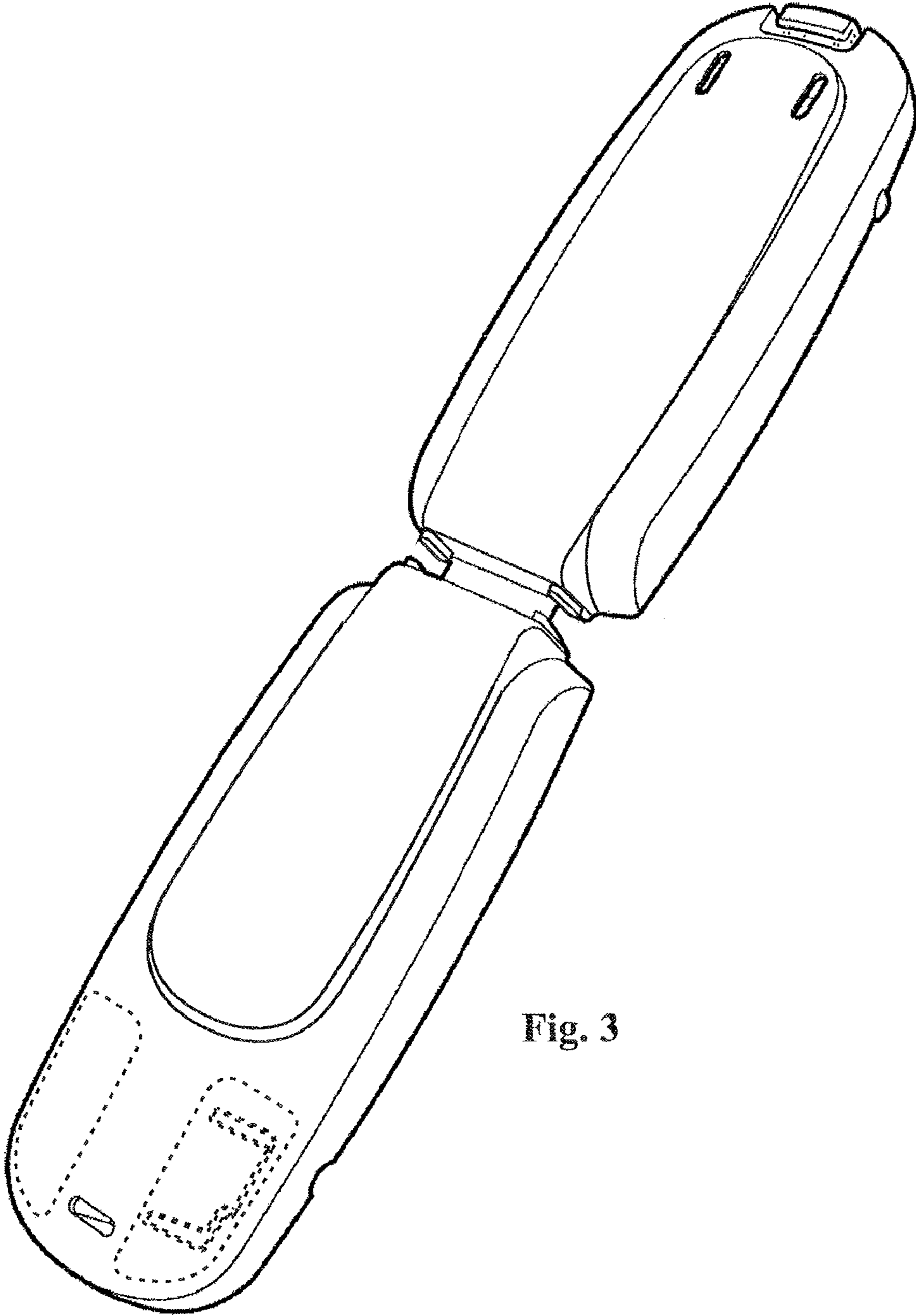


Fig. 3

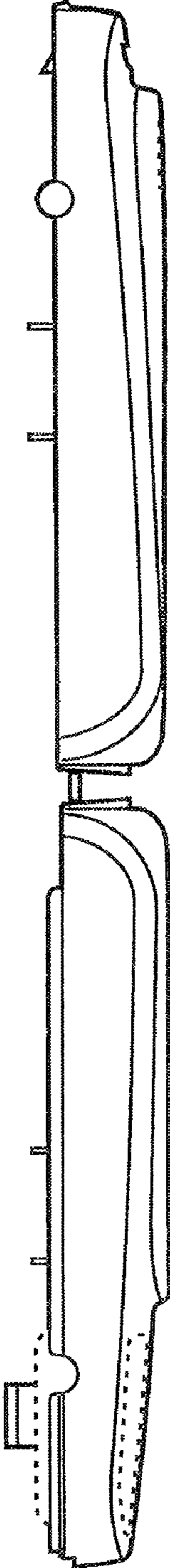


Fig. 4

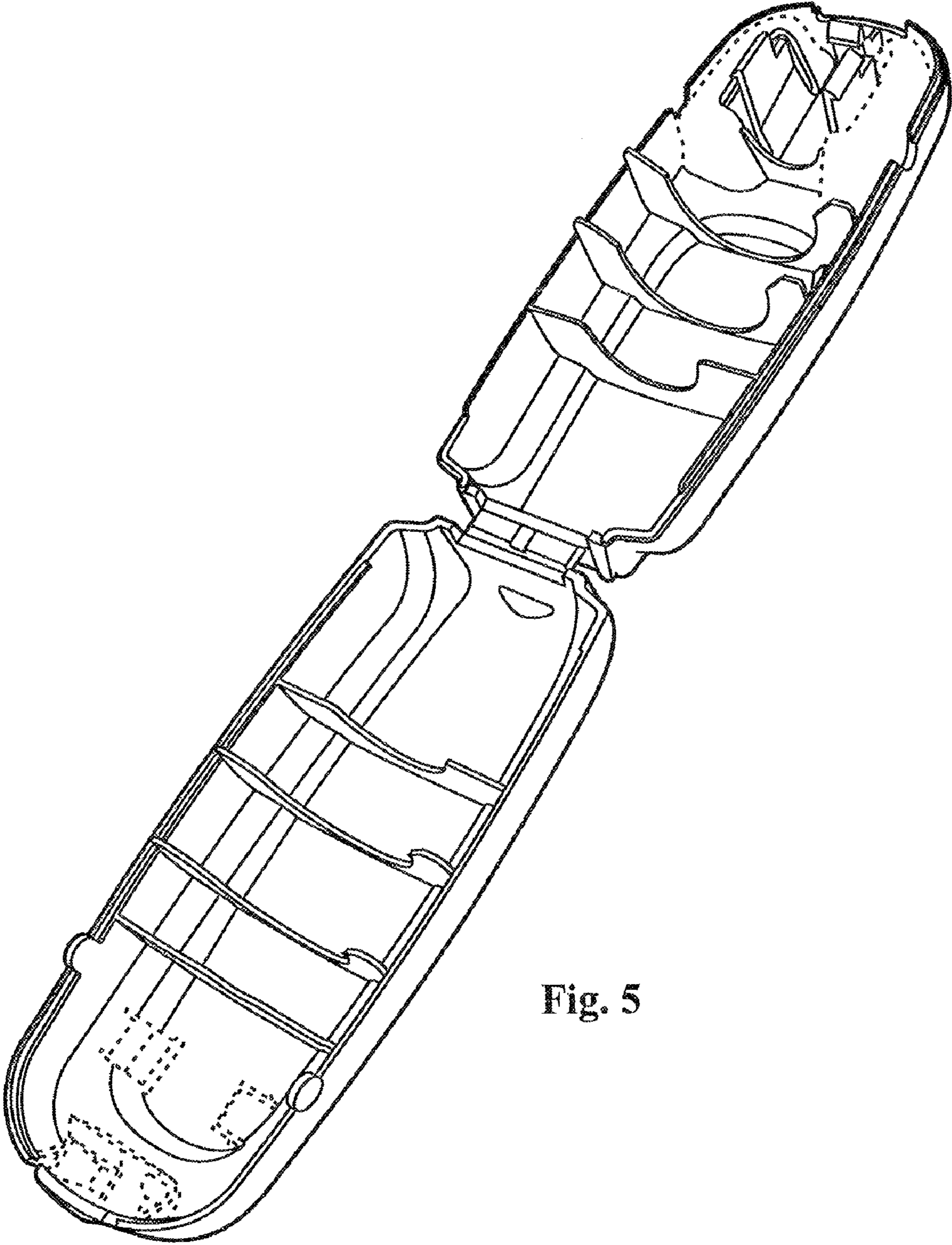


Fig. 5

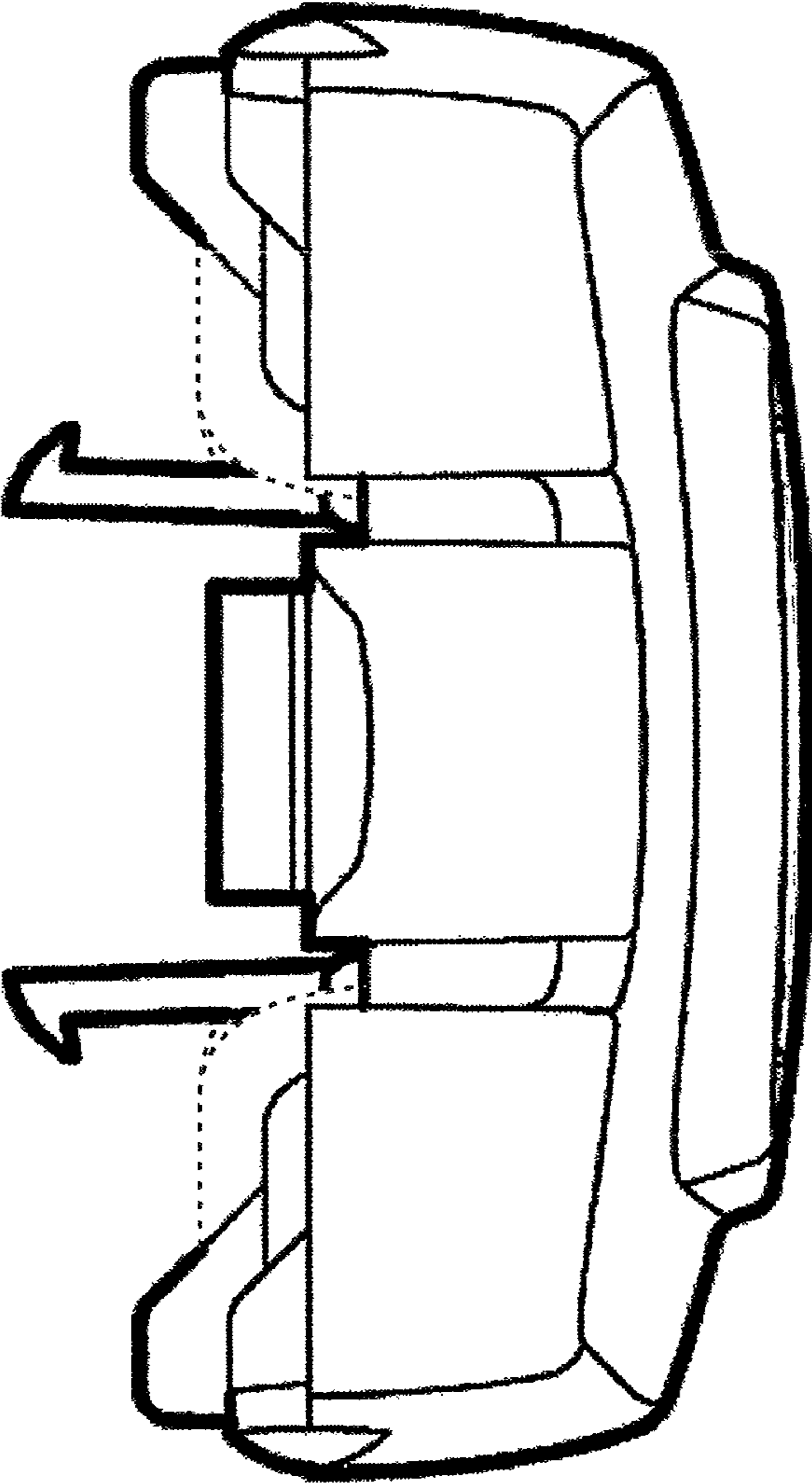


Fig. 6

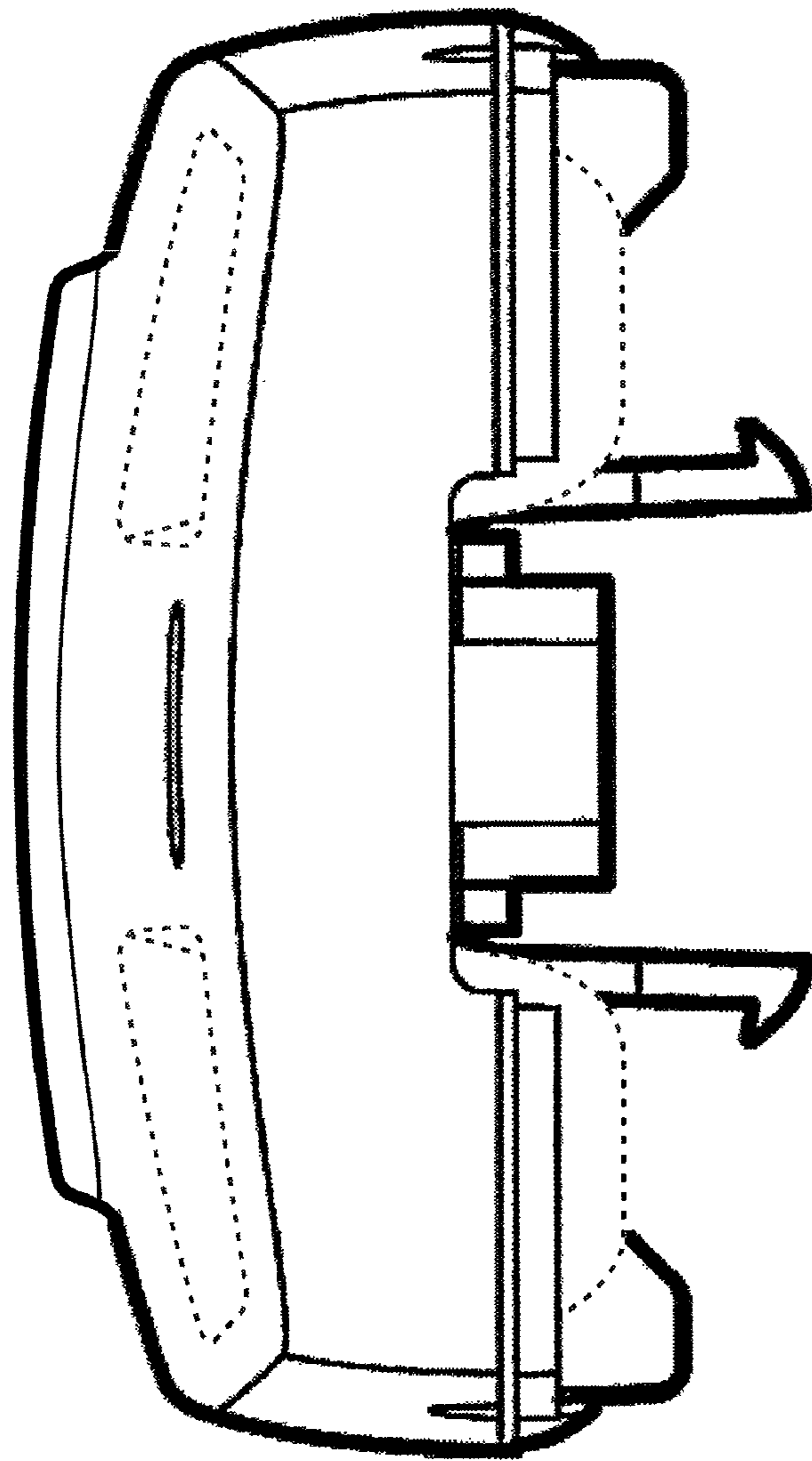


Fig. 7