

US00D663942S

(12) **United States Design Patent**
Martin

(10) **Patent No.:** **US D663,942 S**

(45) **Date of Patent:** **** Jul. 24, 2012**

(54) **WALKING AND PICKUP STICK**

(75) Inventor: **Shanon Matthew Martin**, Palmerston North (NZ)

(73) Assignee: **Richard Selwyn Jebson**, Palmerston North (NZ)

(**) Term: **14 Years**

(21) Appl. No.: **29/364,522**

(22) Filed: **Jun. 24, 2010**

(30) **Foreign Application Priority Data**

Dec. 24, 2009 (NZ) 413165

(51) **LOC (9) Cl.** **03-03**

(52) **U.S. Cl.** **D3/7**

(58) **Field of Classification Search** D3/5-17;
D12/130, 133; 135/65-73, 76-85
See application file for complete search history.

(56) **References Cited**

U.S. PATENT DOCUMENTS

2,346,038 A * 4/1944 Mason 294/104
5,176,160 A * 1/1993 Osborn 135/66
5,392,800 A * 2/1995 Sergi 135/65

5,640,985 A * 6/1997 Snyder et al. 135/65
5,687,889 A * 11/1997 Liden 223/111
D540,534 S * 4/2007 Chan D3/7
7,287,675 B1 * 10/2007 Sullivan et al. 223/111
2004/0255995 A1 * 12/2004 Garrett 135/66

* cited by examiner

Primary Examiner — John Windmuller

(74) *Attorney, Agent, or Firm* — Merchant & Gould P.C.

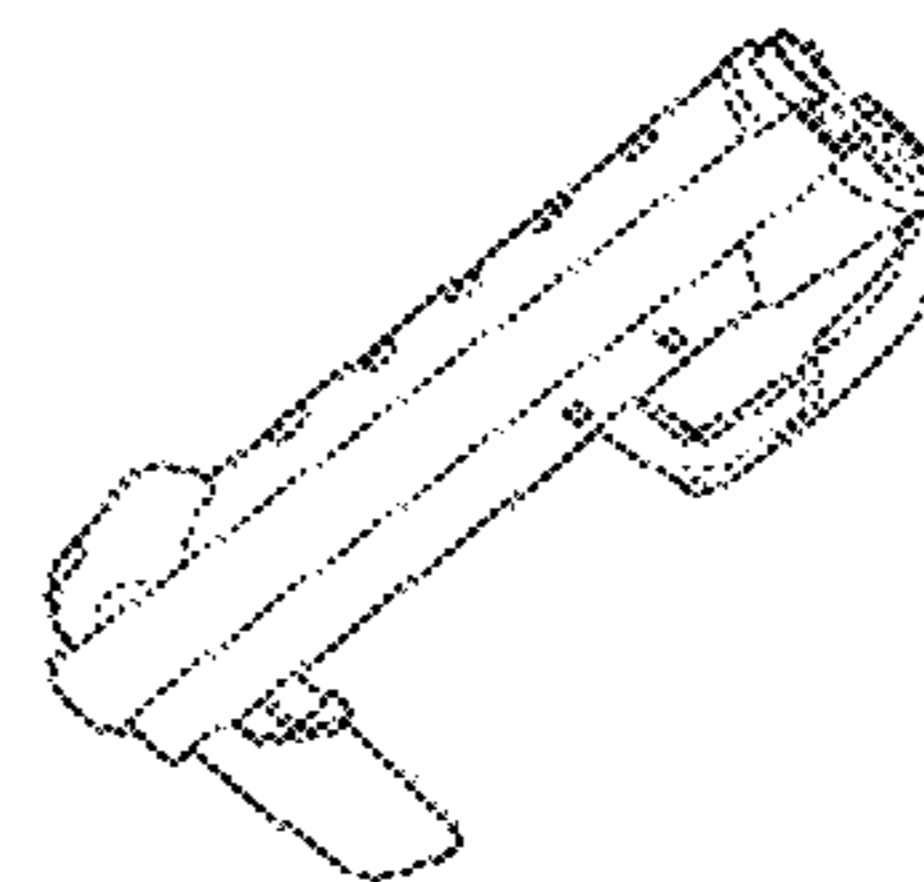
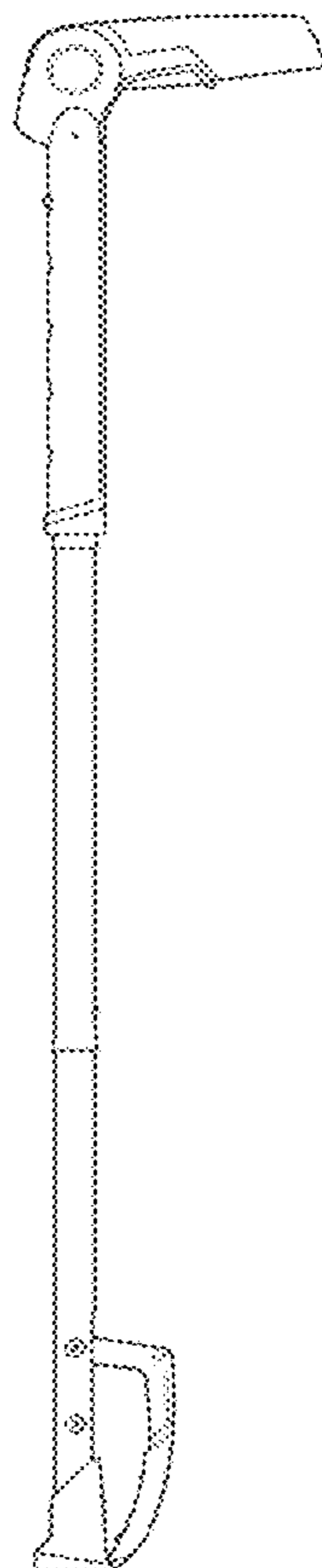
(57) **CLAIM**

The ornamental design for walking and pickup stick, as shown and described.

DESCRIPTION

FIG. 1 is a left side view of my design thereof;
FIG. 2 is a right side view;
FIG. 3 is a front view;
FIG. 4 is a back view;
FIG. 5 is a bottom view;
FIG. 6 is a top view;
FIG. 7 is a folded perspective view from the left side;
FIG. 8 is a folded perspective view from the right side;
FIG. 9 is a perspective view; and,
FIG. 10 is a deployed left side view thereof;
The broken lines in the figures depict portions of the walking and pickup stick that form no part of the claimed design.

1 Claim, 10 Drawing Sheets



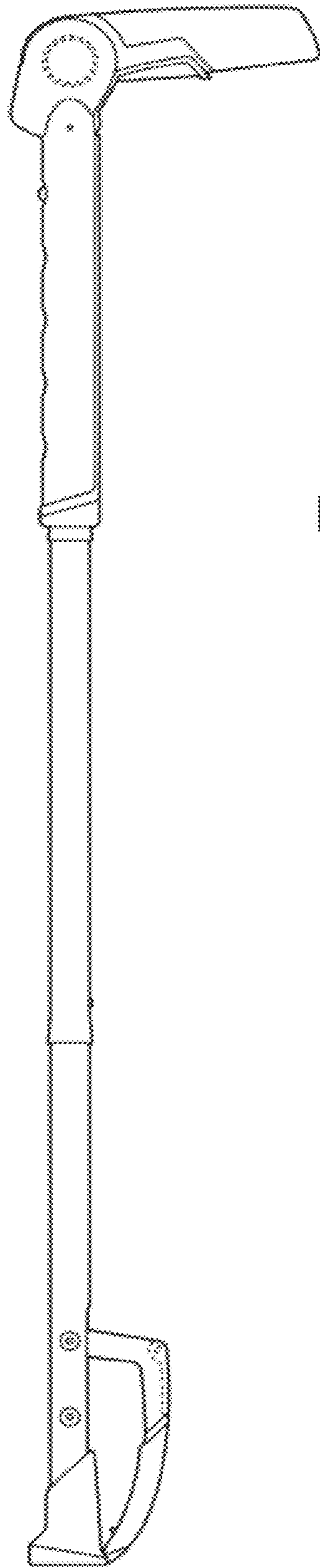


FIG. 1

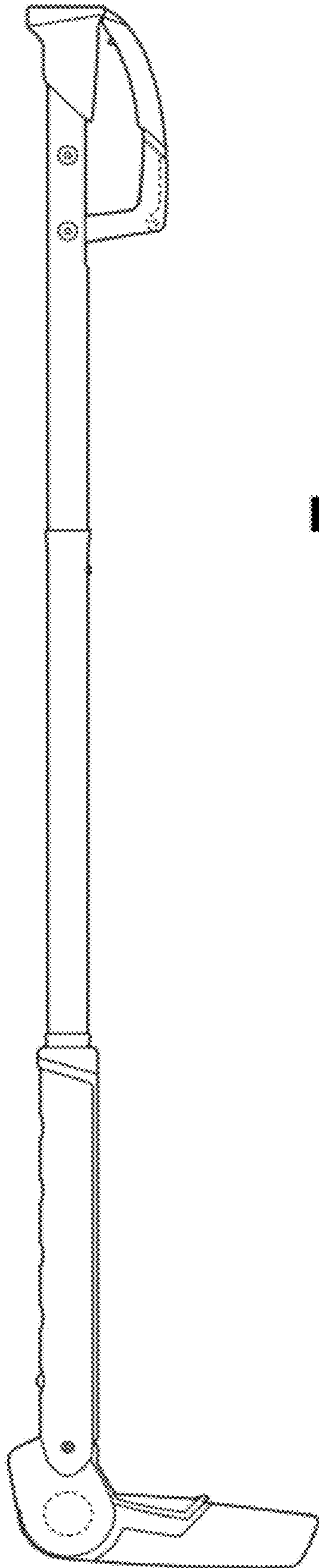


FIG. 2

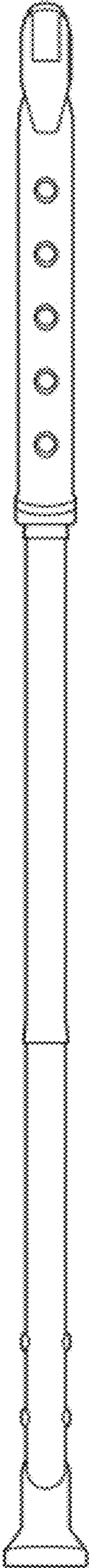


FIG. 3

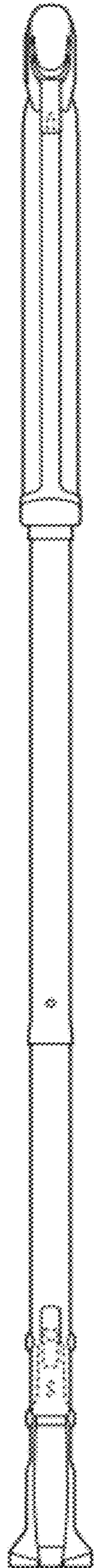


FIG. 4

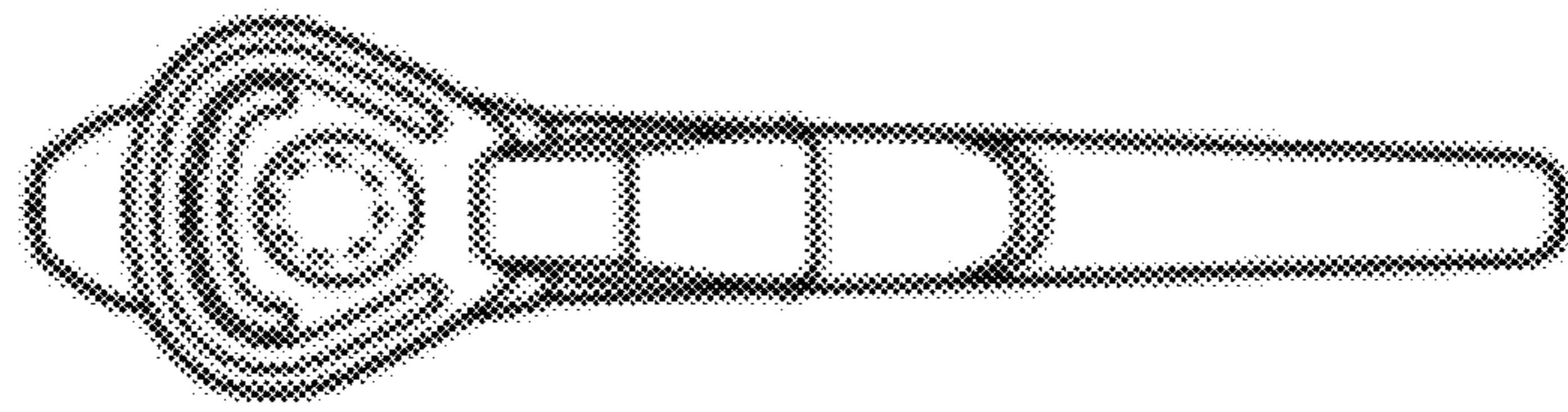


FIG. 5

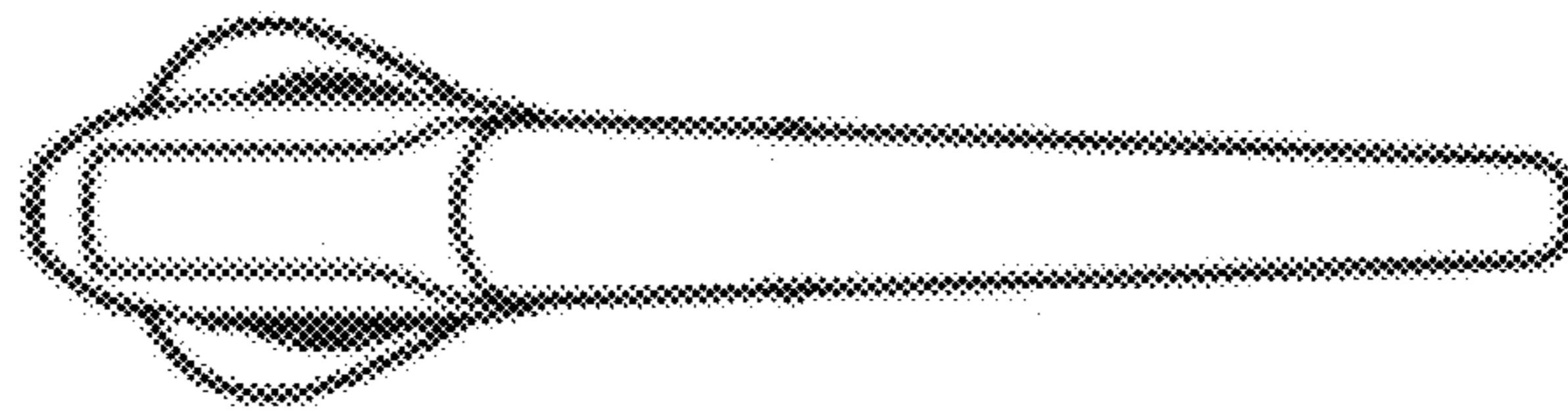


FIG. 6

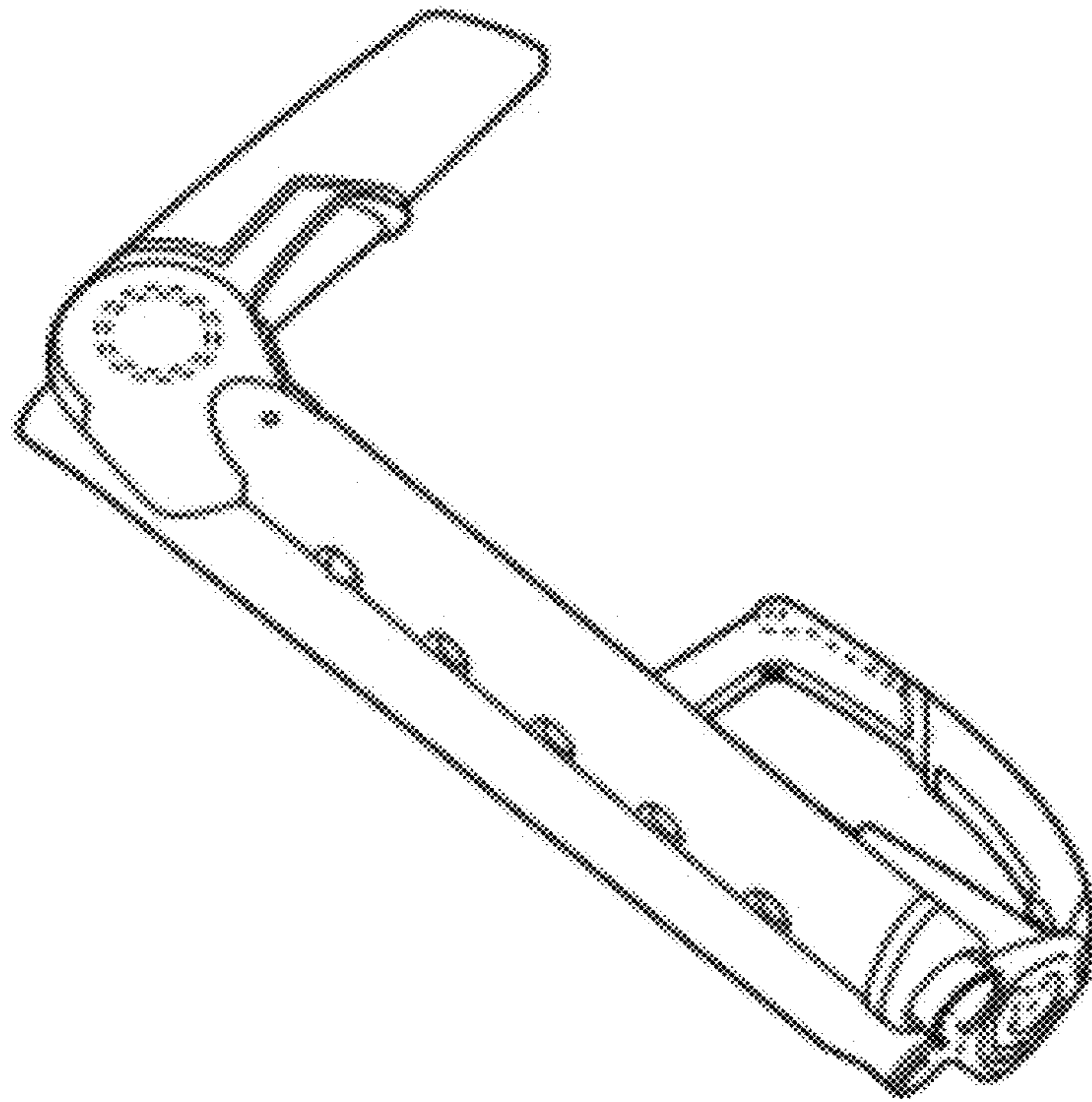


FIG. 7

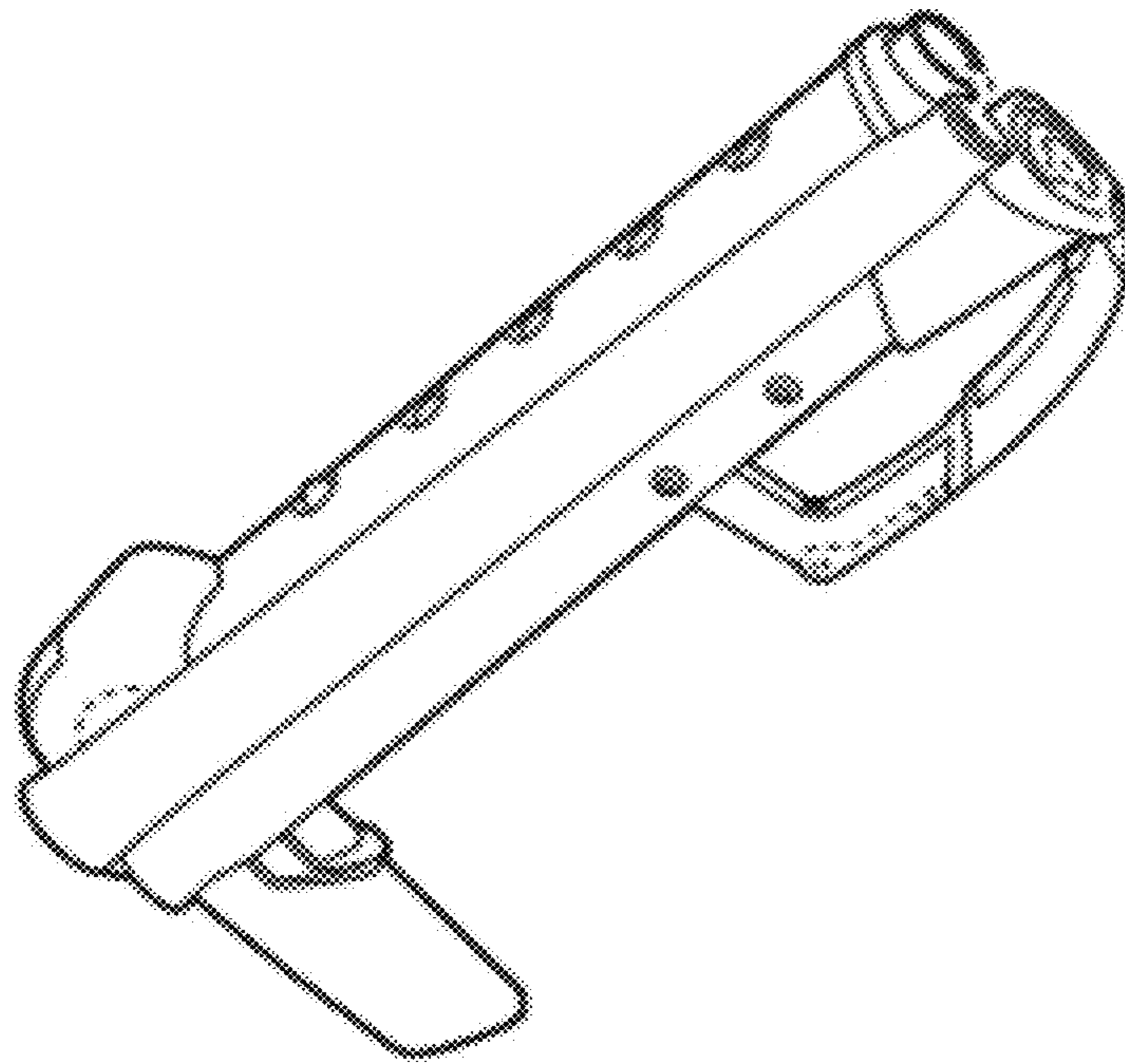


FIG. 8

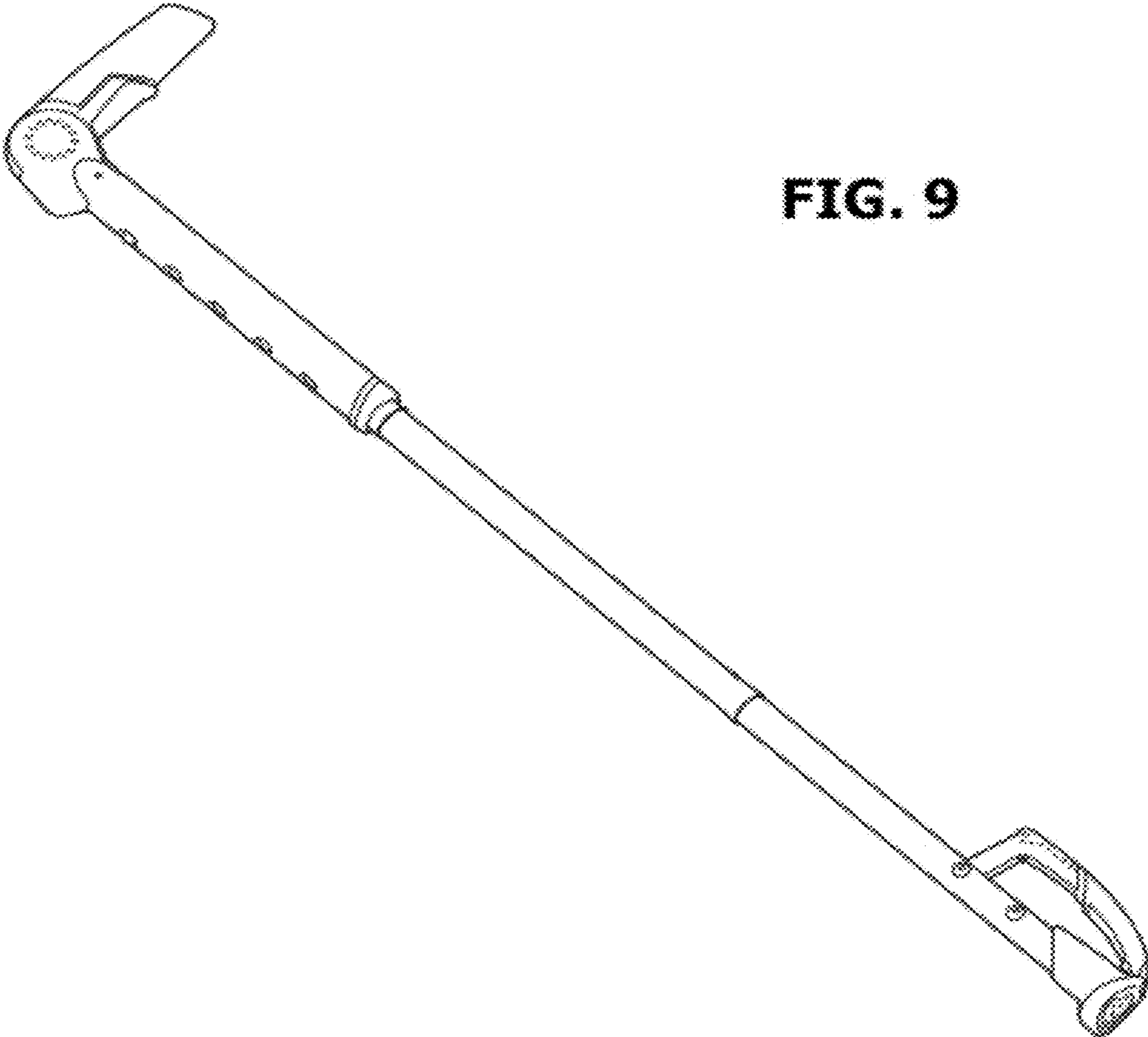


FIG. 9

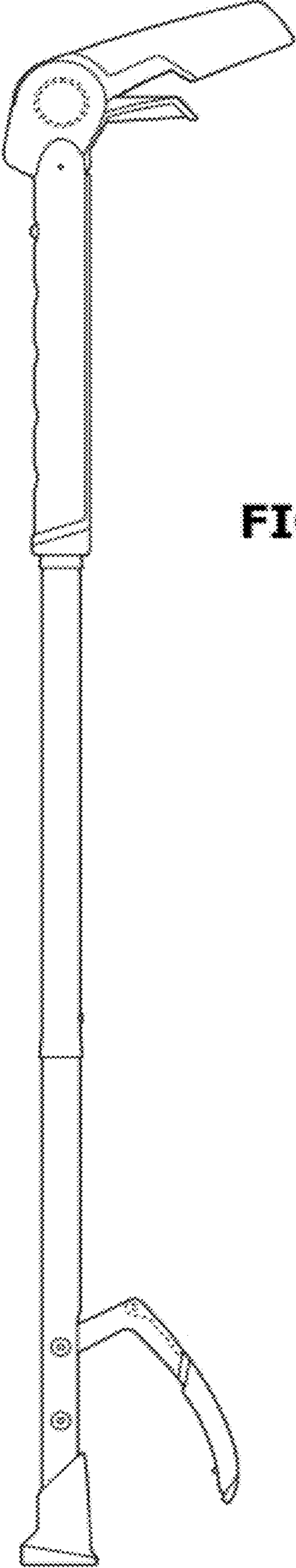


FIG. 10