



US00D663926S

(12) **United States Design Patent**
Richards

(10) **Patent No.:** **US D663,926 S**

(45) **Date of Patent:** **** Jul. 24, 2012**

(54) **HAT RESEMBLING A FOOTBALL HELMET**

(76) Inventor: **Antoine D. Richards**, Washington, DC
(US)

(**) Term: **14 Years**

(21) Appl. No.: **29/382,170**

(22) Filed: **Dec. 29, 2010**

(51) **LOC (9) Cl.** **02-03**

(52) **U.S. Cl.** **D2/882**

(58) **Field of Classification Search** D2/865,
D2/866, 875, 876, 877, 878, 879, 880, 881,
D2/882, 883, 884, 886, 888, 891, 892, 893,
D2/895; D29/102, 103, 104, 105, 106, 107,
D29/122; 2/10, 171.01, 171.3, 173.5, 175.1,
2/175.4, 183, 195.1, 195.3, 200.1, 209.12,
2/209.13, 410, 425; 40/329

See application file for complete search history.

(56) **References Cited**

U.S. PATENT DOCUMENTS

751,480 A * 2/1904 Drake 2/183
(Continued)

OTHER PUBLICATIONS

2005 Vince Young Game Worn Helmet, [on-line]; [posted to the Internet as late as May 5, 2006]; [retrieved from the Internet Mar. 18, 2009]; URL: <<http://sports.ha.com>>. (3 pages).*

(Continued)

Primary Examiner — Karen E Eldridge Powers

(74) *Attorney, Agent, or Firm* — QuickPatents, Inc.; Kevin Prince

(57) **CLAIM**

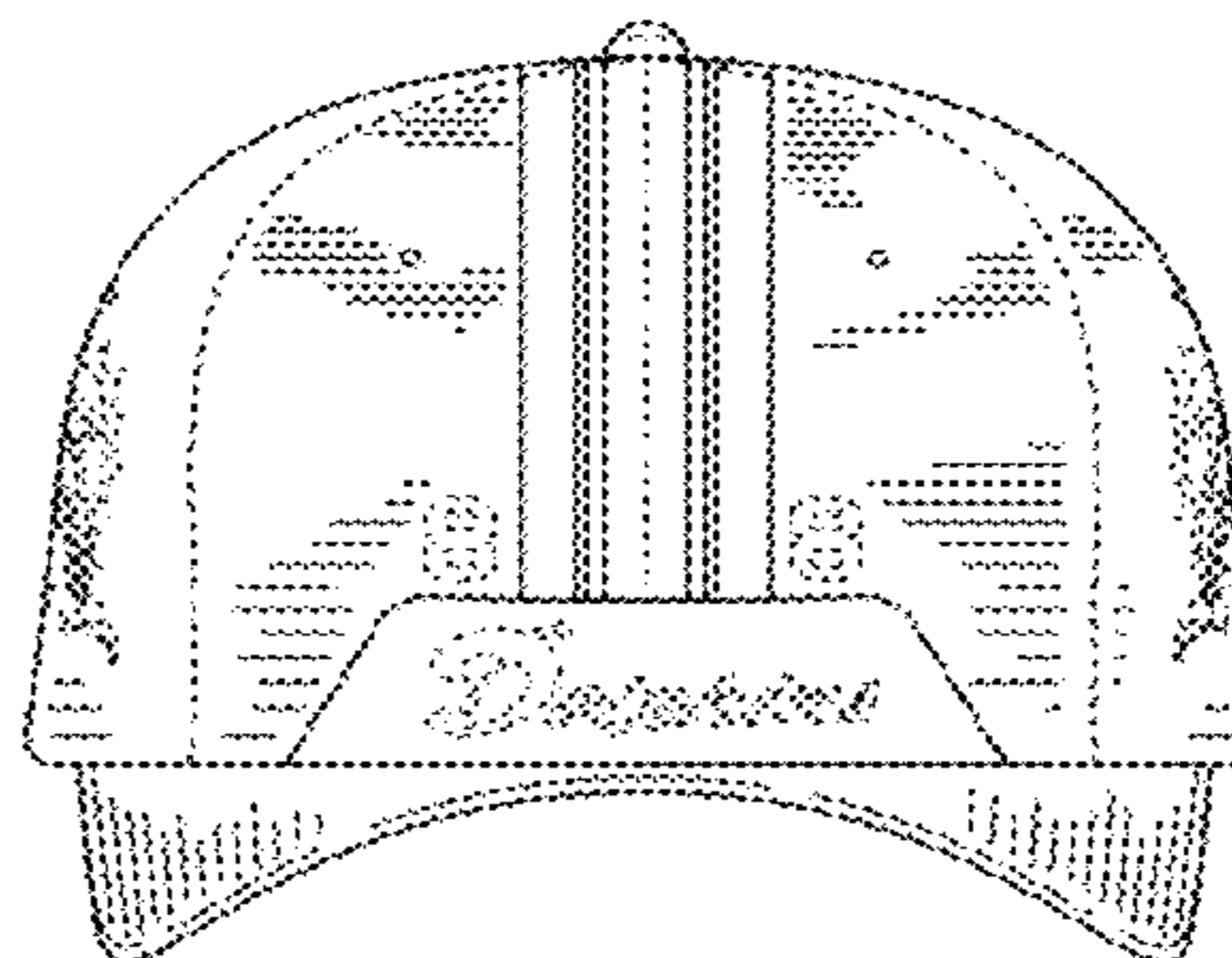
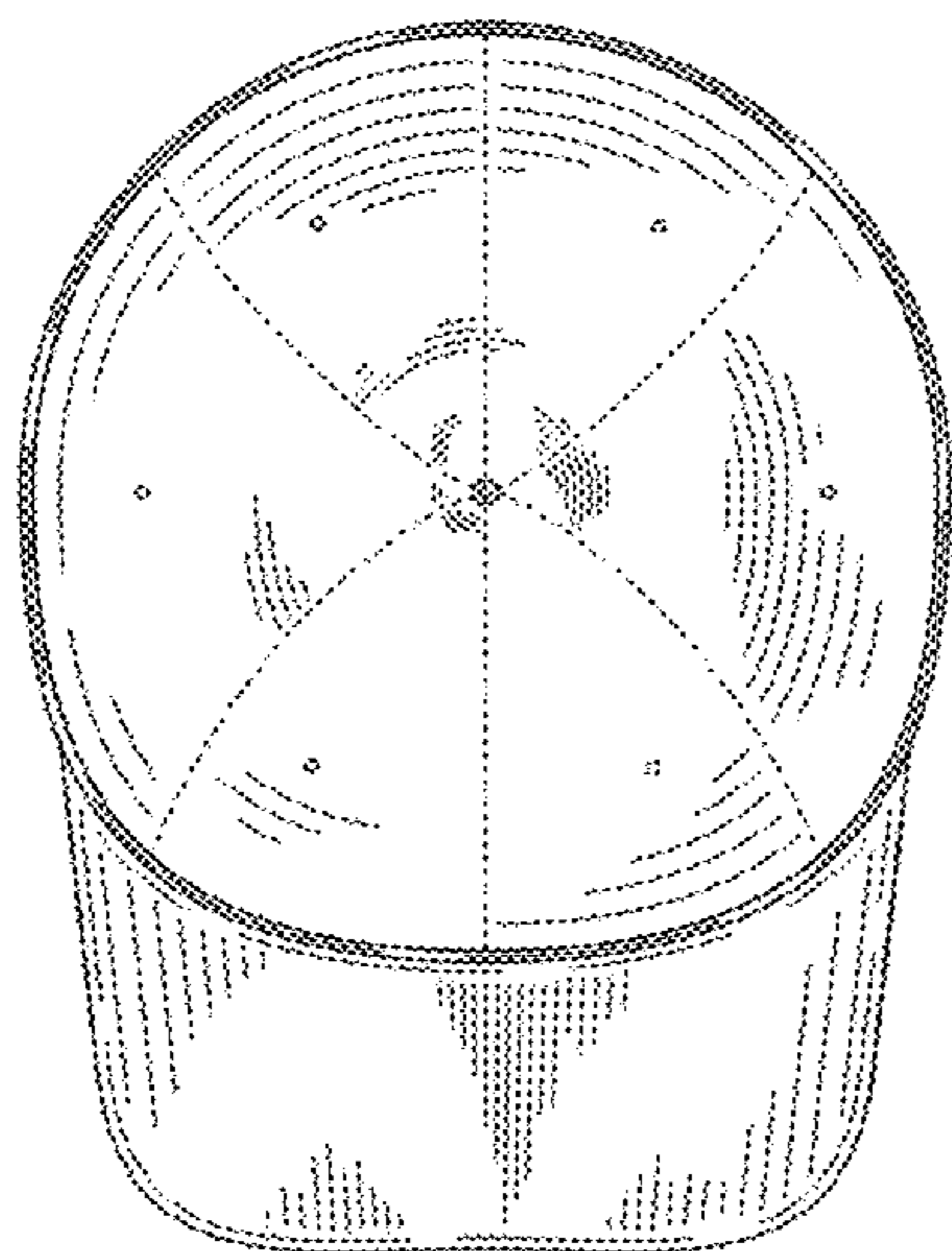
The ornamental design for a hat resembling a football helmet, as shown and described.

DESCRIPTION

FIG. 1 is a perspective view of a hat resembling a football helmet, showing a first embodiment of the new design; FIG. 2 is a front elevational view of FIG. 1; FIG. 3 is a rear elevational view of FIG. 1; FIG. 4 is a left-side elevational view of FIG. 1; FIG. 5 is a right-side elevational view of FIG. 1; FIG. 6 is a top plan view of FIG. 1; FIG. 7 is a bottom plan view of FIG. 1; FIG. 8 is a perspective view of a second embodiment thereof; FIG. 9 is a front elevational view of FIG. 8; FIG. 10 is a rear elevational view of FIG. 8; FIG. 11 is a left-side elevational view of FIG. 8; FIG. 12 is a right-side elevational view of FIG. 8; FIG. 13 is a top plan view of FIG. 8; FIG. 14 is a bottom plan view of FIG. 8; FIG. 15 is a perspective view of a third embodiment thereof; FIG. 16 is a front elevational view of FIG. 15; FIG. 17 is a rear elevational view of FIG. 15; FIG. 18 is a left-side elevational view of FIG. 15; FIG. 19 is a right-side elevational view of FIG. 15; FIG. 20 is a top plan view of FIG. 15; FIG. 21 is a bottom plan view of FIG. 15; FIG. 22 is a perspective view of a fourth embodiment thereof; FIG. 23 is a front elevational view of FIG. 22; FIG. 24 is a rear elevational view of FIG. 22; FIG. 25 is a left-side elevational view of FIG. 22; FIG. 26 is a right-side elevational view of FIG. 22; FIG. 27 is a top plan view of FIG. 22; and, FIG. 28 is a bottom plan view of FIG. 22.

The broken lines showing team logos, team names, and player numbers in the figures form no part of the claimed design. The remaining broken lines represent stitching, and do form part of the claimed design.

1 Claim, 20 Drawing Sheets



U.S. PATENT DOCUMENTS

D77,967 S * 3/1929 Marcussen D2/880
 D174,882 S * 5/1955 Lipkin D2/882
 2,710,972 A * 6/1955 Radnofsky et al. 2/410
 D216,988 S * 3/1970 Je Rue D11/157
 D235,941 S * 7/1975 Stock D2/870
 D237,844 S * 12/1975 Stock D2/870
 4,222,125 A * 9/1980 Sewell-Wood 2/195.1
 D296,031 S * 6/1988 Coy et al. D2/866
 D334,830 S * 4/1993 Siegel D2/878
 D362,106 S * 9/1995 Wauldron D2/870
 D366,557 S * 1/1996 Ashby et al. D2/870
 D376,467 S * 12/1996 Randolph D2/881
 D397,580 S * 9/1998 Dunn et al. D7/402
 D413,425 S * 9/1999 Bardin D2/878
 6,006,368 A * 12/1999 Phillips 2/468
 6,401,258 B1 * 6/2002 Wilson 2/410
 D478,204 S * 8/2003 Cortez et al. D2/870
 D519,262 S * 4/2006 Davis D2/878
 D525,767 S * 8/2006 Boyle D2/870
 D539,514 S * 4/2007 Talley D2/878
 D557,479 S * 12/2007 McGrath D2/882
 D559,502 S * 1/2008 Lanphere, Jr. D2/870
 D565,281 S * 4/2008 Dhillon D2/865
 7,536,731 B1 * 5/2009 Feldman 2/410

7,621,000 B1 * 11/2009 Fulton 2/209.13
 D613,200 S * 4/2010 Modderman et al. D11/124
 2004/0010839 A1 * 1/2004 Cheatum 2/171
 2004/0250337 A1 * 12/2004 Pietrzykowski 2/195.3
 2010/0263110 A1 * 10/2010 Berry 2/459
 2011/0184319 A1 * 7/2011 Mack et al. 600/595

OTHER PUBLICATIONS

Vintage Dallas Cowboys football helmet, [on-line]; [uploaded to the Internet Mar. 25, 2012]; [retrieved from the Internet Mar. 26, 2012]; URL: <<http://dallascowboyshistory.net/vintage-dallas-cowboy-football-helmet.html>>. (2 pages).*

1972 Miami Dolphins Team Signed 35th Anniversary Undeclared helmet, [on-line]; [retrieved from the Internet Mar. 26, 2012]; URL: <<http://www.fansedge.com>>. (5 pages).*

Washington Redskins Helmet signed by John Riggins, [on-line]; [retrieved from the Internet Mar. 26, 2012]; URL: <www.sportsblink.com>. (2 pages).*

Vintage 1970s Baltimore Colts helmet, [on-line]; [last updated on Internet Mar. 22, 2012]; [retrieved from the Internet Mar. 26, 2012]; URL: <<http://www.ebay.com/itm/Vintage-1970s-Baltimore-Colts-Game-Used-Worn-Football-Helmet.html>>. (3 pages).*

* cited by examiner



FIG. 1

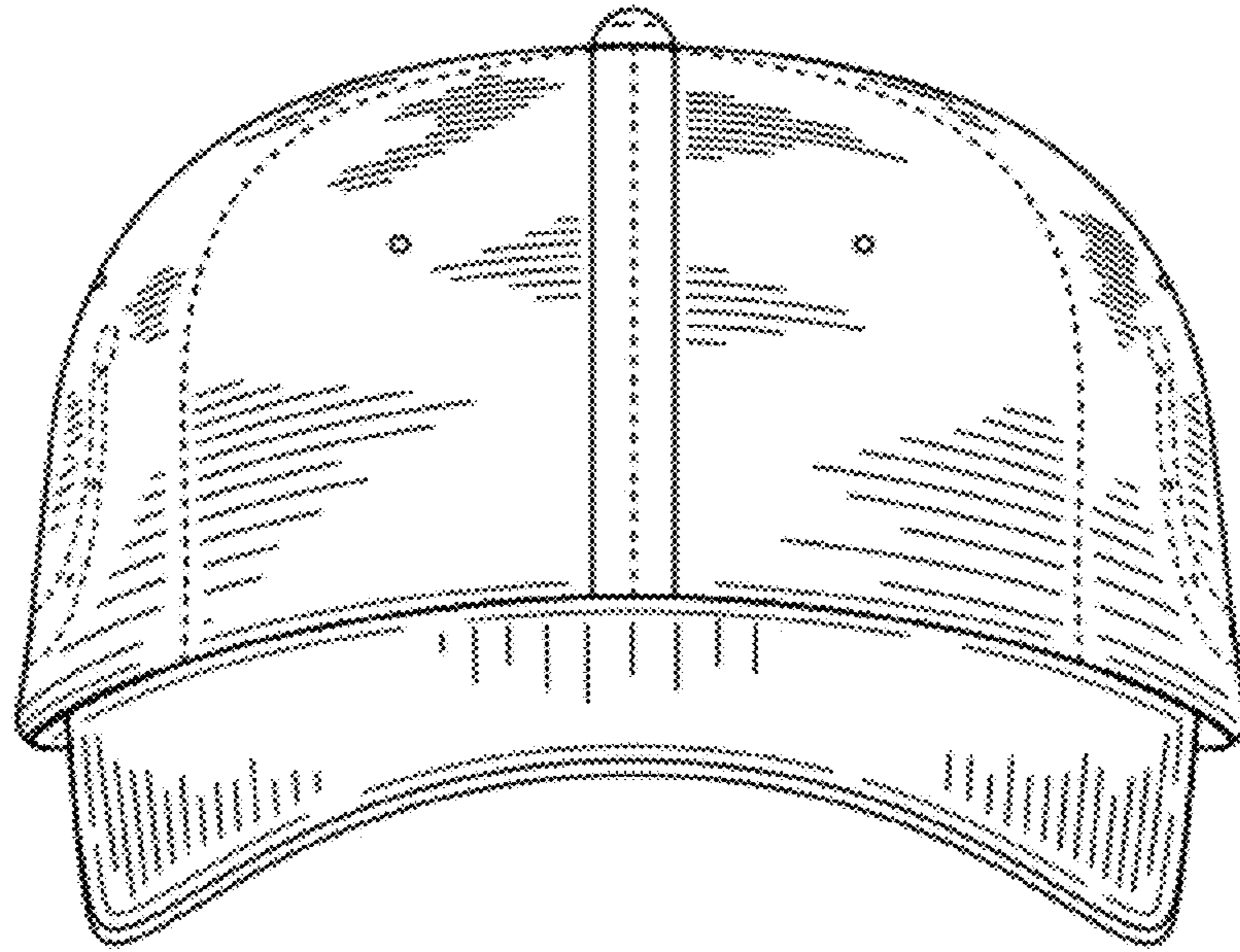


FIG. 2

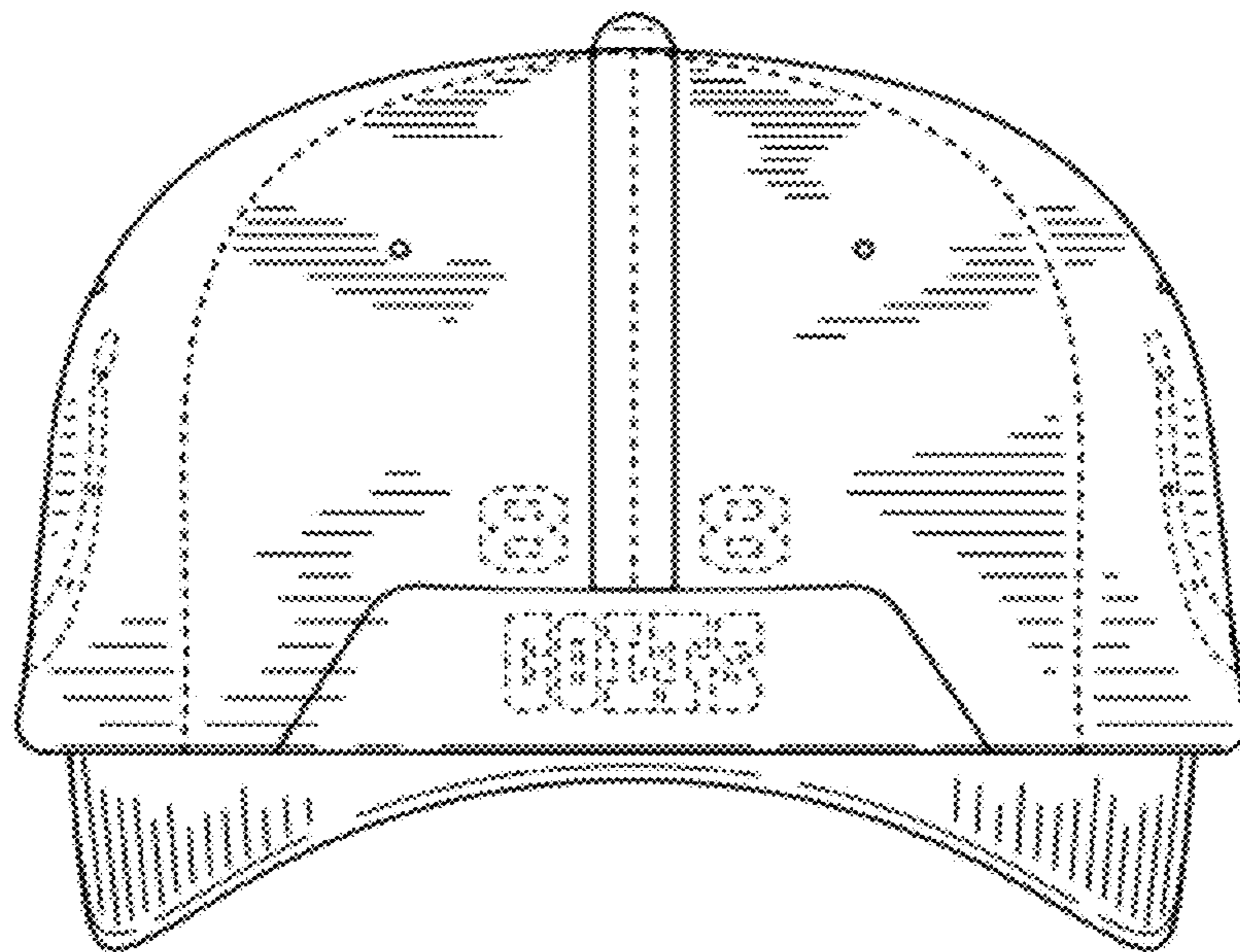


FIG. 3

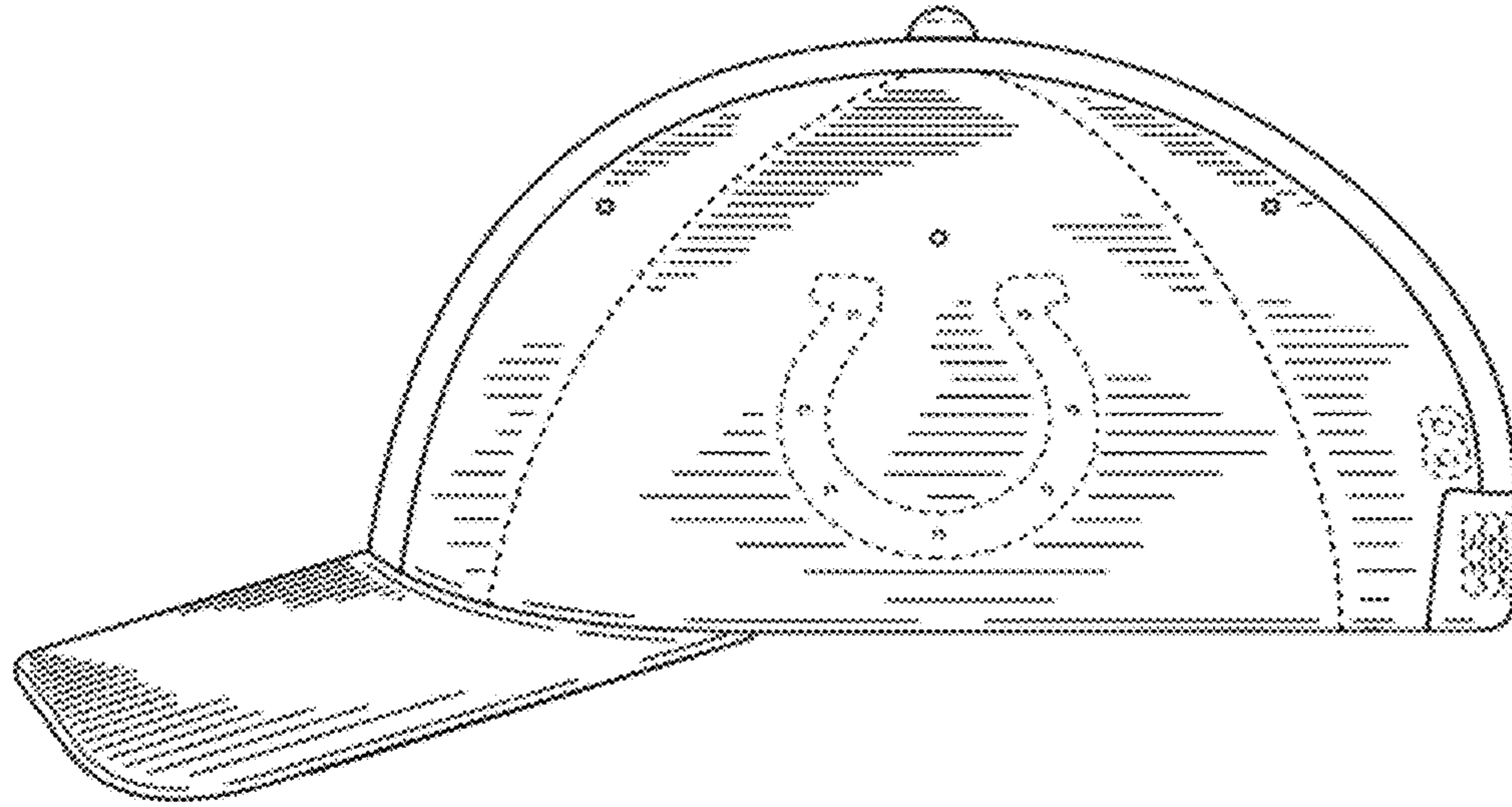


FIG. 4

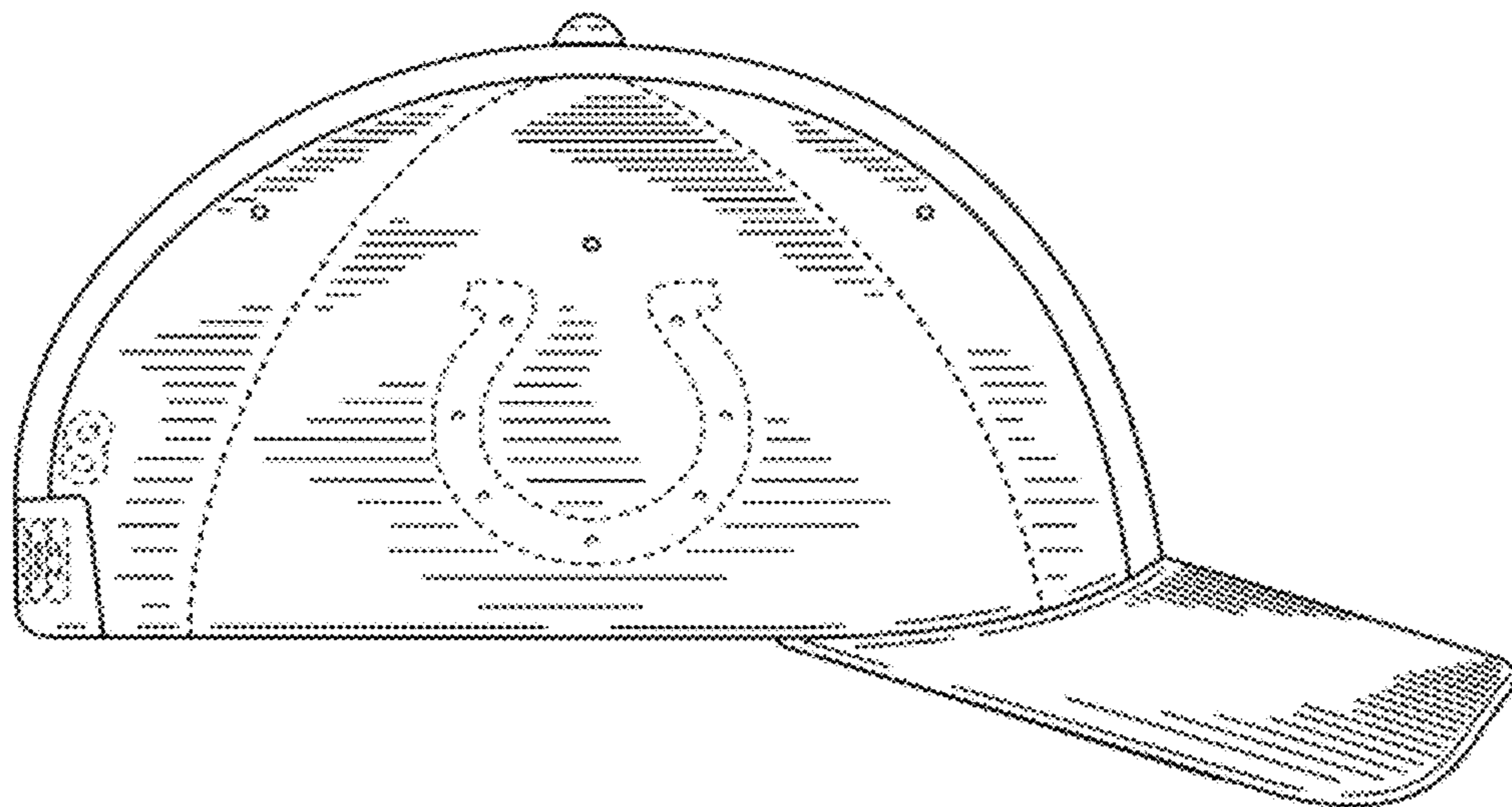


FIG. 5

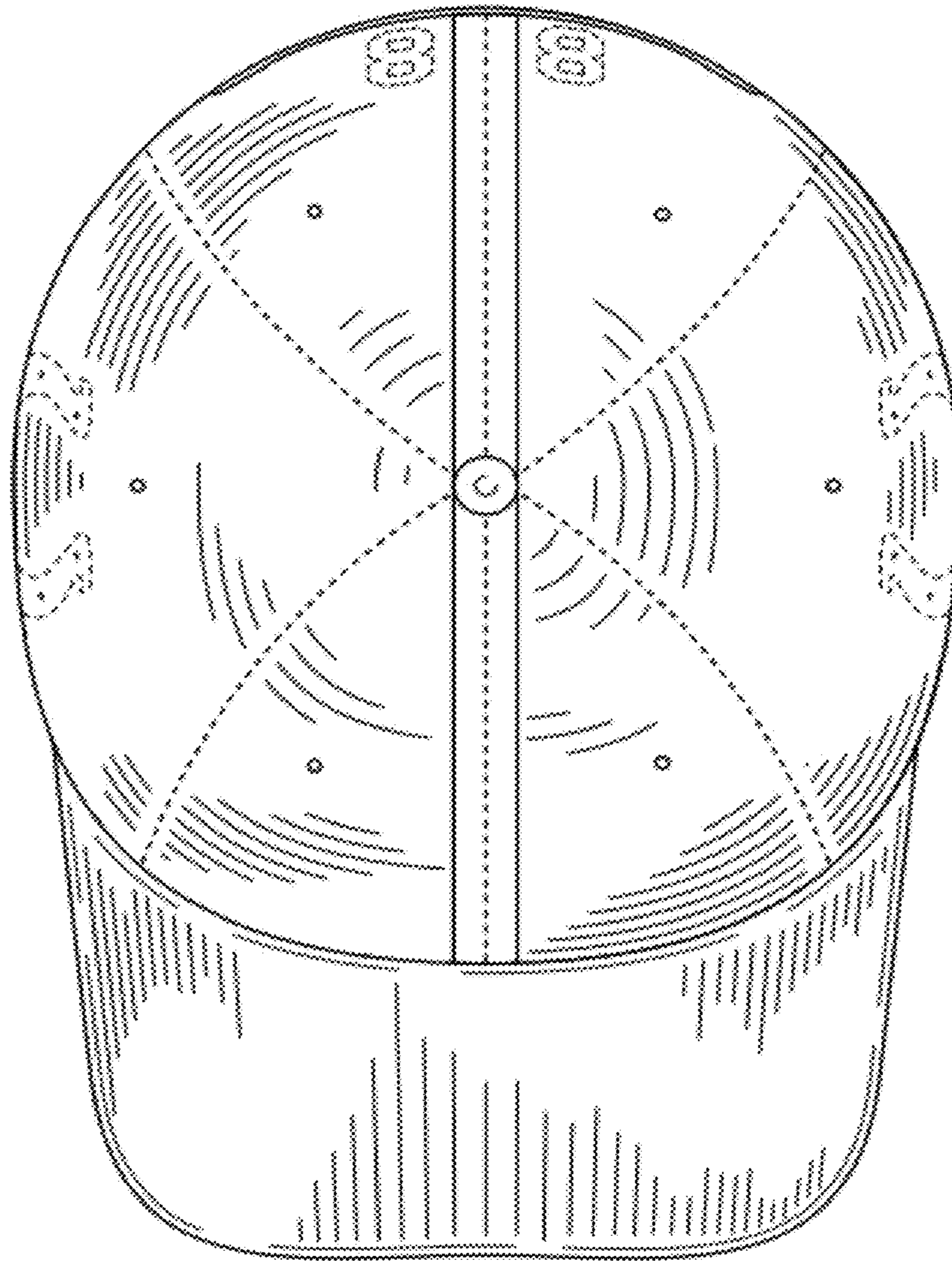


FIG. 6

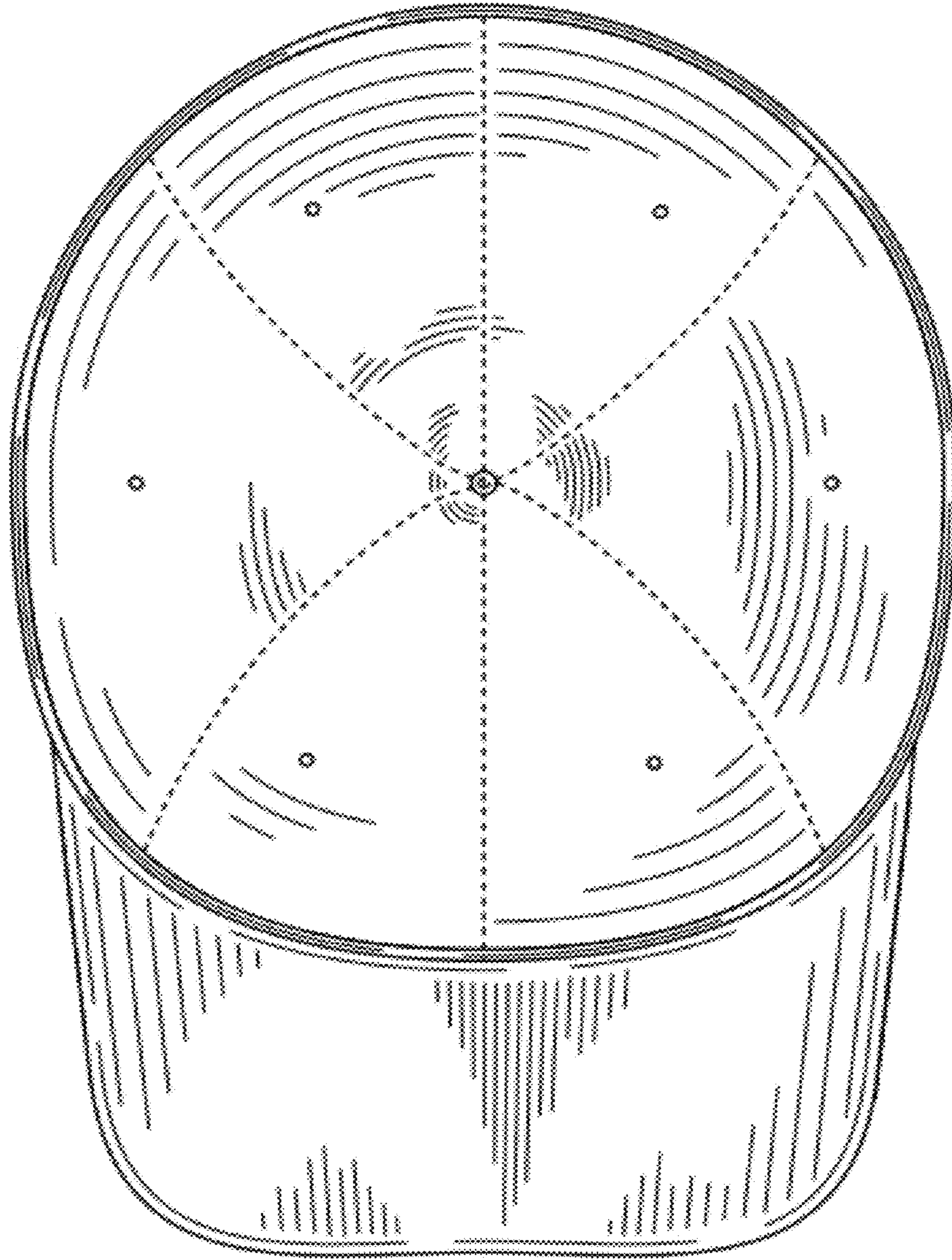


FIG. 7



FIG. 8

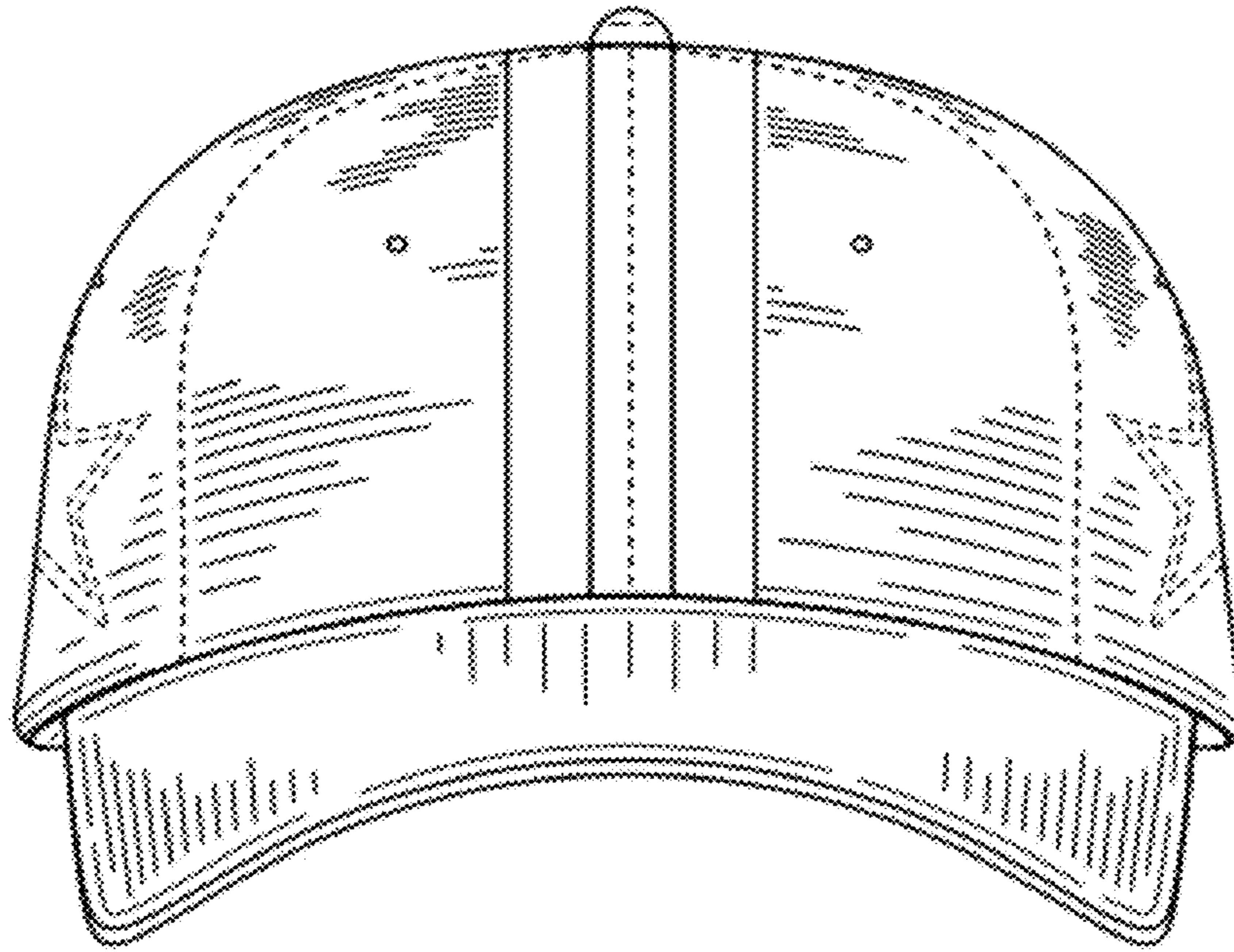


FIG. 9

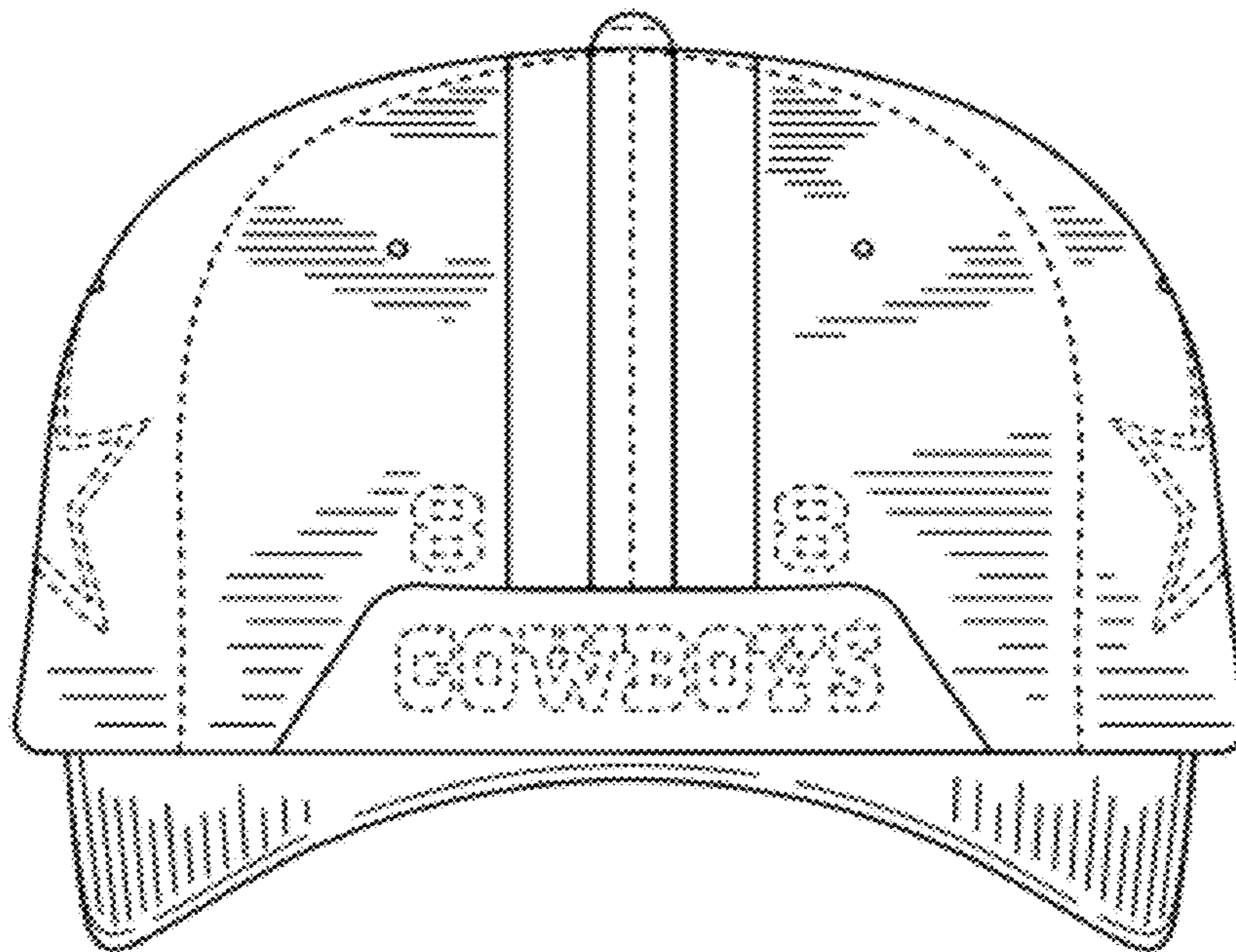


FIG. 10

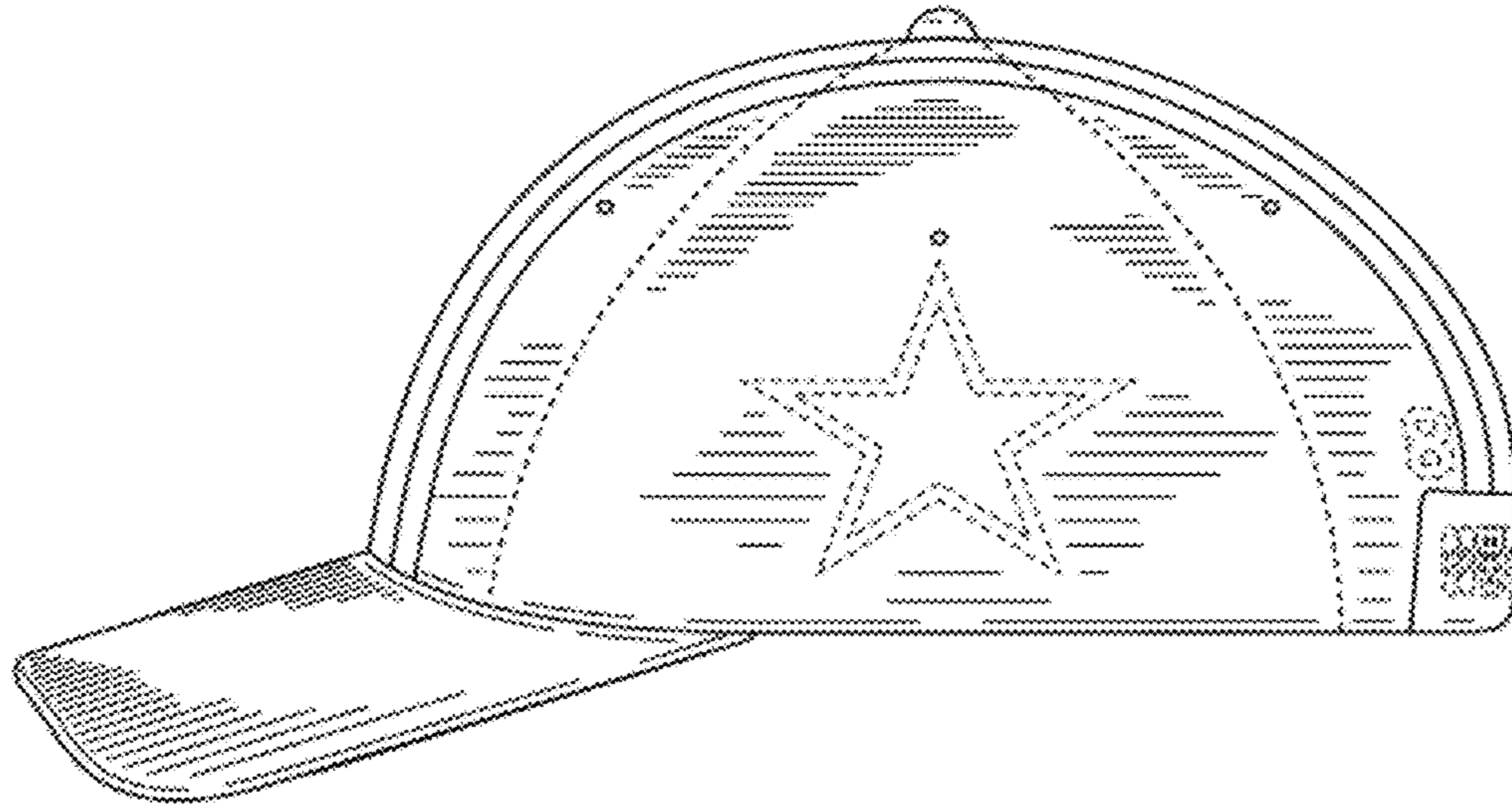


FIG. 11

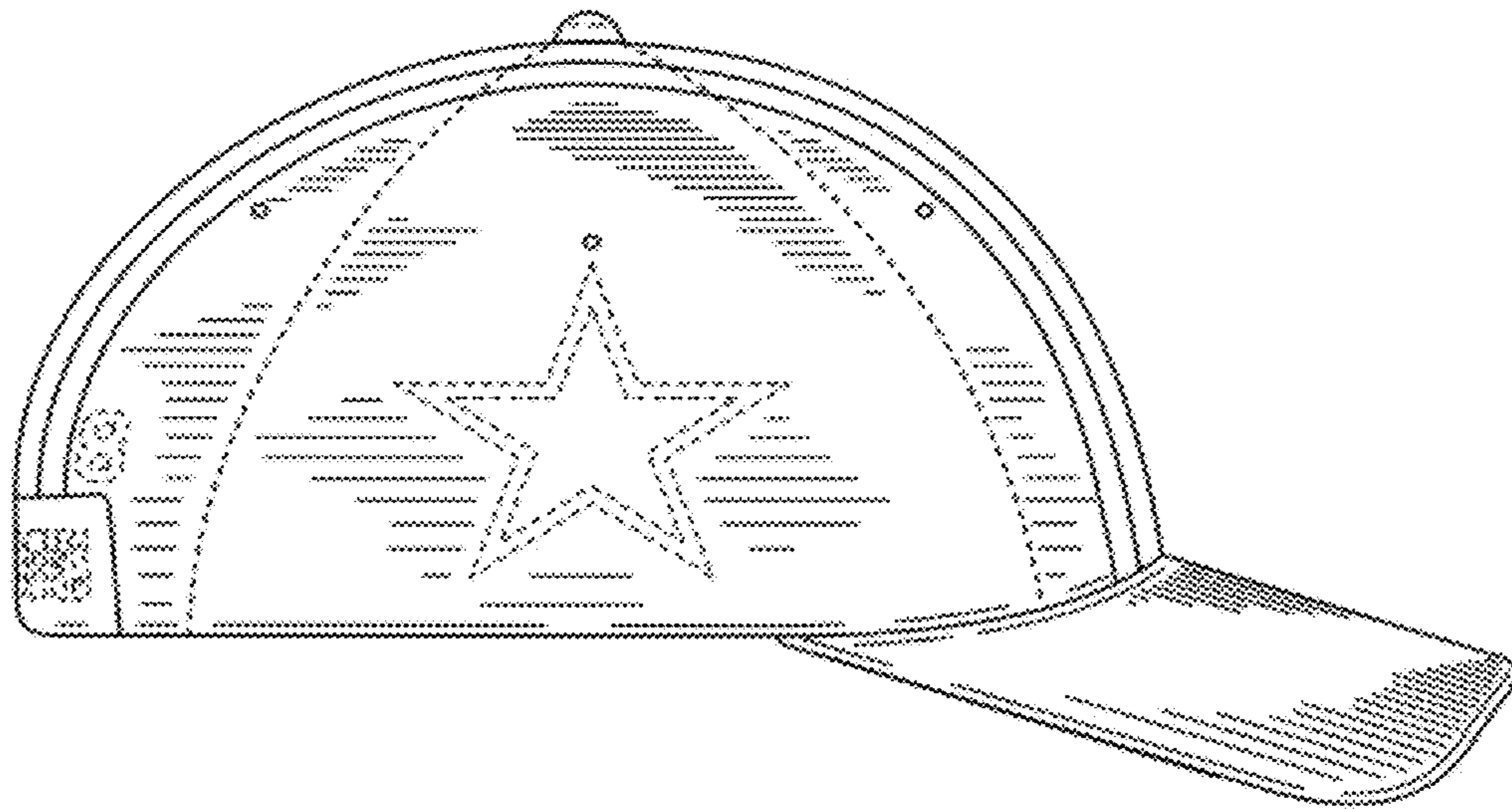


FIG. 12

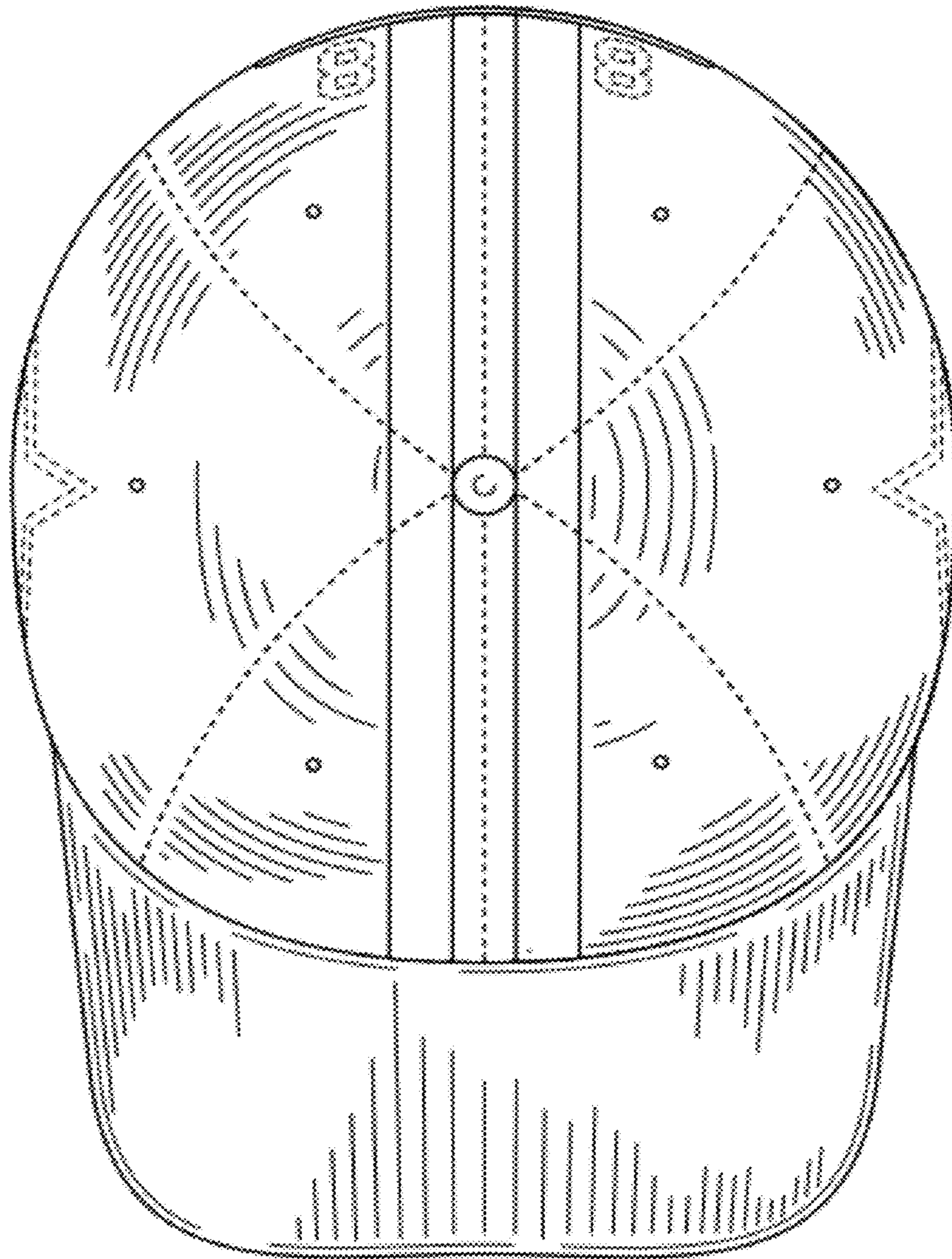


FIG. 13

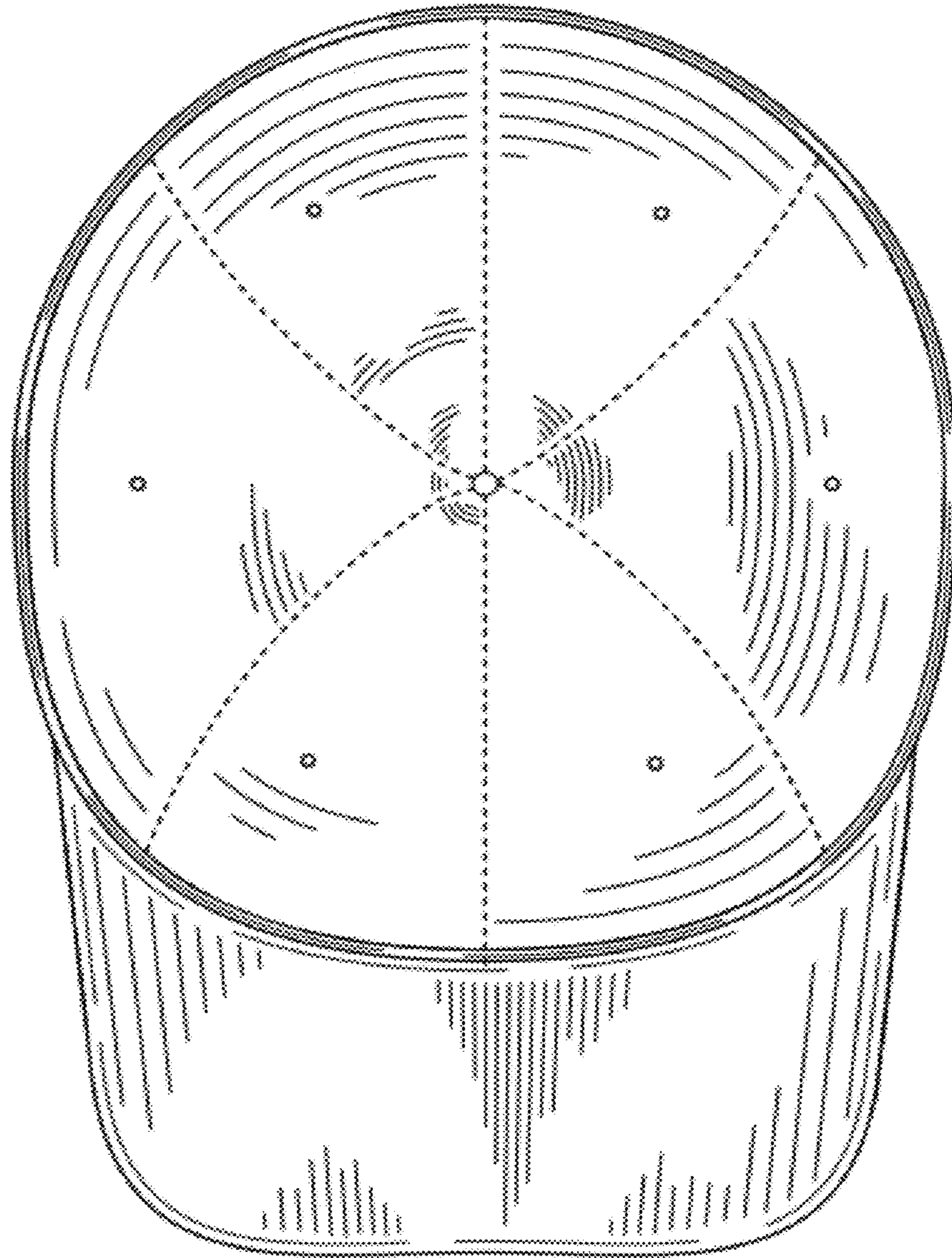


FIG. 14



FIG. 15

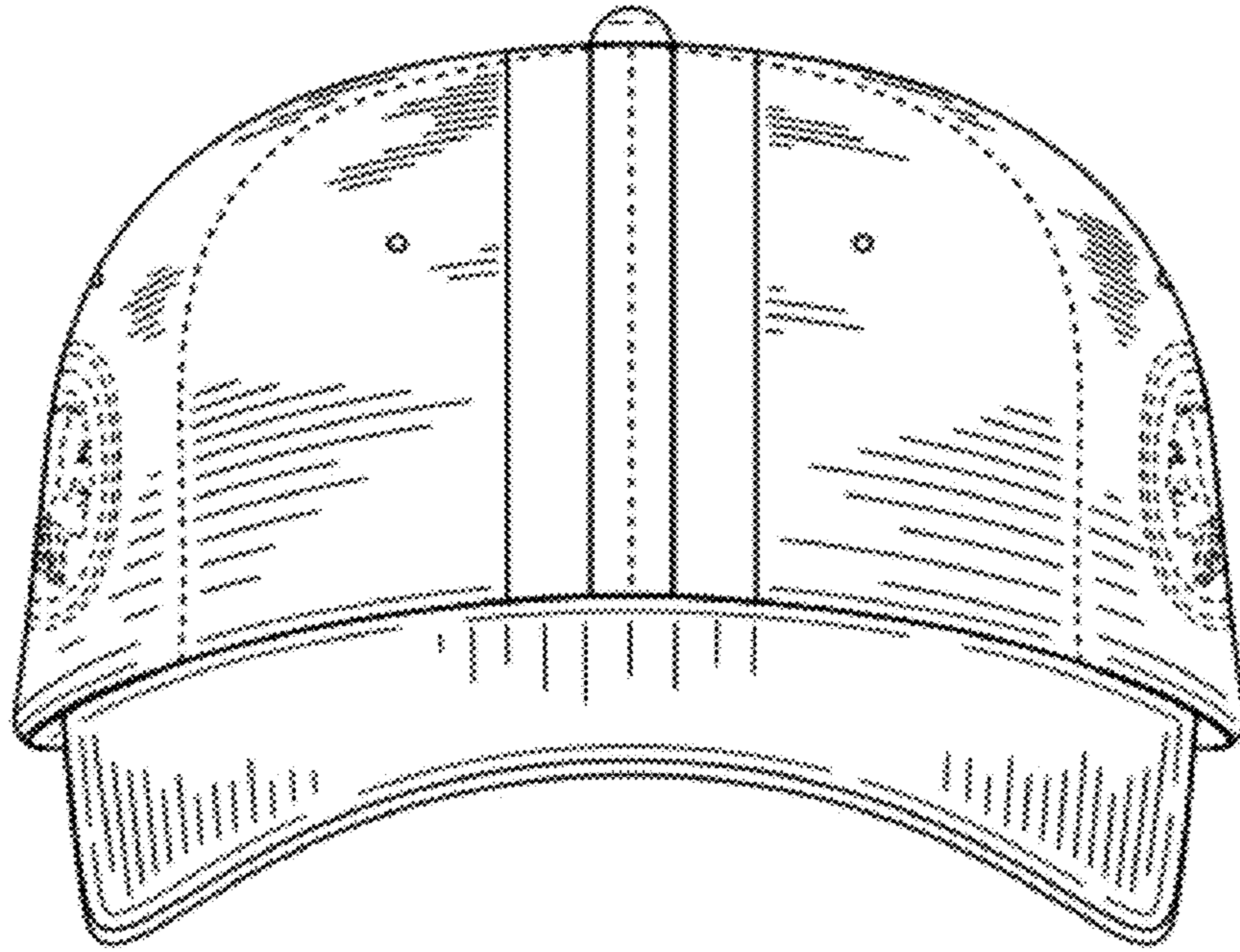


FIG. 16

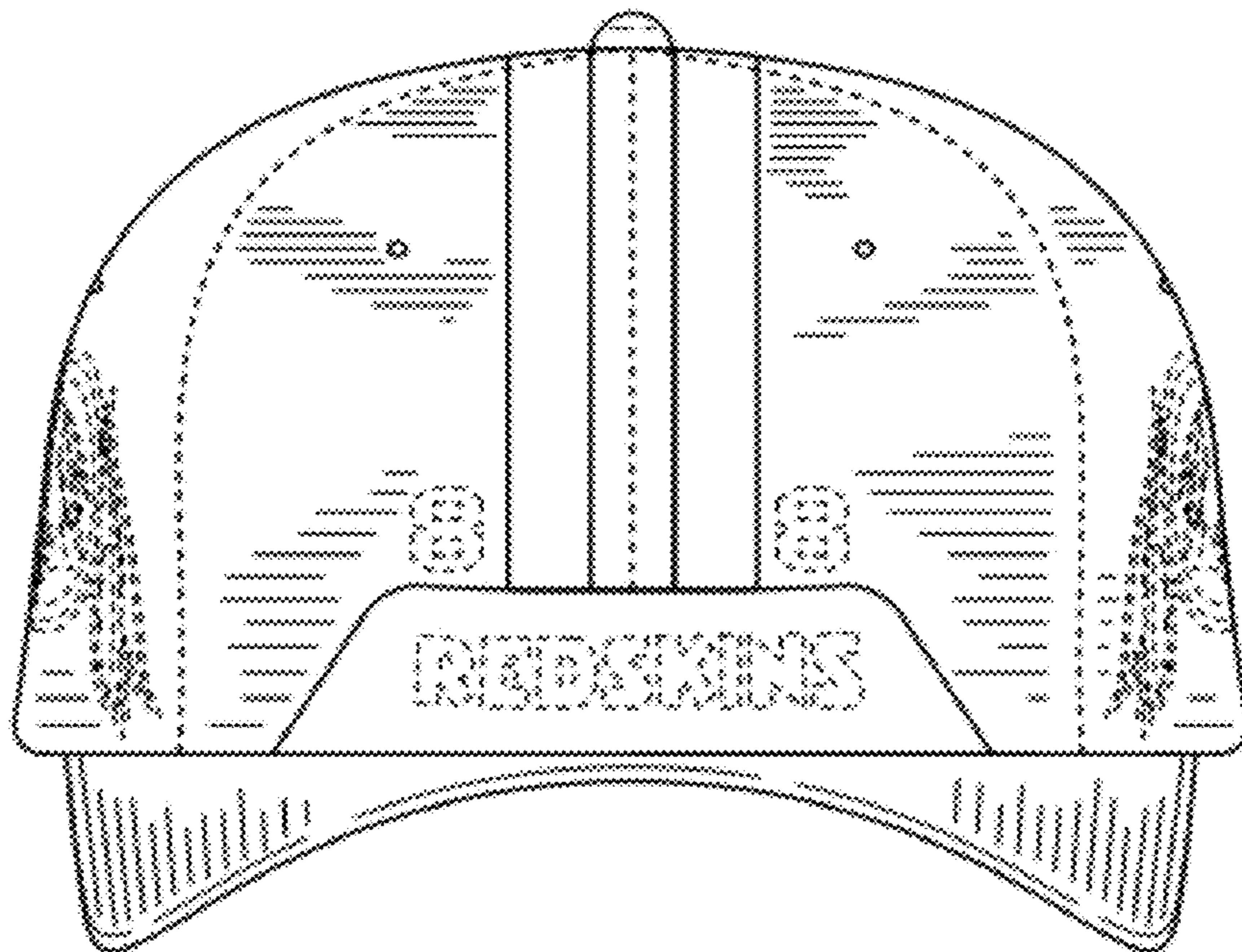


FIG. 17

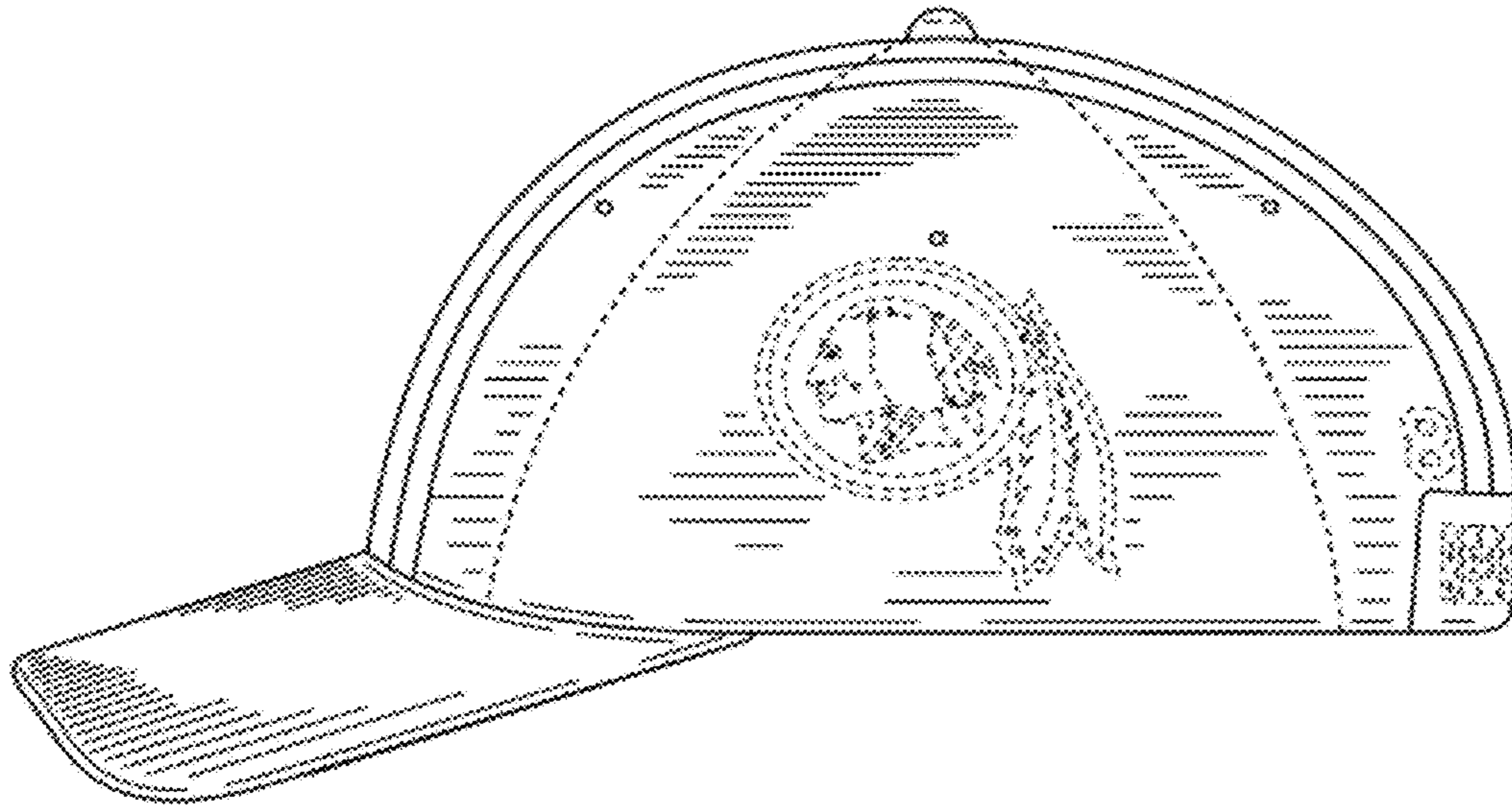


FIG. 18

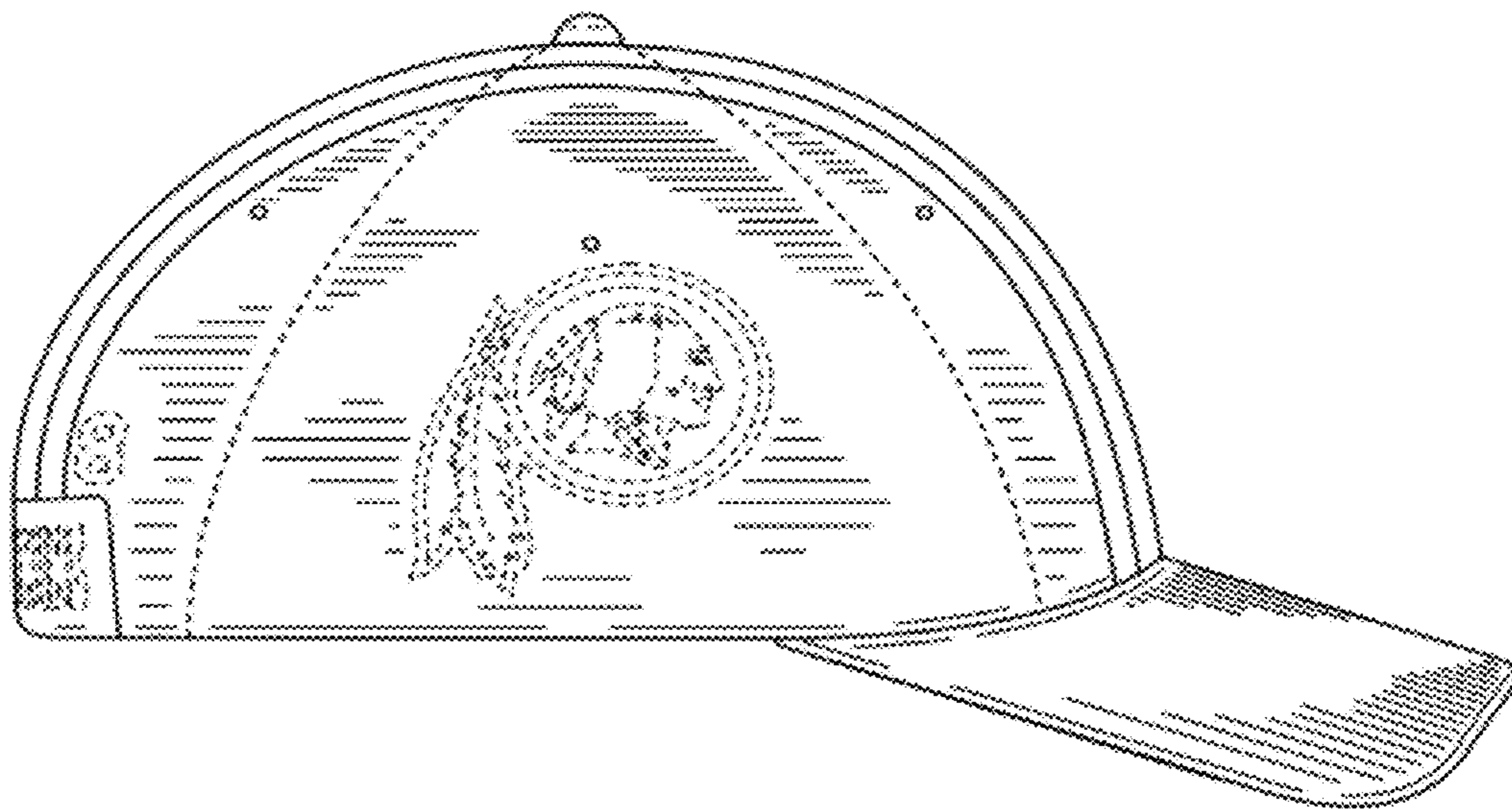


FIG. 19

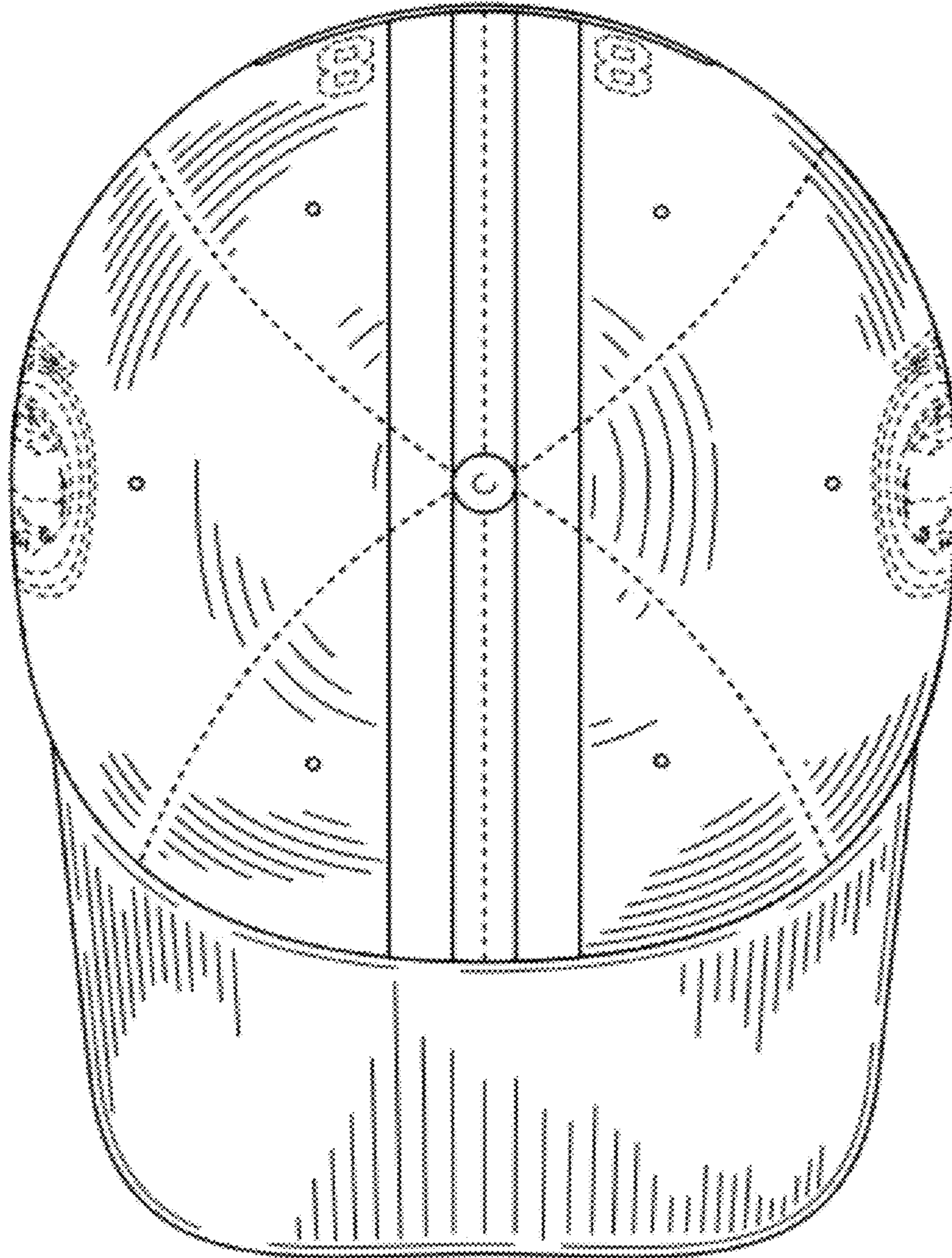


FIG. 20

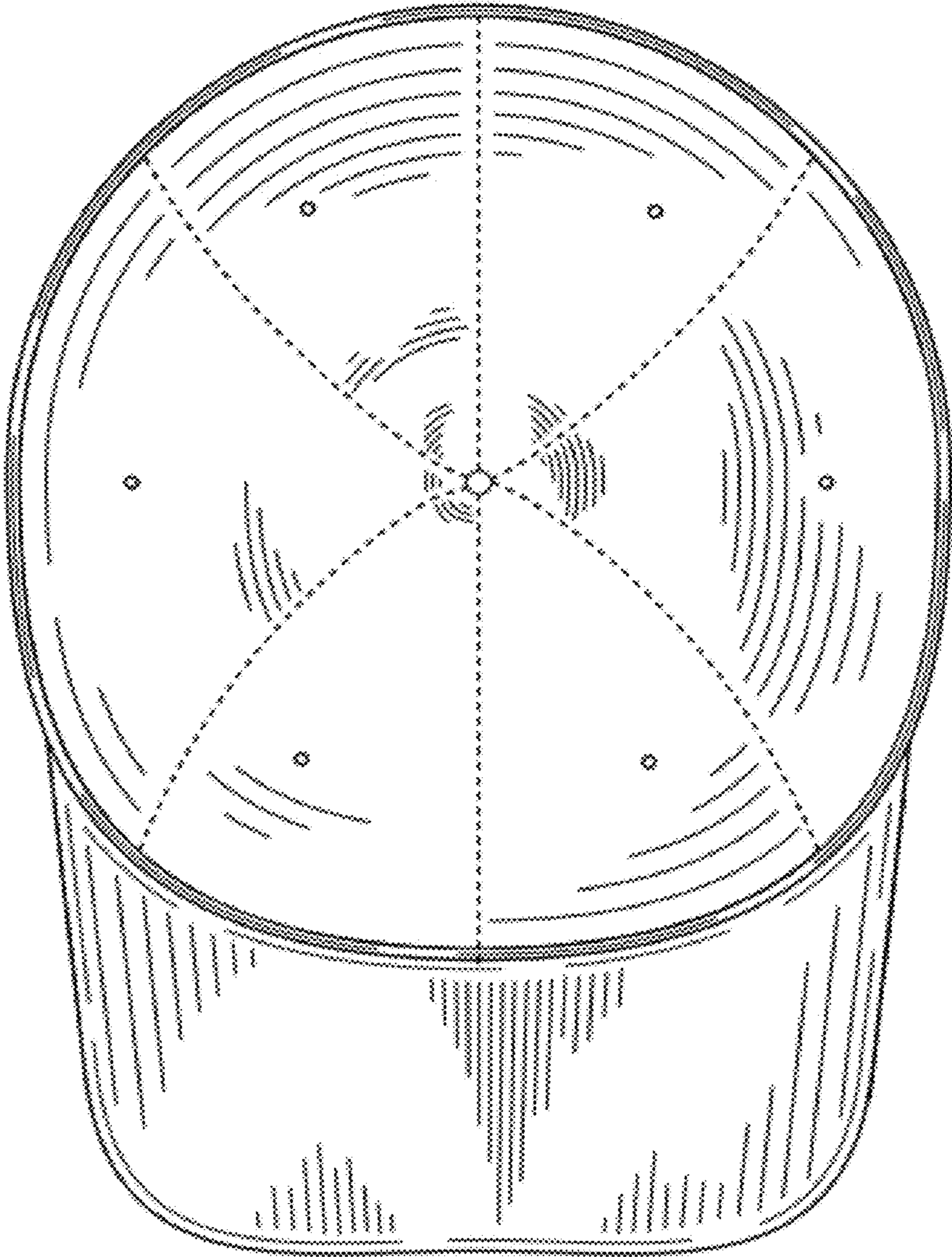


FIG. 21



FIG. 22

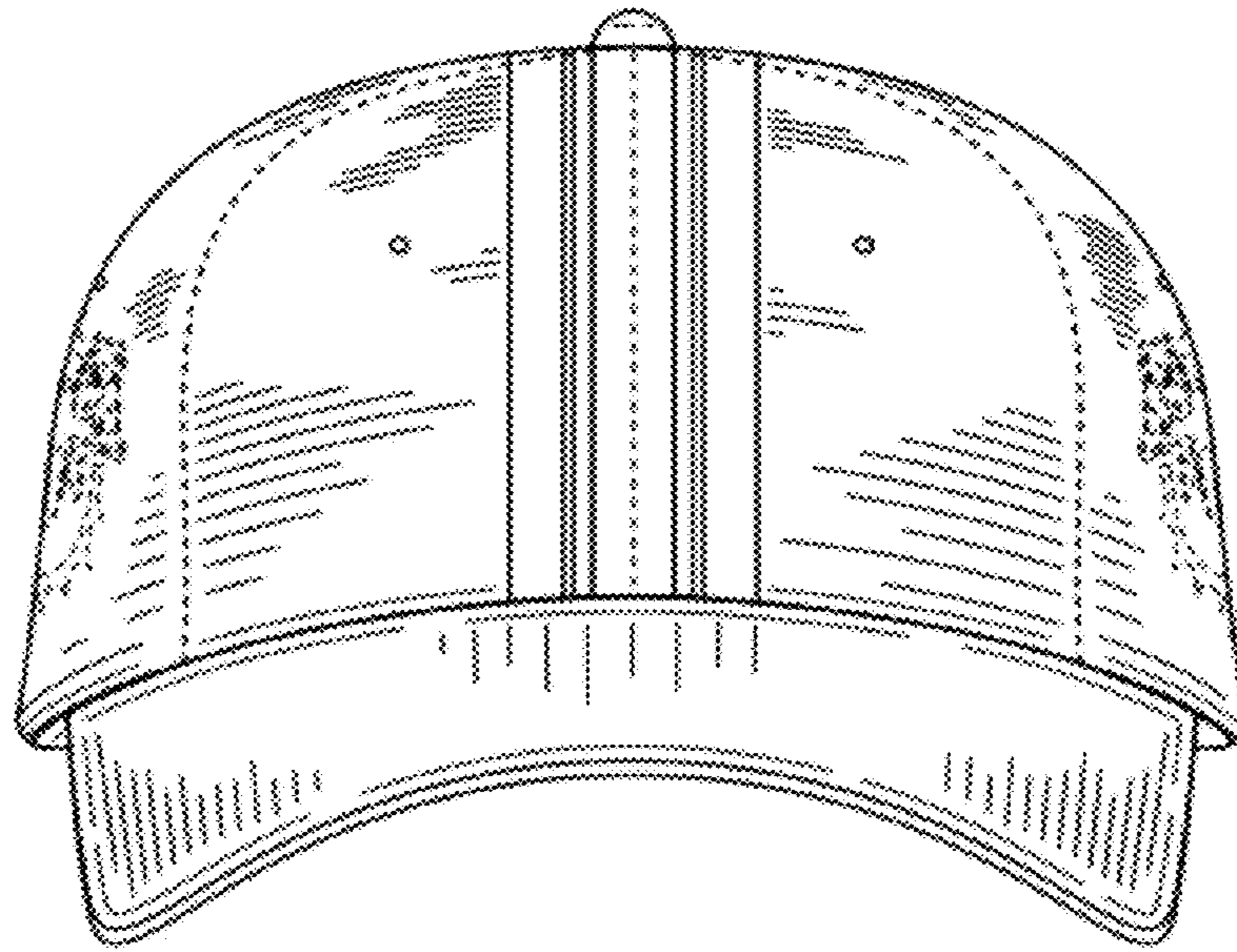


FIG. 23

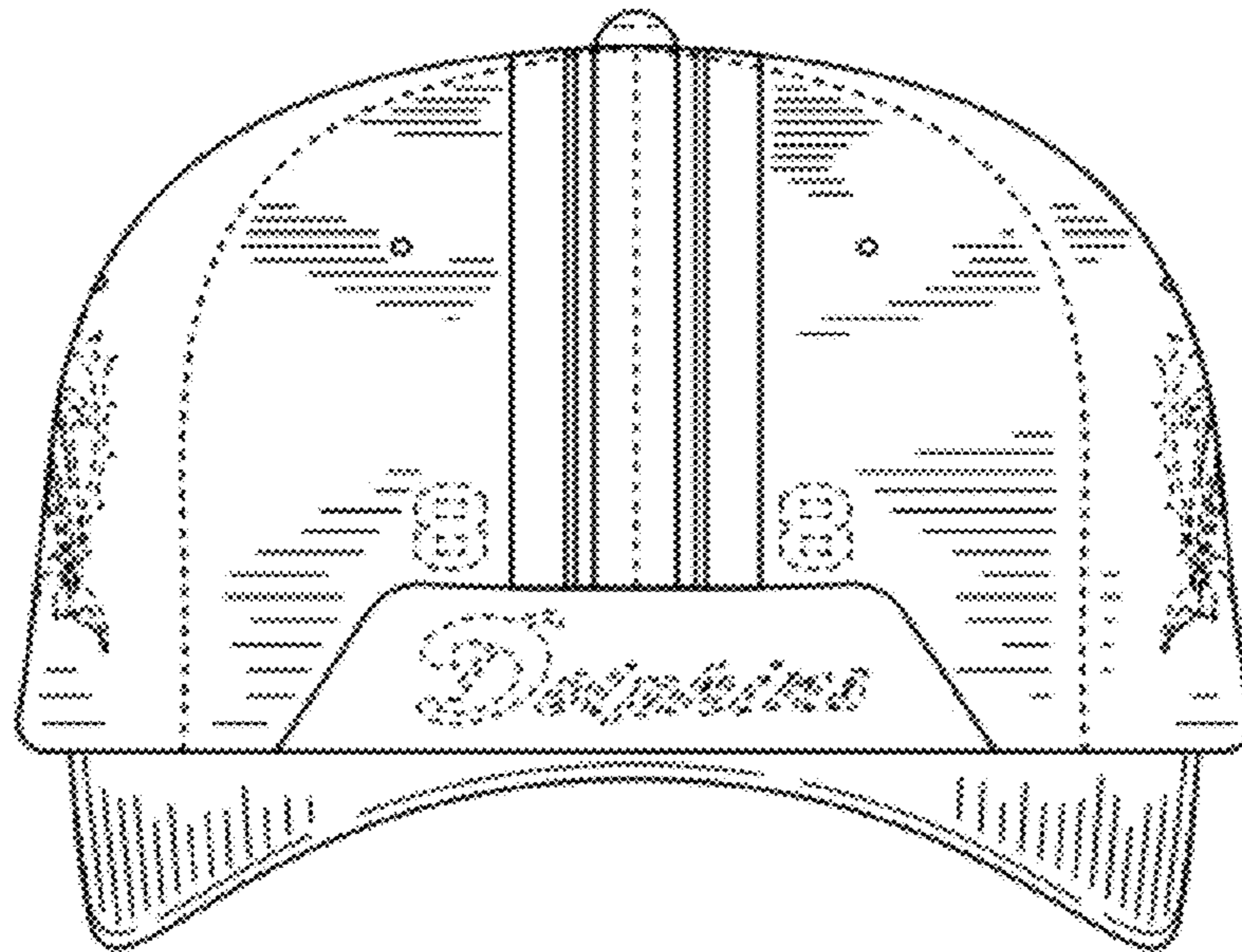


FIG. 24

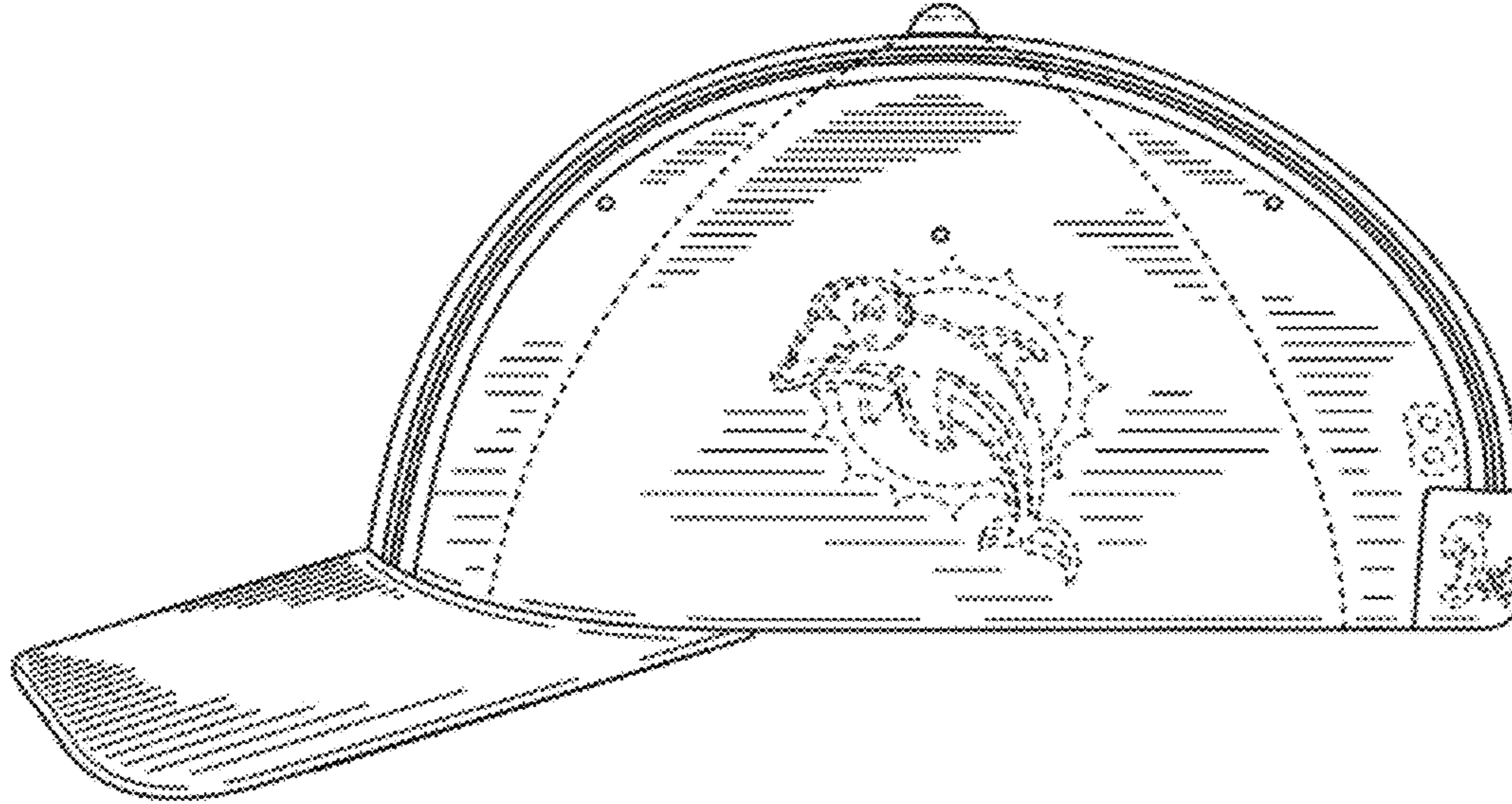


FIG. 25

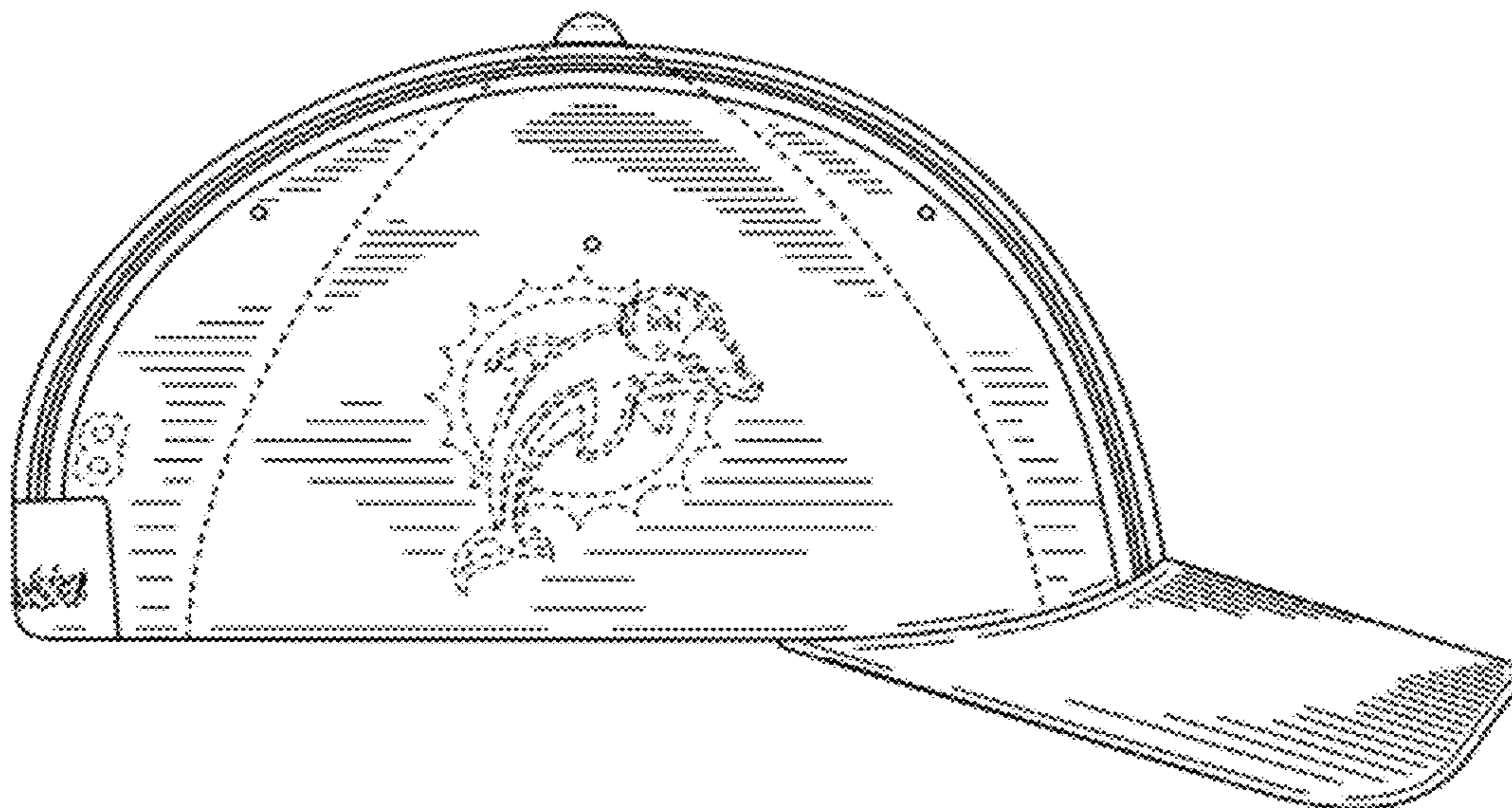


FIG. 26

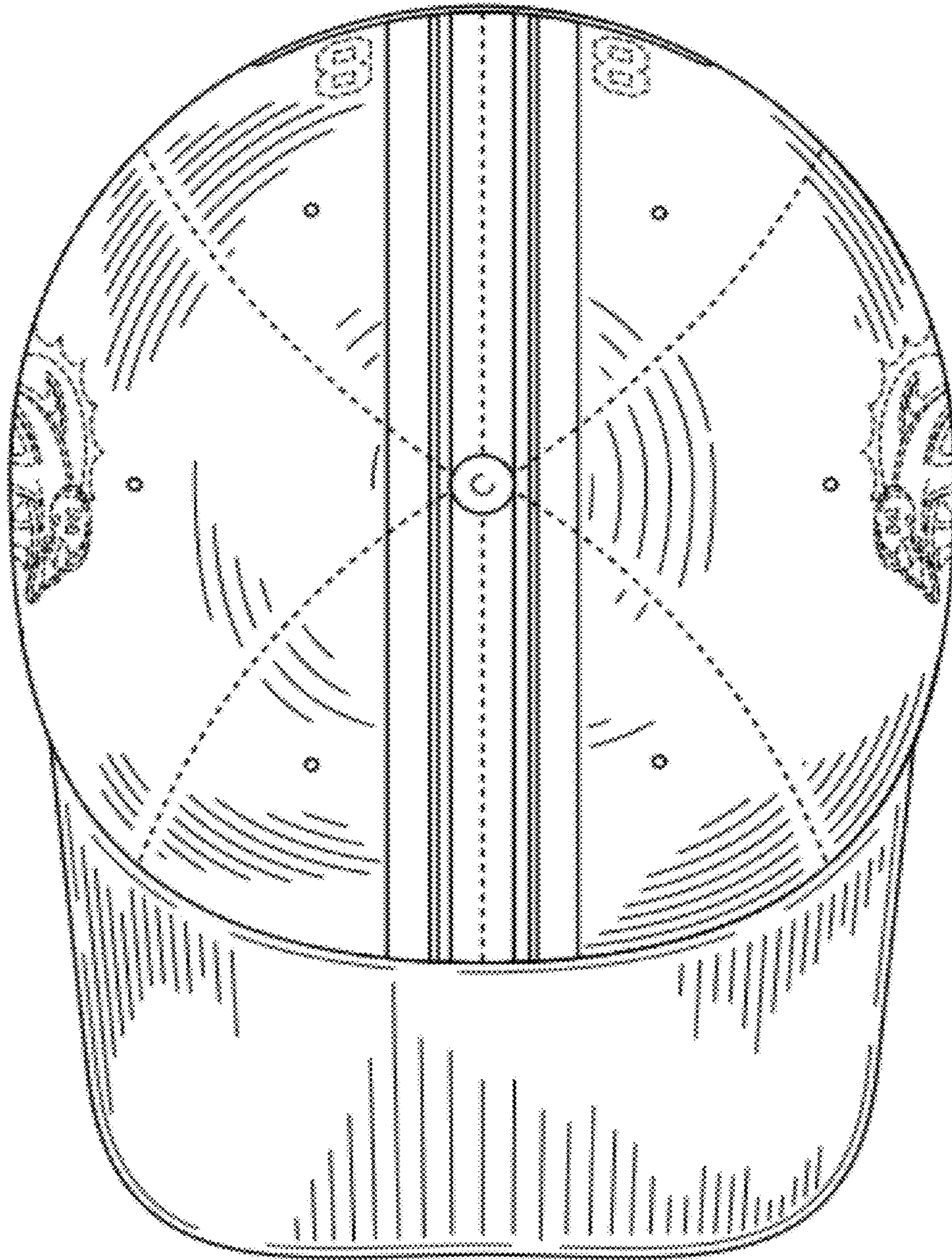


FIG. 27

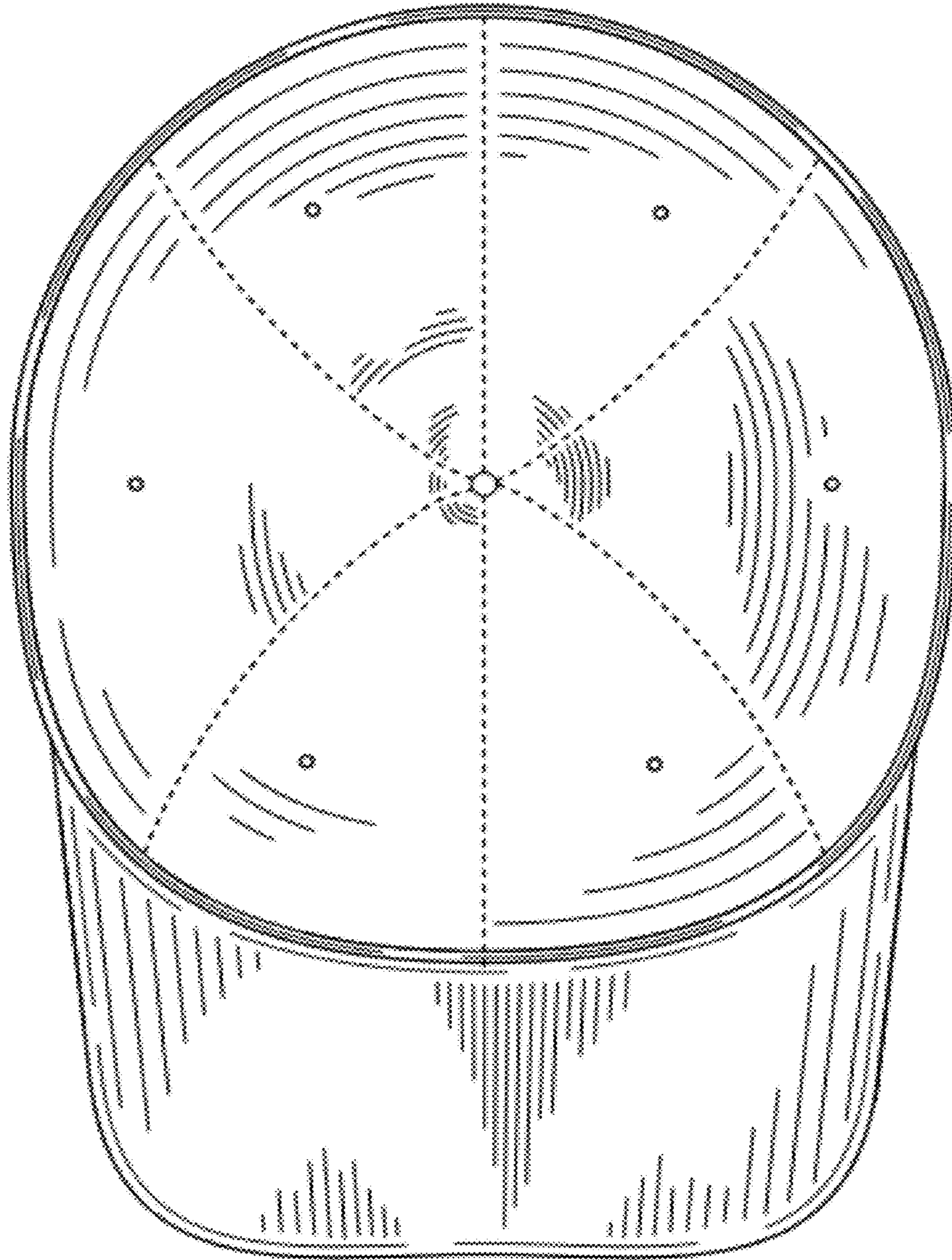


FIG. 28