

US00D663916S

(12) **United States Design Patent**  
**Bracey**

(10) **Patent No.:** **US D663,916 S**

(45) **Date of Patent:** **\*\* Jul. 24, 2012**

(54) **SEGMENTED TIE**

D398,435 S \* 9/1998 Gray ..... D2/605  
D480,532 S \* 10/2003 Bryant et al. .... D2/608  
D605,376 S \* 12/2009 Dickerson ..... D2/605

(76) Inventor: **Marshall R. Bracey**, Crystal River, FL  
(US)

**FOREIGN PATENT DOCUMENTS**

(\*\*) Term: **14 Years**

GB 4017505 \* 11/2010

\* cited by examiner

(21) Appl. No.: **29/394,351**

*Primary Examiner* — Karen E Eldridge Powers

(22) Filed: **Jun. 16, 2011**

(74) *Attorney, Agent, or Firm* — QuickPatents, Inc.; Kevin Prince

(51) **LOC (9) Cl.** ..... **02-05**

(52) **U.S. Cl.** ..... **D2/605**

(58) **Field of Classification Search** ..... D2/600,  
D2/601, 602, 603, 604, 605, 606, 607, 608,  
D2/609; 2/130, 144, 145, 146, 147, 148,  
2/149, 150, 151, 152.1, 153, 154, 155, 156,  
2/157

(57) **CLAIM**

I claim the ornamental design for a segmented tie, as shown and described.

See application file for complete search history.

**DESCRIPTION**

FIG. 1 is a perspective view of a segmented tie, showing my new design;

FIG. 2 is a front elevational view thereof;

FIG. 3 is a rear elevational view thereof;

FIG. 4 is a left-side elevational view thereof;

FIG. 5 is a right-side elevational view thereof;

FIG. 6 is a top plan view thereof; and,

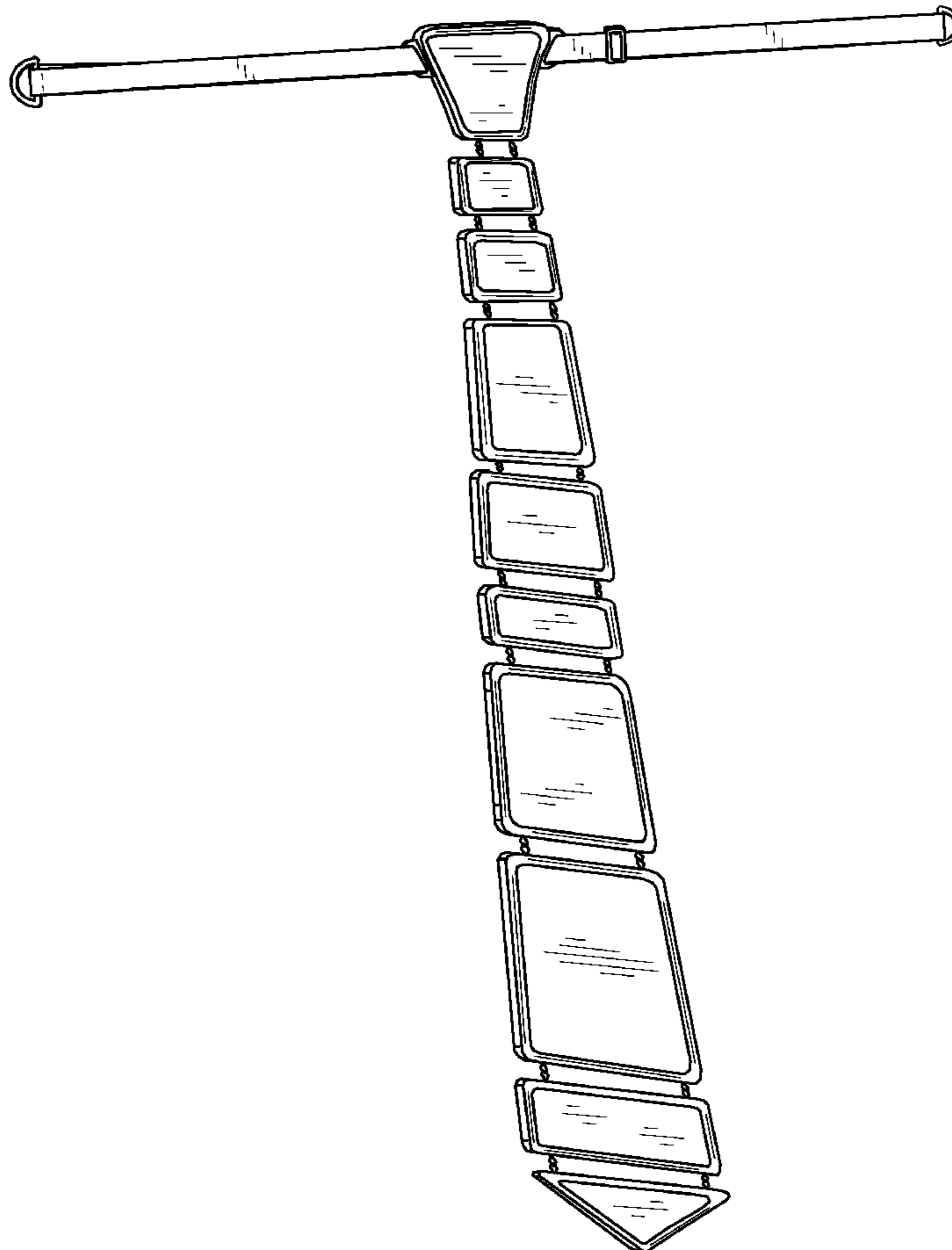
FIG. 7 is a bottom plan view thereof.

(56) **References Cited**

**U.S. PATENT DOCUMENTS**

D161,798 S \* 1/1951 Spielmann ..... D2/605  
4,546,494 A \* 10/1985 Garber ..... 2/144  
D318,754 S \* 8/1991 Hughes ..... D2/605  
D320,499 S \* 10/1991 White et al. .... D2/605  
5,673,434 A \* 10/1997 Risk ..... 2/144

**1 Claim, 5 Drawing Sheets**



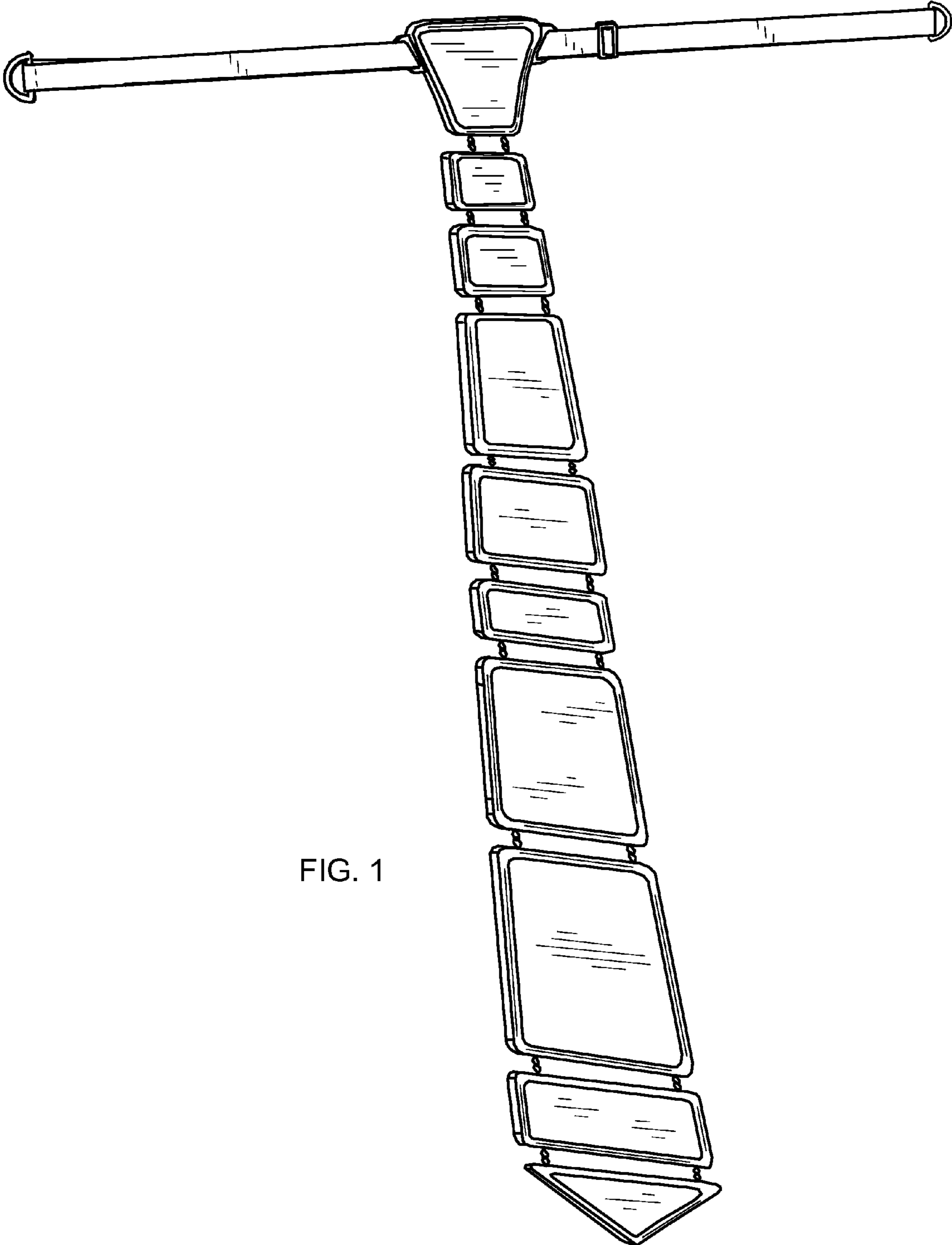


FIG. 1

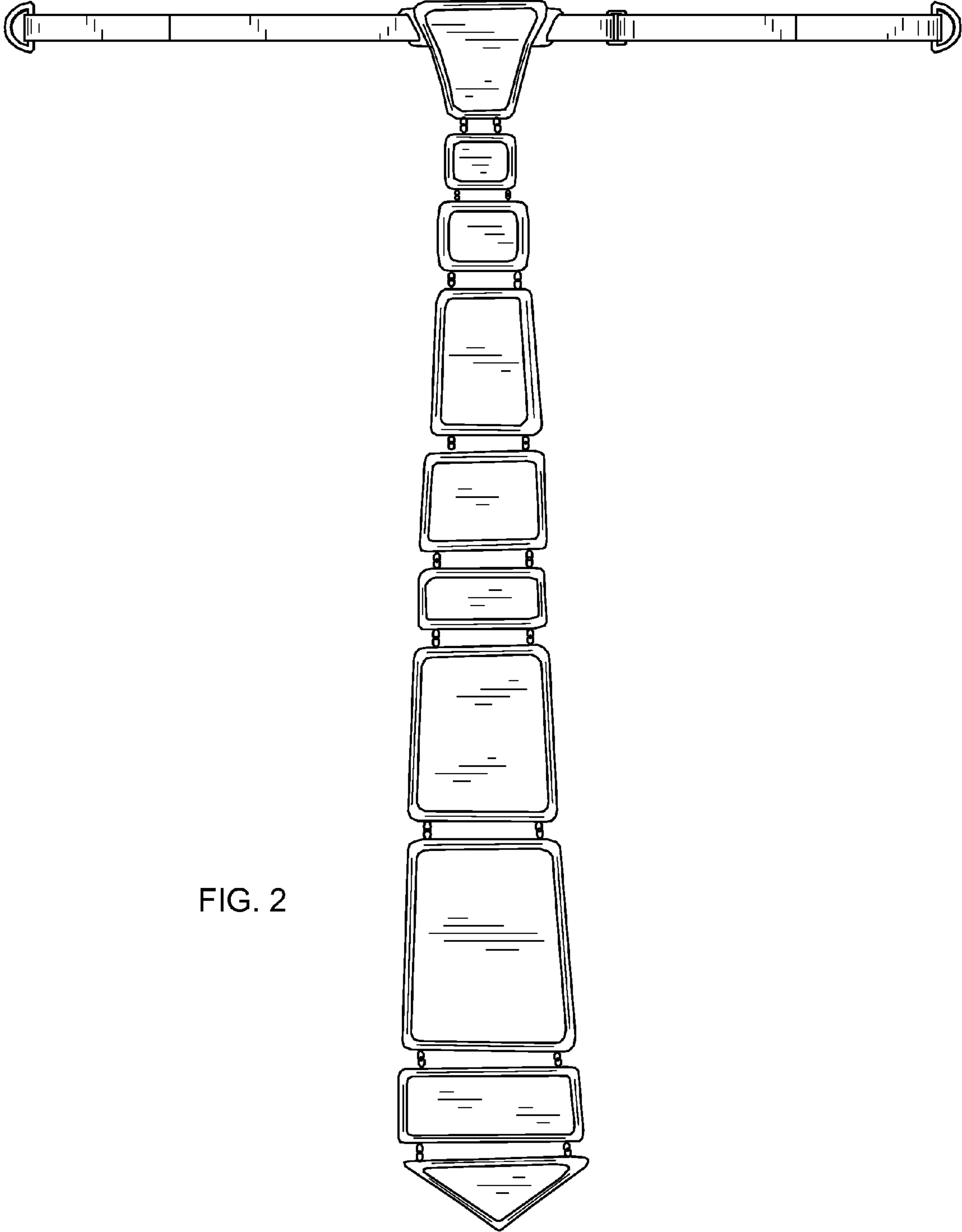


FIG. 2

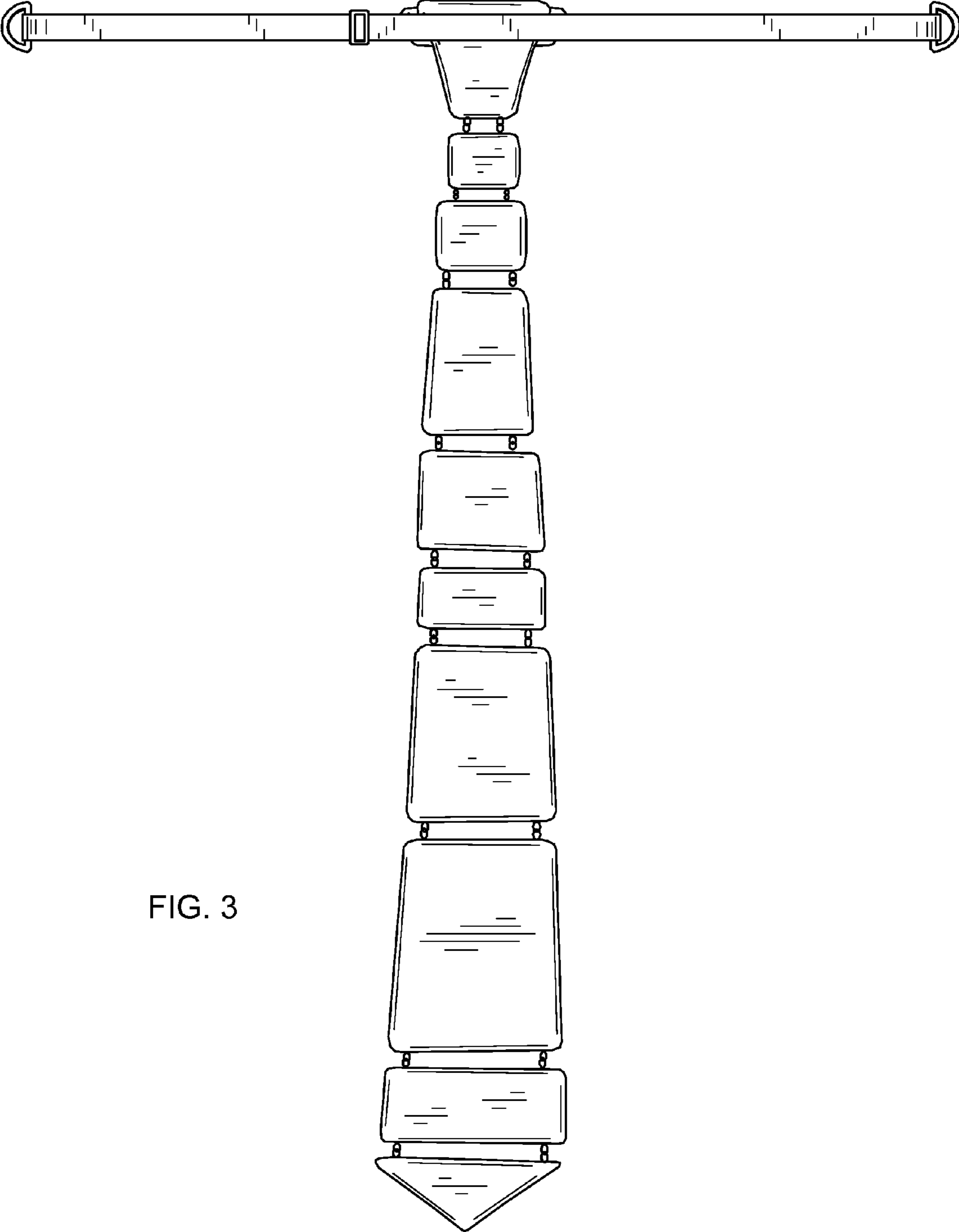


FIG. 3

FIG. 4



FIG. 5



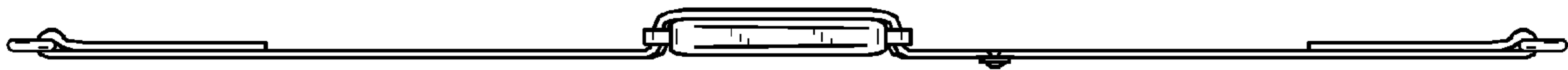


FIG. 6



FIG. 7