



US00D663915S

(12) **United States Design Patent**
Skov

(10) **Patent No.:** **US D663,915 S**
(45) **Date of Patent:** **** Jul. 17, 2012**

(54) **COFFIN**
(75) **Inventor:** **Bendt Skov, København Ø (DK)**
(73) **Assignee:** **Beco Consult ApS (DK)**
(**) **Term:** **14 Years**
(21) **Appl. No.:** **29/391,648**

4,288,952 A *	9/1981	Work	52/138
4,315,353 A *	2/1982	Sorensen	27/2
4,320,562 A *	3/1982	Kelley	27/2
4,800,631 A *	1/1989	Pellmann	27/7
D300,978 S *	5/1989	Bethune et al.	D99/1
D355,520 S *	2/1995	Harrill	D99/1
D356,420 S *	3/1995	Etzel et al.	D99/1
5,485,661 A *	1/1996	McClure	27/7
D420,193 S *	2/2000	Cummings	D99/1
6,318,030 B1 *	11/2001	McClure et al.	52/136

* cited by examiner

(22) **Filed:** **May 11, 2011**
(51) **LOC (9) Cl.** **99-00**
(52) **U.S. Cl.** **D99/1**
(58) **Field of Classification Search** D99/1,
D99/2, 11, 12; 27/1, 2, 6, 7, 16, 32, 34, 35;
52/128, 131; D9/432, 434, 433, 414; 229/117.15,
229/156; 220/4.28, 6, 7, 618
See application file for complete search history.

Primary Examiner — Paula Greene
(74) *Attorney, Agent, or Firm* — St. Onge Steward Johnston
& Reens LLC

(57) **CLAIM**
The ornamental design for a coffin, as shown and described.

DESCRIPTION

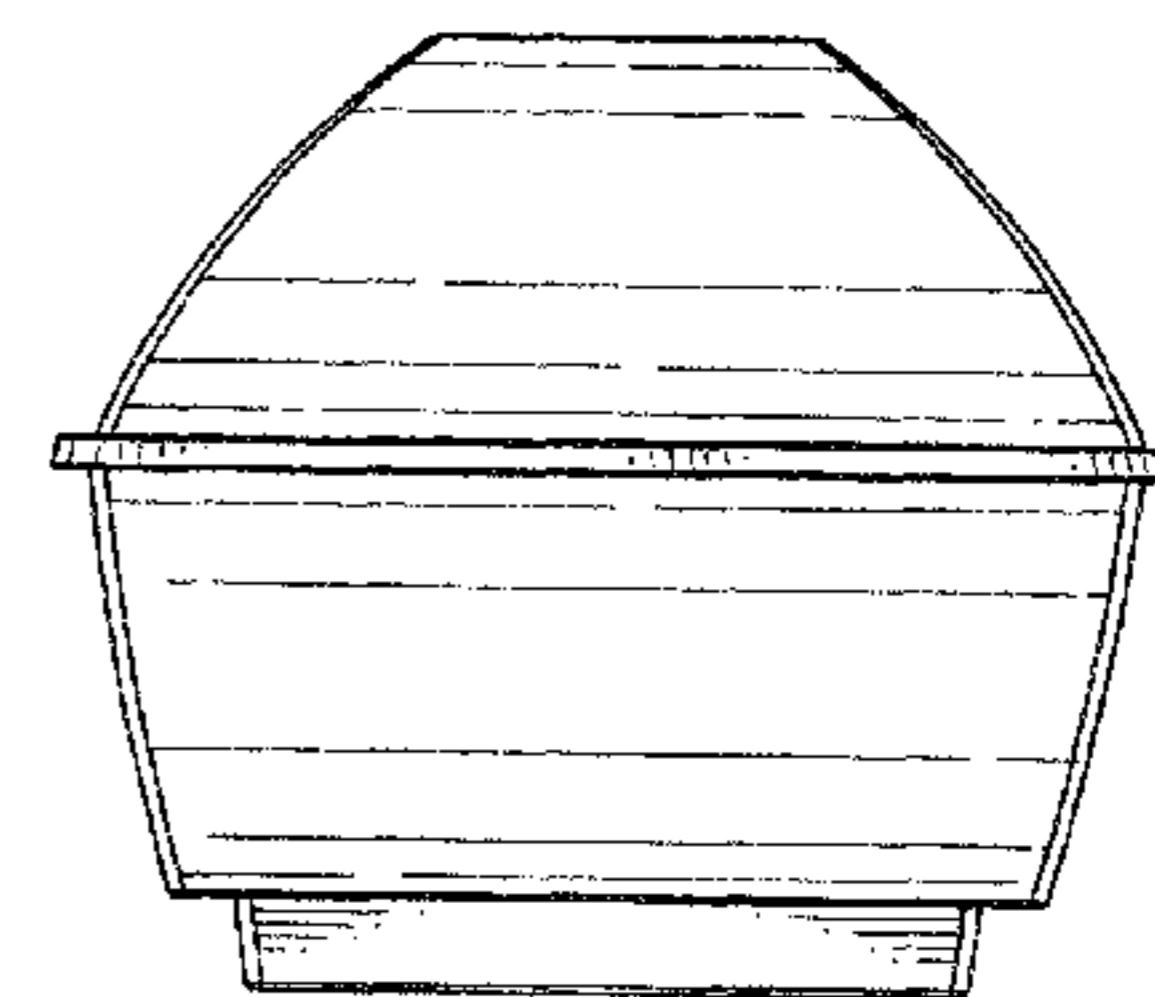
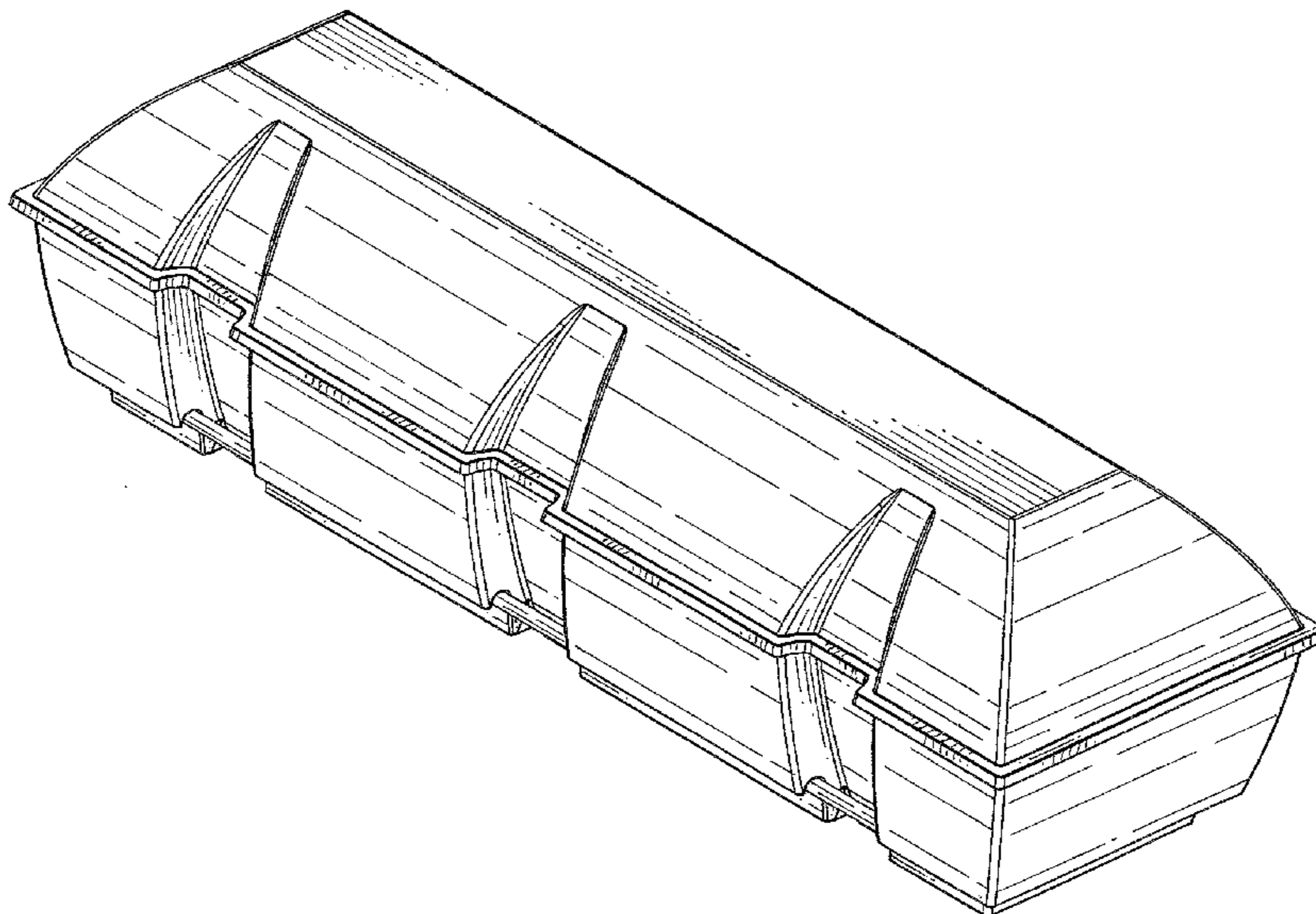
FIG. 1 is a top, front and right side perspective view of a coffin in accordance with the new design;
FIG. 2 is a top plan view thereof;
FIG. 3 is a bottom plan view thereof;
FIG. 4 is a front elevation view thereof;
FIG. 5 is a rear elevation view thereof;
FIG. 6 is a right side elevation view thereof; and,
FIG. 7 is a left side elevation view thereof.

1 Claim, 7 Drawing Sheets

(56) **References Cited**

U.S. PATENT DOCUMENTS

1,065,579 A *	6/1913	Bentley	27/35
2,974,390 A *	3/1961	Nelson	27/7
3,490,114 A *	1/1970	Connelly et al.	27/2
3,868,799 A *	3/1975	Hayward	52/131
D242,153 S *	11/1976	Kalamazoo	D99/1
4,034,447 A *	7/1977	Kollmann et al.	27/7
4,253,220 A *	3/1981	Work	27/35



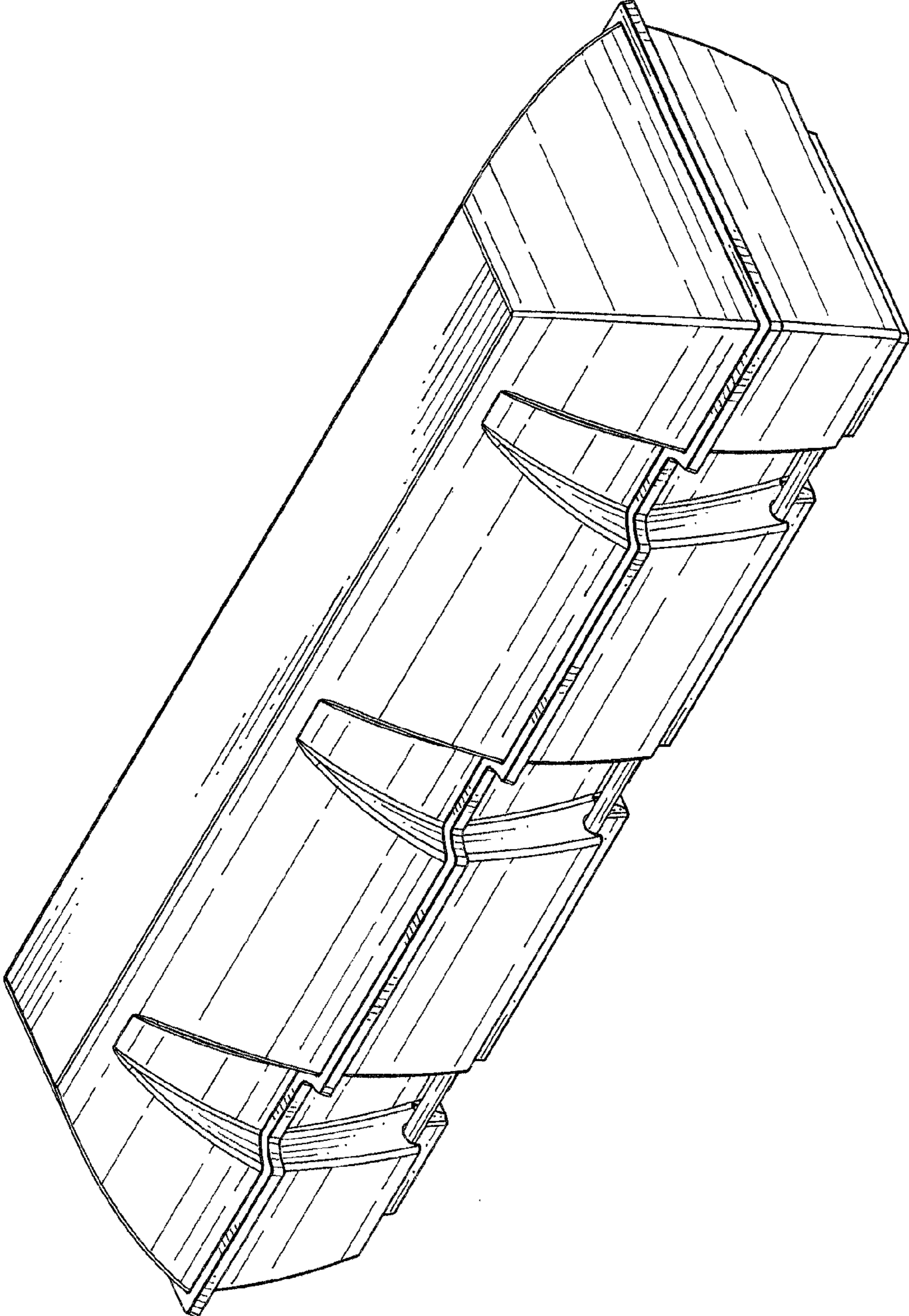


FIG. 1

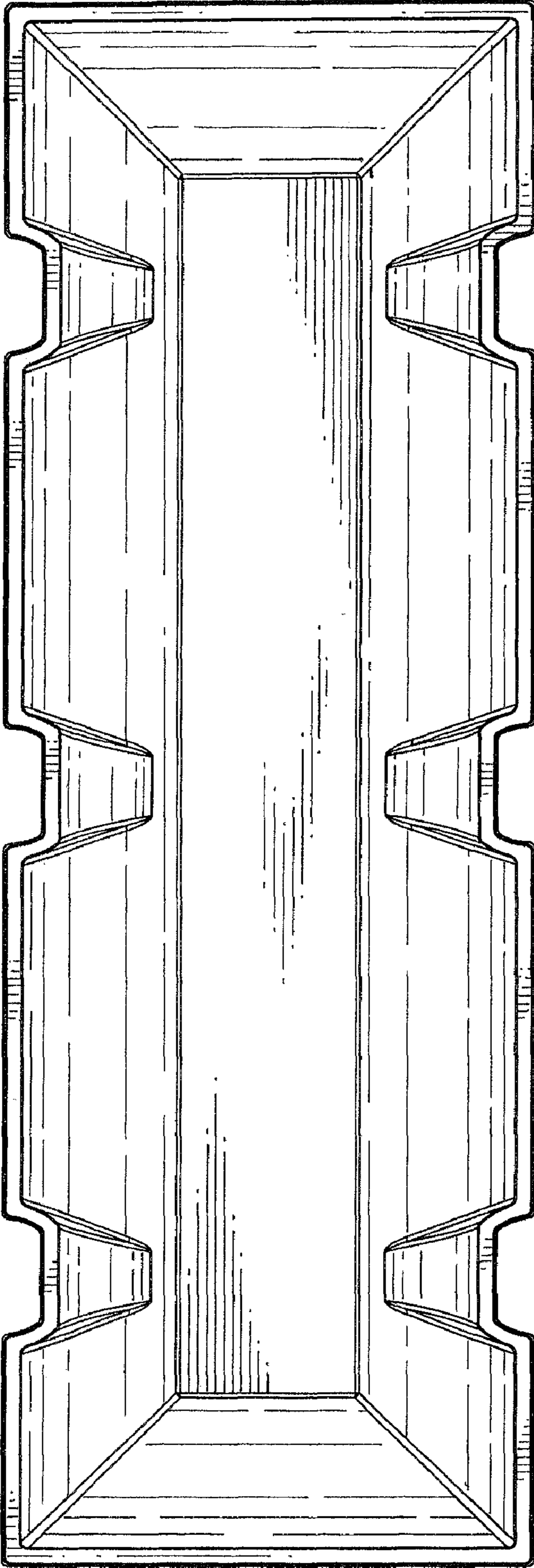


FIG. 2

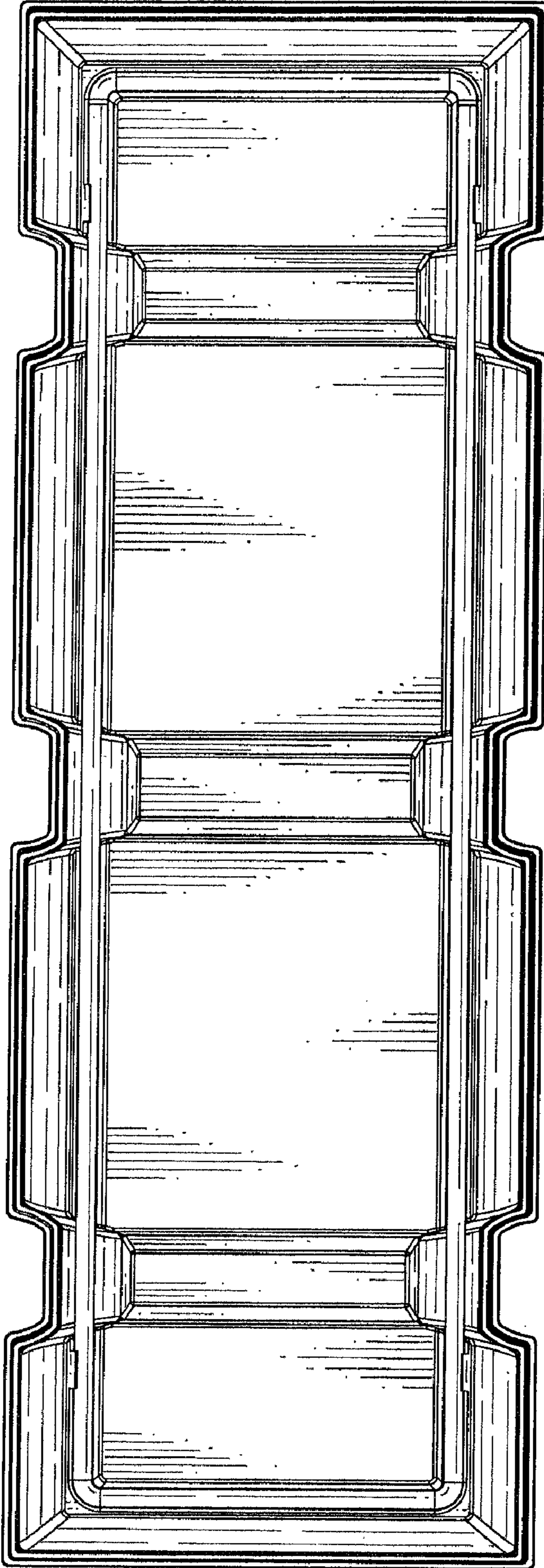


FIG. 3

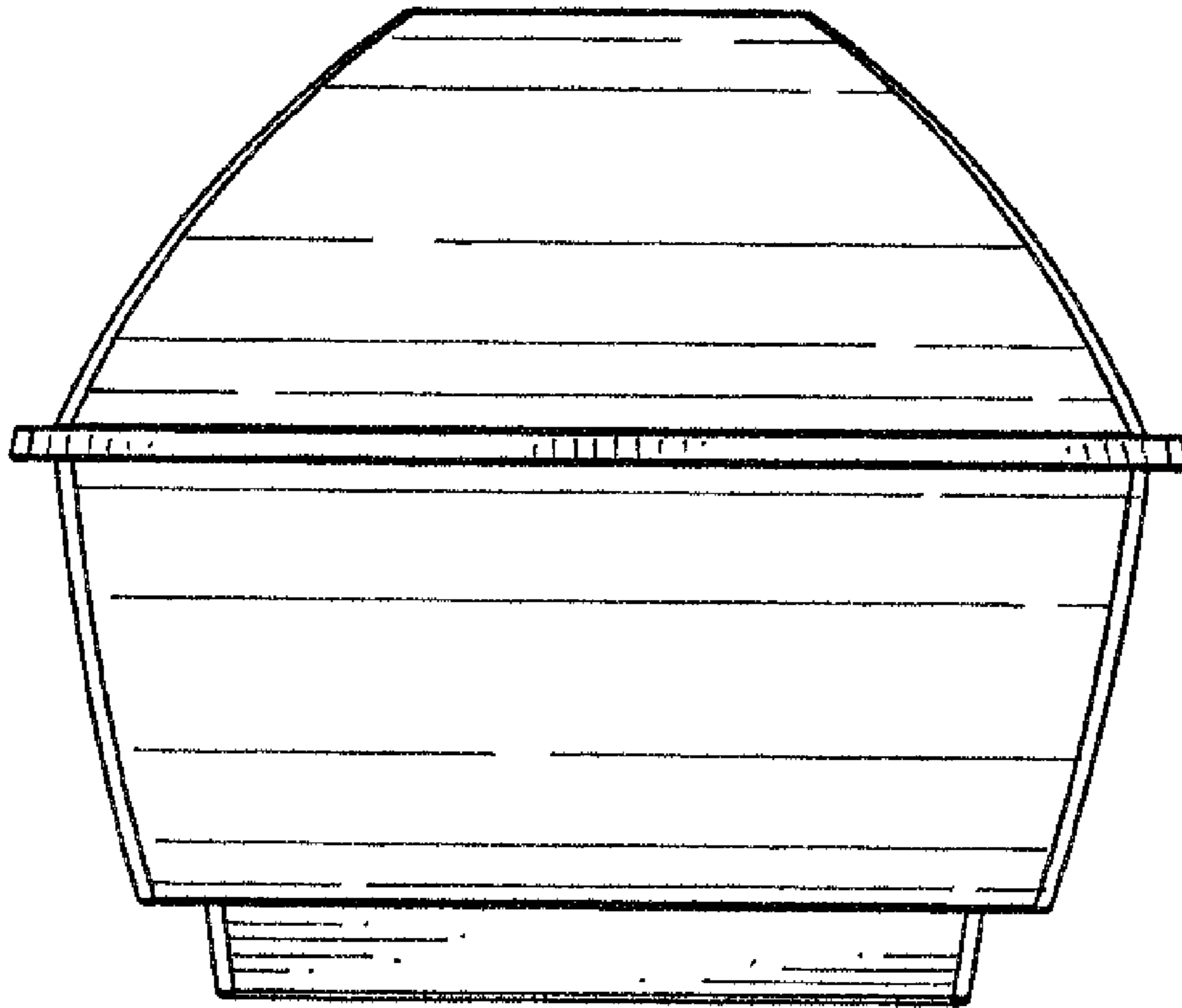


FIG. 4

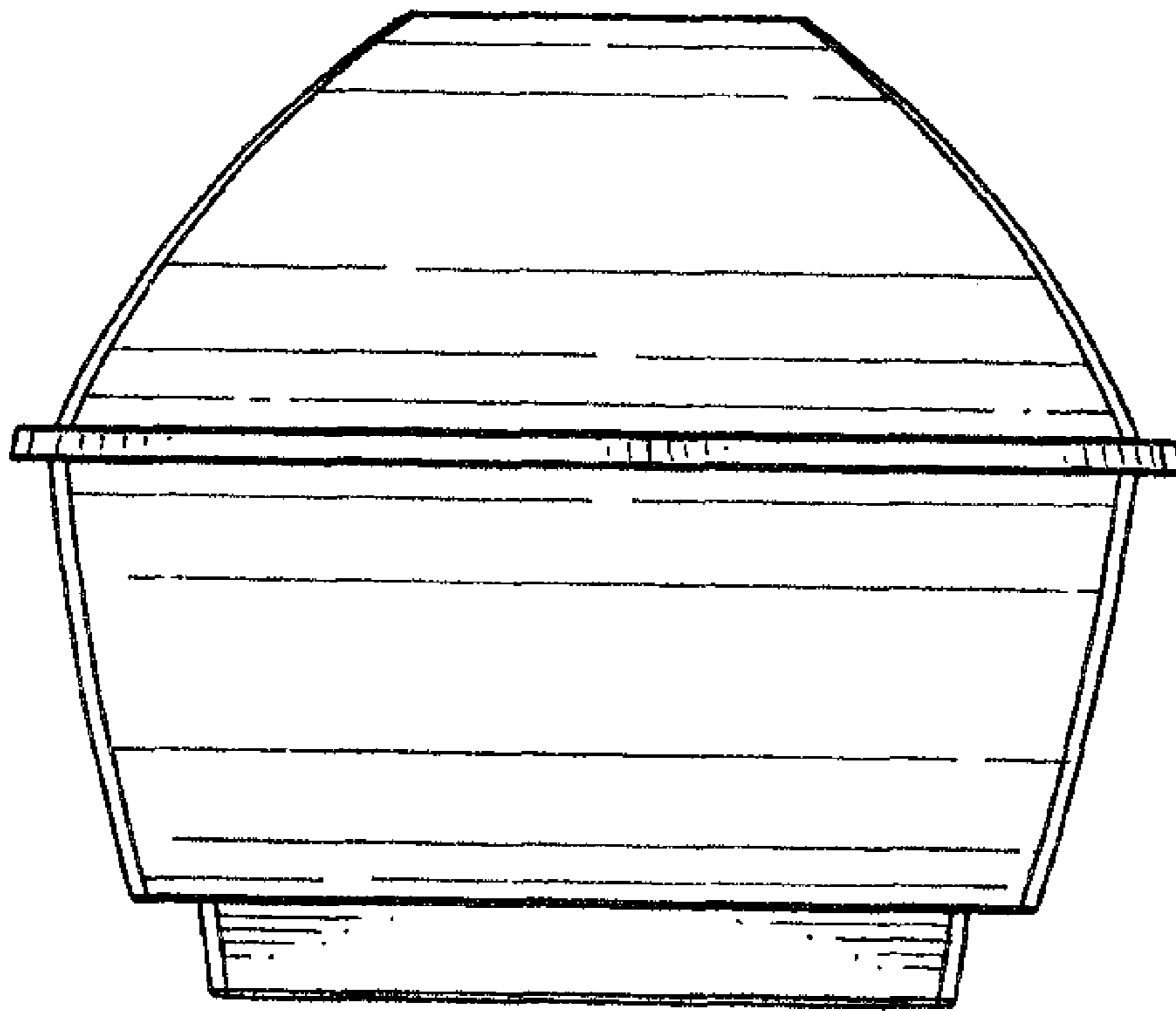


FIG. 5

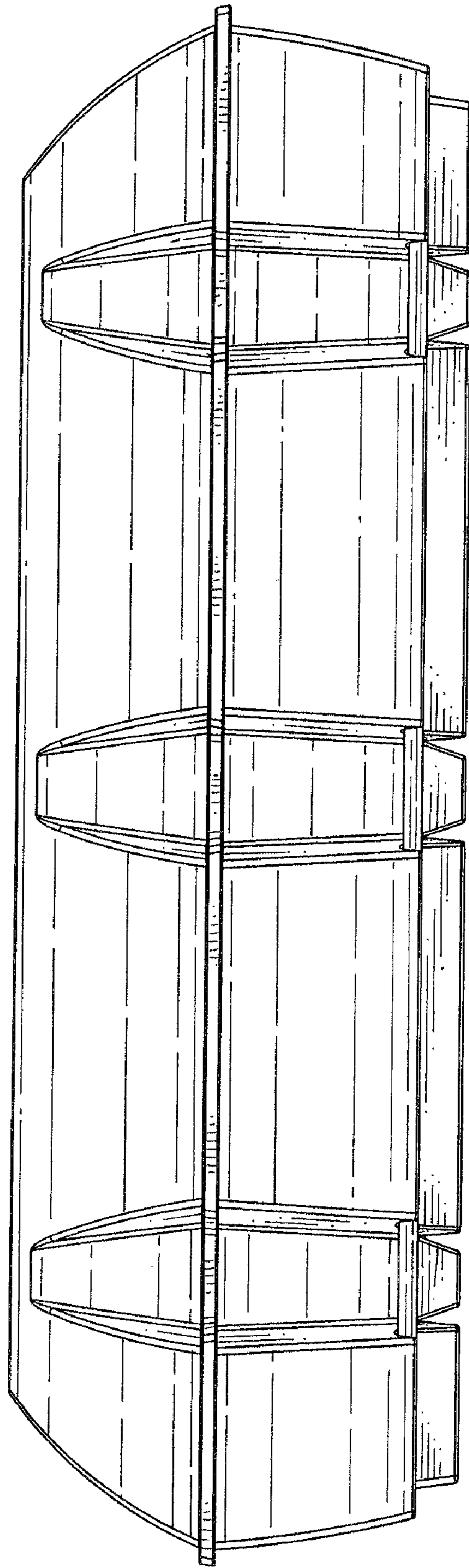


FIG. 6

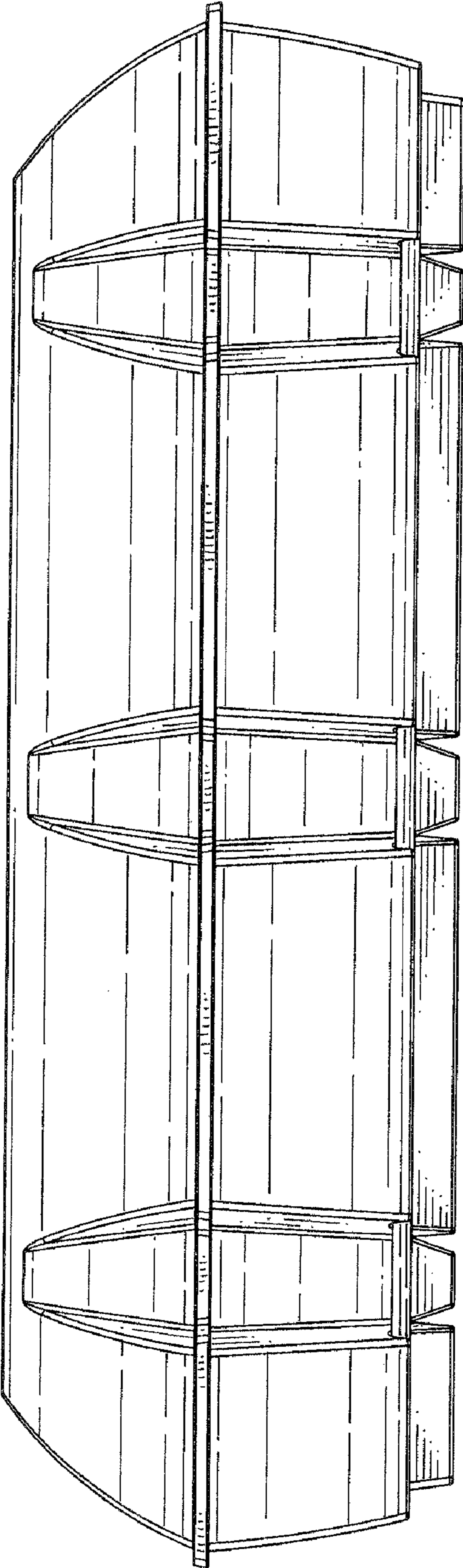


FIG. 7