

US00D663912S

(12) **United States Design Patent**
Le

(10) **Patent No.:** **US D663,912 S**
(45) **Date of Patent:** **** Jul. 17, 2012**

(54) **TRAY DRYING RACK**

(75) Inventor: **Johannes Le**, Huntington Beach, CA (US)

(73) Assignee: **Cambro Manufacturing Co.**, Huntington Beach, CA (US)

(**) Term: **14 Years**

(21) Appl. No.: **29/416,722**

(22) Filed: **Mar. 26, 2012**

(51) **LOC (9) Cl.** **07-05**

(52) **U.S. Cl.** **D32/55**

(58) **Field of Classification Search** D32/55,
D32/276, 3, 271; D6/510, 525, 462, 477,
D6/479, 465, 491, 511, 571, 570, 514; D30/133;
211/41.5, 41.4, 41.3, 41.8; 361/679.4; 312/311,
312/333, 334.4; D7/667, 354, 357; D15/90
See application file for complete search history.

(56) **References Cited**

U.S. PATENT DOCUMENTS

1,889,146 A * 11/1932 Kalenoff 220/23.8
D173,711 S * 12/1954 Roop D32/55
3,027,041 A * 3/1962 Stansbury, Jr. et al. 220/572

D212,301 S * 9/1968 Taylor D32/55
D265,262 S * 6/1982 Taylor D32/55
D271,339 S * 11/1983 Lee D32/55
D373,866 S * 9/1996 Belden et al. D32/55
D383,273 S * 9/1997 Hampshire D32/55
D581,619 S * 11/2008 Yang et al. D32/55
D617,069 S * 6/2010 Munson D32/55
D640,433 S * 6/2011 Pargansky D32/55

* cited by examiner

Primary Examiner — Austin Murphy

(74) *Attorney, Agent, or Firm* — George F. Bethel

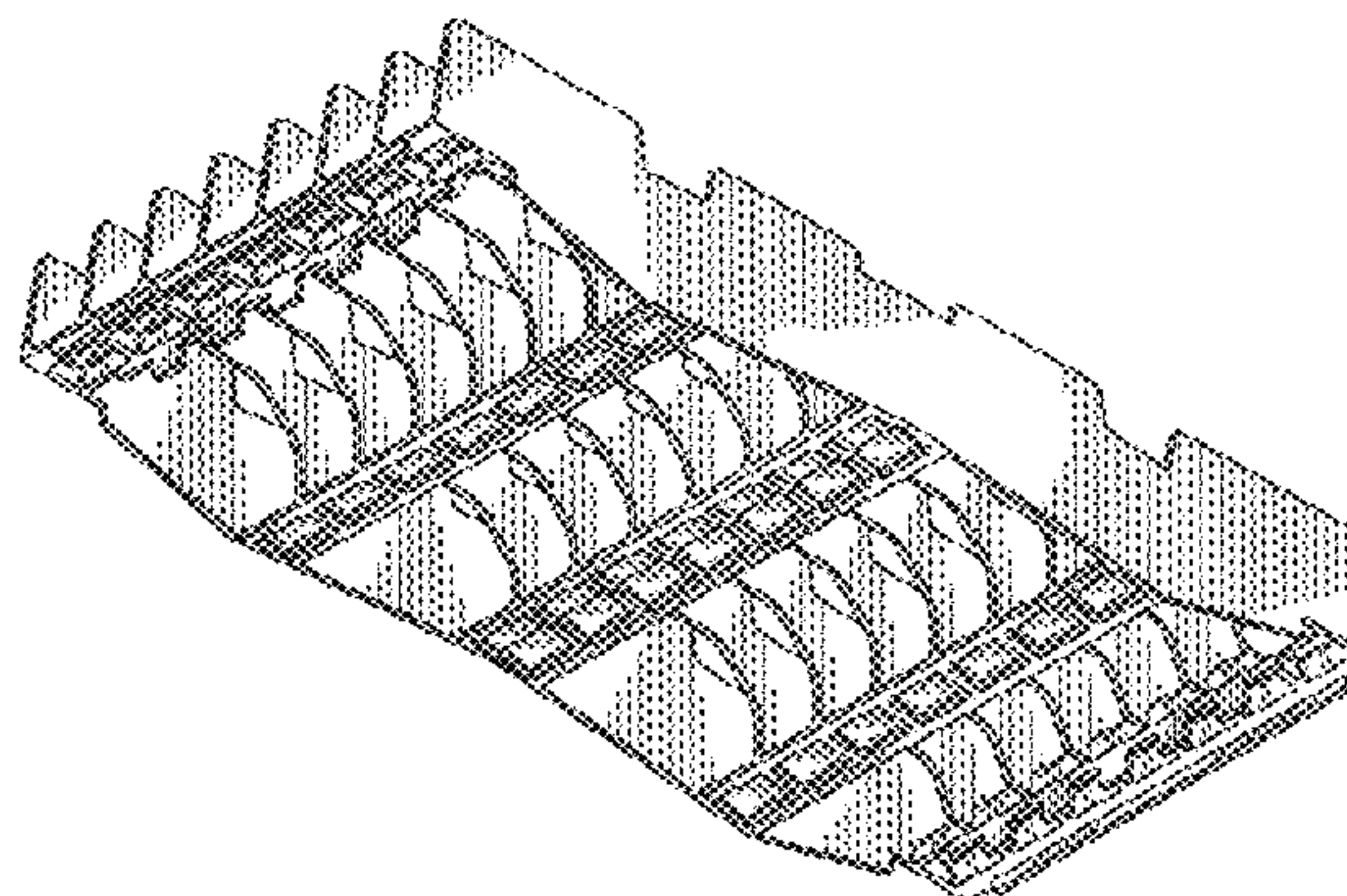
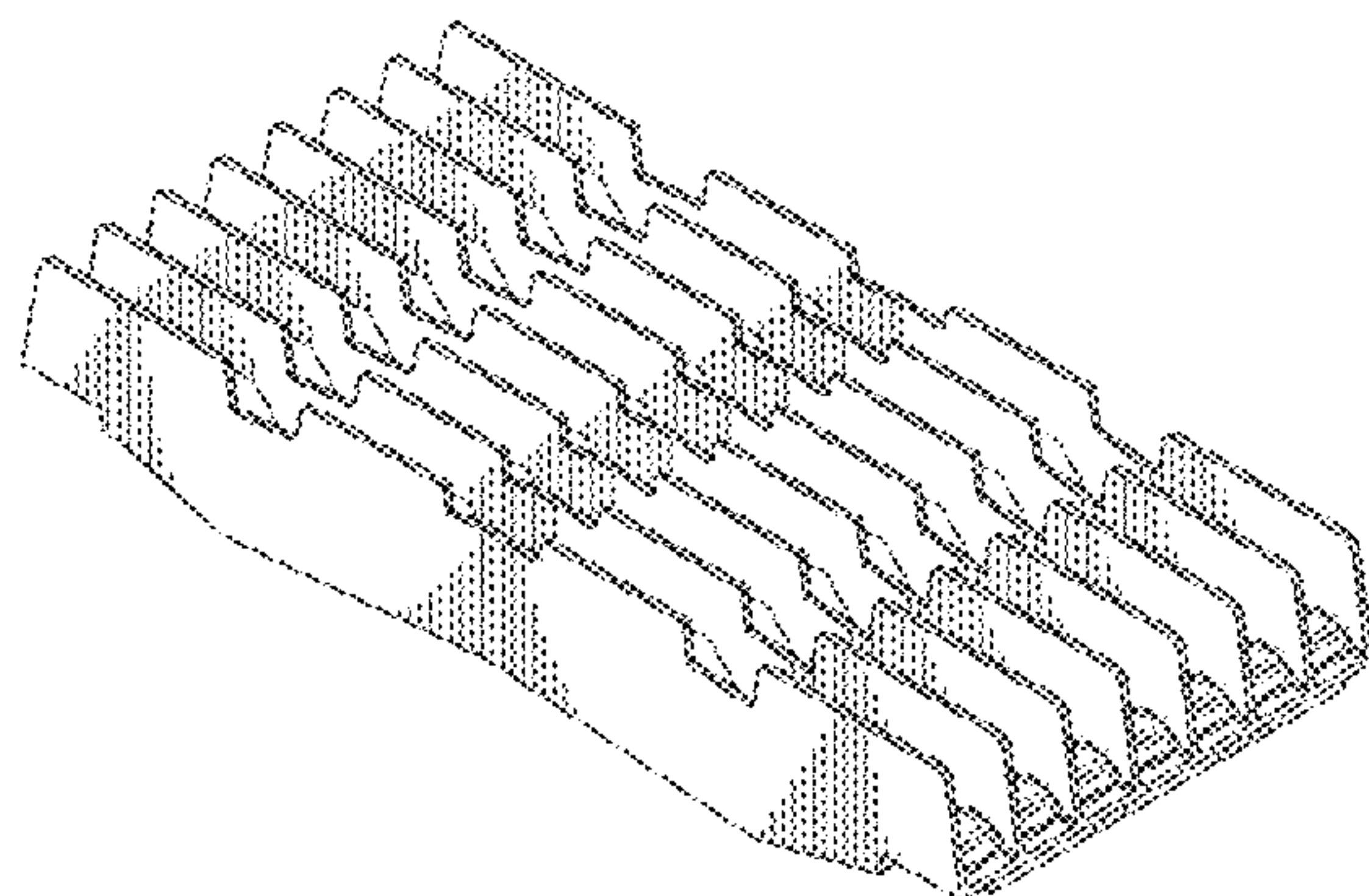
(57) **CLAIM**

I claim the ornamental design for a tray drying rack, as shown and described.

DESCRIPTION

shows a frontal perspective view of the tray drying rack
FIG. 2 shows a right side elevation view.
FIG. 3 shows a front elevation view.
FIG. 4 shows a top plan view.
FIG. 5 shows a left side elevation view.
FIG. 6 shows a rear elevation view.
FIG. 7 shows a bottom plan view; and,
FIG. 8 shows a bottom perspective view of the tray drying rack.

1 Claim, 4 Drawing Sheets



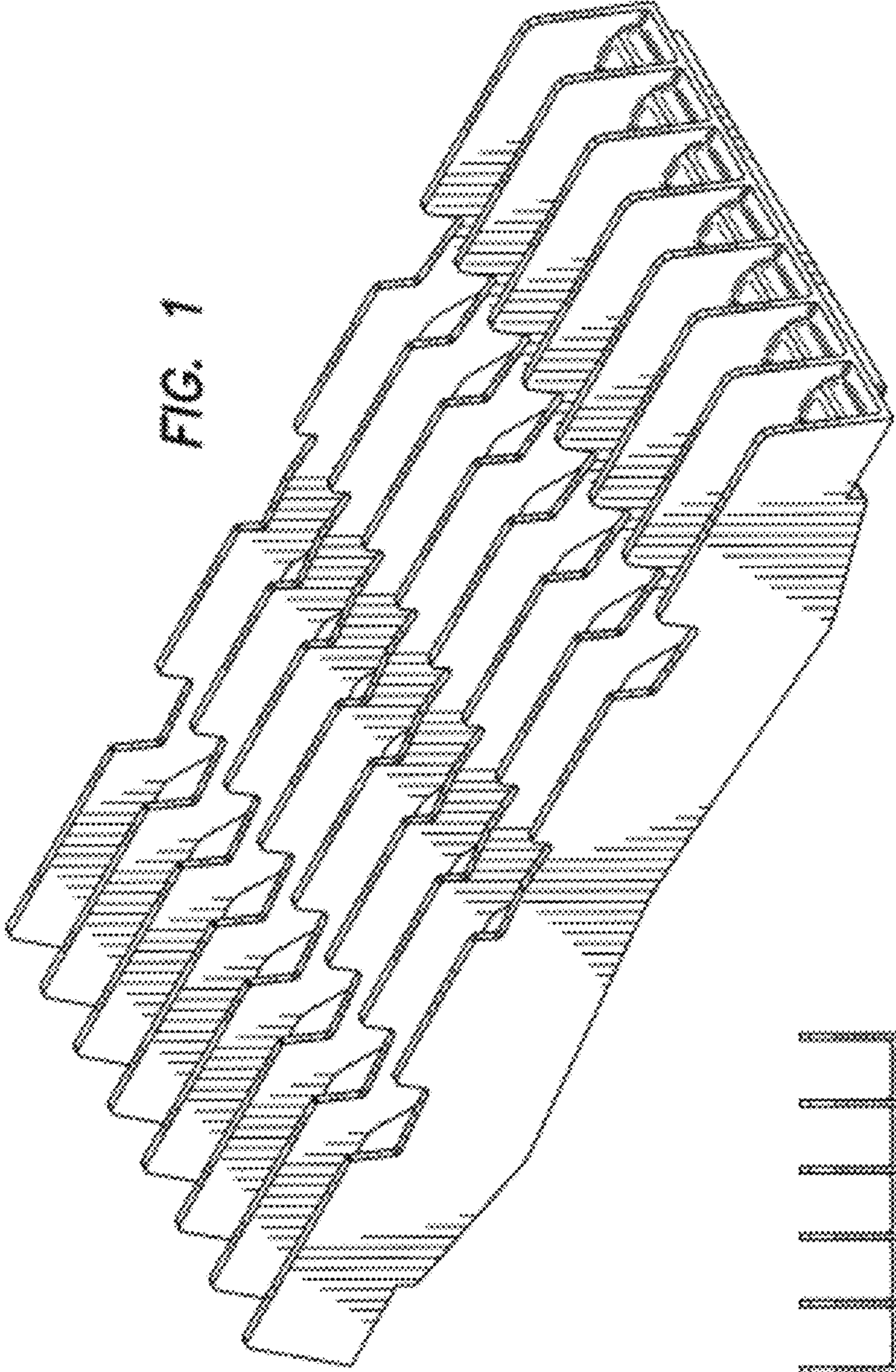


FIG. 1

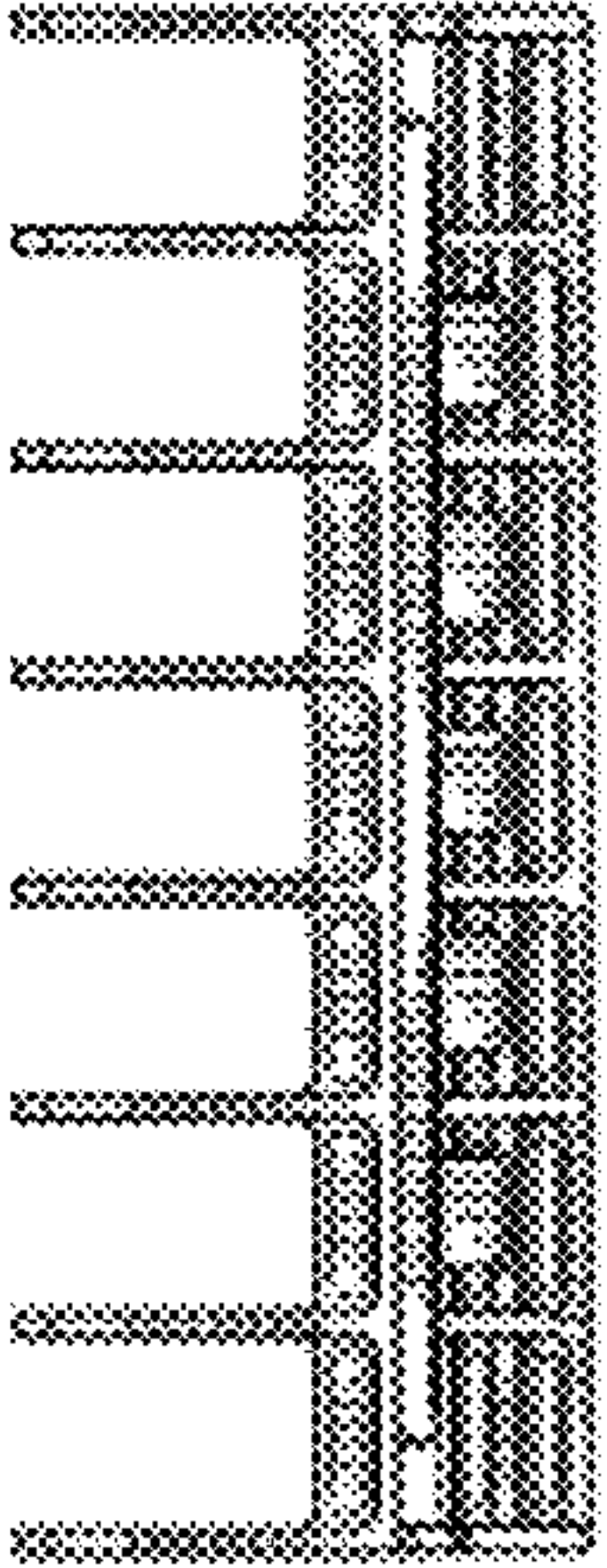


FIG. 2

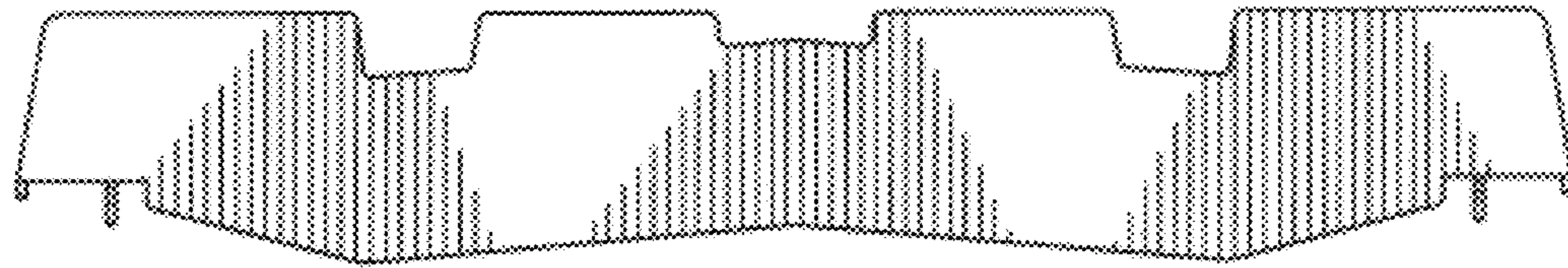


FIG. 3

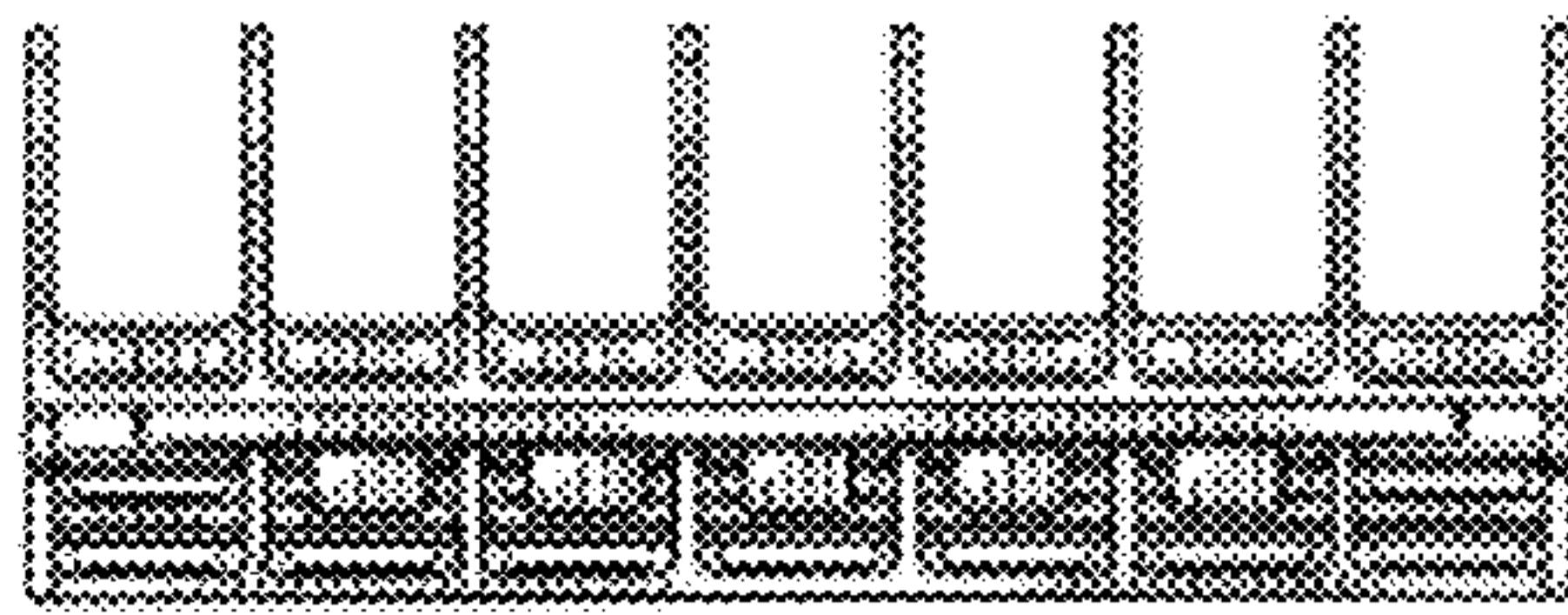


FIG. 5

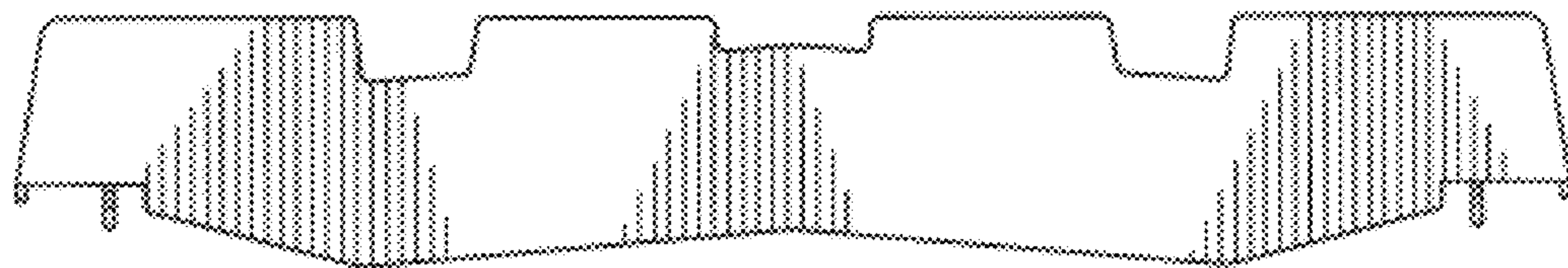


FIG. 6

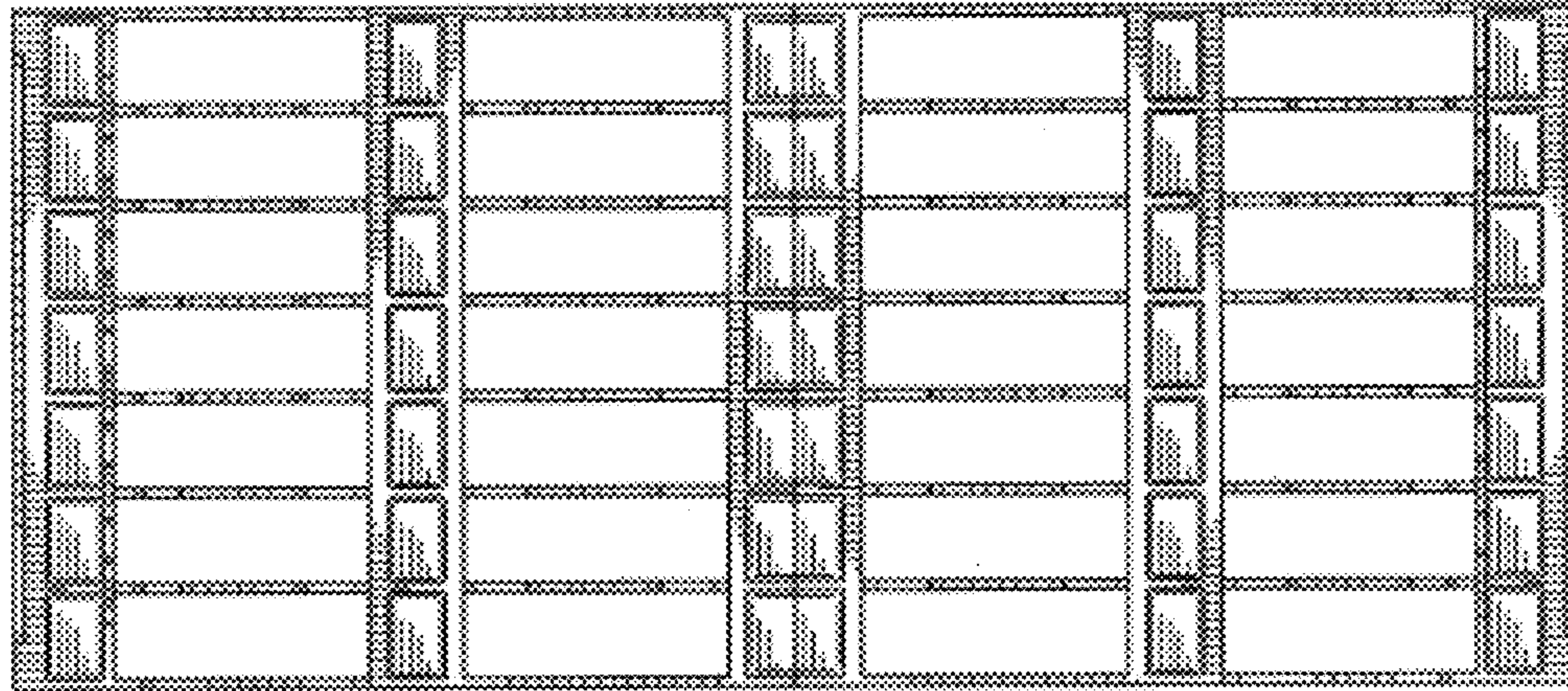


FIG. 4

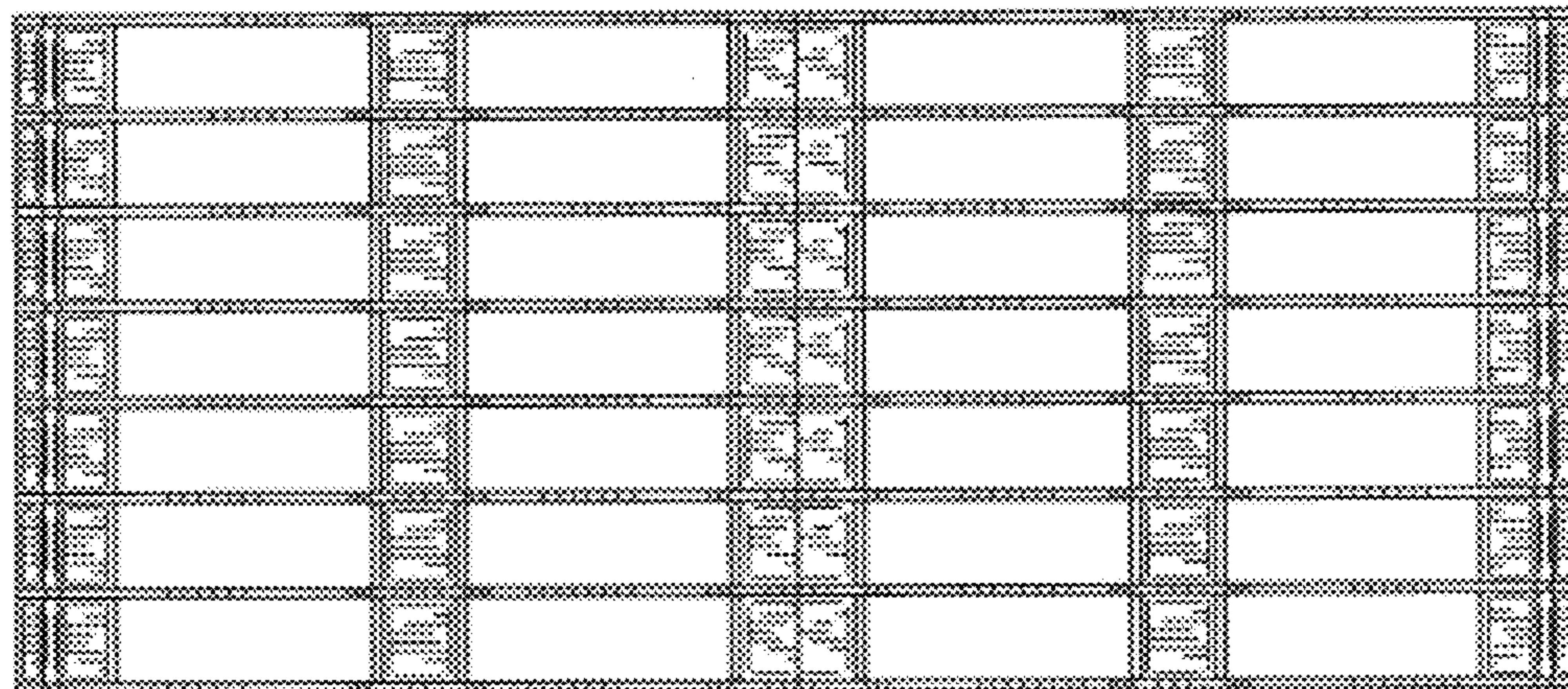


FIG. 7

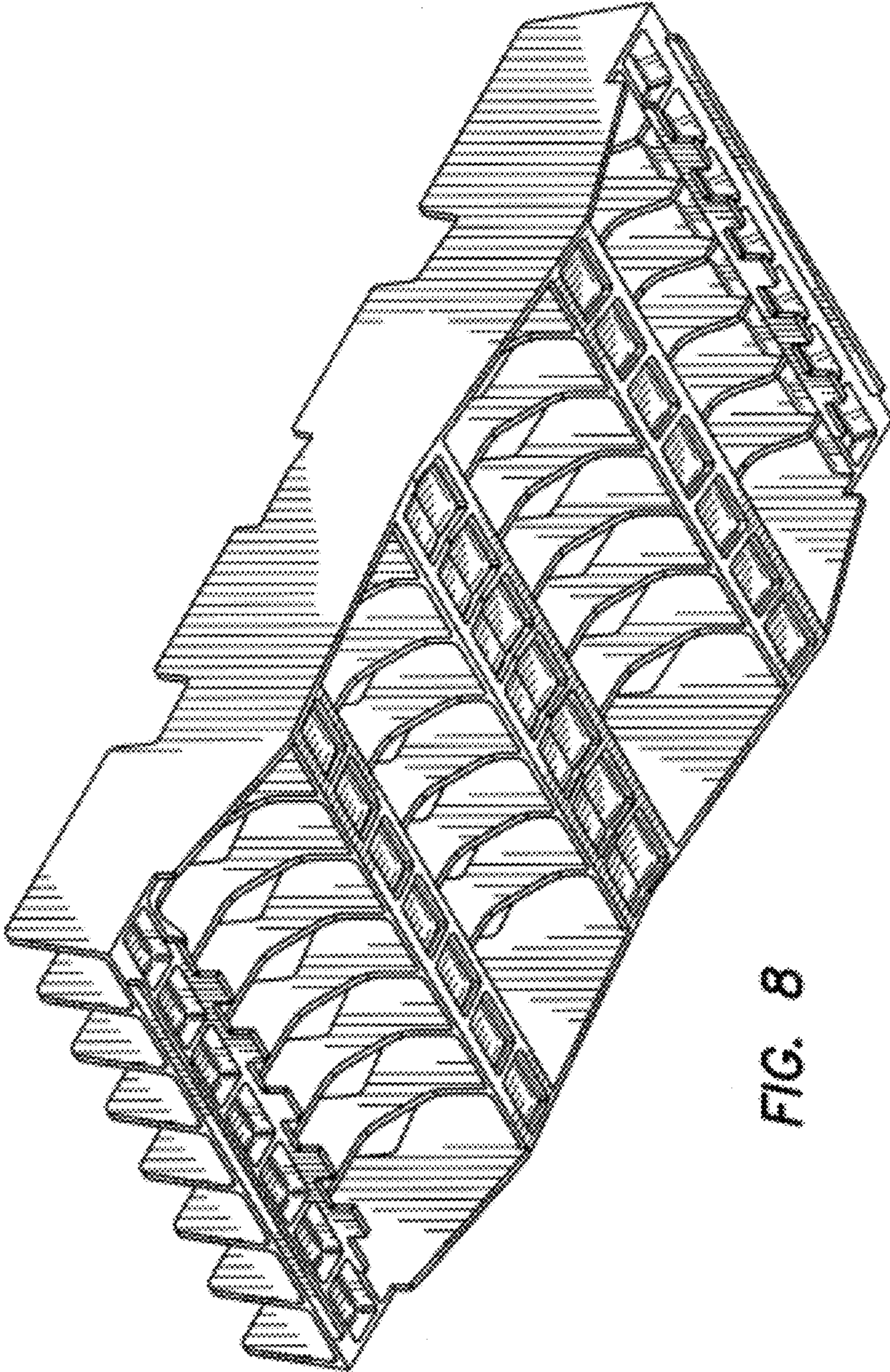


FIG. 8