



US00D663911S

(12) **United States Design Patent**
Link

(10) **Patent No.:** **US D663,911 S**
(45) **Date of Patent:** **** Jul. 17, 2012**

(54) **DETERGENT DISPENSING DEVICE LID**

(75) Inventor: **Rainer Link**, Ludwigshafen (DE)

(73) Assignee: **Reckitt Benckiser N.V.**, WT Hoofddorp (NL)

(**) Term: **14 Years**

(21) Appl. No.: **29/353,877**

(22) Filed: **Jan. 15, 2010**

(30) **Foreign Application Priority Data**

Jul. 22, 2009 (EM) 001589870-0001
Jul. 22, 2009 (EM) 001589870-0002

(51) **LOC (9) Cl.** **15-05**

(52) **U.S. Cl.** **D32/29.1**

(58) **Field of Classification Search** D32/1,
D32/3, 25, 29.1; 134/93; 222/153.01, 153.04;
68/12.18, 212; D23/207-209, 213
See application file for complete search history.

(56) **References Cited**

U.S. PATENT DOCUMENTS

2,370,609	A	2/1945	Wilson	
2,514,000	A	7/1950	Kent	
3,187,767	A	6/1965	Sherrard	
3,272,899	A	9/1966	Diamond et al.	
D269,801	S *	7/1983	Sangster et al.	D23/207
4,416,859	A	11/1983	Brown et al.	
D273,033	S *	3/1984	Sangster et al.	D23/207
D280,757	S *	9/1985	Paulovich et al.	D23/207
4,835,804	A	6/1989	Arnau-Munoz et al.	
D304,102	S *	10/1989	Lakhan et al.	D32/1
4,917,272	A	4/1990	Ikeda	
D308,739	S *	6/1990	Nystuen	D32/3
5,033,643	A	7/1991	Schumacher	
D328,332	S *	7/1992	Fink	D23/208
D328,333	S *	7/1992	Casberg	D23/208
5,137,694	A	8/1992	Copeland et al.	
D346,890	S *	5/1994	Panesar	D32/29.1
5,310,430	A	5/1994	McCall	
5,500,050	A	3/1996	Chan	
D376,230	S *	12/1996	McCall et al.	D32/29.1

5,603,233	A	2/1997	Erickson	
D381,141	S *	7/1997	Balz	D32/29.1
D383,264	S *	9/1997	Balz	D32/29.1
5,681,400	A	10/1997	Brady	
5,807,906	A	9/1998	Bonvallot et al.	
6,058,946	A	5/2000	Bellati et al.	
6,173,743	B1	1/2001	Sapina et al.	
6,178,987	B1	1/2001	Caruthers, Jr. et al.	
D457,596	S *	5/2002	Guzman et al.	D23/209

(Continued)

FOREIGN PATENT DOCUMENTS

DE 19540608 5/1997

(Continued)

Primary Examiner — T. Chase Nelson

Assistant Examiner — Kathleen M Sims

(74) *Attorney, Agent, or Firm* — Norris McLaughlin & Marcus PA

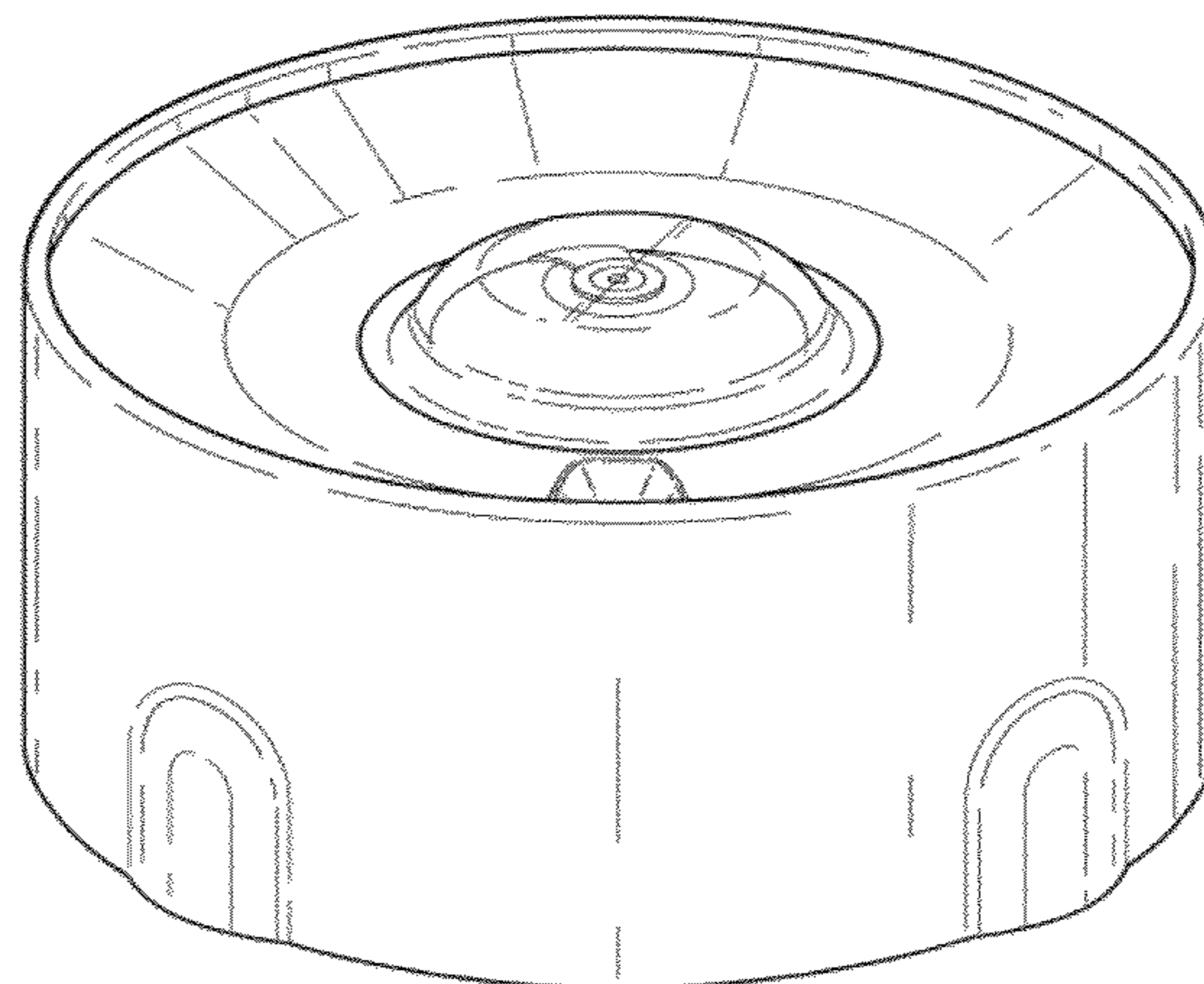
(57) **CLAIM**

The ornamental design for a detergent dispensing device lid, as shown and described.

DESCRIPTION

FIG. 1 is a front perspective view of my detergent dispensing device lid
FIG. 2 is a front elevational view thereof;
FIG. 3 is a rear elevational view thereof;
FIG. 4 is a left side elevational view thereof;
FIG. 5 is right side elevational view thereof;
FIG. 6 is a top plan view thereof; and,
FIG. 7 is a bottom plan view thereof.
The broken line showing of details in FIGS. 3, 4, and 5 is included for the purpose of showing environmental structure. The broken line structure of FIG. 7 represents a boundary line. The broken line structure in in FIGS. 1 and 6 serves as a boundary line. The dashed line interior oval shape in FIG. 6 represents environmental structure. These dashed lines represent no part of the claimed design for a detergent dispensing device lid.

1 Claim, 5 Drawing Sheets



US D663,911 S

Page 2

U.S. PATENT DOCUMENTS

D465,258	S *	11/2002	Hiranaga et al.	D23/209
6,571,993	B2	6/2003	Rodd et al.	
6,581,800	B2	6/2003	Rodd et al.	
D481,844	S *	11/2003	Greene et al.	D32/30
6,681,963	B2	1/2004	Hague et al.	
D513,928	S *	1/2006	Birdsell et al.	D7/397
D526,043	S *	8/2006	Thompson	D23/208
D529,128	S *	9/2006	Lee	D23/209
D539,993	S *	4/2007	Brandt	D32/3
7,219,518	B2	5/2007	Aouad et al.	
D547,912	S *	7/2007	Brandt	D32/3
D564,141	S *	3/2008	Gaa et al.	D32/3
D564,142	S *	3/2008	Gaa et al.	D32/3
D564,143	S *	3/2008	Gaa et al.	D32/3
D568,555	S *	5/2008	Gaa et al.	D32/3
7,421,867	B2	9/2008	Bongini	
7,428,831	B2	9/2008	Cho et al.	
D601,766	S *	10/2009	Gaa et al.	D32/3
D604,466	S *	11/2009	Gaa et al.	D32/29.1
D608,960	S *	1/2010	Gaa et al.	D32/3
2002/0108969	A1	8/2002	Rodd et al.	
2002/0117187	A1	8/2002	Helminger	
2003/0052138	A1	3/2003	Smith	
2003/0182732	A1	10/2003	Davenet et al.	
2004/0206133	A1	10/2004	Woo et al.	
2004/0216499	A1	11/2004	Bongini	
2005/0039781	A1	2/2005	Song et al.	
2005/0109860	A1	5/2005	Chiang et al.	
2006/0258556	A1	11/2006	Holderbaum et al.	
2007/0000068	A1	1/2007	France et al.	
2008/0053187	A1	3/2008	Koring	

FOREIGN PATENT DOCUMENTS

DE	19652733	A1	6/1998
DE	19740819		5/1999
DE	19836857		2/2000
DE	19930771	A1	1/2001

EP	0 457 137		5/1991
EP	0481547		4/1992
EP	0521179		1/1993
EP	0906747		4/1999
FR	2723752		2/1996
GB	820327		9/1959
GB	1142238		2/1969
GB	1198251		7/1970
GB	1592357		7/1981
GB	2104109	A	3/1983
GB	2339678		2/2000
GB	2356842		6/2001
GB	2386129		9/2003
GB	2386130	A	9/2003
GB	2402604	A	12/2004
GB	2402679		12/2004
GB	2406821	A	4/2005
GB	2417492	A	3/2006
JP	2006061450		3/2006
WO	8806199	A1	8/1988
WO	96 38638		12/1996
WO	9712539		4/1997
WO	0107702	A	2/2001
WO	0107703	A1	2/2001
WO	0220893	A	3/2002
WO	0276278		3/2002
WO	02058528	A1	8/2002
WO	2003 07 39 06		9/2003
WO	03073907	A2	9/2003
WO	2004033297		4/2004
WO	2004041248		5/2004
WO	2004044303	A	5/2004
WO	2004059068		7/2004
WO	2004 08 55 95		10/2004
WO	2008/053187	A1	5/2005
WO	2006 021760	A1	3/2006
WO	2007 05 19 89		5/2007
WO	2007 083142	A1	7/2007

* cited by examiner

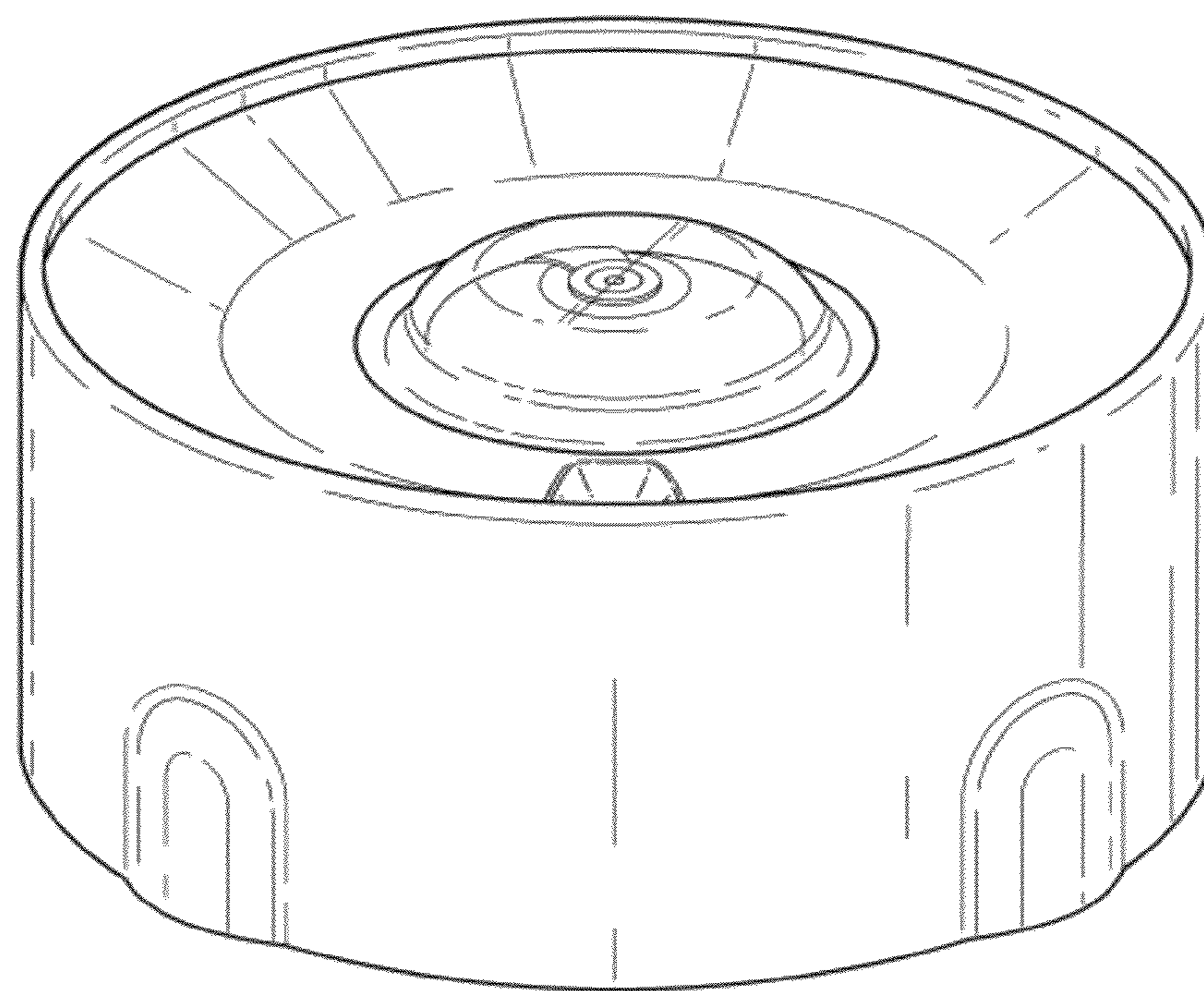


Fig. 1.

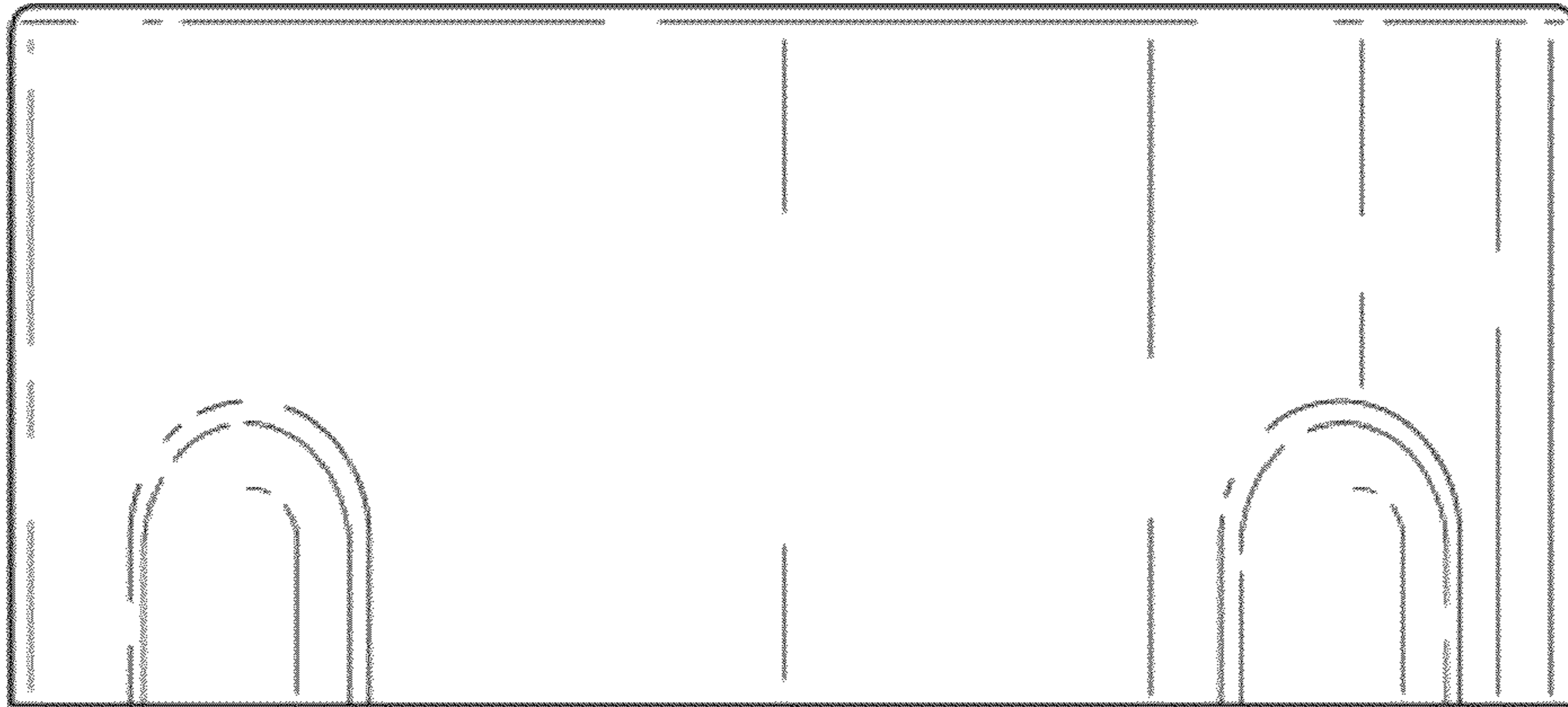


Fig. 2.

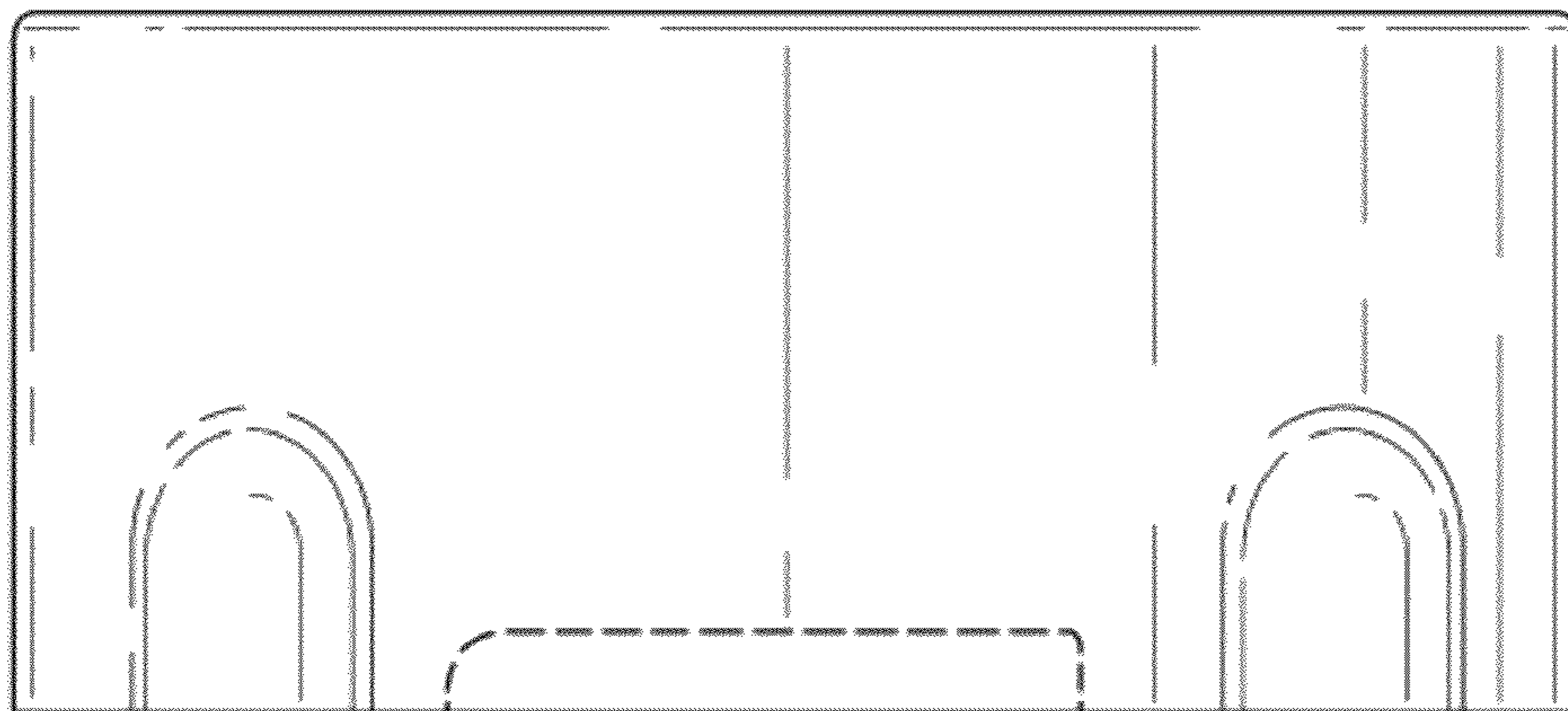


Fig. 3.

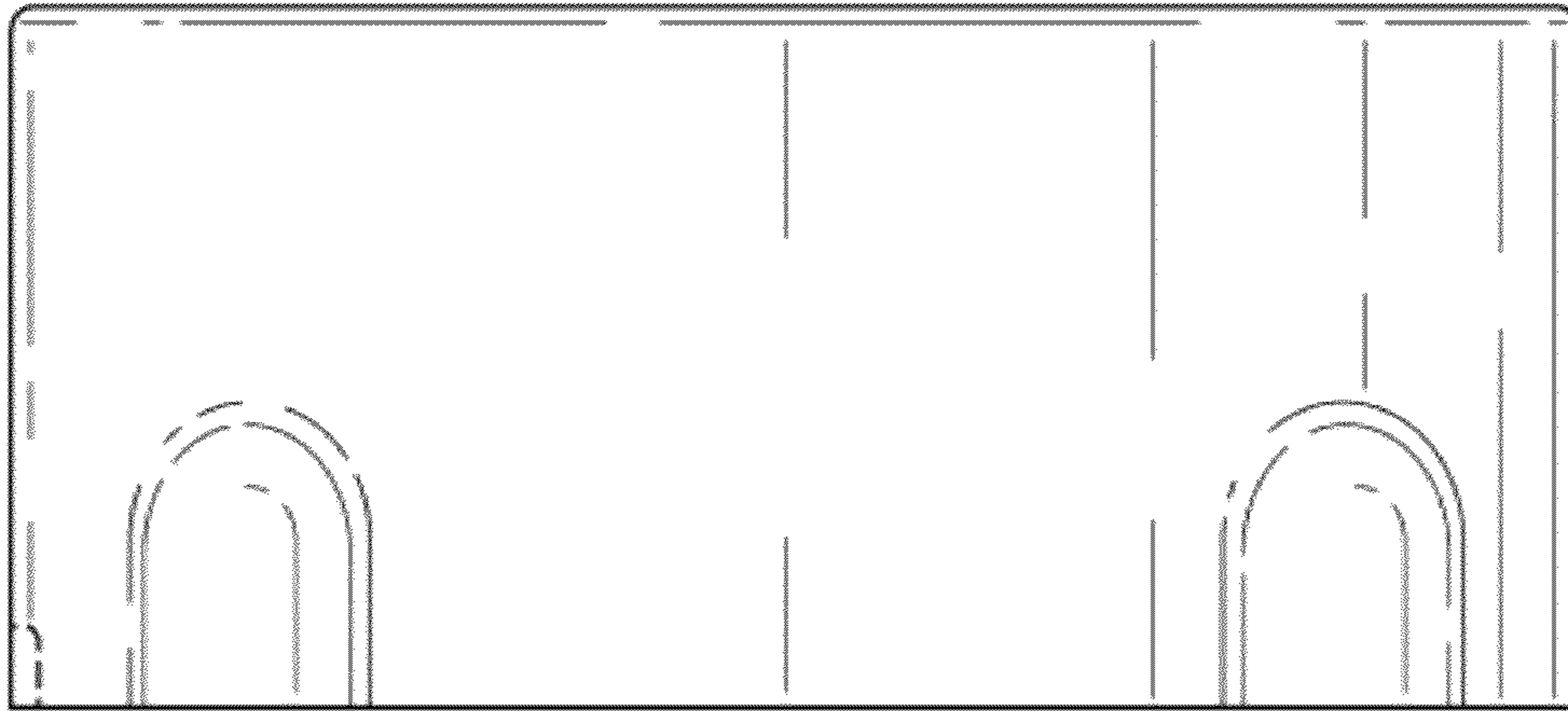


Fig.4.

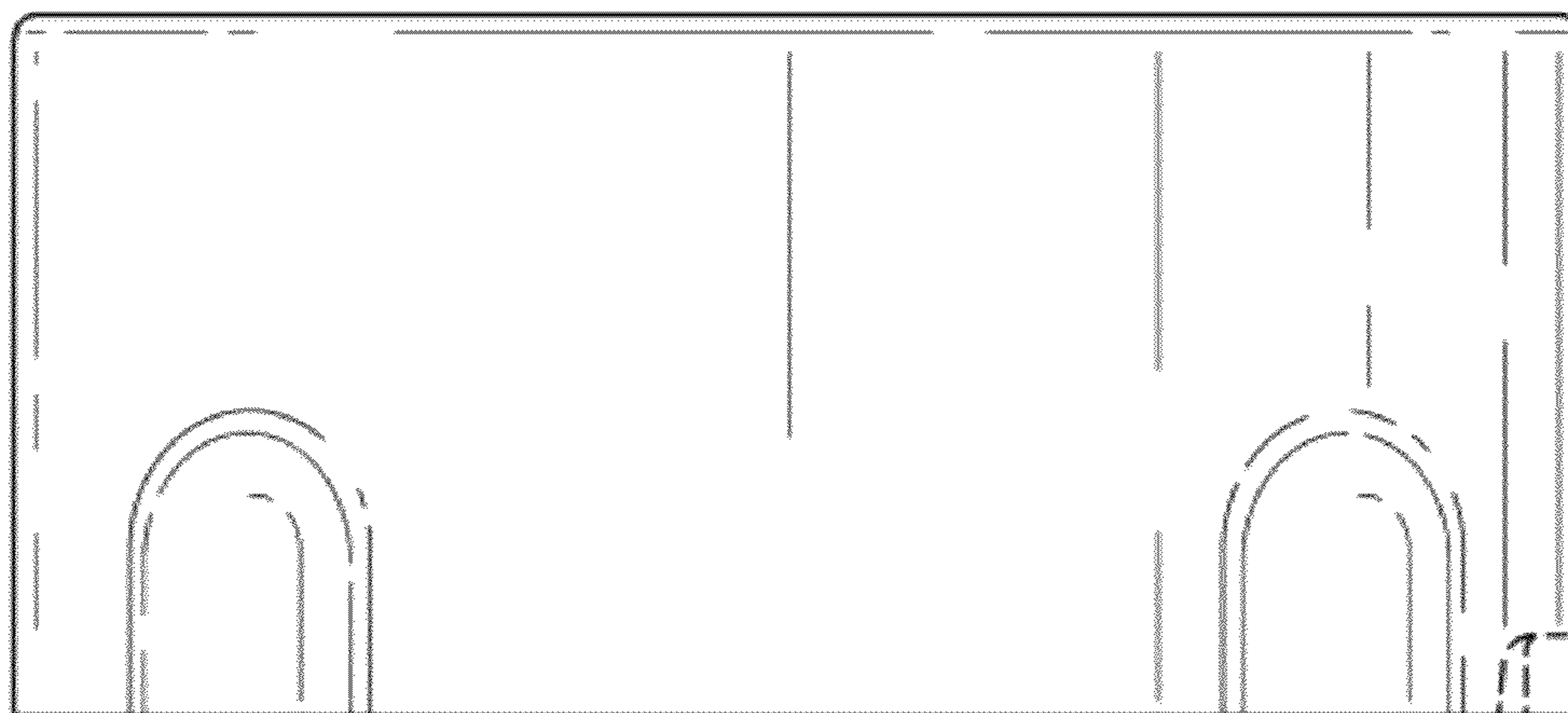


Fig.5.

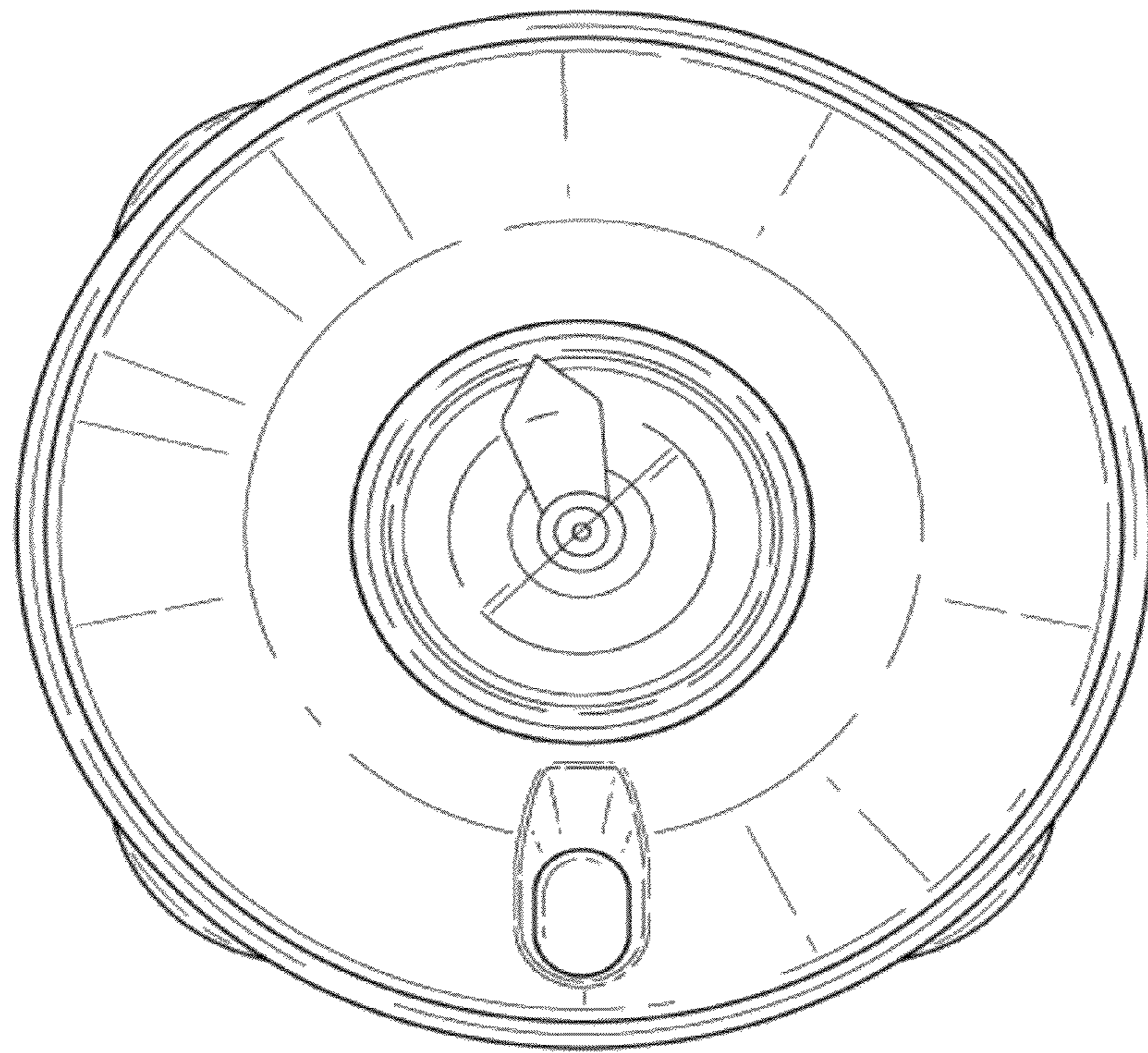


Fig.6.

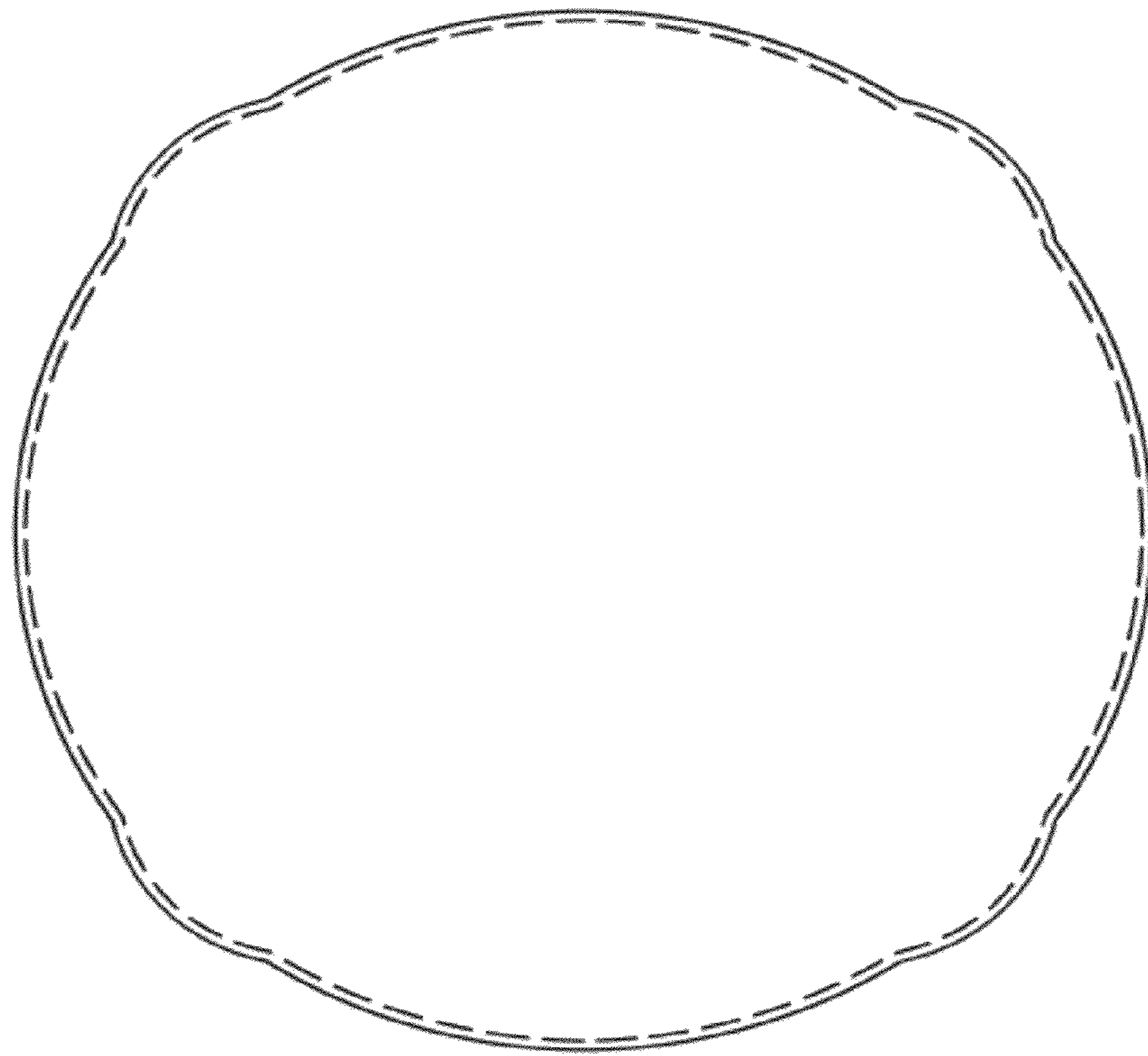


Fig.7.