



US00D663910S

(12) **United States Design Patent**  
**Crawley**

(10) **Patent No.:** **US D663,910 S**

(45) **Date of Patent:** **\*\* Jul. 17, 2012**

(54) **HAND-HELD VACUUM CLEANER**

(74) *Attorney, Agent, or Firm* — John Yun

(75) **Inventor:** **Graeme Crawley**, Newcastle-upon-Tyne (GB)

(57) **CLAIM**

The ornamental design for a hand-held vacuum cleaner, as shown and described.

(73) **Assignee:** **Black & Decker Inc.**, Newark, DE (US)

**DESCRIPTION**

(\*\*) **Term:** **14 Years**

(21) **Appl. No.:** **29/390,417**

(22) **Filed:** **Apr. 25, 2011**

(30) **Foreign Application Priority Data**

Nov. 3, 2010 (EM) ..... 001242978

(51) **LOC (9) Cl.** ..... **15-05**

(52) **U.S. Cl.** ..... **D32/18**

(58) **Field of Classification Search** ..... D32/17-18,  
D32/22, 31; 15/320-321, 350-354, 415.1-422,  
15/329, 344, 361, 410-411, 347, 1.7, DIG. 1;  
55/DIG. 3

See application file for complete search history.

FIG. 1 is a perspective view of a hand-held vacuum cleaner showing my new design.

FIG. 2 is a left side view of the hand-held vacuum cleaner according to FIG. 1.

FIG. 3 is a right side view of the hand-held vacuum cleaner according to FIG. 1.

FIG. 4 is a front view of the hand-held vacuum cleaner according to FIG. 1.

FIG. 5 is a rear view of the hand-held vacuum cleaner according to FIG. 1.

FIG. 6 is a top view of the hand-held vacuum cleaner according to FIG. 1.

FIG. 7 is a bottom view of the hand-held vacuum cleaner according to FIG. 1.

FIG. 8 is a perspective view of the hand held vacuum cleaner with nozzle and handle in closed position according to FIG. 1.

FIG. 9 is a left side view of the hand held vacuum cleaner according to FIG. 8.

FIG. 10 is a right side view of the hand held vacuum cleaner according to FIG. 8.

FIG. 11 is a front view of the hand held vacuum according to FIG. 8.

FIG. 12 is a rear view of the hand held vacuum cleaner according to FIG. 8.

FIG. 13 is a top view of the hand held vacuum cleaner according to FIG. 8; and,

FIG. 14 is a bottom view of the hand held vacuum cleaner according to FIG. 8.

(56) **References Cited**

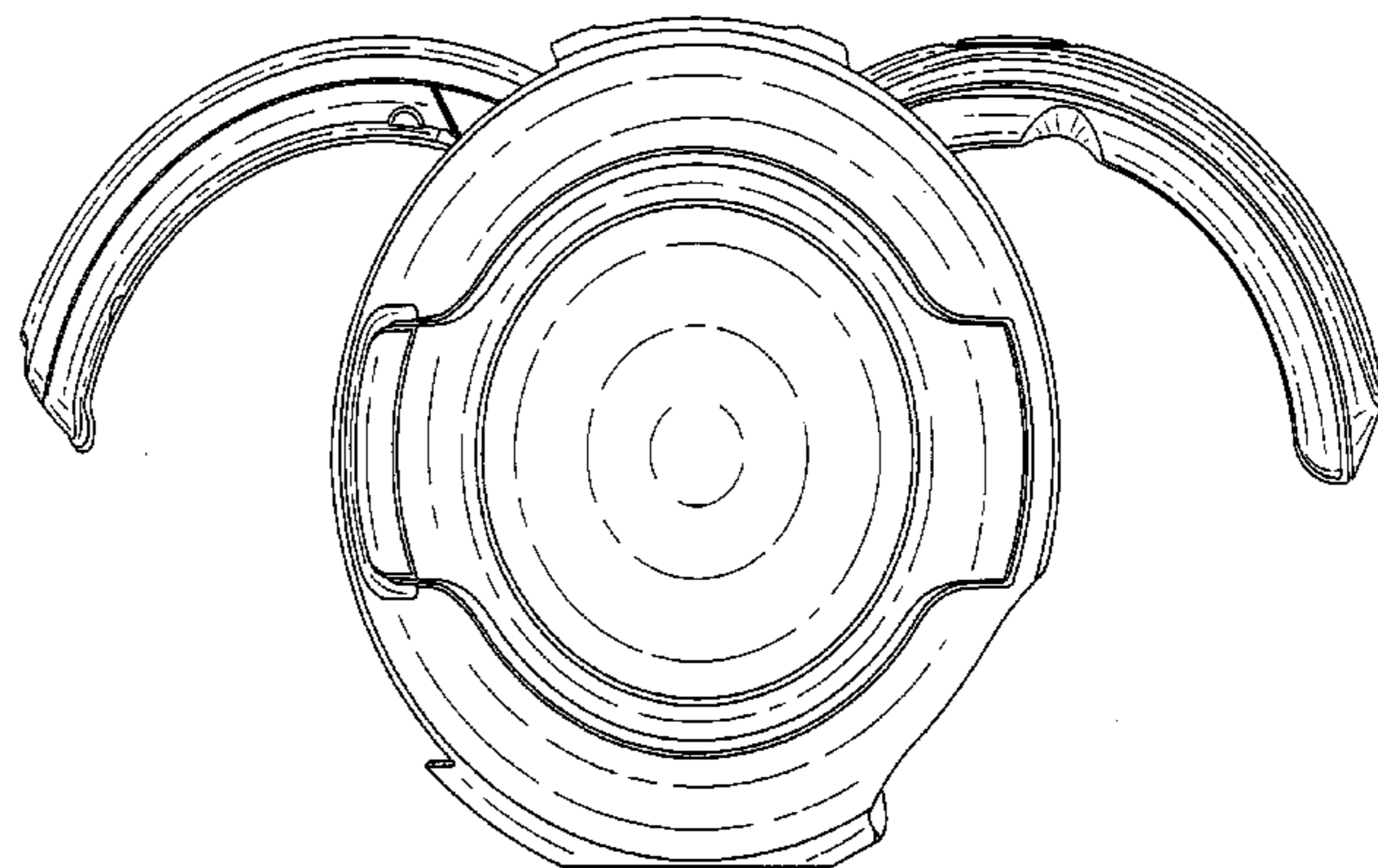
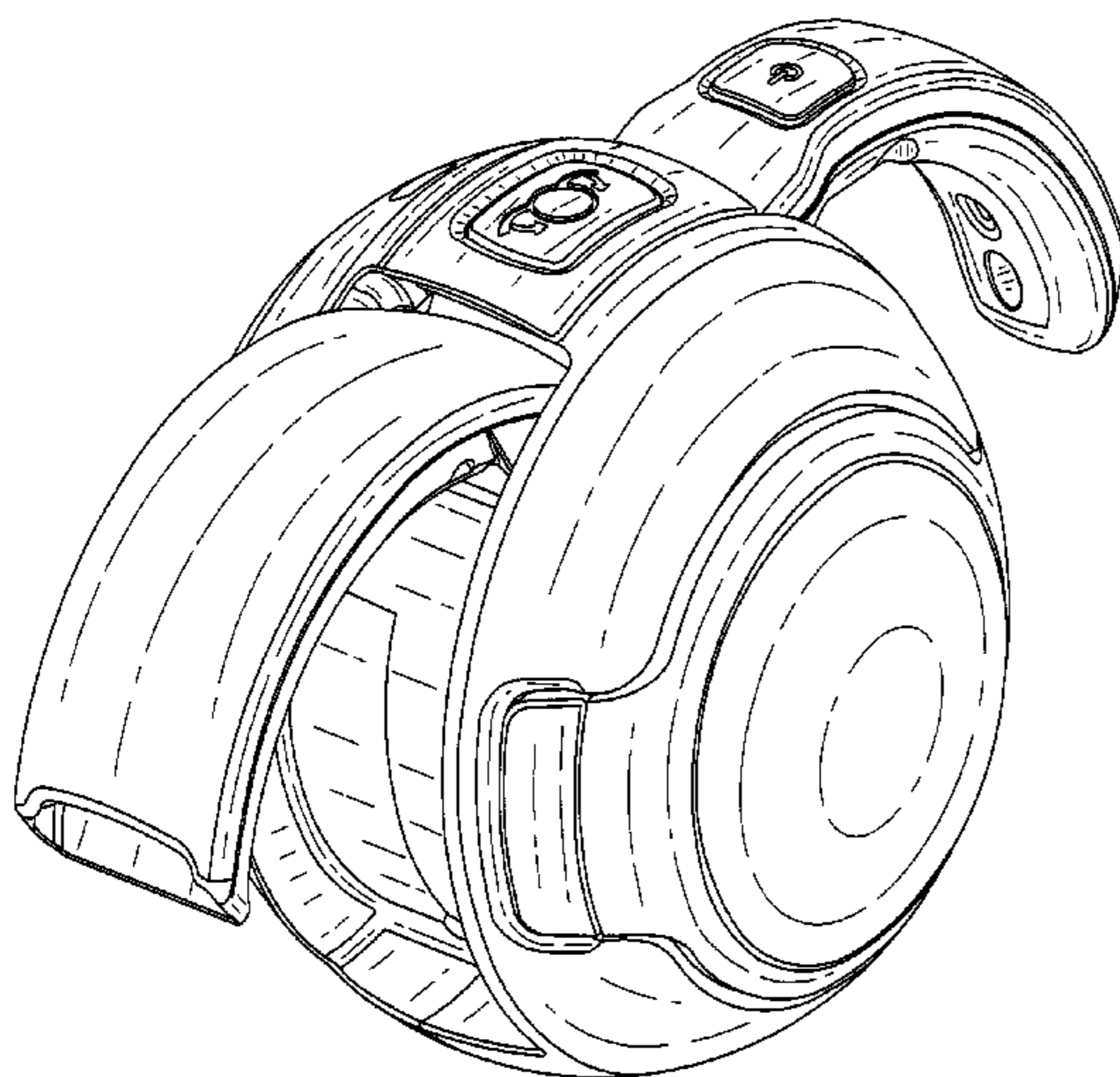
**U.S. PATENT DOCUMENTS**

D353,916 S *	12/1994	Ho	.....	D32/18
D458,718 S *	6/2002	Fernandez	.....	D32/18
D474,867 S *	5/2003	Robinson	.....	D32/18
D475,819 S *	6/2003	Milanese	.....	D32/17
D495,454 S *	8/2004	Lee	.....	D32/18
D515,752 S *	2/2006	Rosenzweig	.....	D32/18
D569,061 S *	5/2008	Nardone	.....	D32/18
D588,763 S *	3/2009	Medema et al.	.....	D32/31
2006/0156508 A1 *	7/2006	Khalil	.....	15/353

\* cited by examiner

*Primary Examiner* — Ruth McInroy

**1 Claim, 14 Drawing Sheets**



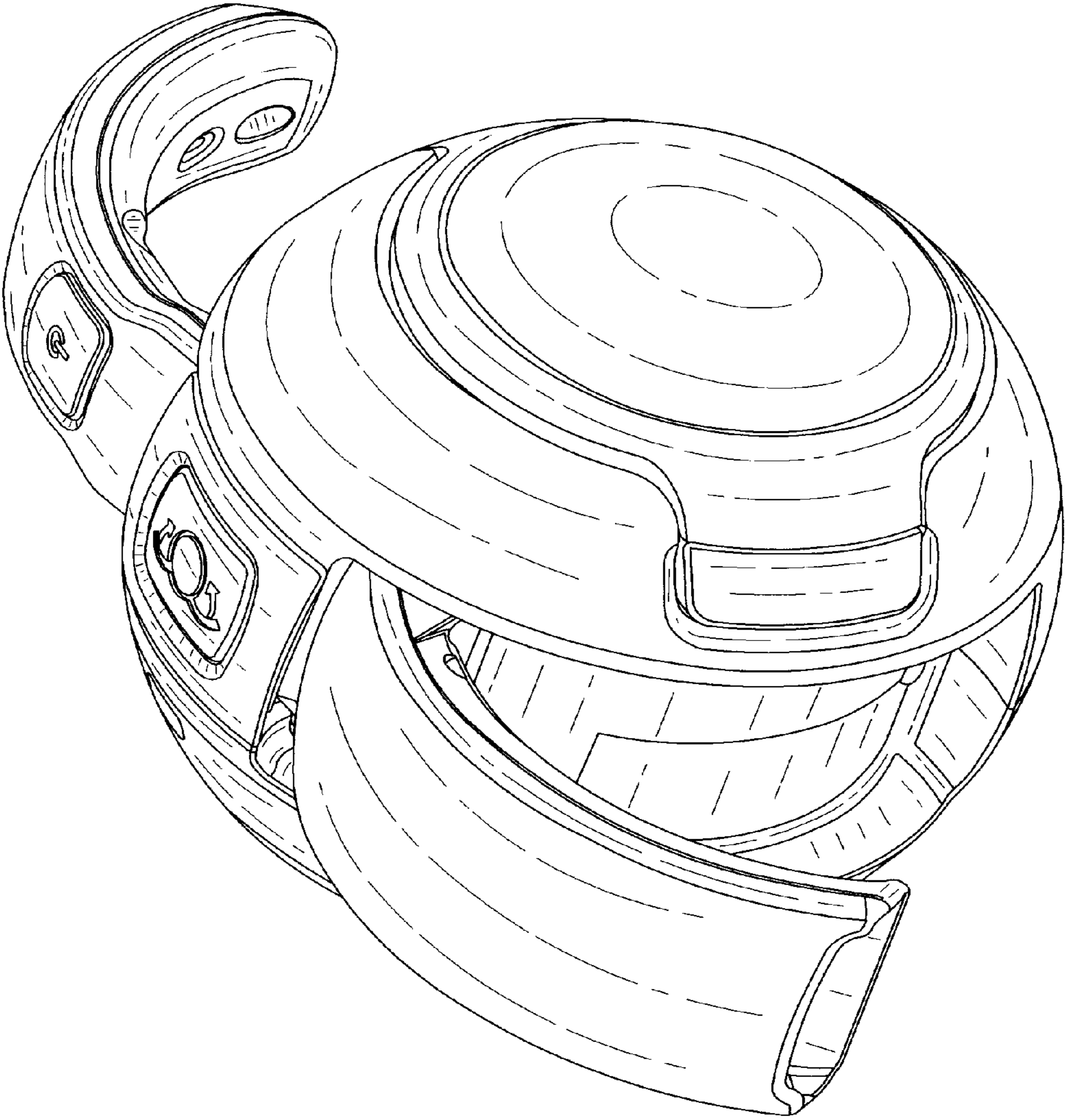


FIG.1

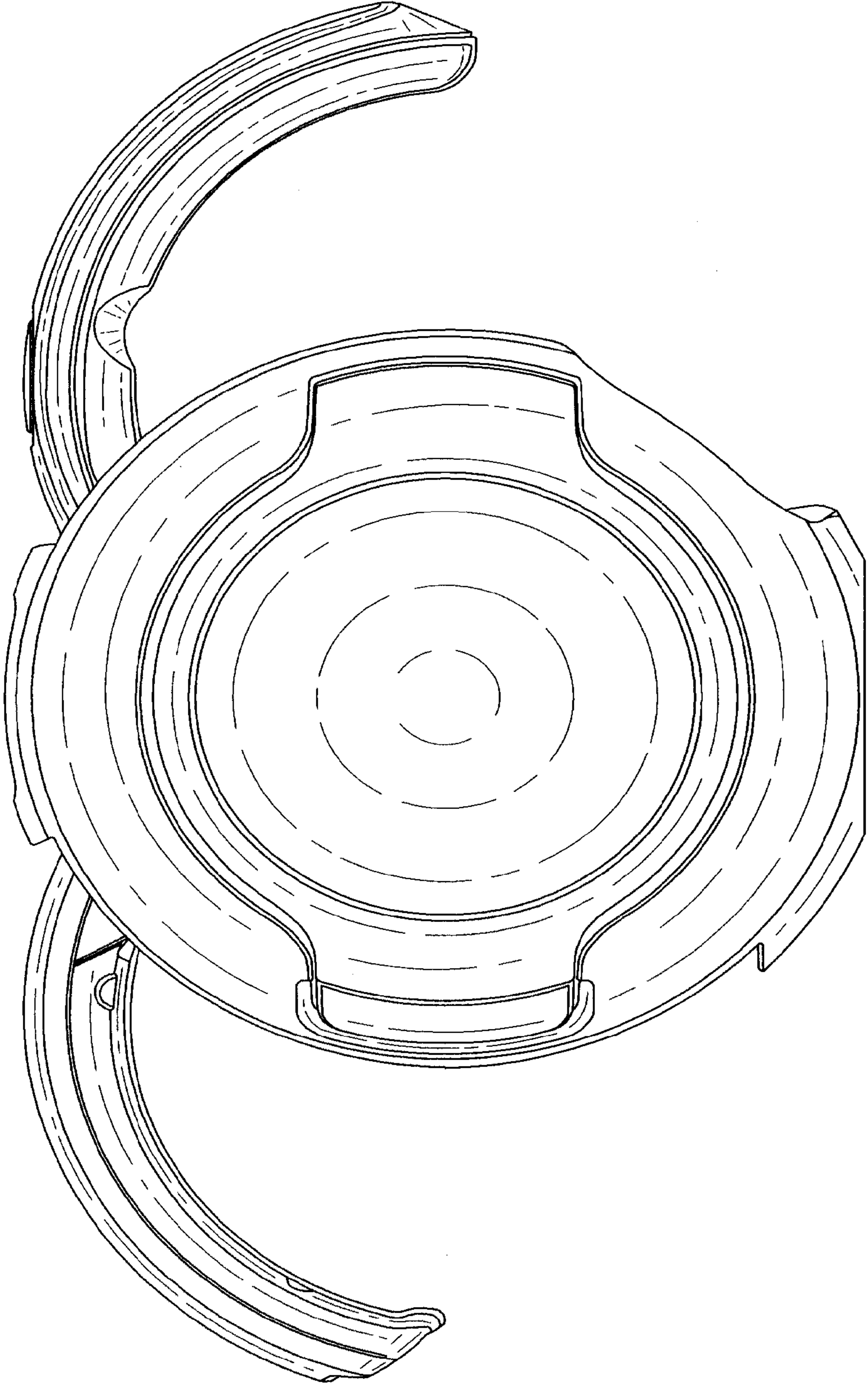


FIG.2

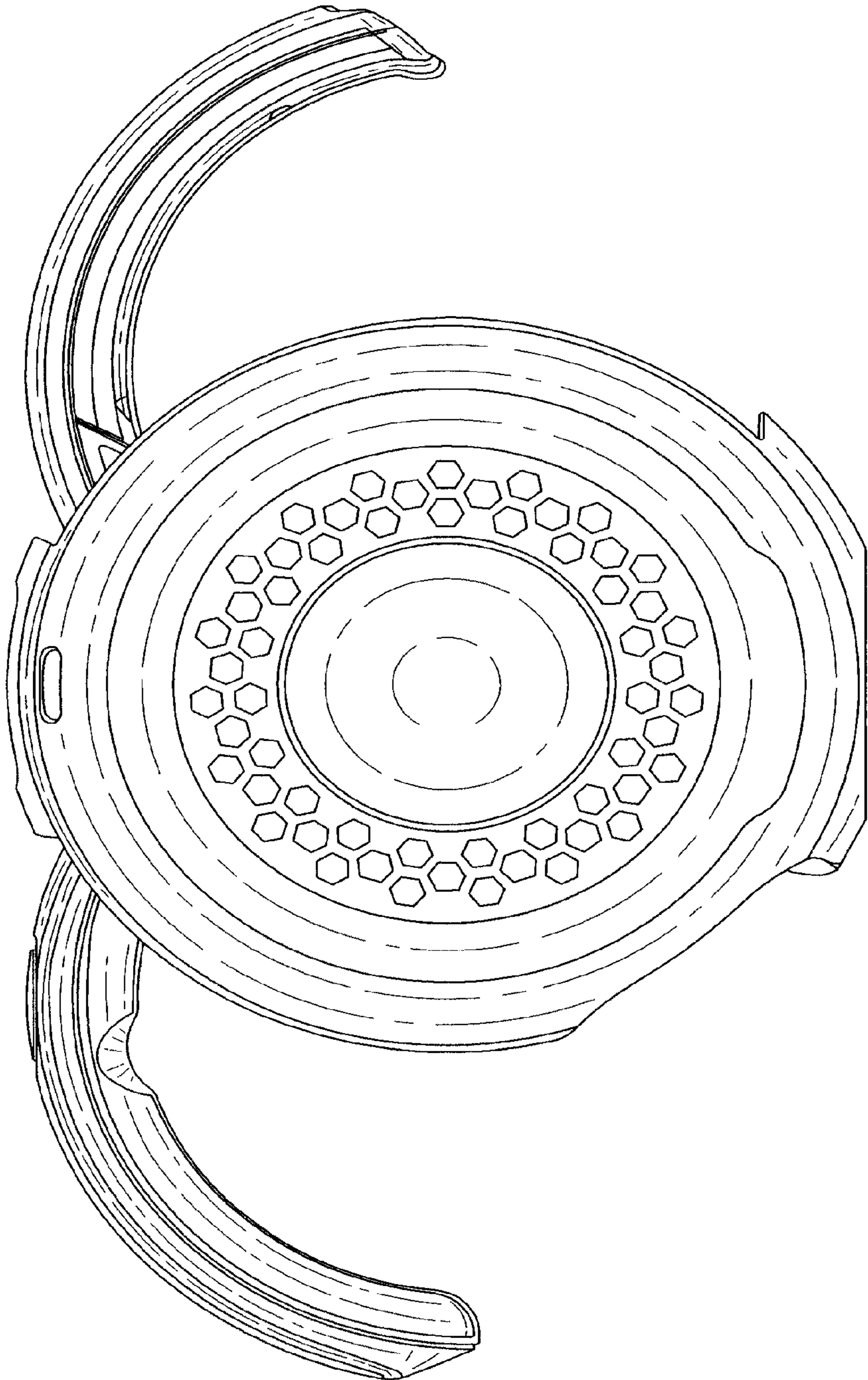


FIG.3

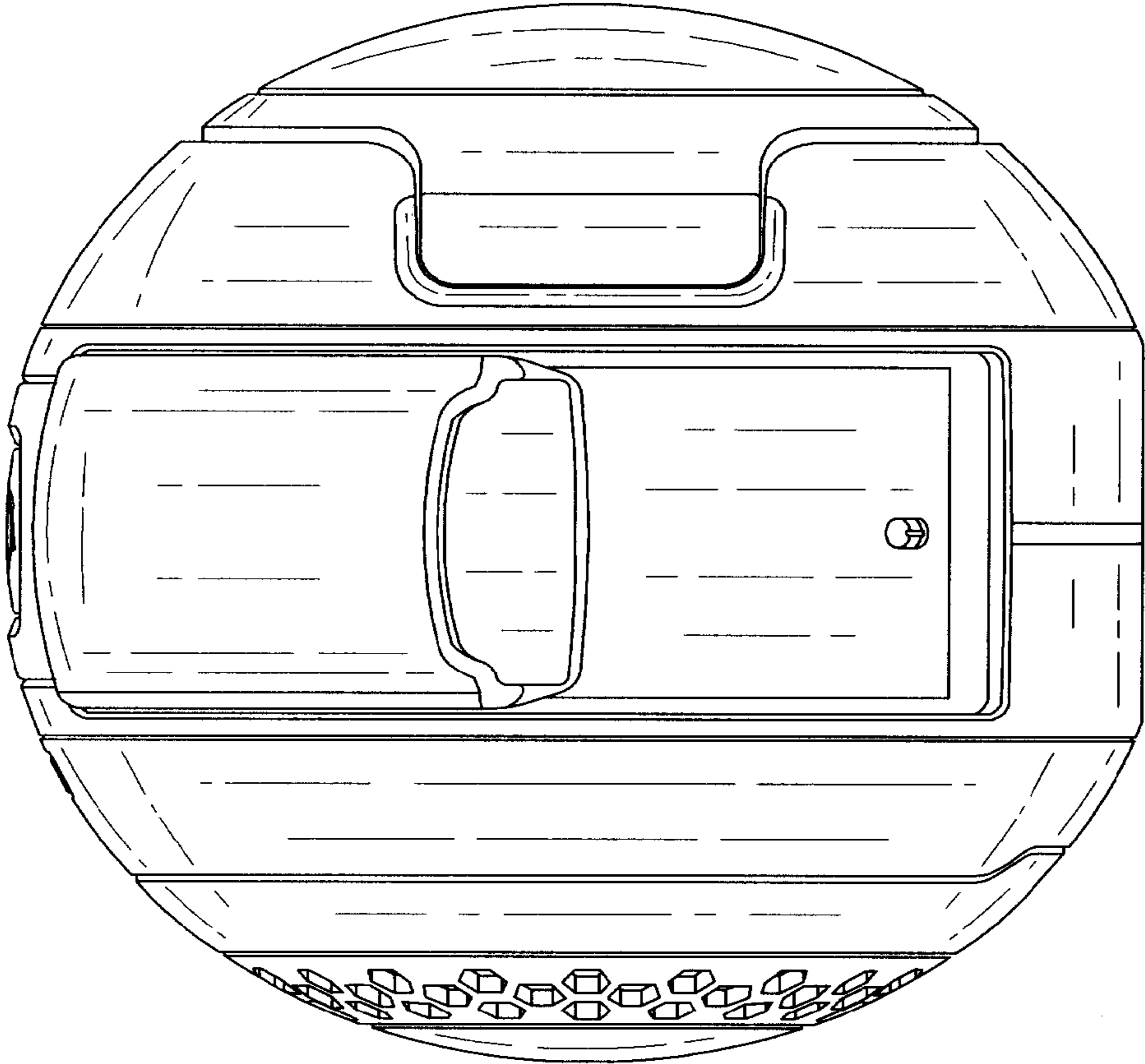


FIG.4

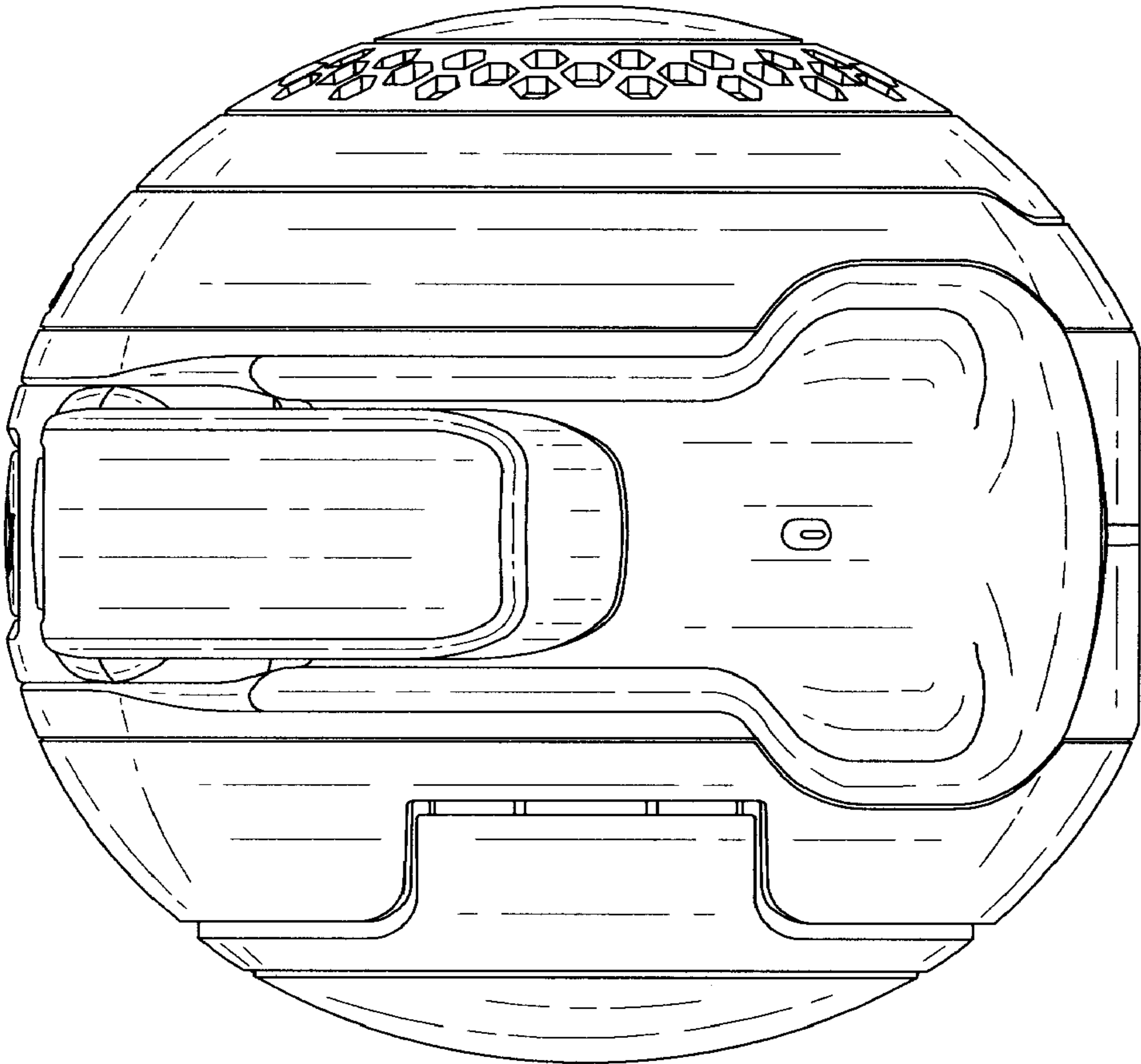


FIG.5

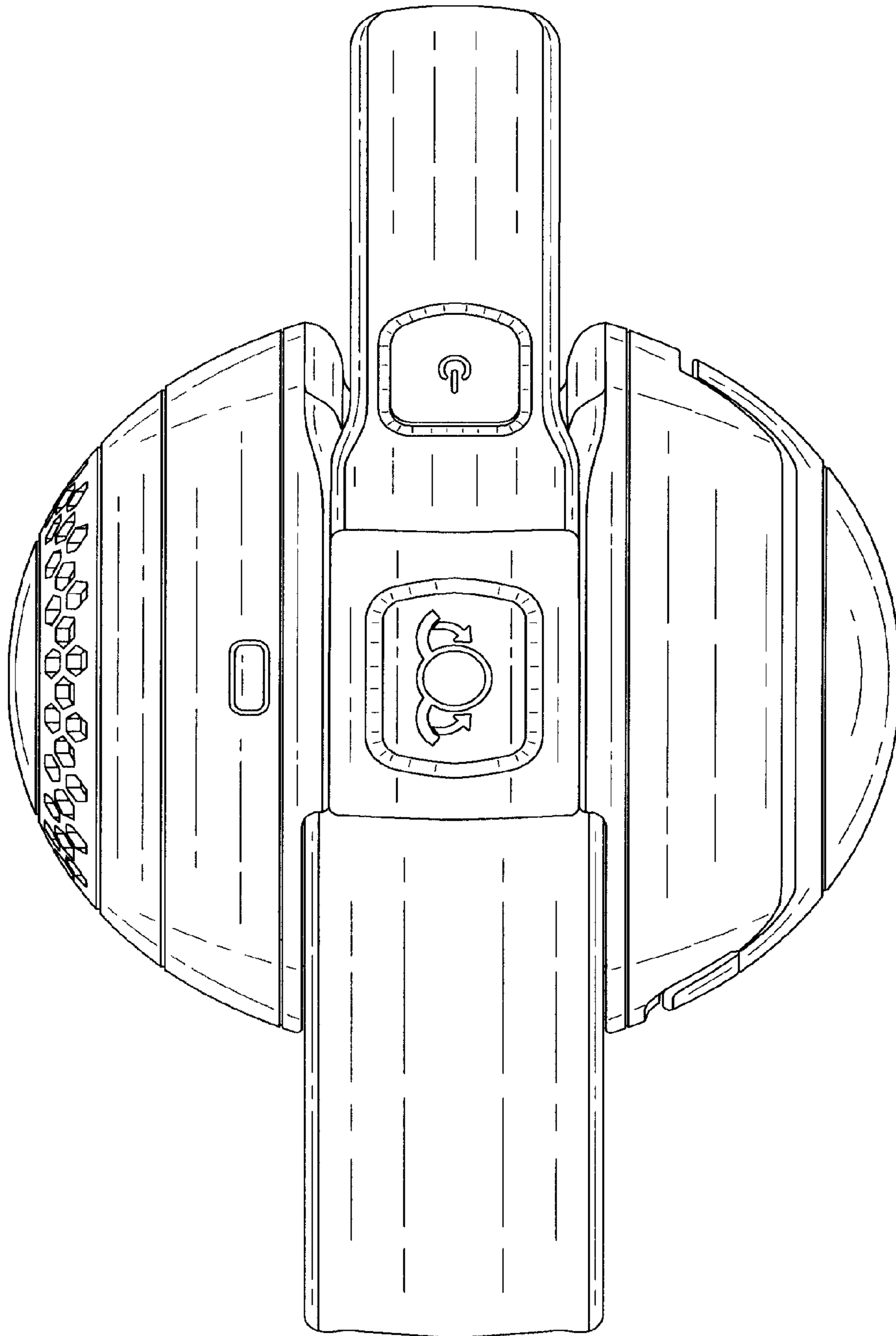


FIG.6

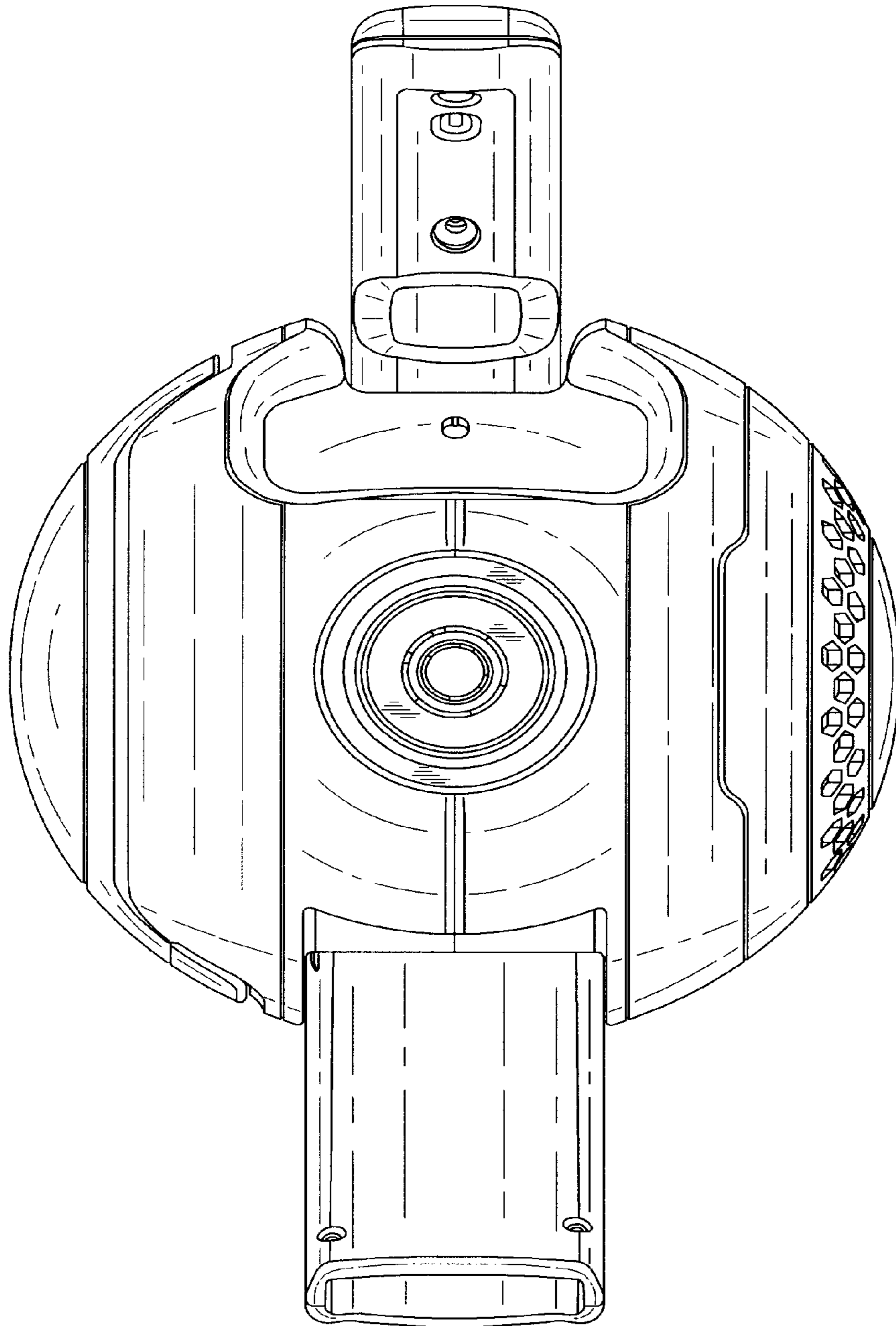


FIG.7



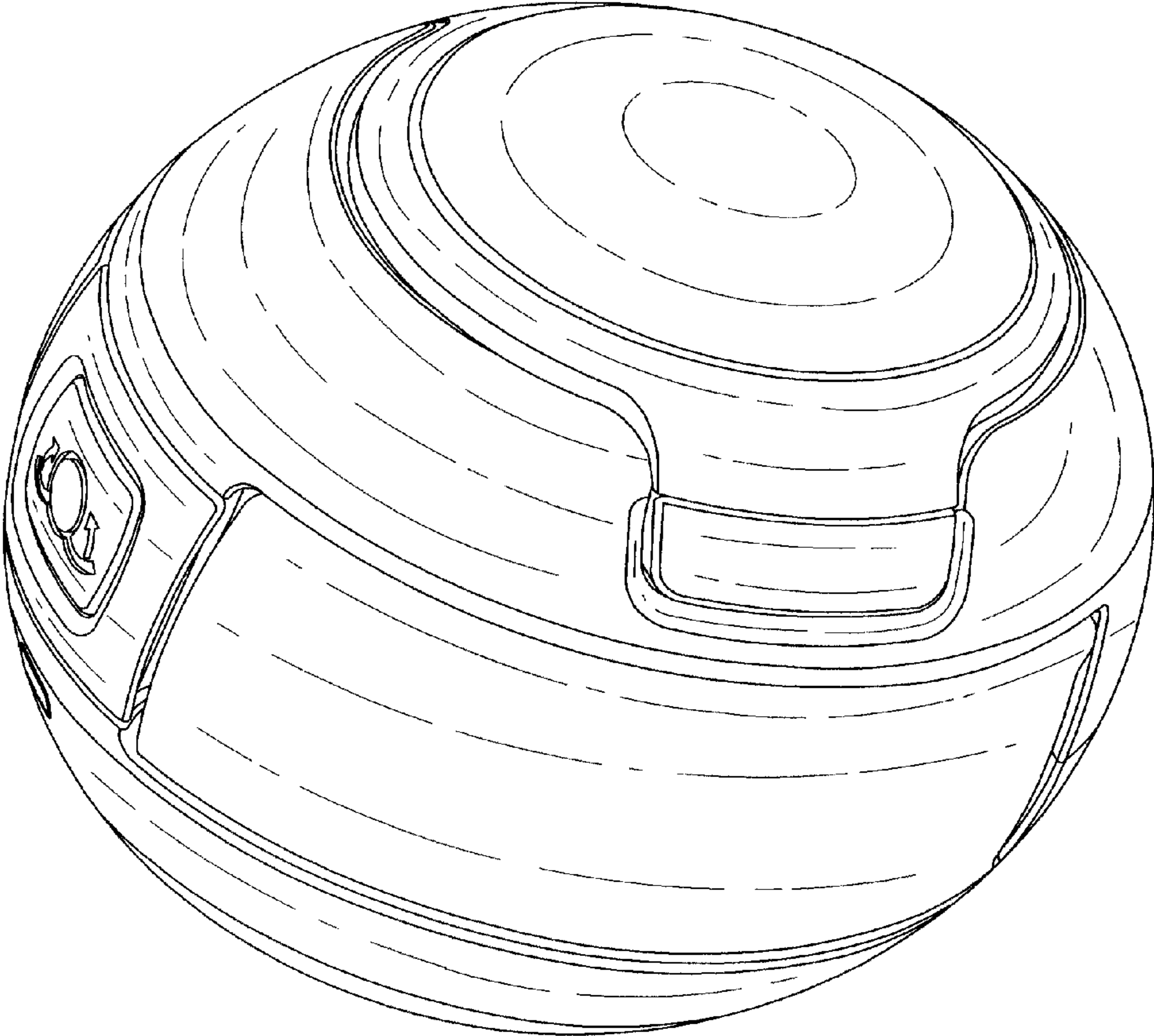


FIG.8

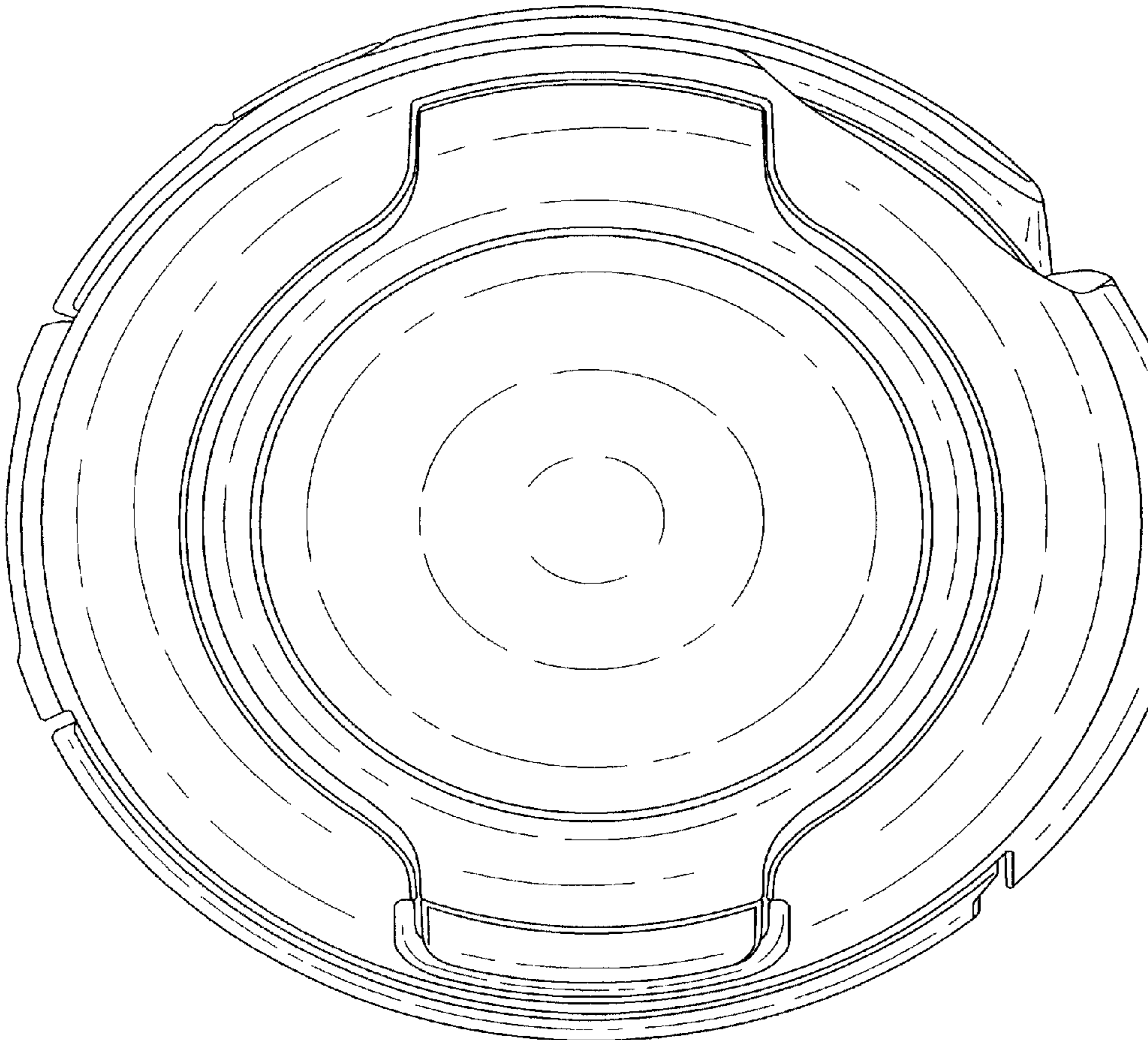


FIG.9

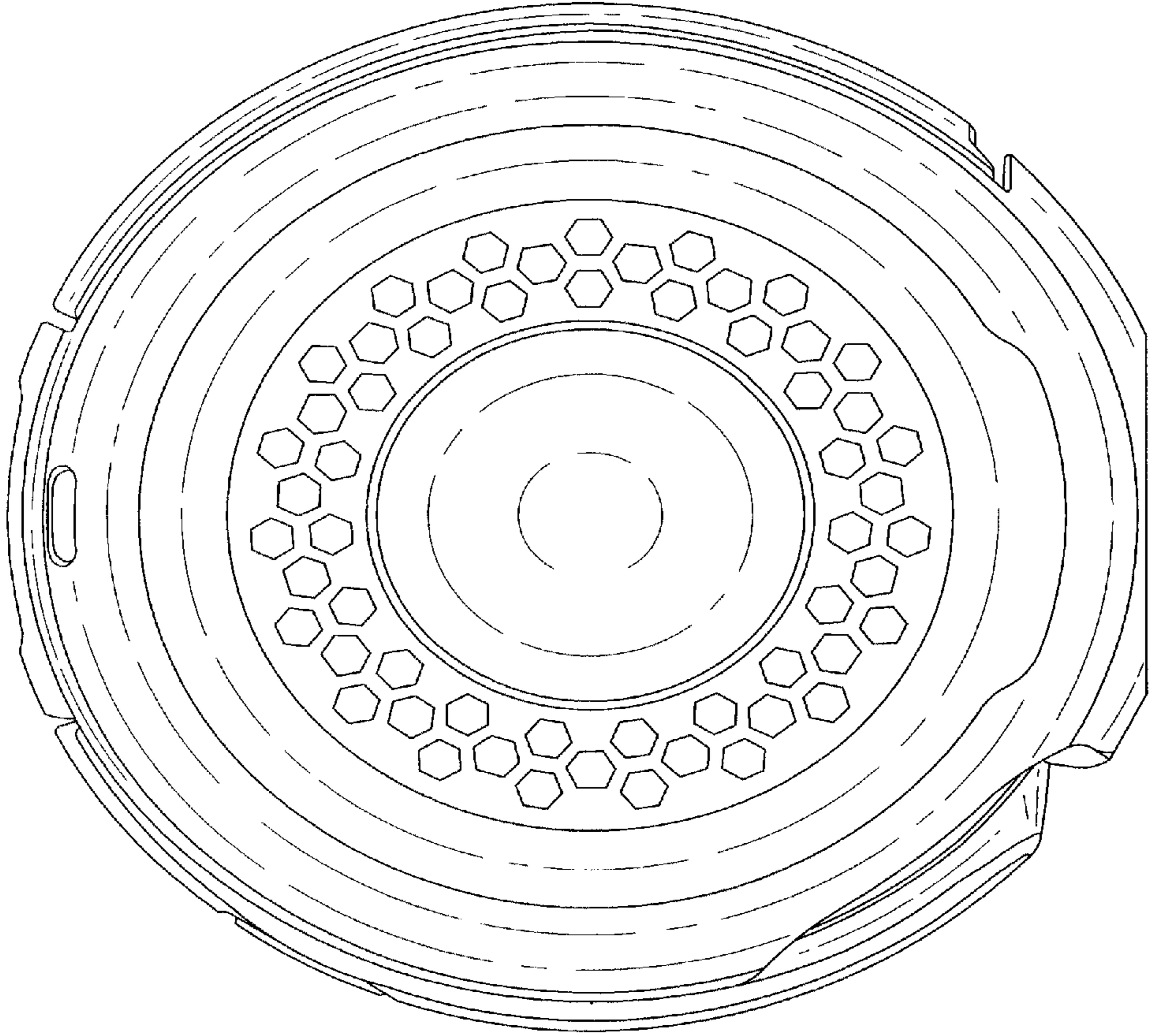


FIG.10

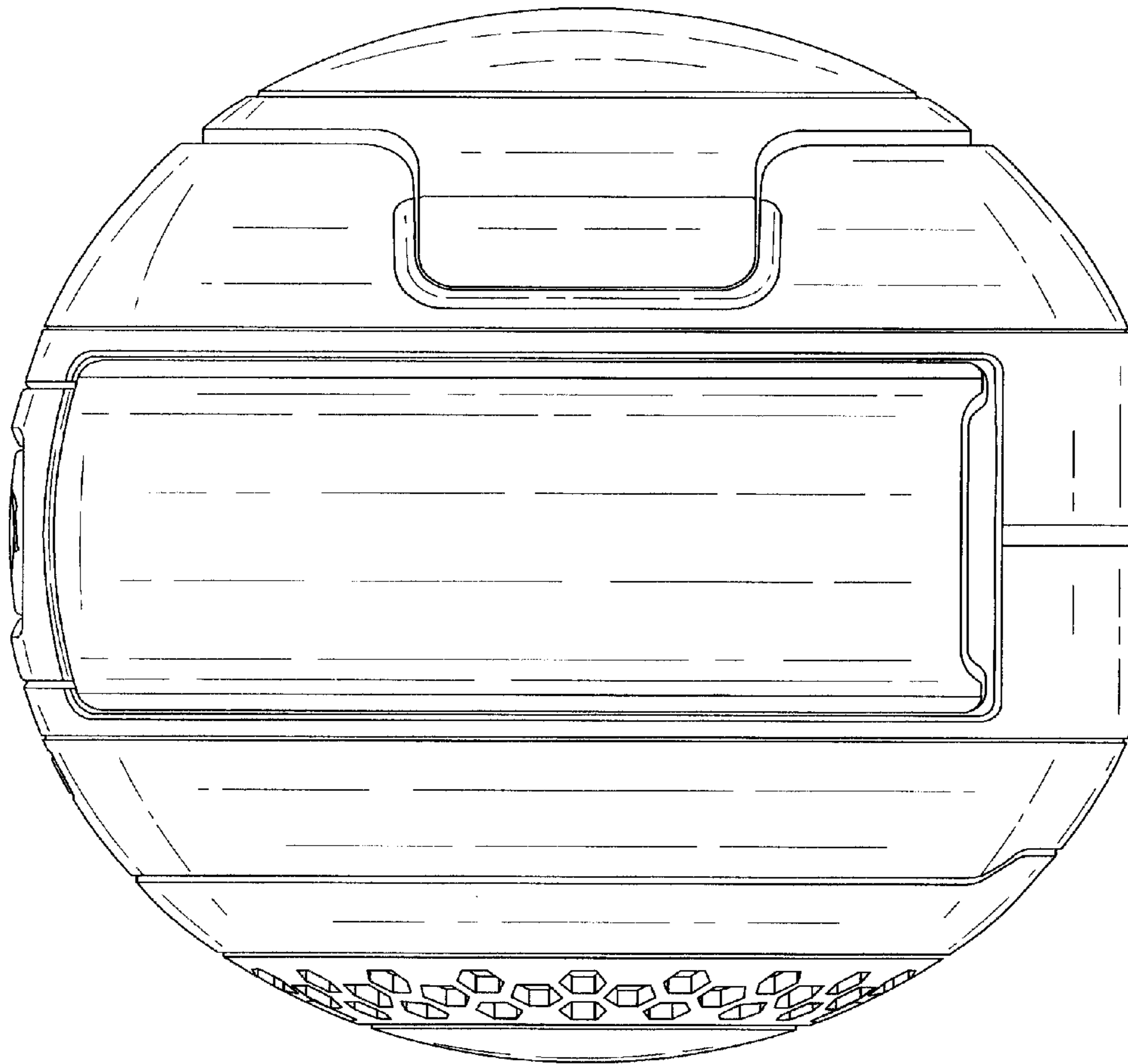


FIG.11

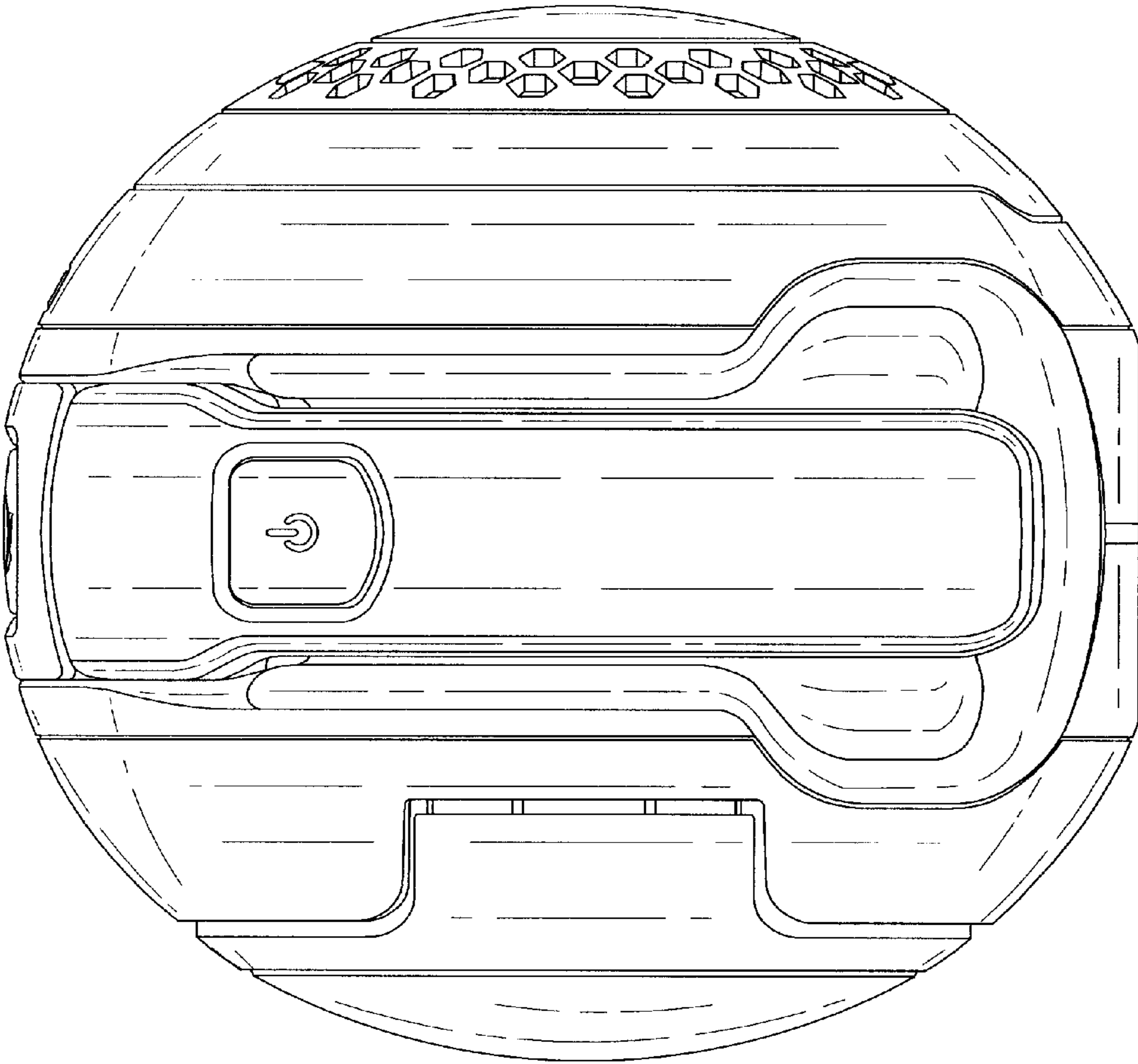


FIG.12

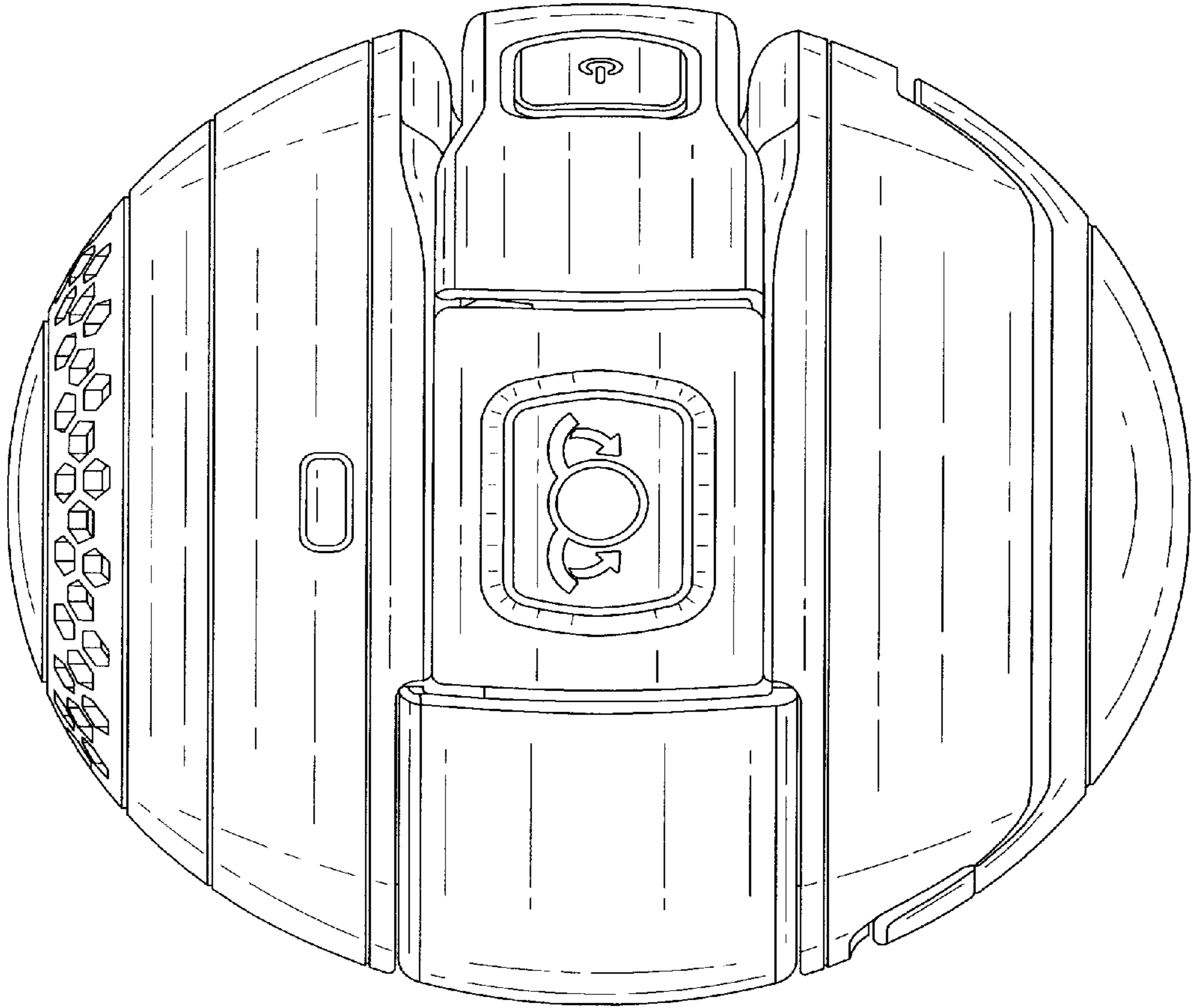


FIG.13

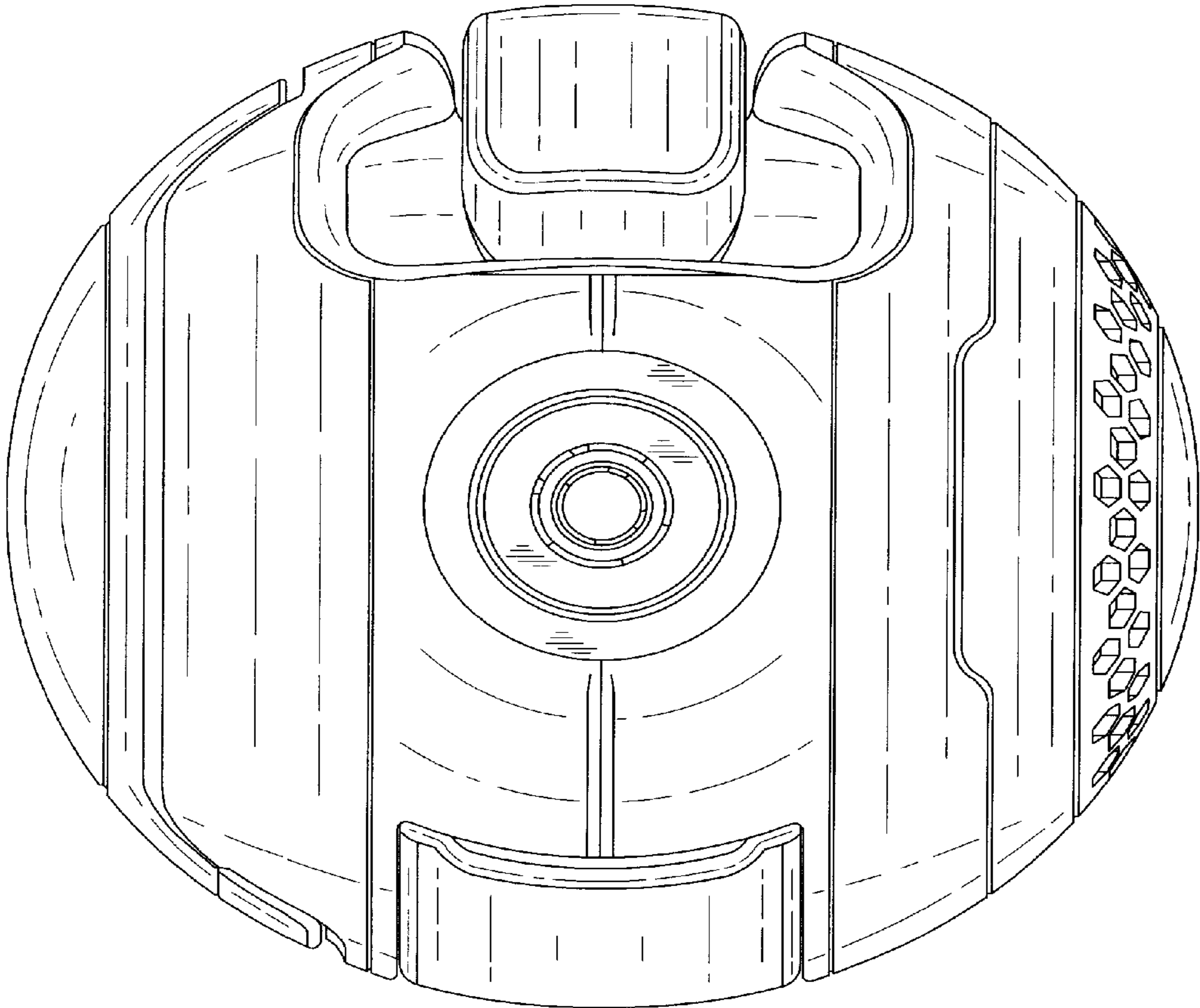


FIG.14