



US00D663909S

(12) **United States Design Patent**
Andreesen

(10) **Patent No.:** **US D663,909 S**
(45) **Date of Patent:** **** Jul. 17, 2012**

(54) **HEAD FOR PORTABLE GARMENT
STEAMER**

(75) Inventor: **Stefan Andreesen**, Amsterdam (NL)

(73) Assignee: **Koninklijke Philips Electronics N.V.**,
Eindhoven (NL)

(**) Term: **14 Years**

(21) Appl. No.: **29/357,672**

(22) Filed: **Mar. 16, 2010**

(30) **Foreign Application Priority Data**

Sep. 17, 2009 (EM) 001612615-0002

(51) **LOC (9) Cl.** **15-05**

(52) **U.S. Cl.** **D32/17**

(58) **Field of Classification Search** D32/1,
D32/6, 9, 15, 17, 18, 19; D4/114; D23/213,
D23/223, 224, 225; 15/300.1, 320, 321,
15/322, 344; 134/19, 198; 38/69, 70, 74,
38/75, 77.1, 77.5, 77.7, 77.83; 392/386,
392/394, 403, 404, 405, 406; 8/147, 149.2,
8/149.3; 141/59; 239/537, 538, 583, 584,
239/525, 526; 68/5 A, 5 R, 3 R, 213, 222
See application file for complete search history.

(56) **References Cited**

U.S. PATENT DOCUMENTS

D184,829	S *	4/1959	Nerhelm	D32/18
3,372,499	A *	3/1968	Gilbert	38/77.83
D229,016	S *	11/1973	Plasko	D32/17
D264,139	S *	4/1982	Pearman, Jr.	D32/33
D296,372	S *	6/1988	Toney et al.	D32/32
D306,788	S *	3/1990	McAllister et al.	D32/32
D319,121	S *	8/1991	Muller	D32/17

5,634,238	A *	6/1997	McCaffrey et al.	15/353
6,347,428	B1 *	2/2002	Shimko et al.	15/320
6,986,217	B2 *	1/2006	Leung et al.	38/77.83
D540,498	S *	4/2007	Tobias	D32/17
D576,363	S *	9/2008	Reiner	D32/17
7,478,455	B2 *	1/2009	Heim	15/320
D587,866	S *	3/2009	Mangano	D32/17
D589,663	S *	3/2009	Massip et al.	D32/17
D592,365	S *	5/2009	Massip et al.	D32/17
D595,461	S *	6/2009	Massip et al.	D32/17
D595,964	S *	7/2009	Choi	D4/114
D601,806	S *	10/2009	Choi	D4/114
D605,821	S *	12/2009	Shaanan	D32/35
D620,208	S *	7/2010	Mangano	D32/17
D620,651	S *	7/2010	Enervold	D32/17
D622,457	S *	8/2010	Choi	D32/17
D624,254	S *	9/2010	Ediger et al.	D32/17
D626,708	S *	11/2010	Khalil et al.	D32/18
2006/0056824	A1 *	3/2006	Leung et al.	392/403

* cited by examiner

Primary Examiner — Elizabeth J Oswecki

(57) **CLAIM**

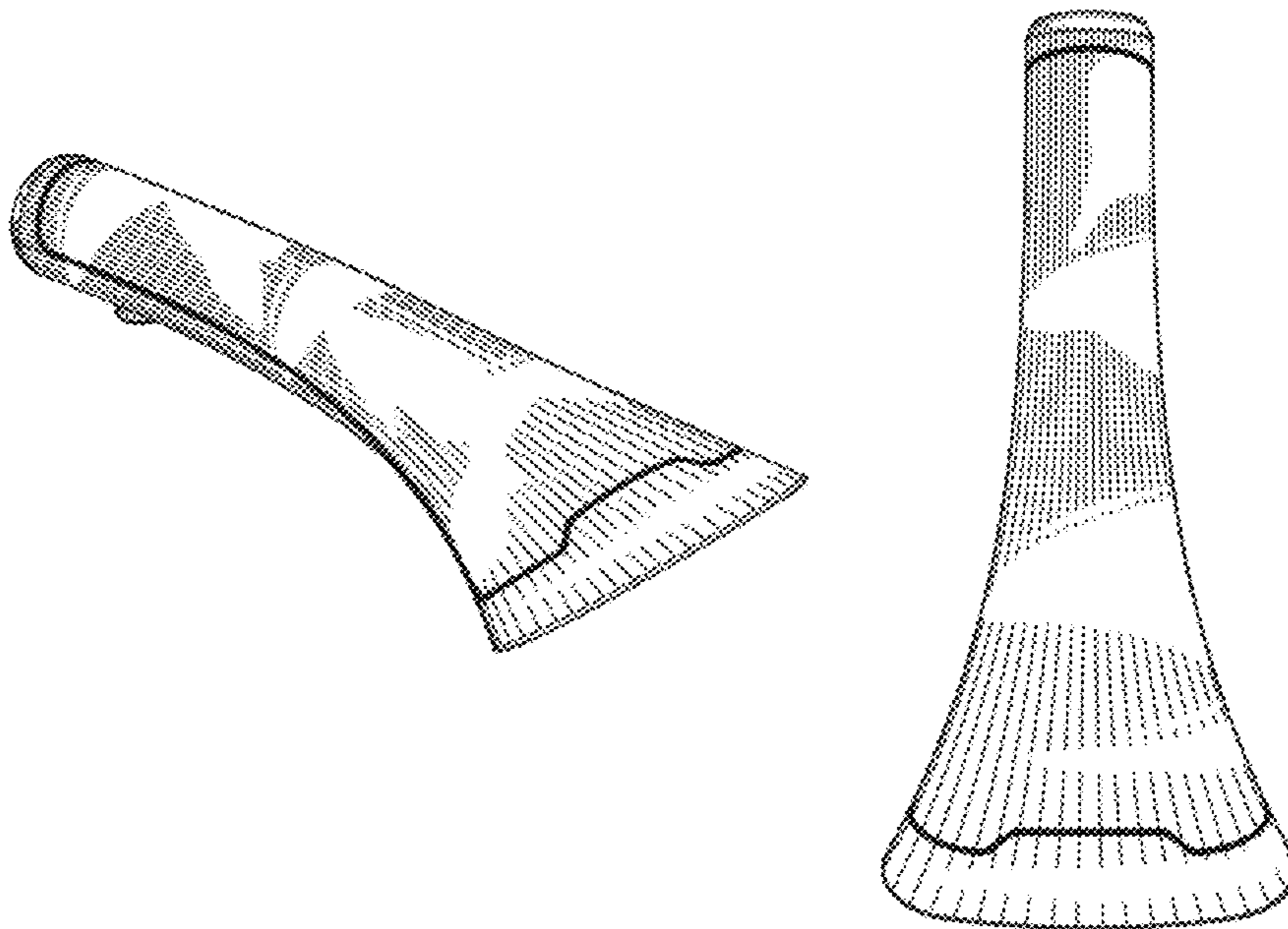
The ornamental design for a head for portable garment steamer, as shown and described.

DESCRIPTION

FIG. 1 is a perspective view of a head for portable garment steamer showing my new design;
FIG. 2 is a front elevational view thereof;
FIG. 3 is a rear elevational view thereof;
FIG. 4 is a right side elevational view thereof;
FIG. 5 is a left side elevational view thereof;
FIG. 6 is a top plan view thereof; and,
FIG. 7 is a bottom plan view thereof.

The broken lines in FIGS. 2, 3 and 7 are included for the purpose of illustrating portions of the head for portable garment steamer that form no part of the claimed design.

1 Claim, 3 Drawing Sheets



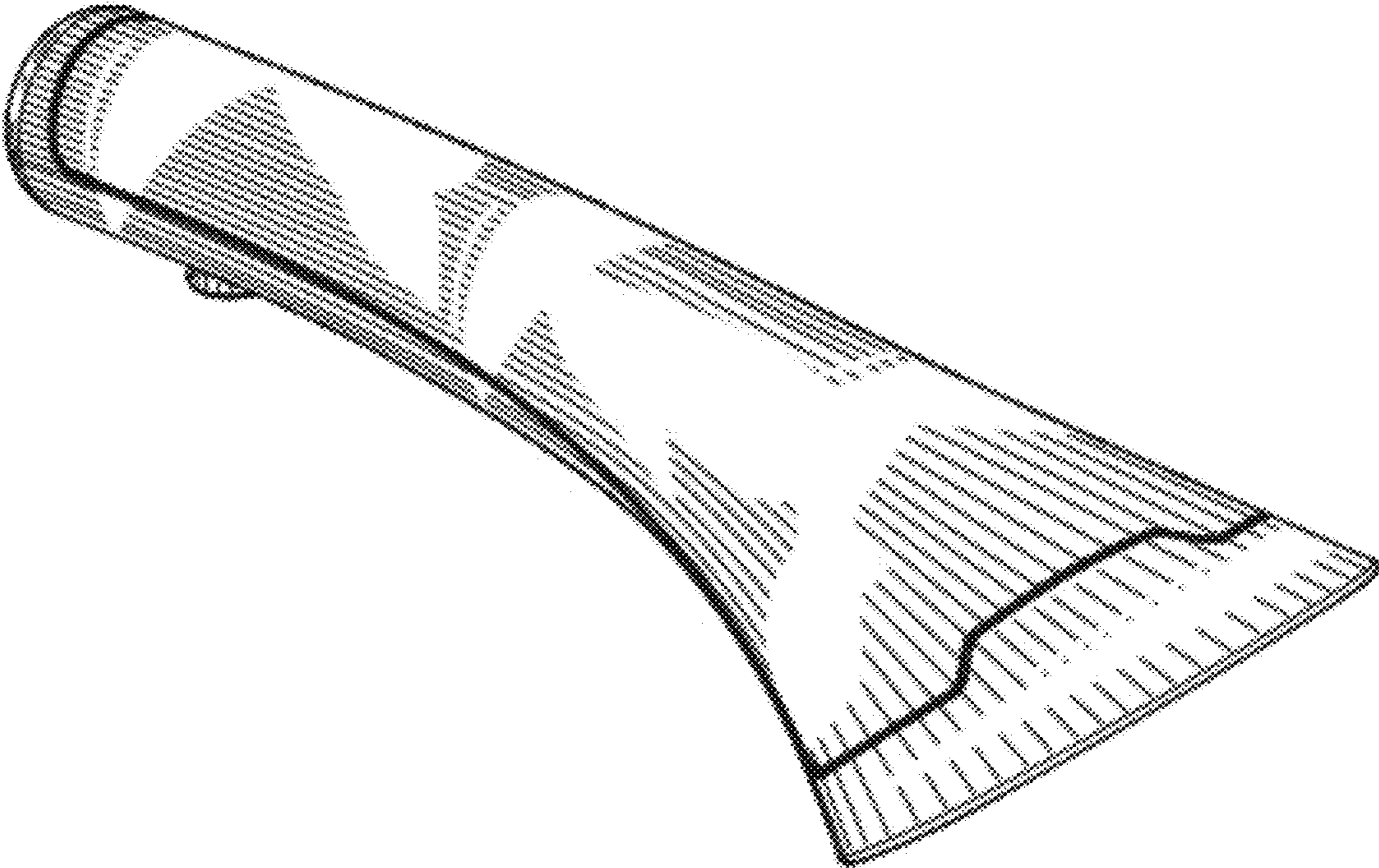


FIG. 1

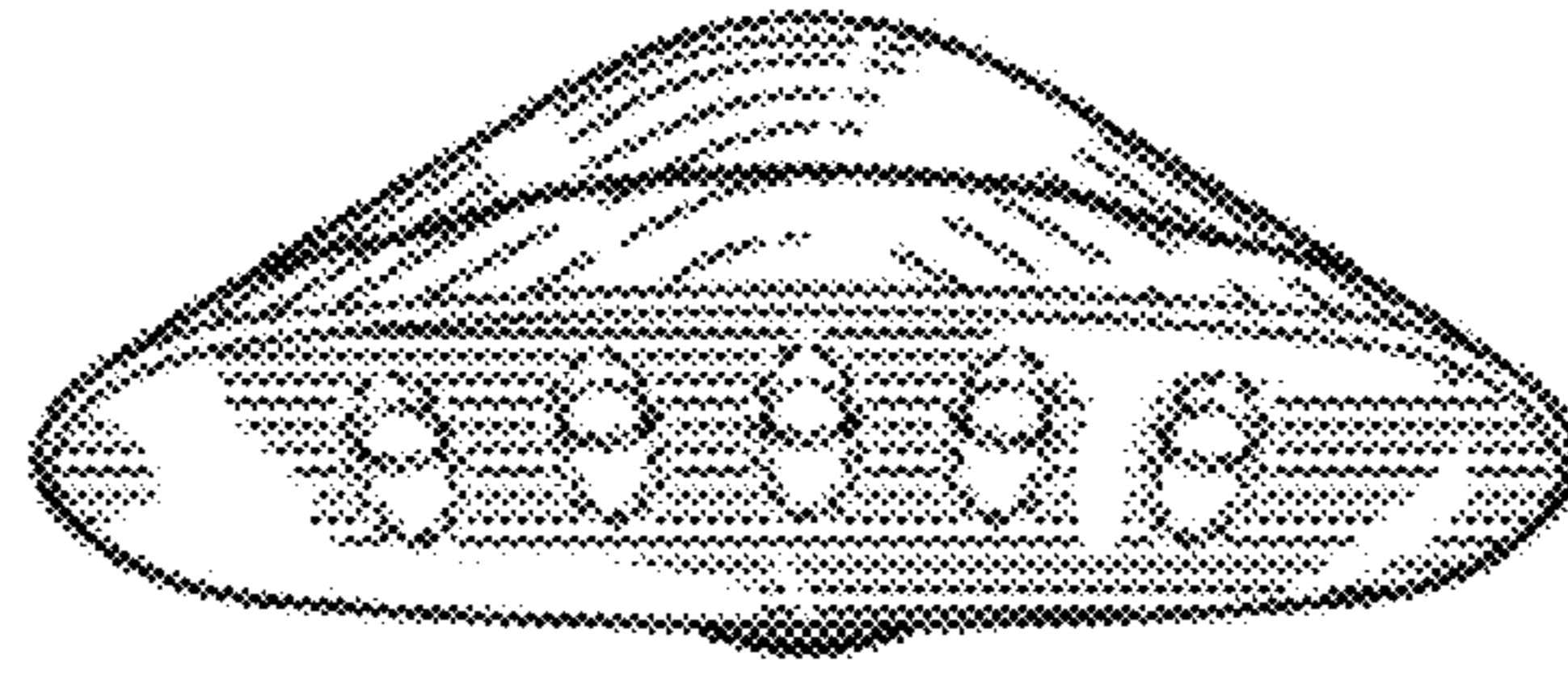


FIG. 2

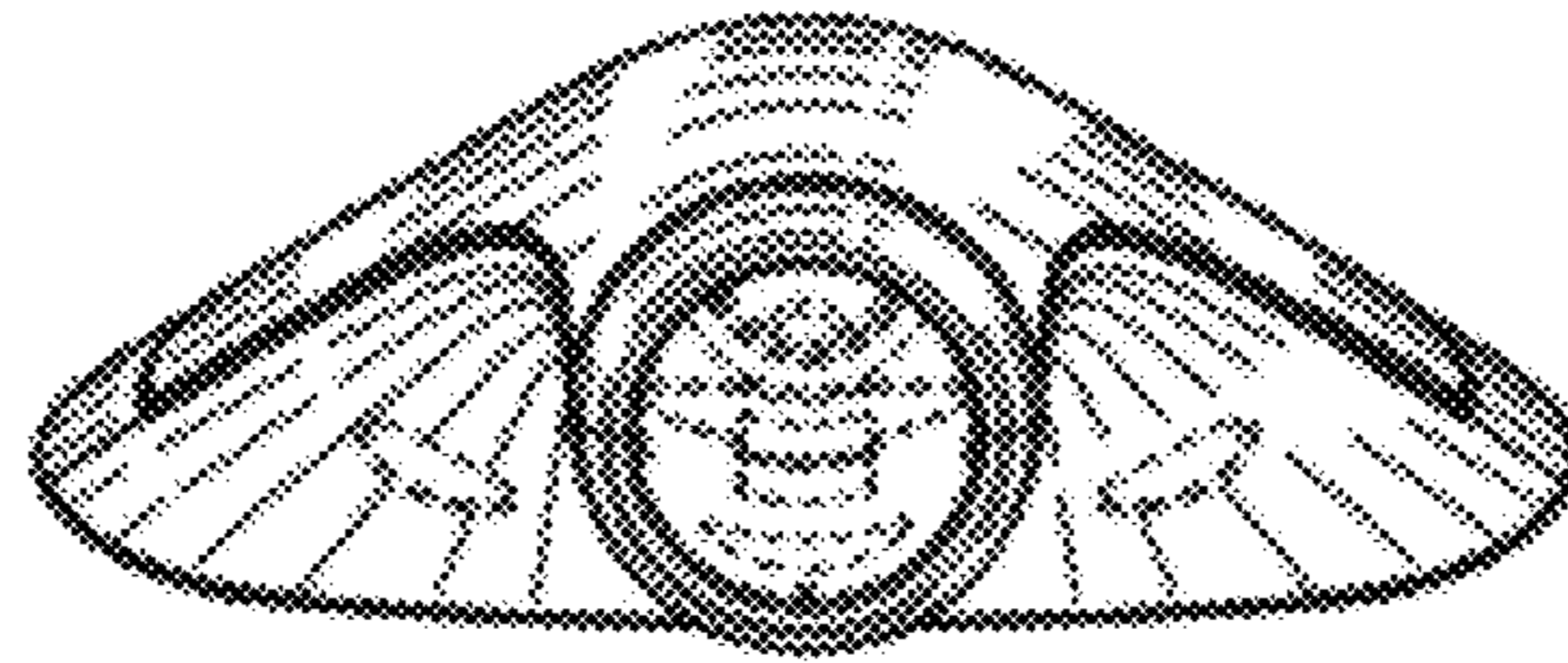


FIG. 3



FIG. 4

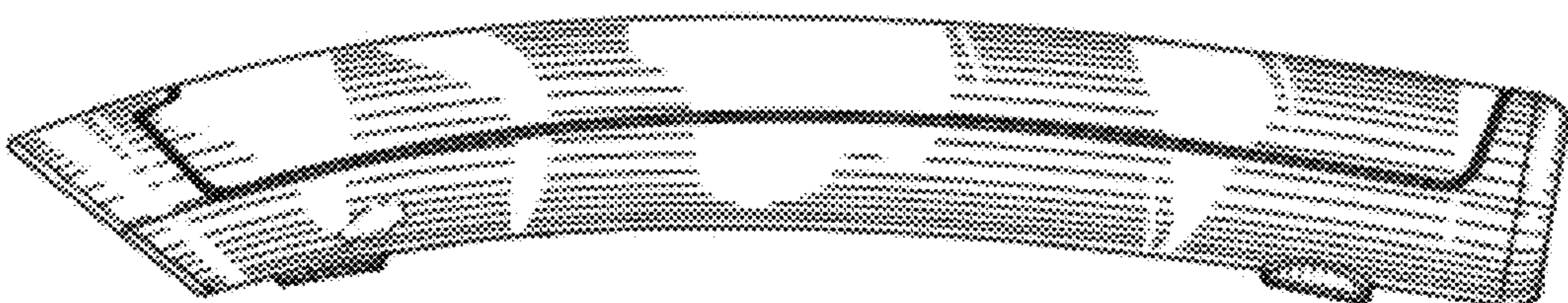


FIG. 5

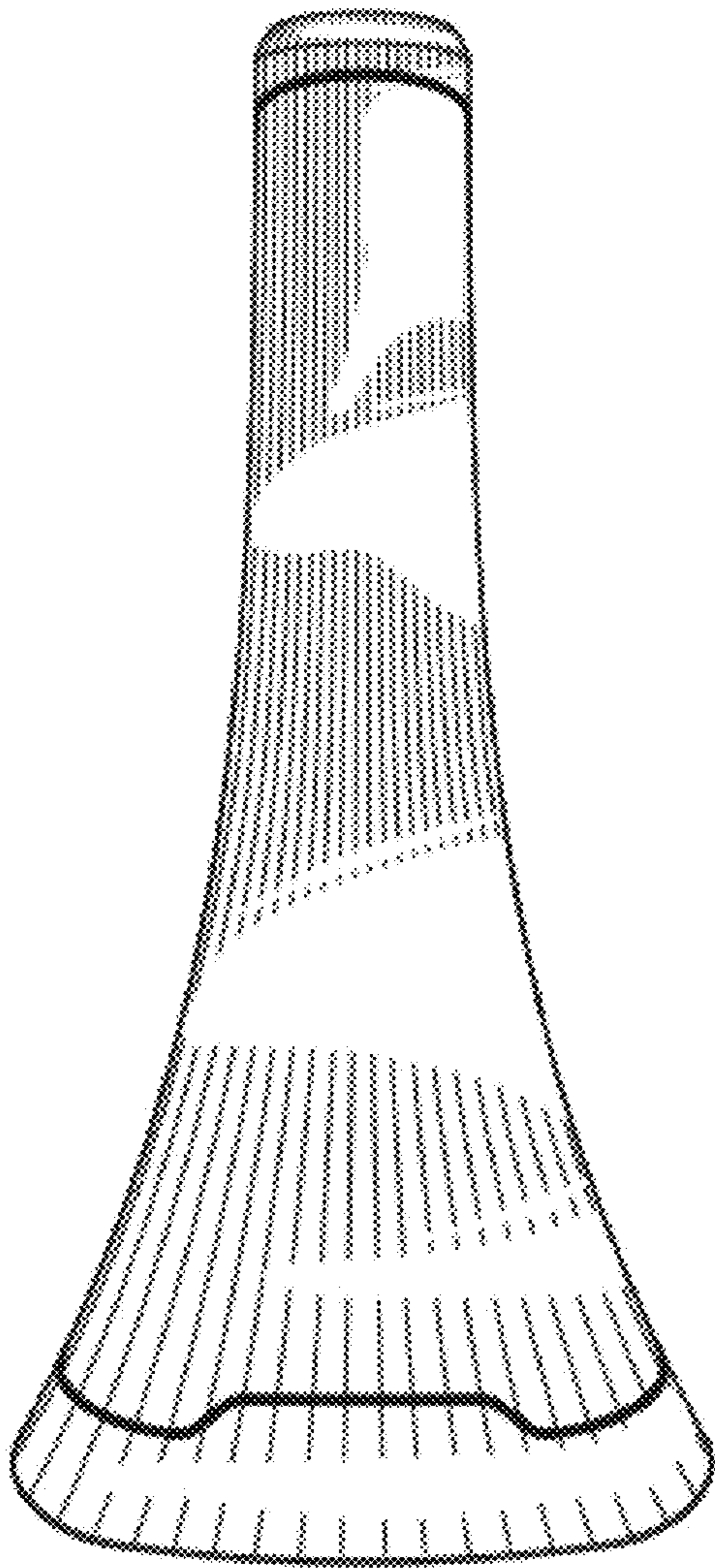


FIG. 6

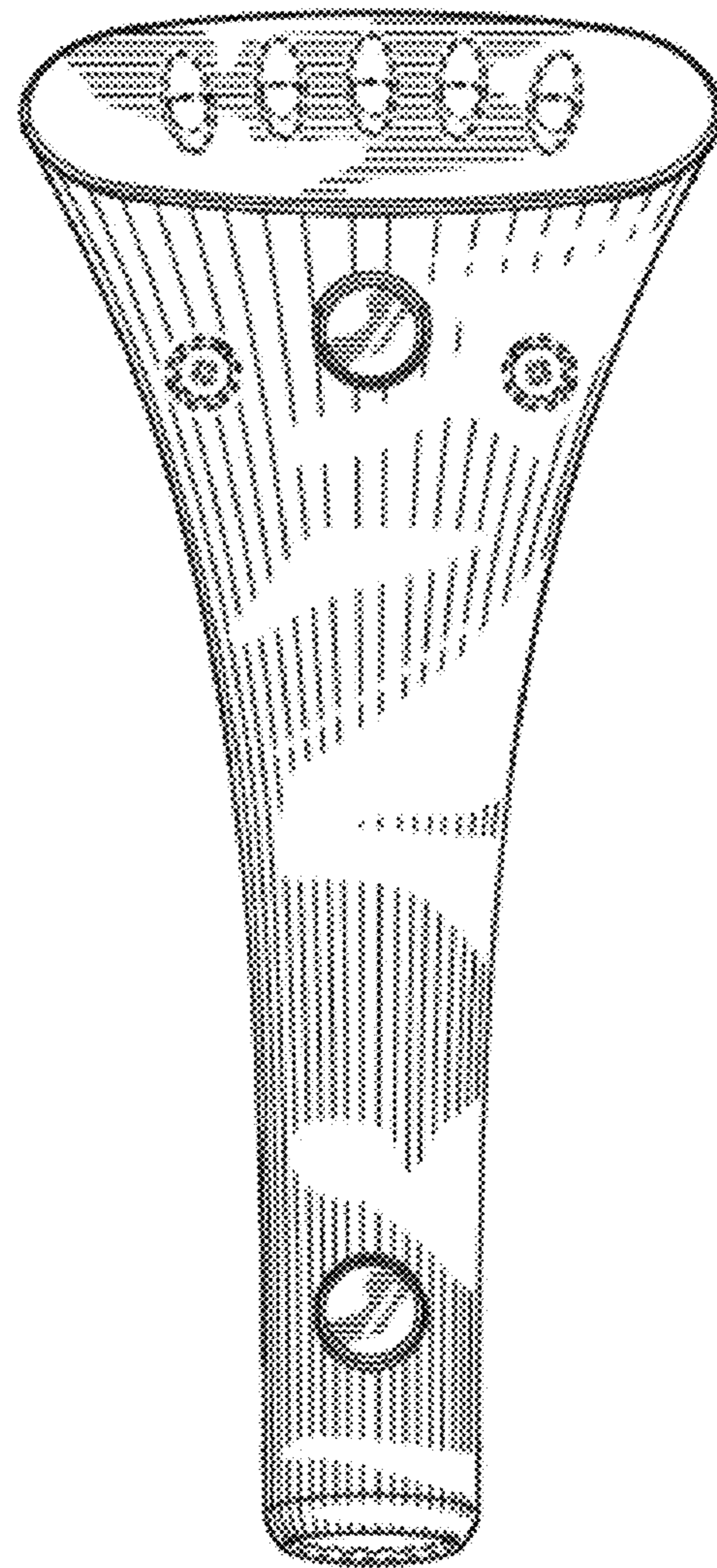


FIG. 7