



US00D663908S

(12) **United States Design Patent**  
**Jeon et al.**

(10) **Patent No.:** **US D663,908 S**  
(45) **Date of Patent:** **\*\* Jul. 17, 2012**

(54) **WASHING MACHINE**

(75) Inventors: **Hoil Jeon**, Gyeonggi-do (KR);  
**Junghwan Lee**, Seoul (KR); **On Kim**,  
Seoul (KR); **Nerry Son**, Seoul (KR);  
**Yeji Um**, Seoul (KR)

(73) Assignee: **LG Electronics Inc.**, Seoul (KR)

(\*\*) Term: **14 Years**

(21) Appl. No.: **29/410,326**

(22) Filed: **Jan. 6, 2012**

(30) **Foreign Application Priority Data**

Jul. 15, 2011 (KR) ..... 30-2011-0029591

(51) **LOC (9) Cl.** ..... **15-05**

(52) **U.S. Cl.** ..... **D32/6**

(58) **Field of Classification Search** ..... D32/1,  
D32/5-6, 8, 10; 68/3 R, 5 R, 12.01, 12.07-12.08;  
34/87-88, 523-524; 312/31

See application file for complete search history.

(56) **References Cited**

**U.S. PATENT DOCUMENTS**

D557,466 S \* 12/2007 Suh ..... D32/6  
D582,107 S \* 12/2008 Ha et al. .... D32/6

D584,865 S \* 1/2009 Kim et al. .... D32/6  
D613,466 S \* 4/2010 Kim ..... D32/6  
D614,366 S \* 4/2010 Shor ..... D32/6  
D627,114 S \* 11/2010 Jeon et al. .... D32/6  
D627,115 S \* 11/2010 Jeon et al. .... D32/6  
D627,529 S \* 11/2010 Jeon et al. .... D32/6  
D633,262 S \* 2/2011 Jeon et al. .... D32/6  
D635,313 S \* 3/2011 Jeon et al. .... D32/6  
D642,752 S \* 8/2011 Kim ..... D32/6  
D642,753 S \* 8/2011 Ha ..... D32/6

\* cited by examiner

*Primary Examiner* — T. Chase Nelson  
*Assistant Examiner* — Kathleen M Sims

(74) *Attorney, Agent, or Firm* — Morgan, Lewis, & Bockius  
LLP

(57) **CLAIM**

The ornamental design for a washing machine, as shown and described.

**DESCRIPTION**

FIG. 1 is a front, right side, perspective view of a washing machine showing our new design;  
FIG. 2 is a front view thereof;  
FIG. 3 is a rear view thereof;  
FIG. 4 is a left side view thereof;  
FIG. 5 is a right side view thereof;  
FIG. 6 is a top view thereof; and,  
FIG. 7 is a bottom view thereof.

**1 Claim, 6 Drawing Sheets**

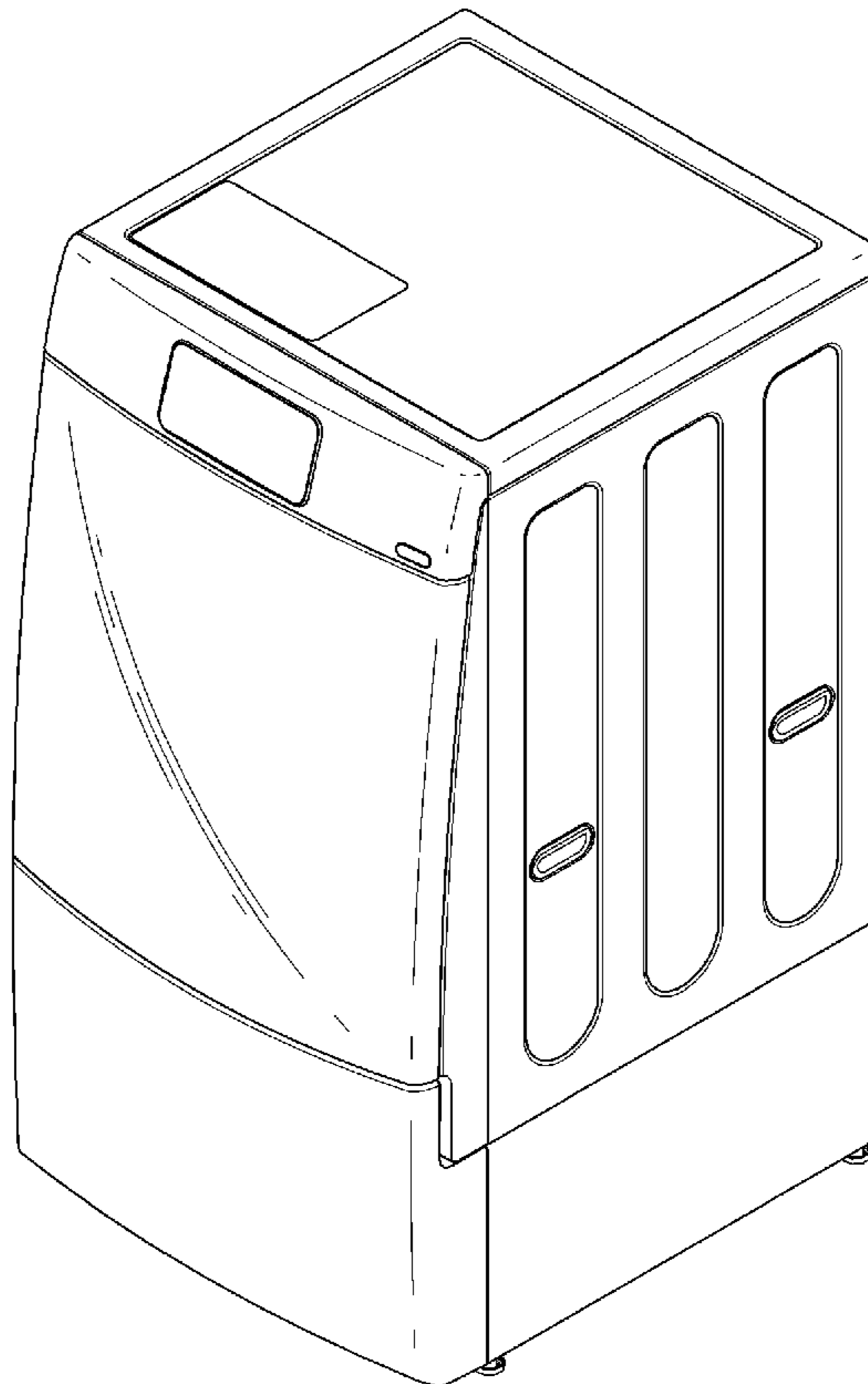


FIG. 1

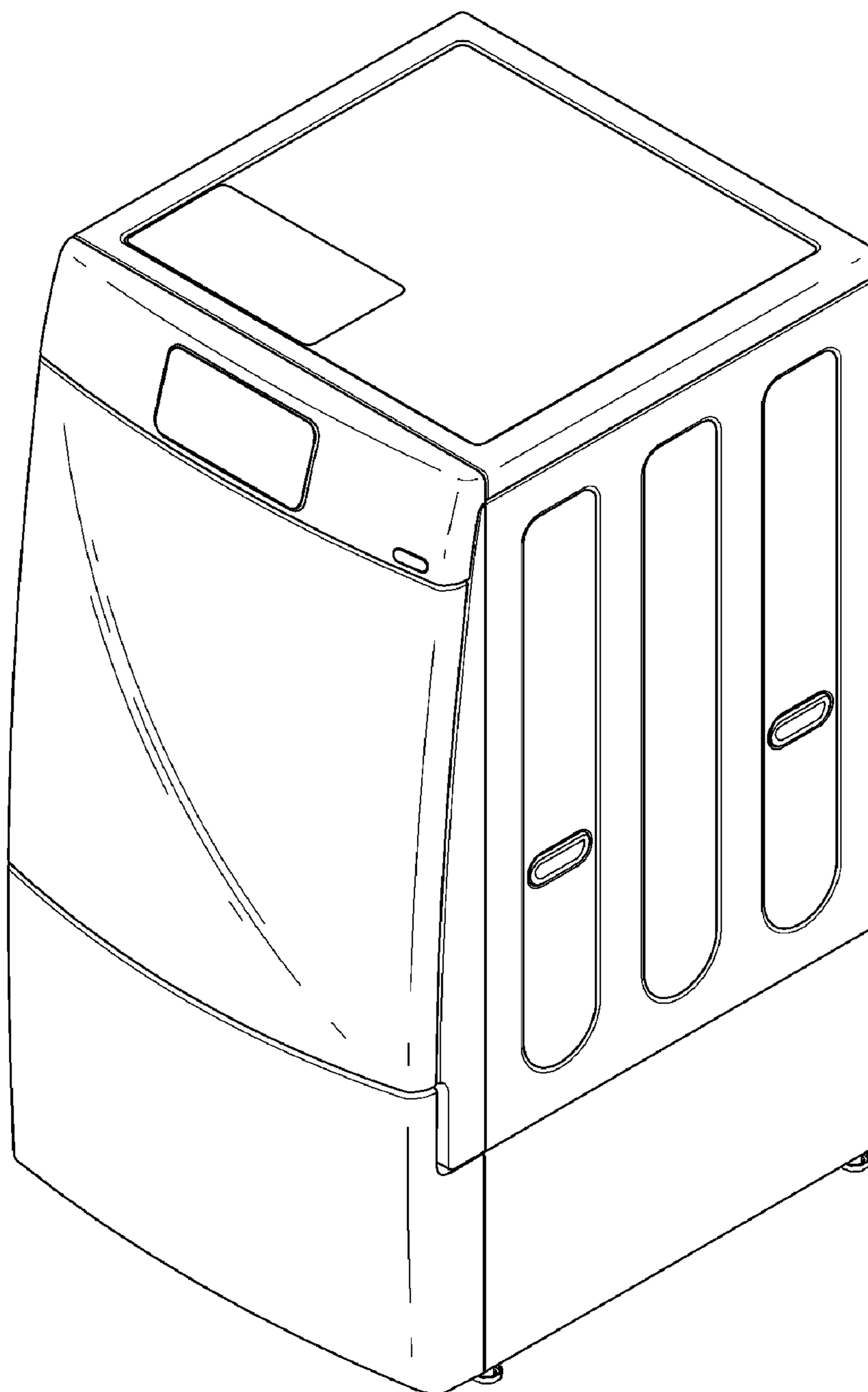


FIG. 2

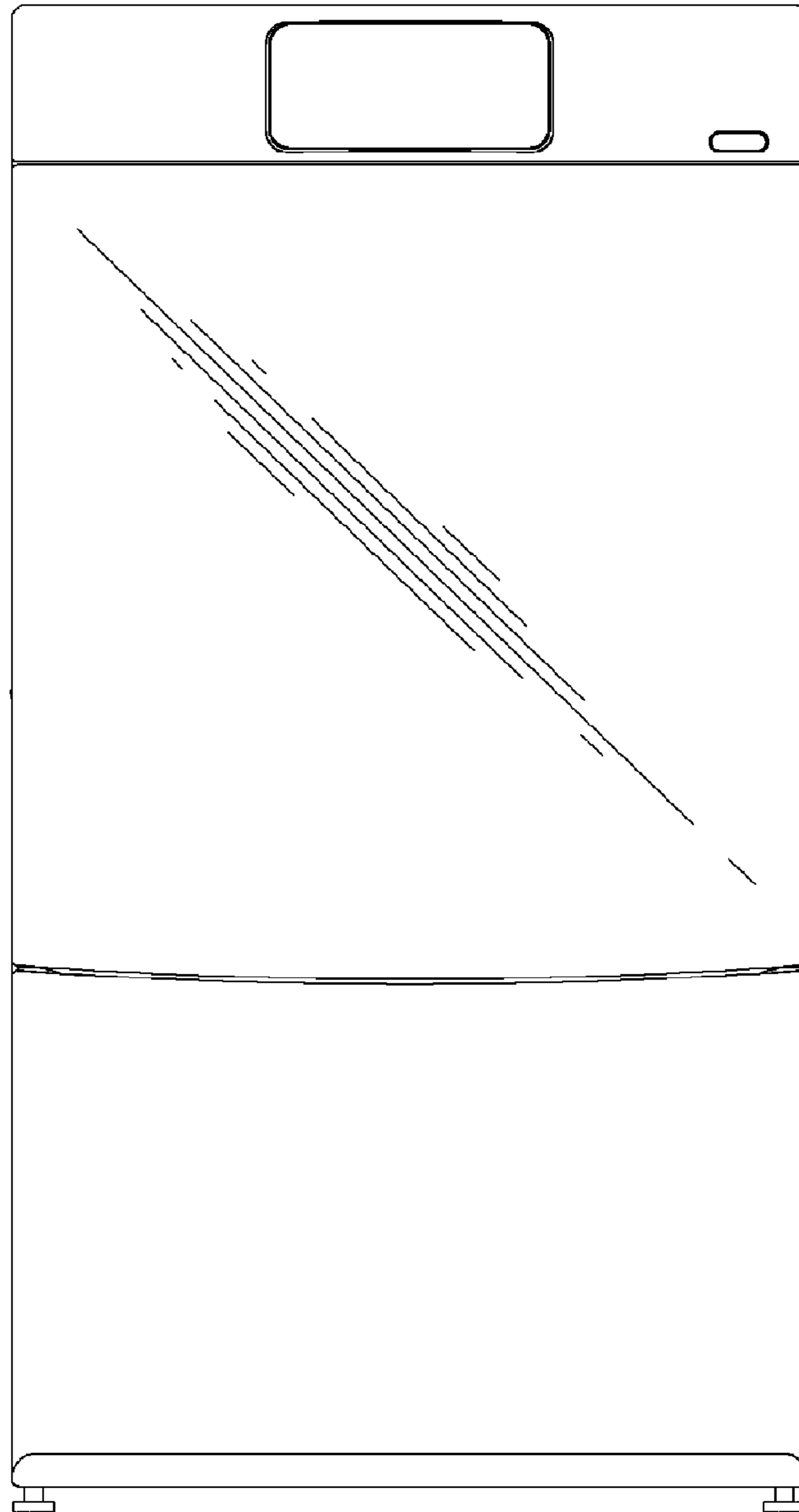


FIG. 3



FIG. 4

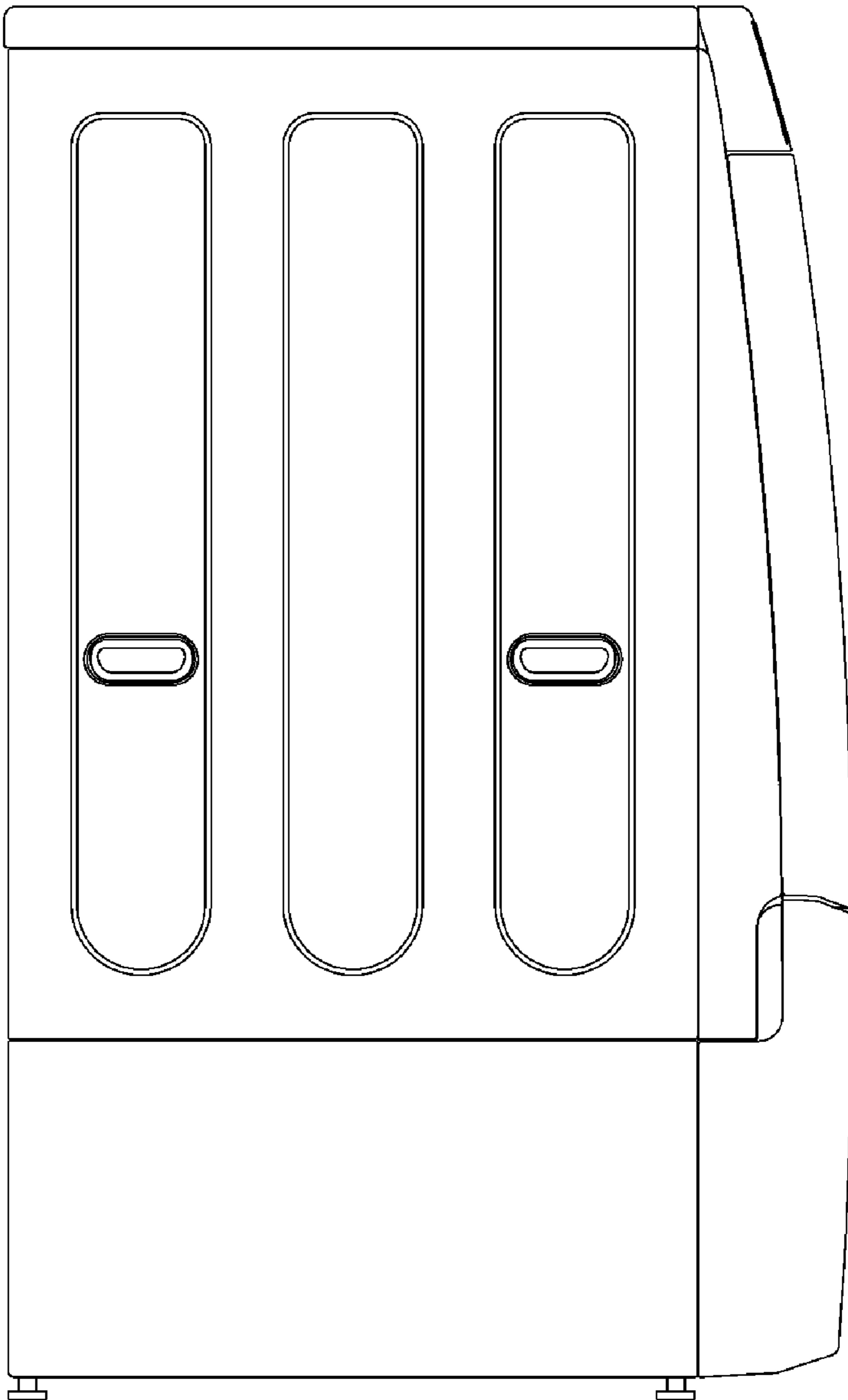


FIG. 5

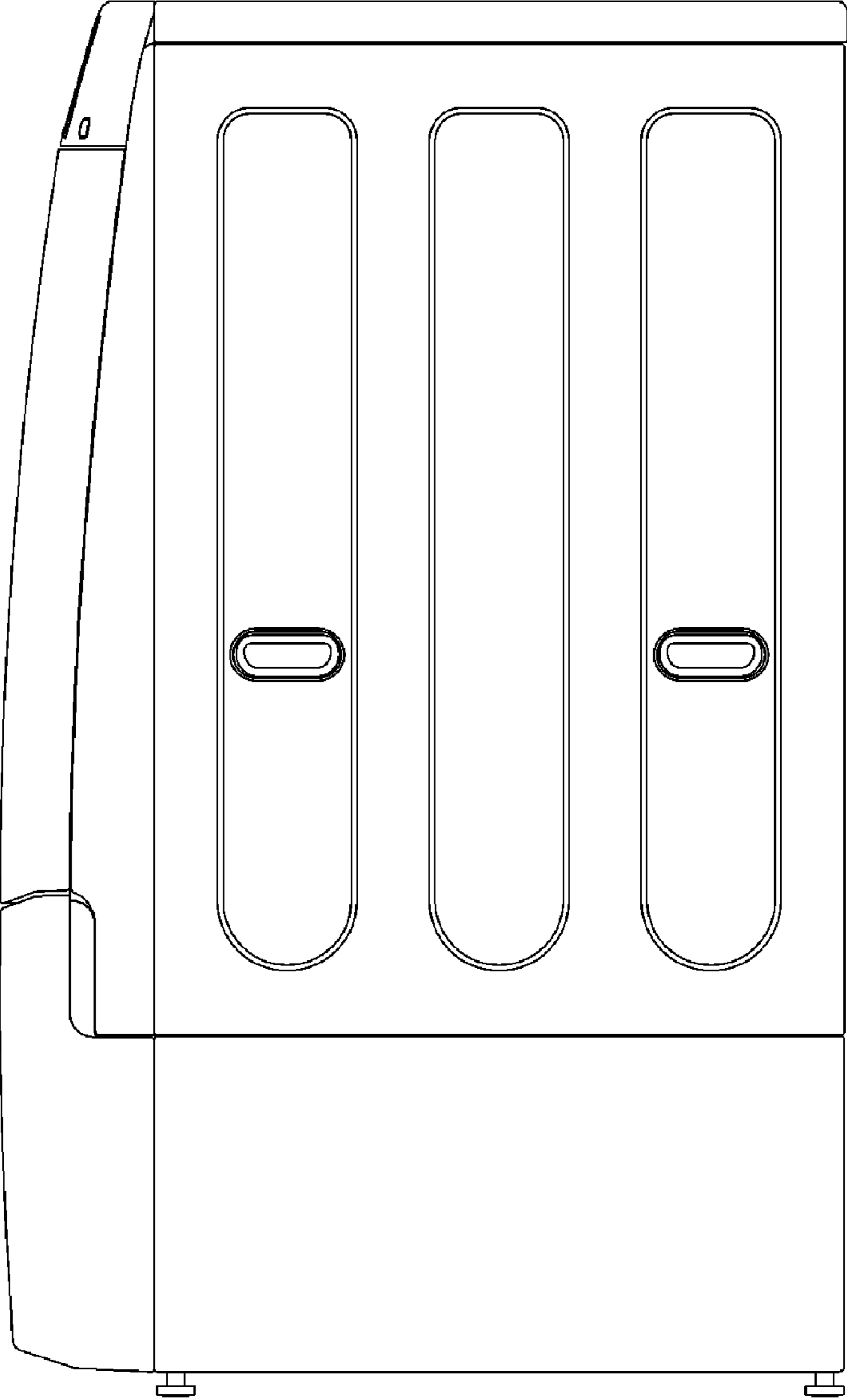


FIG. 6

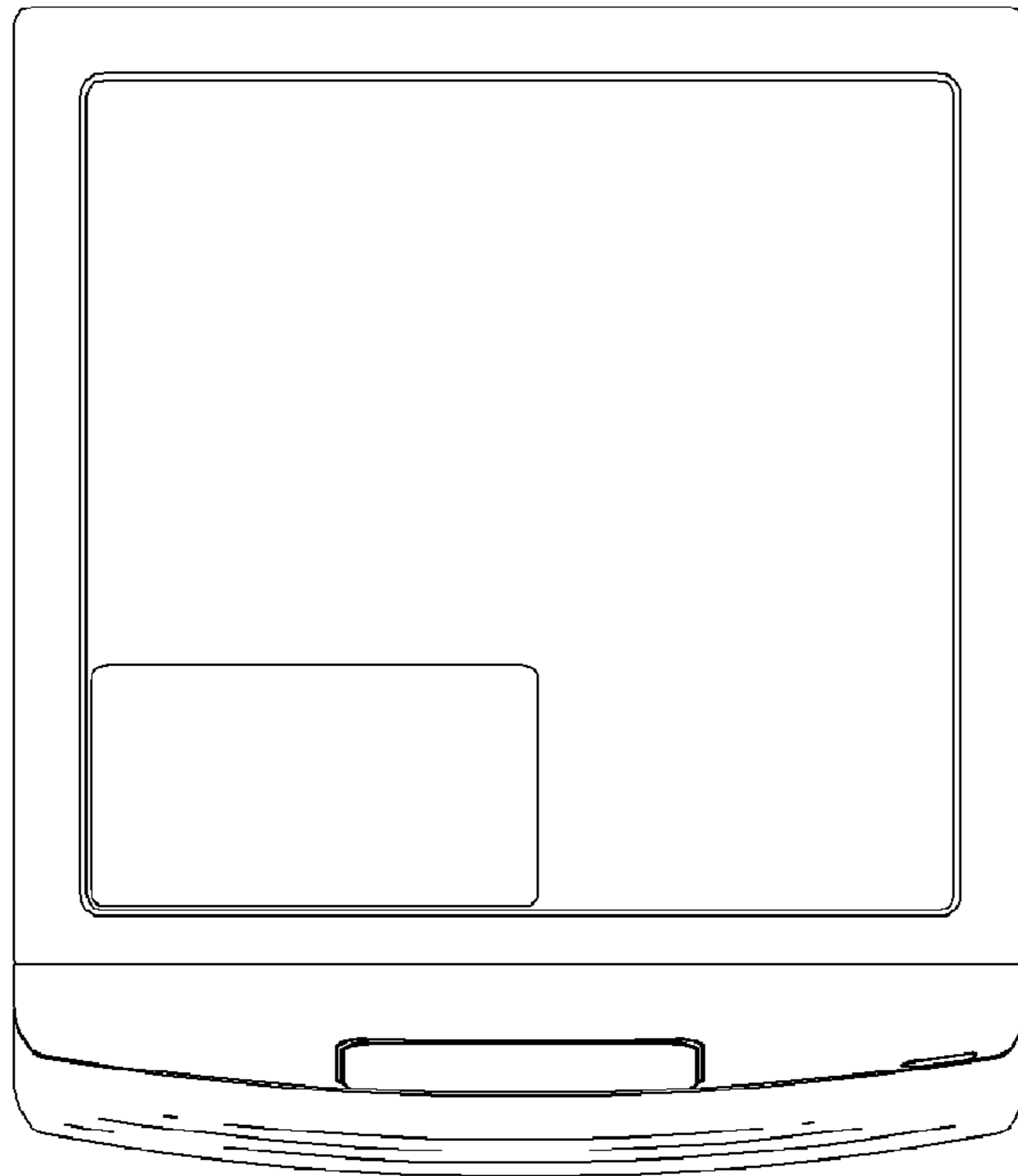


FIG. 7

