



US00D663907S

(12) **United States Design Patent**
Jeon et al.

(10) **Patent No.:** **US D663,907 S**
(45) **Date of Patent:** **** Jul. 17, 2012**

(54) **WASHING MACHINE**

(75) Inventors: **Hoil Jeon**, Gyeonggi-do (KR);
Junghwan Lee, Seoul (KR); **On Kim**,
Seoul (KR); **Nerry Son**, Seoul (KR);
Yeji Um, Seoul (KR)

(73) Assignee: **LG Electronics Inc.**, Seoul (KR)

(**) Term: **14 Years**

(21) Appl. No.: **29/410,289**

(22) Filed: **Jan. 6, 2012**

(30) **Foreign Application Priority Data**

Jul. 15, 2011 (KR) 30-2011-0029592

(51) **LOC (9) Cl.** **15-05**

(52) **U.S. Cl.** **D32/6**

(58) **Field of Classification Search** D32/1,
D32/5-6, 8, 10; 68/3 R, 5 R, 12.01, 12.07-12.08;
34/523-524, 87-88; 312/31

See application file for complete search history.

(56) **References Cited**

U.S. PATENT DOCUMENTS

D539,992 S * 4/2007 Yamamoto et al. D32/2
D557,466 S * 12/2007 Suh D32/6

D613,466 S * 4/2010 Kim D32/6
D613,467 S * 4/2010 Park et al. D32/6
D614,366 S * 4/2010 Shor D32/6
D627,114 S * 11/2010 Jeon et al. D32/6
D642,753 S * 8/2011 Ha D32/6

* cited by examiner

Primary Examiner — T. Chase Nelson

Assistant Examiner — Kathleen M Sims

(74) *Attorney, Agent, or Firm* — Morgan, Lewis & Bockius
LLP

(57) **CLAIM**

The ornamental design for a washing machine, as shown and described.

DESCRIPTION

FIG. 1 is a front, right side, perspective view of a washing machine showing our new design;
FIG. 2 is a front view thereof;
FIG. 3 is a rear view thereof;
FIG. 4 is a left side view thereof;
FIG. 5 is a right side view thereof;
FIG. 6 is a top view thereof; and,
FIG. 7 is a bottom view thereof.

1 Claim, 7 Drawing Sheets

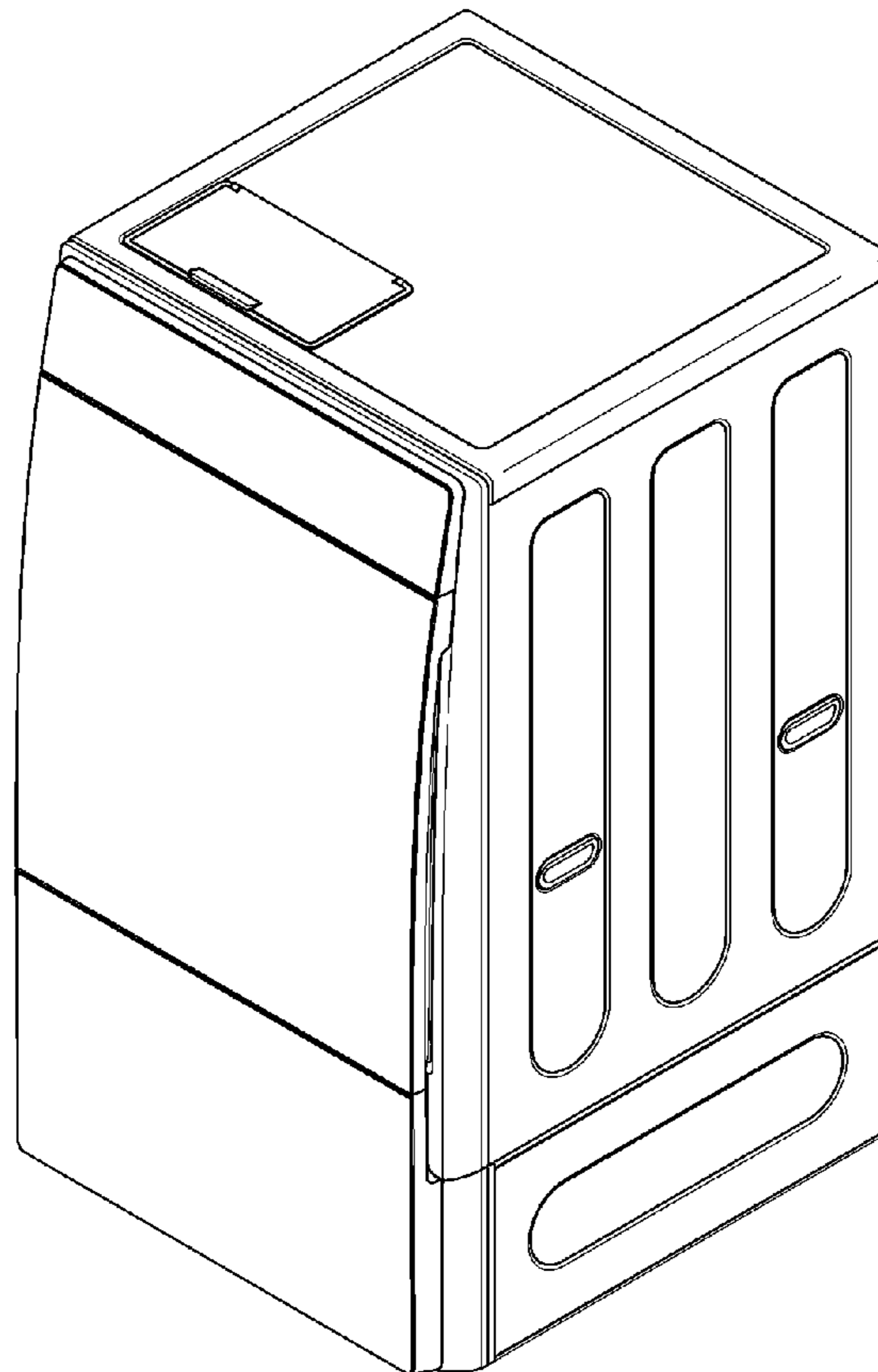


FIG. 1

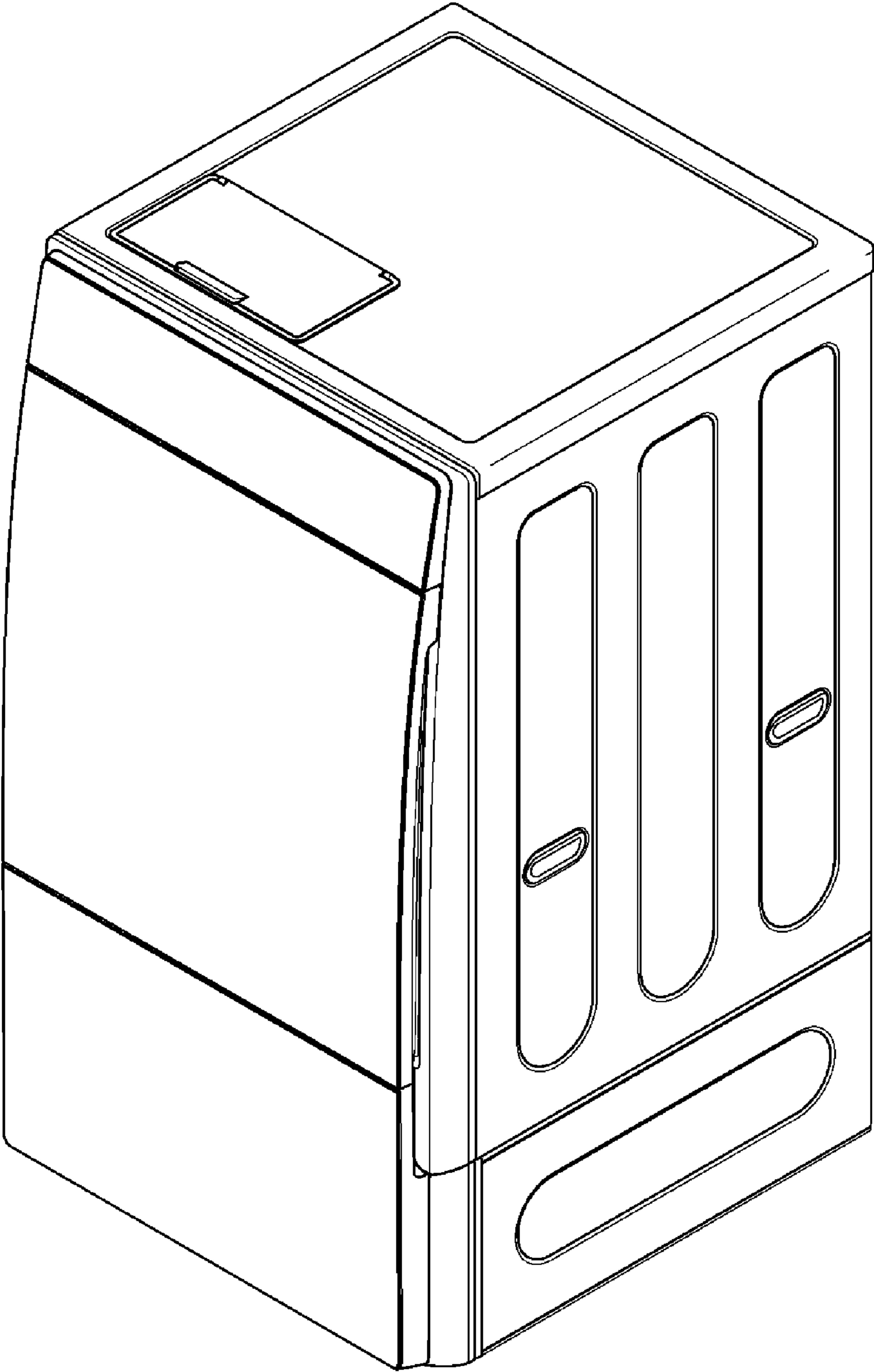


FIG. 2

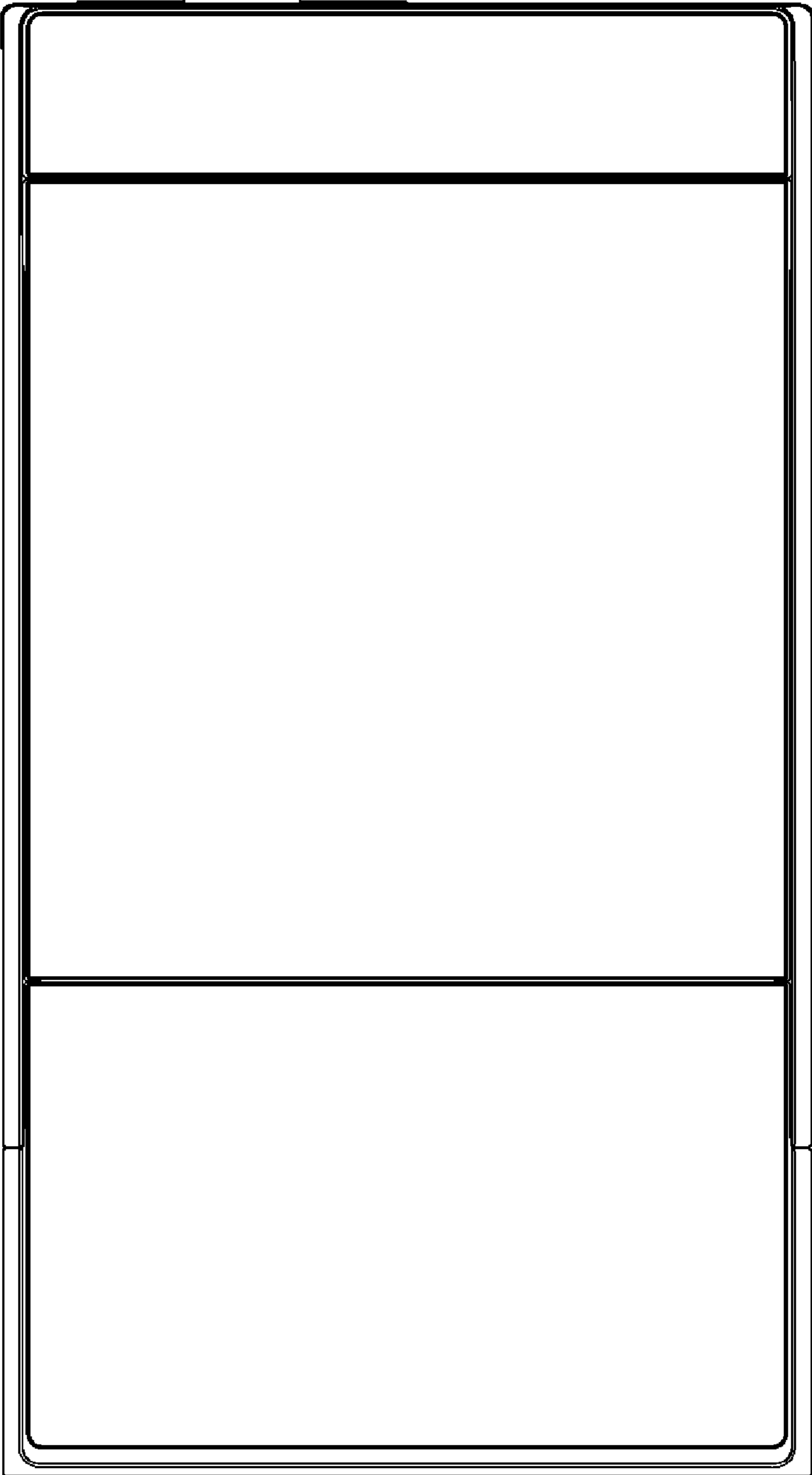


FIG. 3



FIG. 4

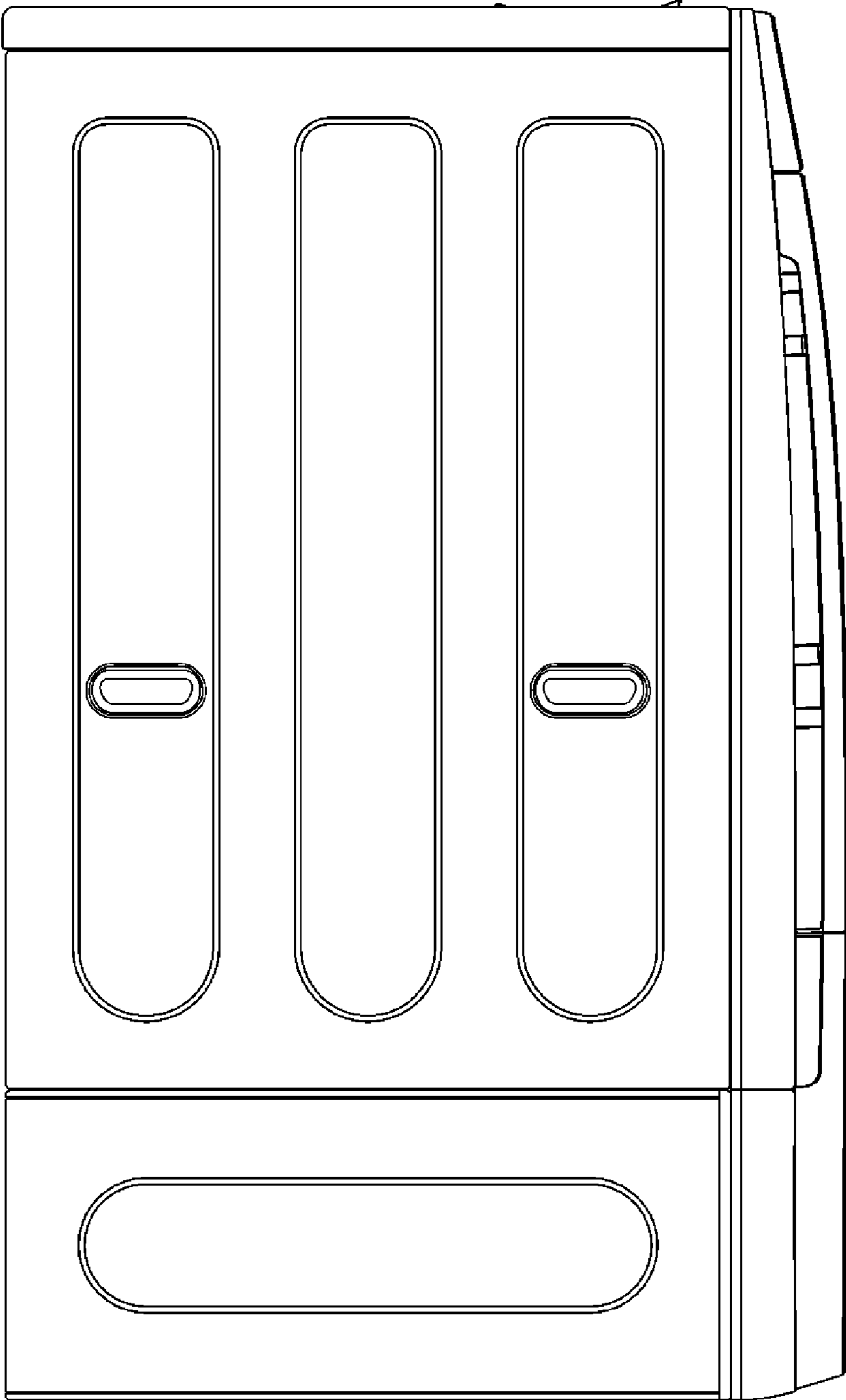


FIG. 5

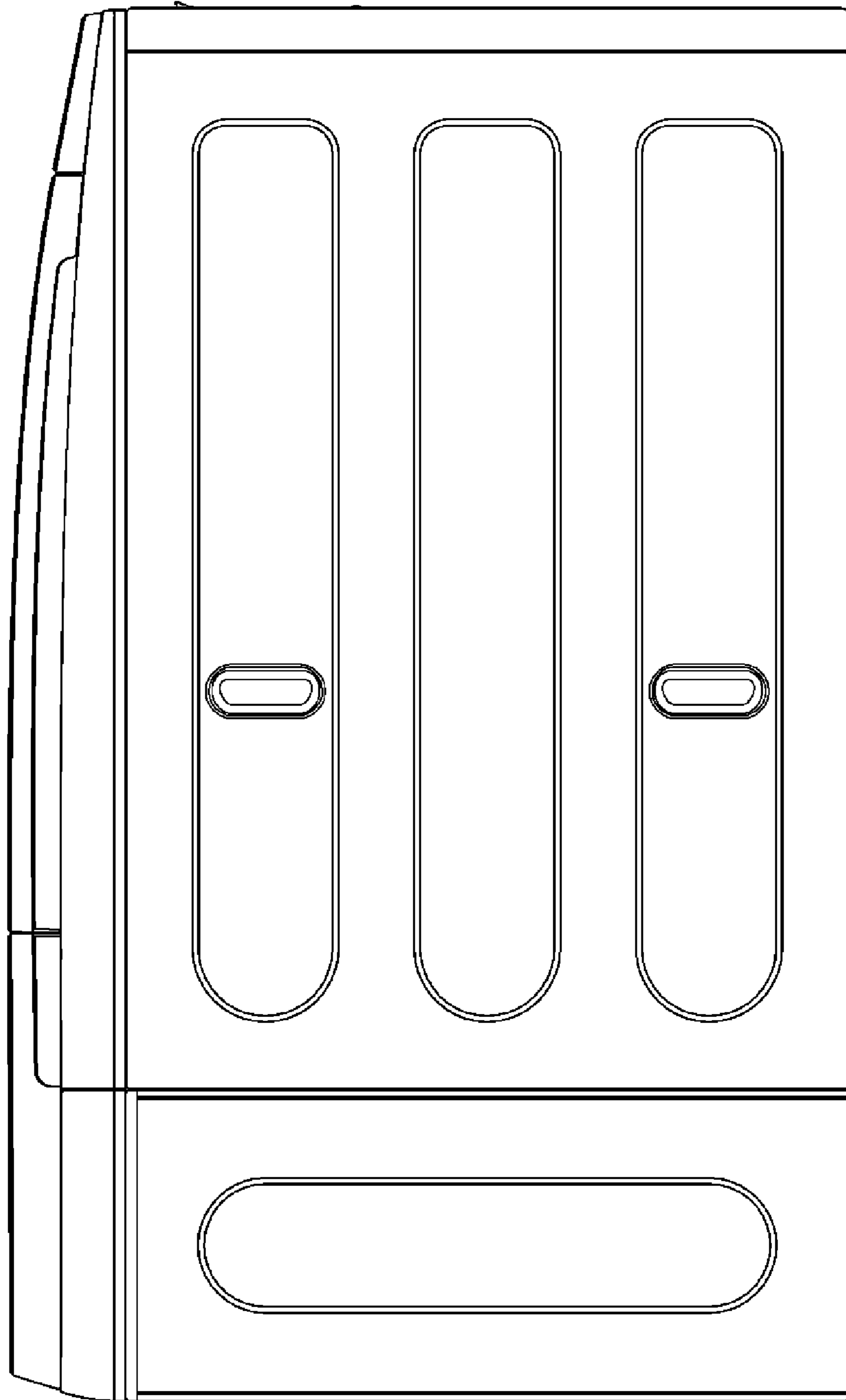


FIG. 6

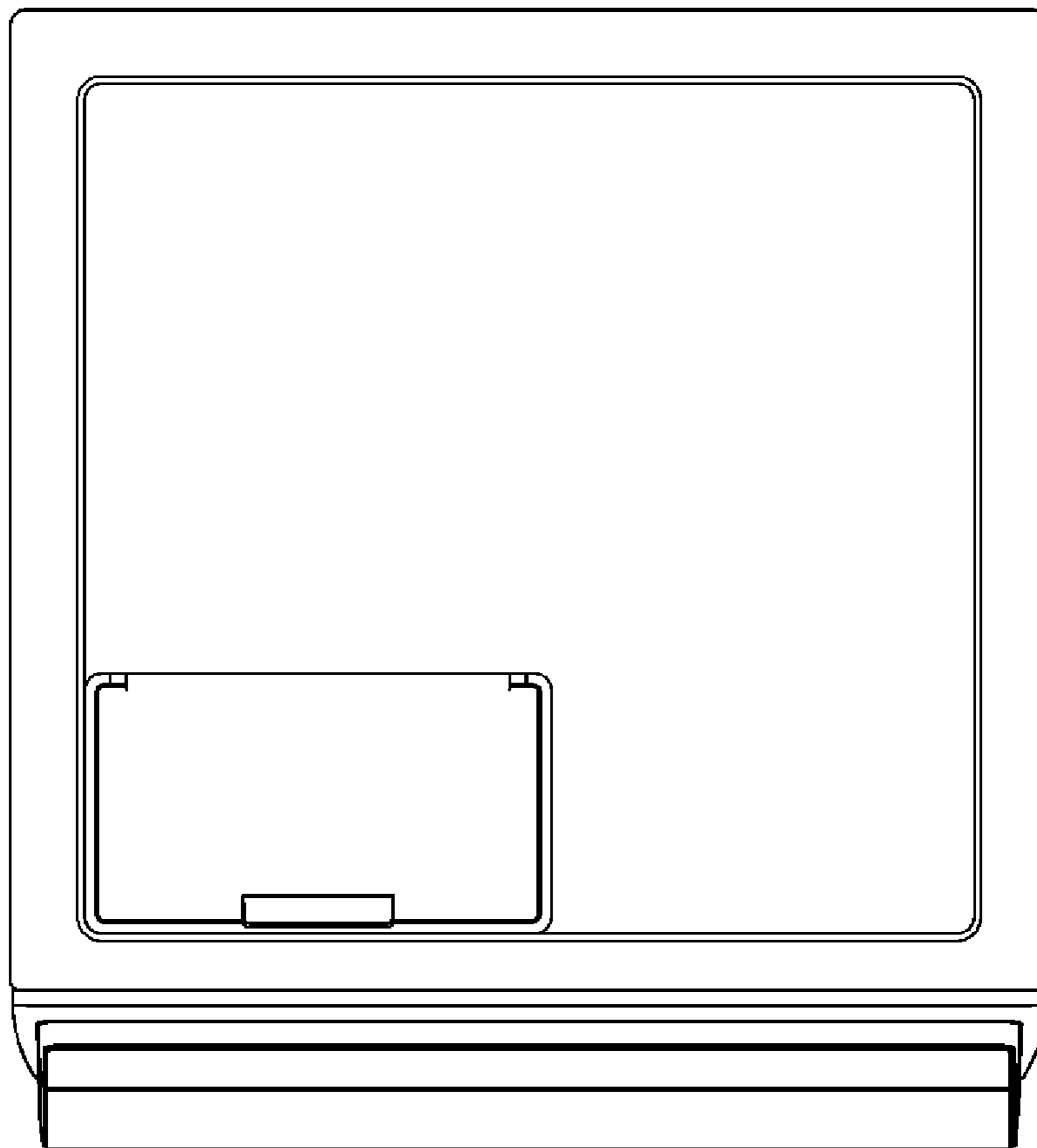


FIG. 7

