



US00D663906S

(12) **United States Design Patent**
Pallant

(10) **Patent No.:** **US D663,906 S**
(45) **Date of Patent:** **** Jul. 17, 2012**

(54) **COMBINATION DOG WASTE SCOOP AND DEODORIZER**

(76) Inventor: **John D. Pallant**, Brookville, PA (US)

(**) Term: **14 Years**

(21) Appl. No.: **29/405,248**

(22) Filed: **Oct. 31, 2011**

(51) **LOC (9) Cl.** **30-99**

(52) **U.S. Cl.** **D30/162**

(58) **Field of Classification Search** D30/161-162,
D30/199; D7/691-692; D8/14; 15/257.1,
15/257.2, 257.4, 257.7, 257.6; 209/418-419;
294/1.3, 1.4, 1.5, 99.1, 100

See application file for complete search history.

(56) **References Cited**

U.S. PATENT DOCUMENTS

2,609,557	A	9/1952	Reed	
3,778,097	A *	12/1973	Dorzan	294/1.4
3,804,448	A *	4/1974	Schmieler	294/1.4
4,003,595	A *	1/1977	Fano et al.	294/1.5
4,194,777	A	3/1980	Carns	
4,196,928	A *	4/1980	Spangler	294/1.4
4,316,627	A *	2/1982	Solya	294/1.4
D283,262	S *	4/1986	Kline	D30/162
4,641,873	A *	2/1987	Nurnberger	294/1.4
D316,315	S	4/1991	Elrod	
5,269,575	A *	12/1993	Parvaresh	294/1.5
5,335,952	A *	8/1994	Clapper	294/1.4
6,030,011	A *	2/2000	Layton	294/1.4

6,240,594	B1 *	6/2001	Demai et al.	15/257.2
6,478,351	B1 *	11/2002	Nelson	294/1.4
7,484,859	B1 *	2/2009	Burke	15/257.1
7,695,035	B2 *	4/2010	Sumner et al.	294/1.4

OTHER PUBLICATIONS

Precision Pet Little Stinker Heavy Duty Poop Scoop. PetFood Direct. [Retrieved on May 11, 2012]. Retrieved from the Internet: <URL: <http://www.petfooddirect.com/product/11705/Precision-Pet-Little-stinker-Heavy-Duty-Poop-Scoop>>.*

* cited by examiner

Primary Examiner — Wan Laymon

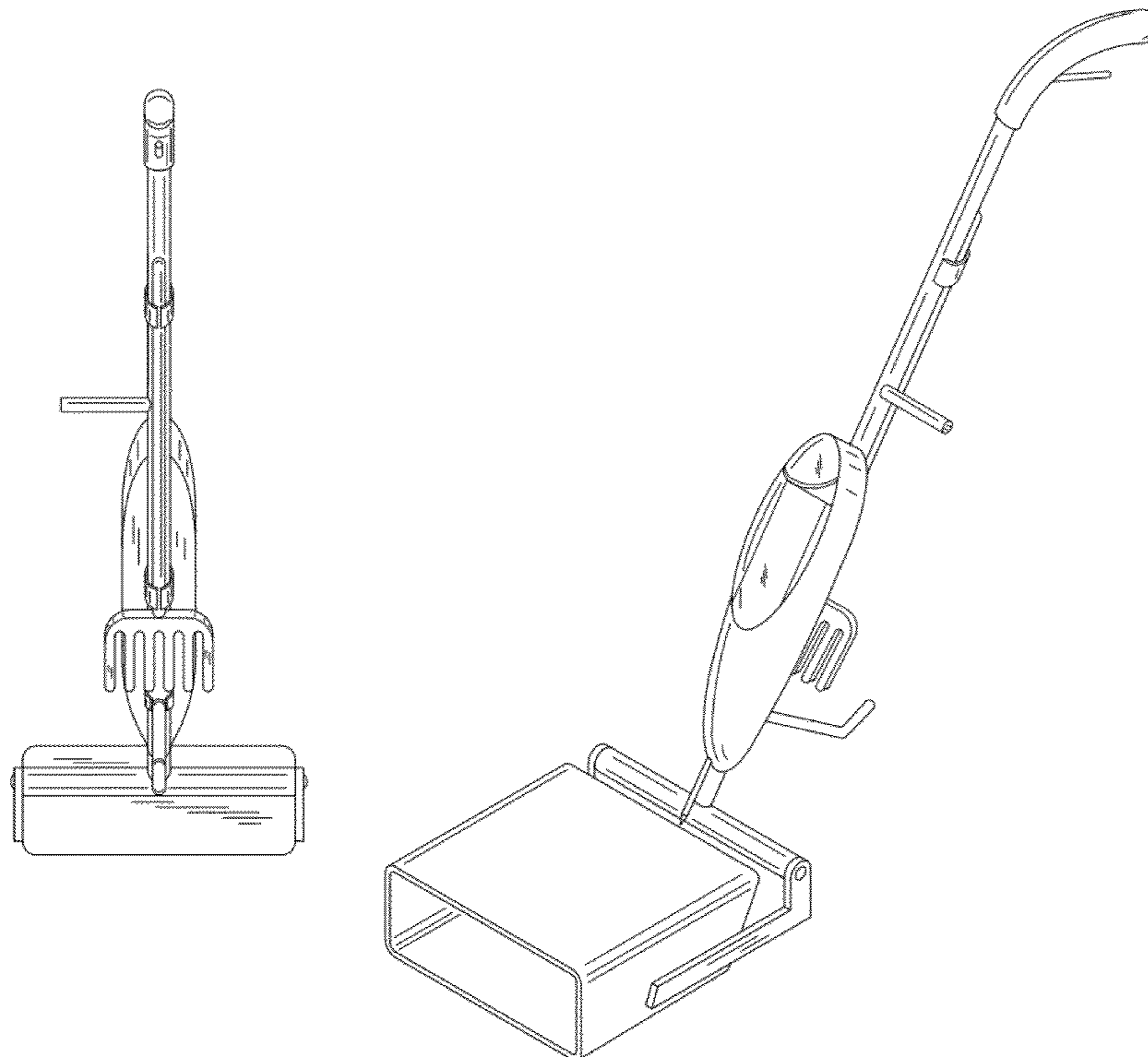
(57) **CLAIM**

The ornamental design for a combination dog waste scoop and deodorizer, as shown and described.

DESCRIPTION

FIG. 1 is a right elevation view of a combination dog waste scoop and deodorizer showing my new design; FIG. 2 is a left elevation view thereof; FIG. 3 is a front elevation view thereof; FIG. 4 is a rear elevation view thereof; FIG. 5 is a top plan view thereof; FIG. 6 is a bottom plan view thereof; and, FIG. 7 is an isometric view thereof.

1 Claim, 5 Drawing Sheets



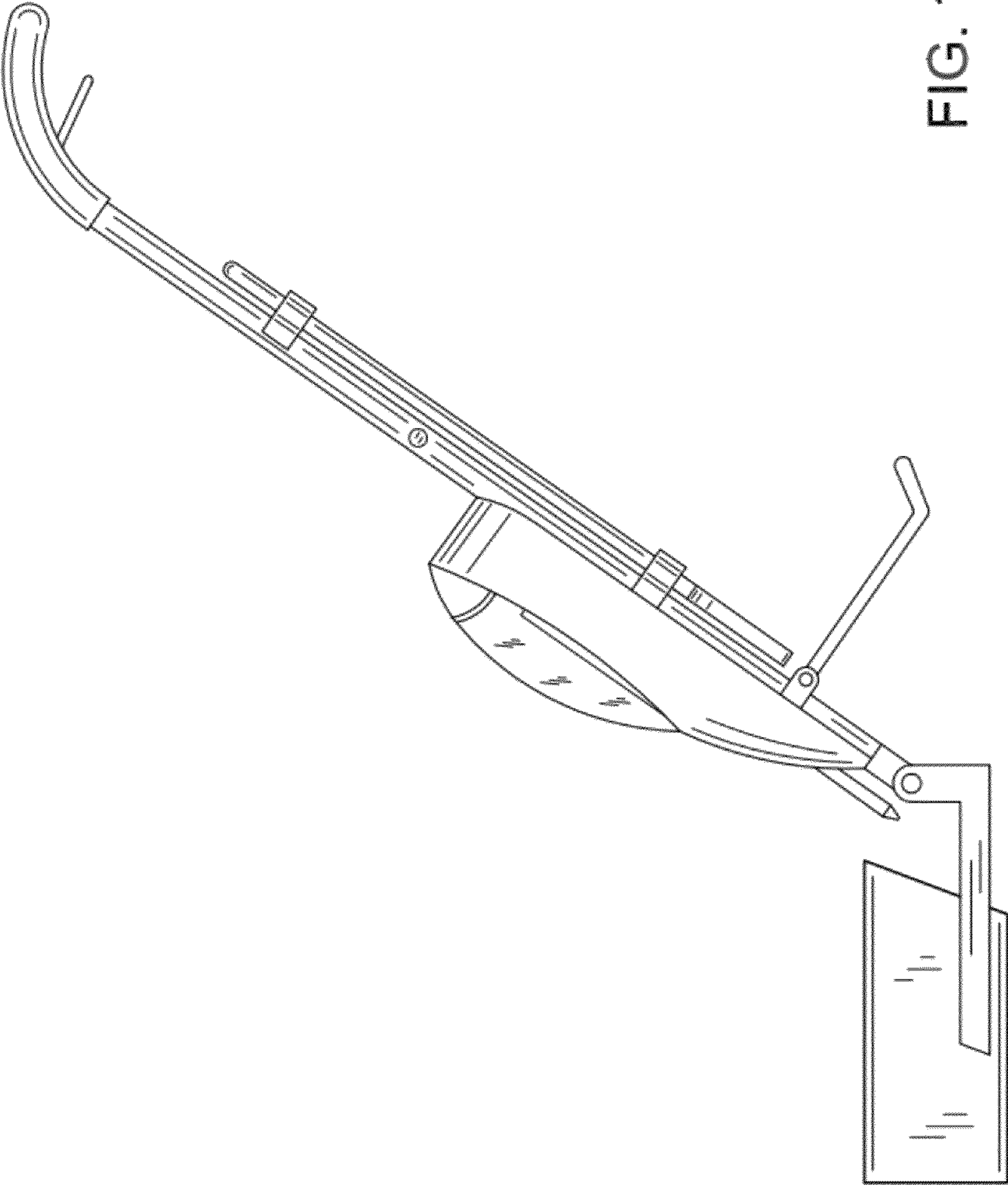


FIG. 1

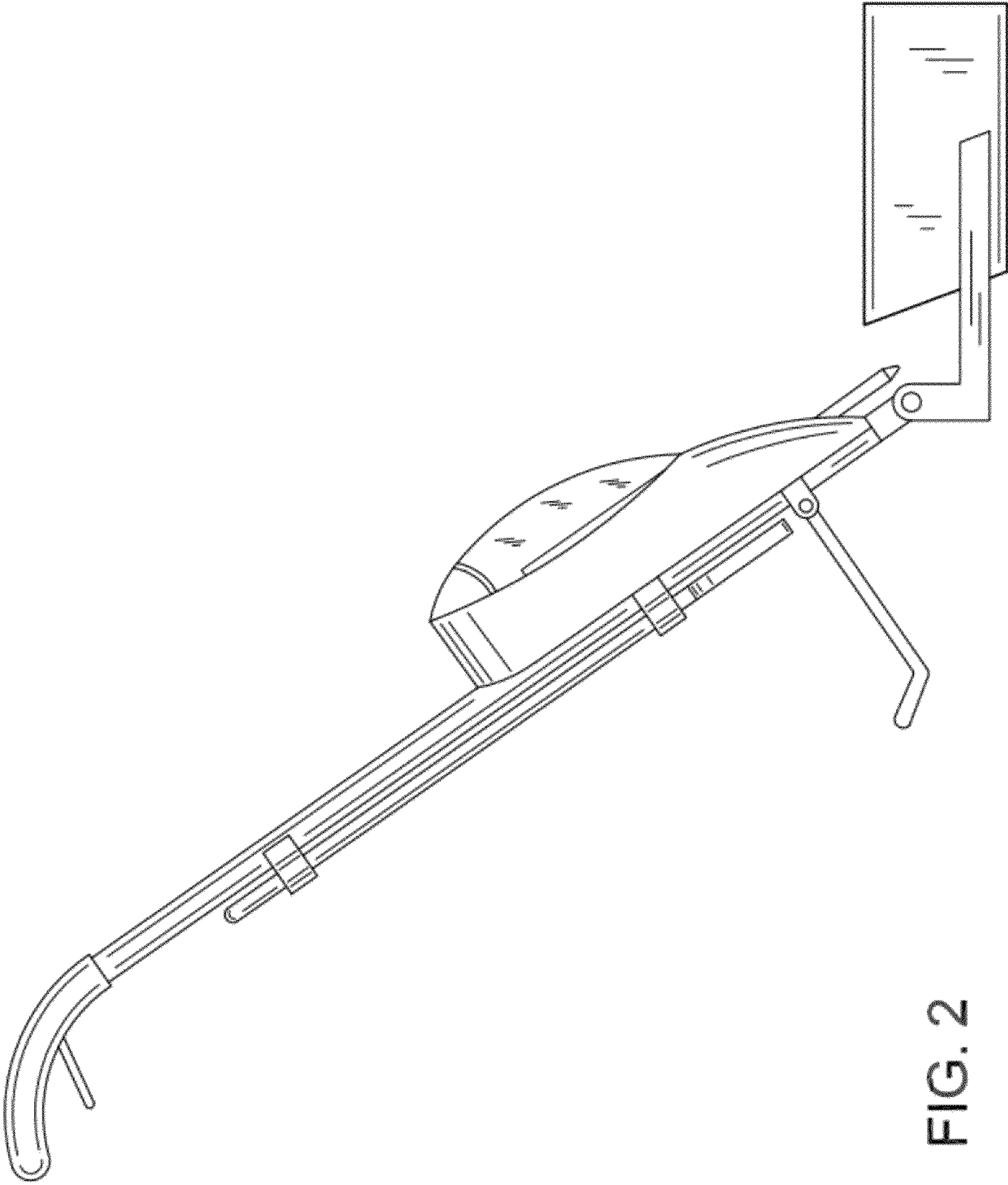


FIG. 2

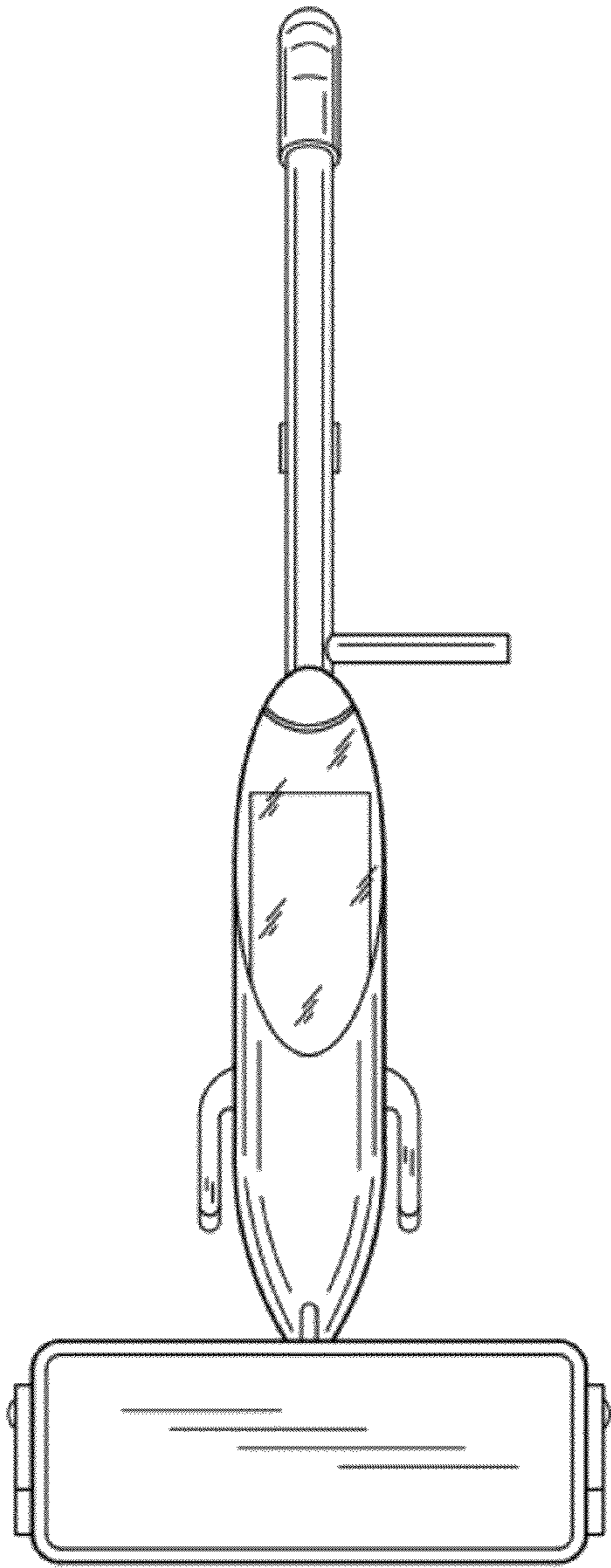


FIG. 3

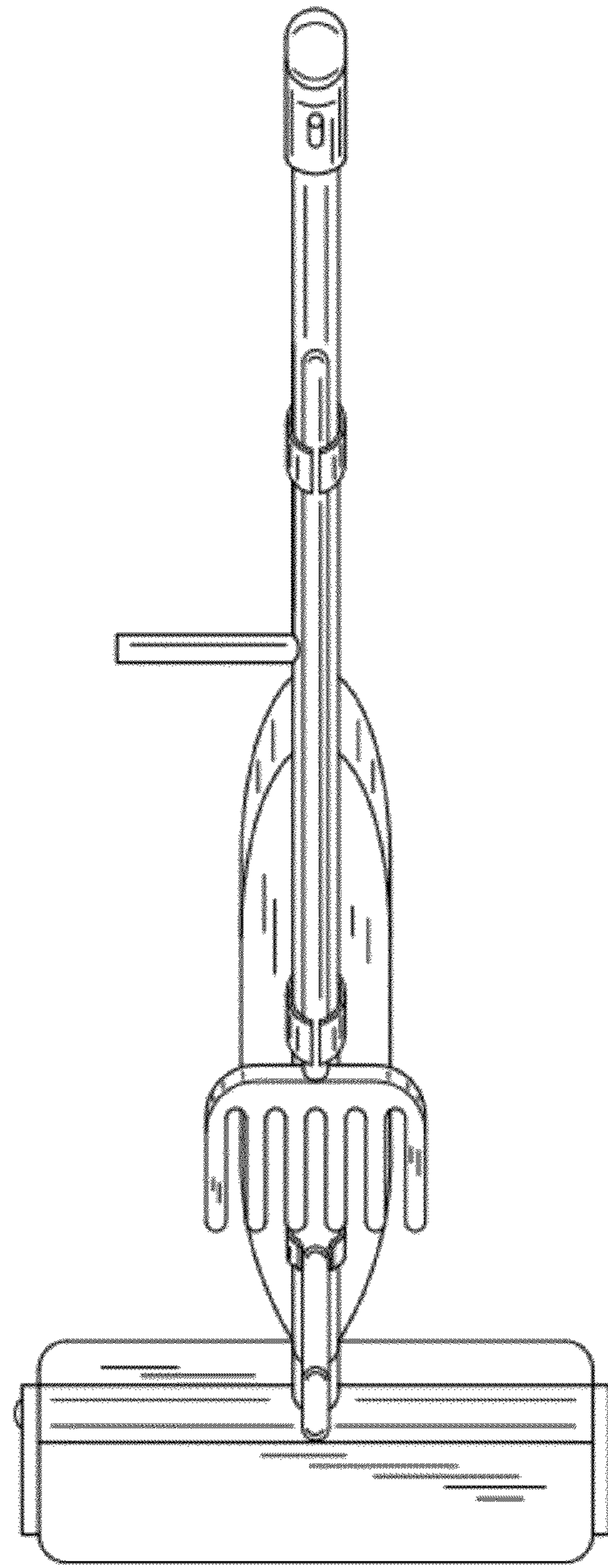
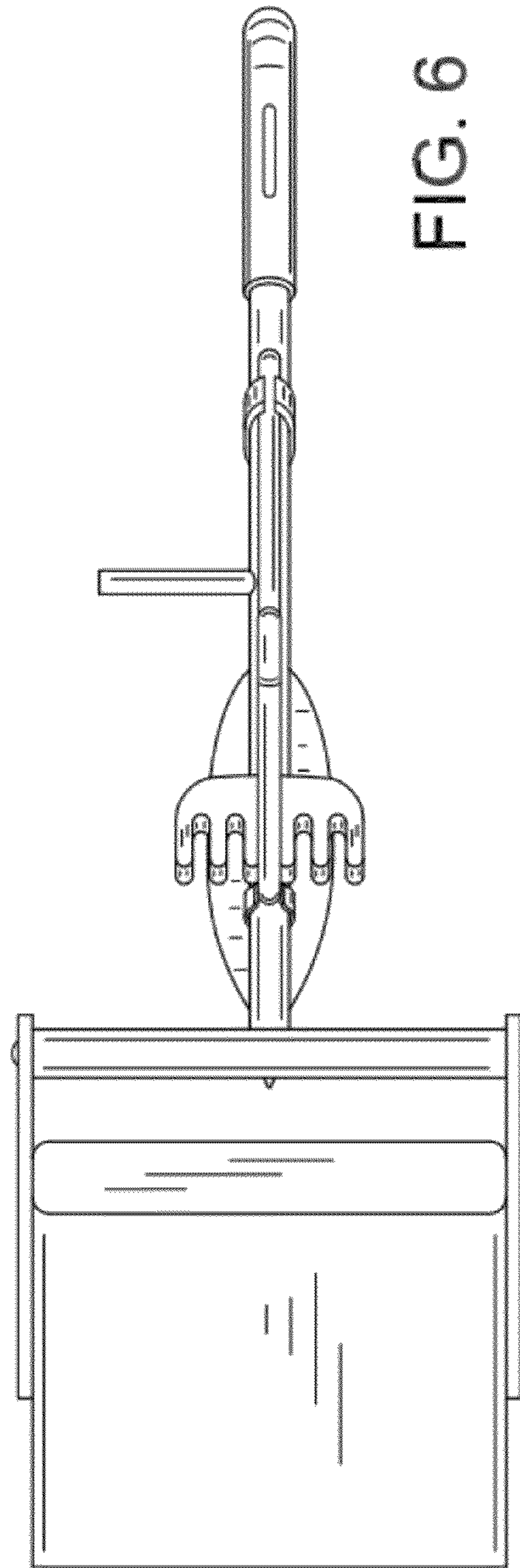
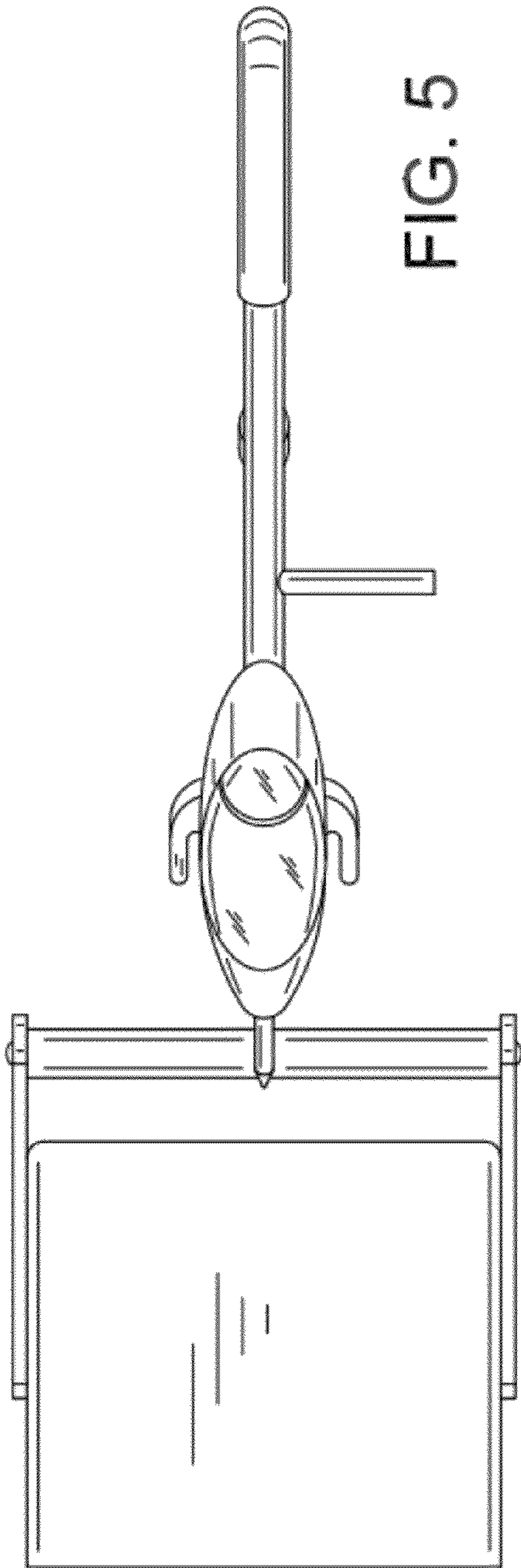


FIG. 4



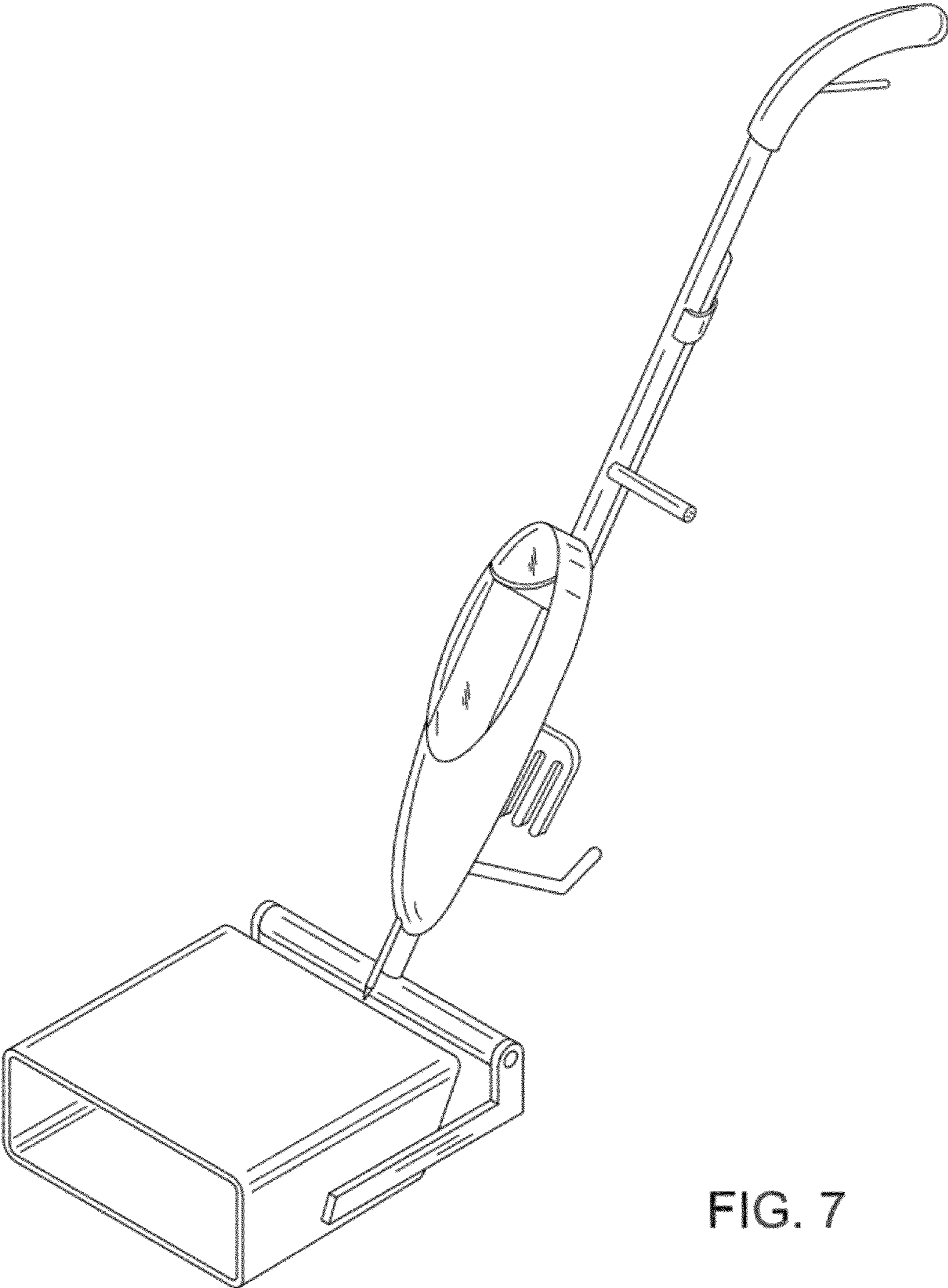


FIG. 7