



US00D663902S

(12) **United States Design Patent**
Karlsson et al.

(10) **Patent No.:** **US D663,902 S**
(45) **Date of Patent:** **** Jul. 17, 2012**

(54) **HEARING PROTECTOR HEADBAND**
(75) Inventors: **Robert Karlsson**, Bredaryd (SE); **Oskar Juhlin**, Gustavsberg (SE); **Martin Birath**, Lidingo (SE); **August Michael**, Enkede (SE); **Hans Nystrom**, Vallingby (SE)
(73) Assignee: **3M Innovative Properties Company**, St. Paul, MN (US)

6,724,906 B2 * 4/2004 Naksen et al. 381/379
D499,216 S * 11/2004 Haglund D29/122
D514,087 S * 1/2006 Wilson et al. D14/206
D517,045 S * 3/2006 Komiyama D14/205
D541,483 S 4/2007 Birgersson et al.
7,457,649 B1 * 11/2008 Wilson 455/575.2
D613,265 S 4/2010 Ponzio et al.
D616,865 S * 6/2010 Marchand et al. D14/205
D628,555 S * 12/2010 Ponzio et al. D14/205
D649,527 S * 11/2011 Lee et al. D14/205

(**) Term: **14 Years**
(21) Appl. No.: **29/398,960**
(22) Filed: **Aug. 8, 2011**

FOREIGN PATENT DOCUMENTS

CN 300901844 4/2009
CN 300905842 4/2009
JP 1365432 7/2009
WO WO D063286 3/2003

(51) **LOC (9) Cl.** **29-02**
(52) **U.S. Cl.** **D29/122; D14/205**
(58) **Field of Classification Search** D14/205,
D14/206, 223, 249; D29/112, 122; 2/209,
2/423, 409; 381/376, 377, 374, 378, 379,
381/380, 381, 370; 379/430, 431, 433; 128/864,
128/865, 866, 867; 455/90.3
See application file for complete search history.

* cited by examiner

Primary Examiner — Paula Greene
(74) *Attorney, Agent, or Firm* — Eric D. Levinson

(56) **References Cited**

U.S. PATENT DOCUMENTS

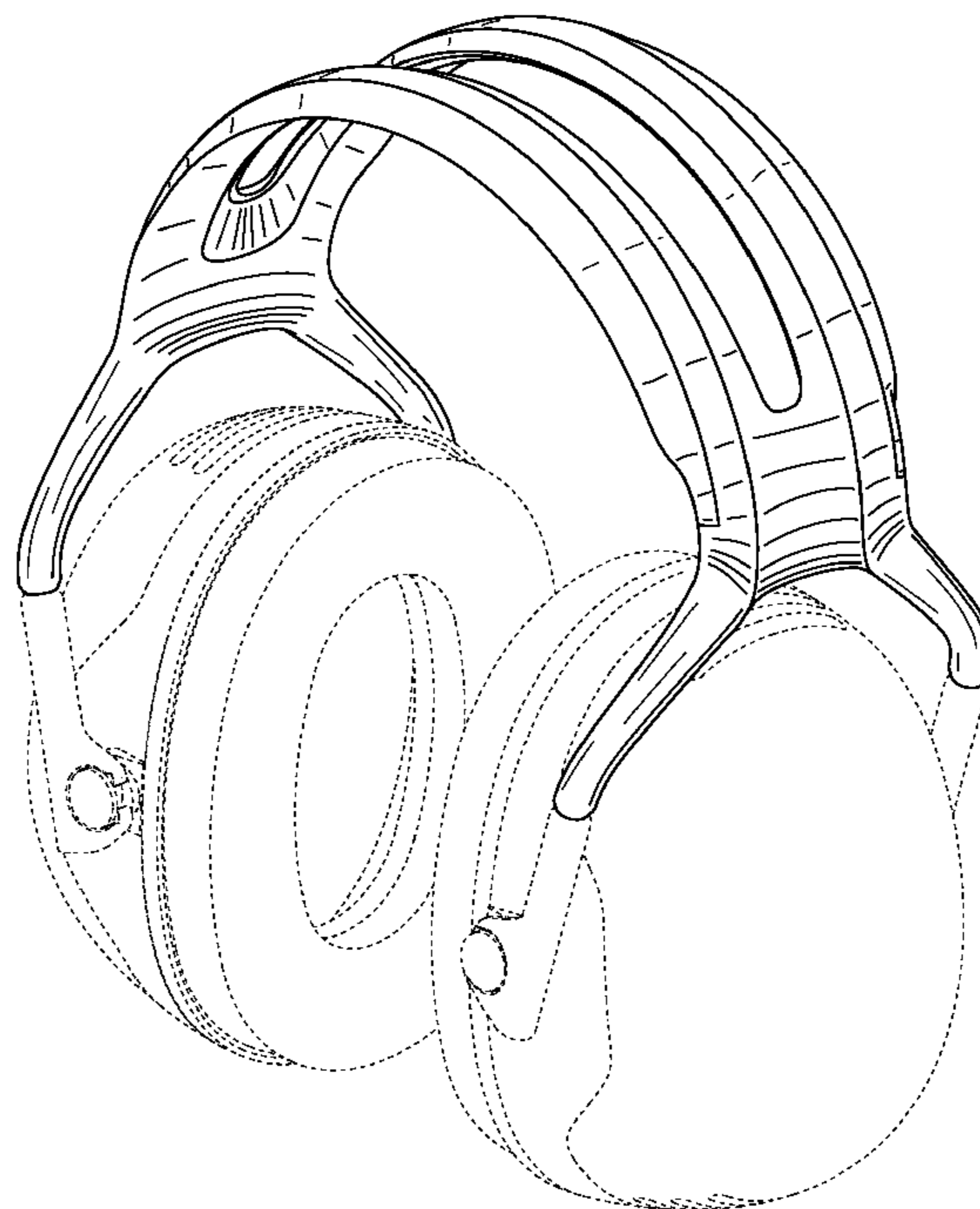
D337,115 S * 7/1993 Yamazaki et al. D14/205
D373,360 S * 9/1996 Kanno D14/205
D410,466 S * 6/1999 Mouri D14/205
D420,356 S * 2/2000 Suzuki D14/205
D449,034 S * 10/2001 Weikel et al. D14/205
D456,379 S * 4/2002 Fitzgerald D14/142
D458,248 S * 6/2002 Davies et al. D14/206
D464,469 S * 10/2002 Dix et al. D29/112
D476,639 S * 7/2003 Bergeron et al. D14/205

(57) **CLAIM**
The ornamental design for a hearing protector headband, as shown and described.

DESCRIPTION

FIG. 1 is a perspective view showing a new design for a hearing protector headband;
FIG. 2 is a front view thereof, the rear view being a mirror image;
FIG. 3 is a right side view thereof, the left side view being a mirror image;
FIG. 4 is a top view thereof; and,
FIG. 5 is a bottom view thereof.
Portions of the drawings shown in broken lines form no part of the claimed design.

1 Claim, 4 Drawing Sheets



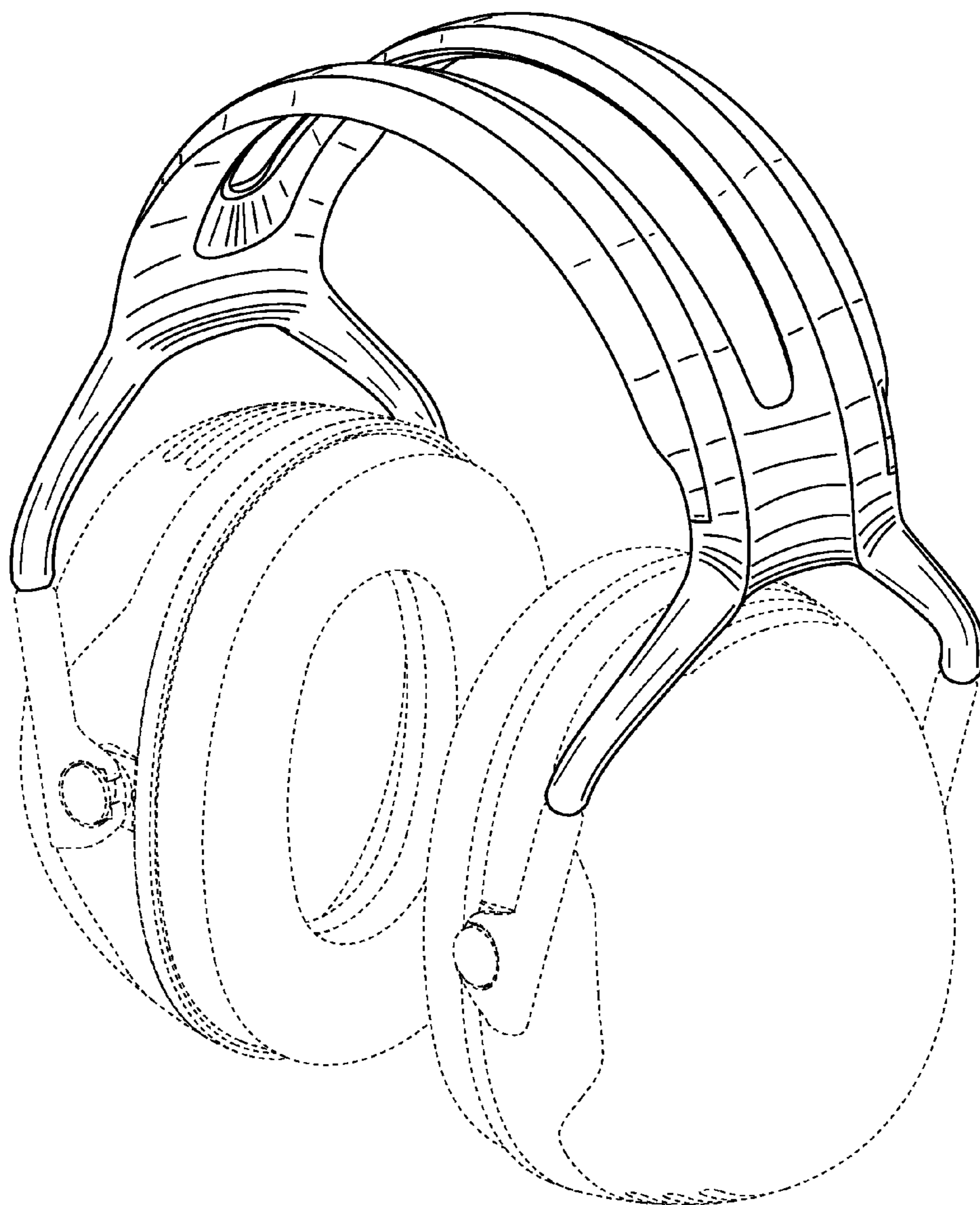


FIG. 1

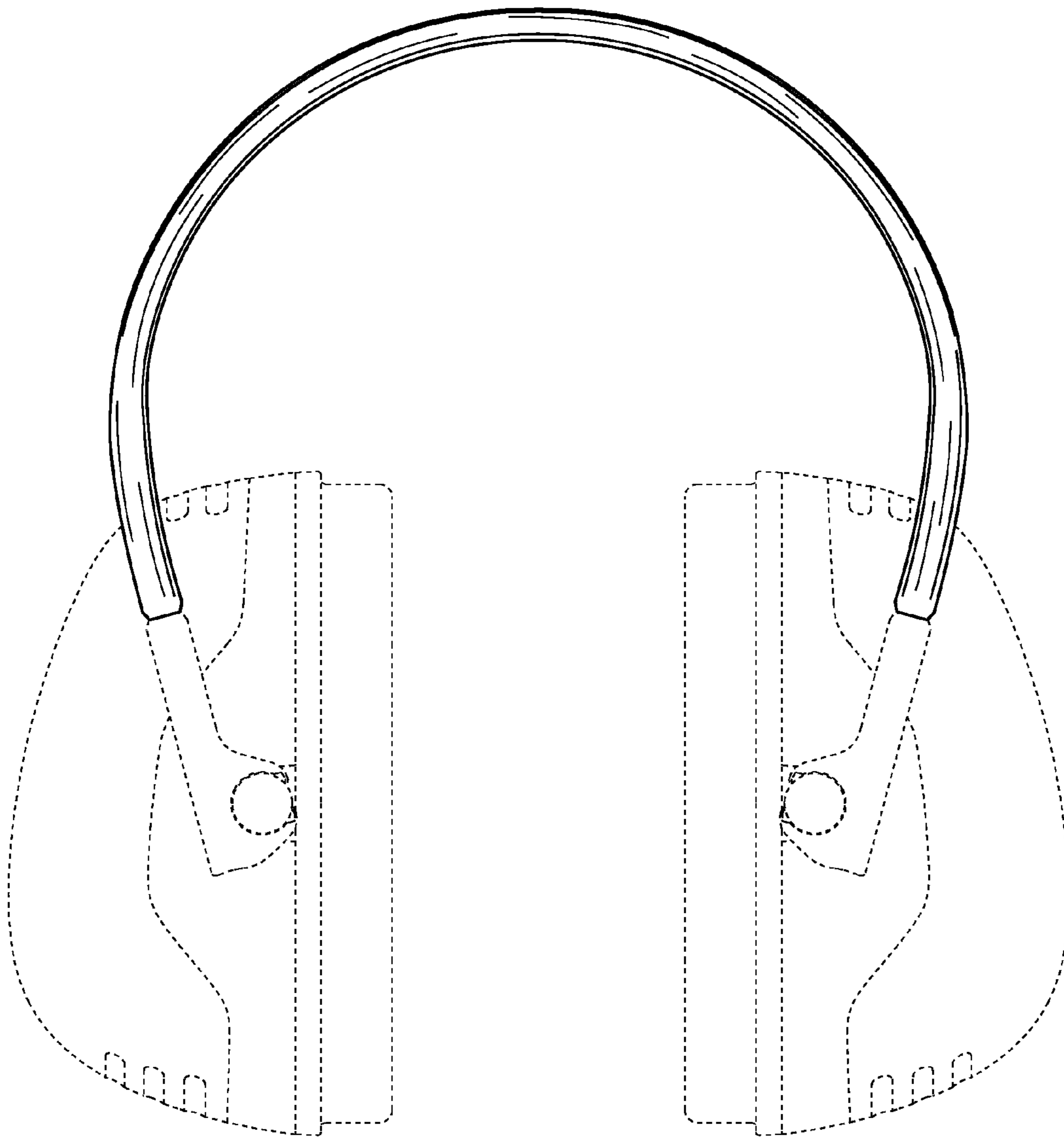


FIG. 2

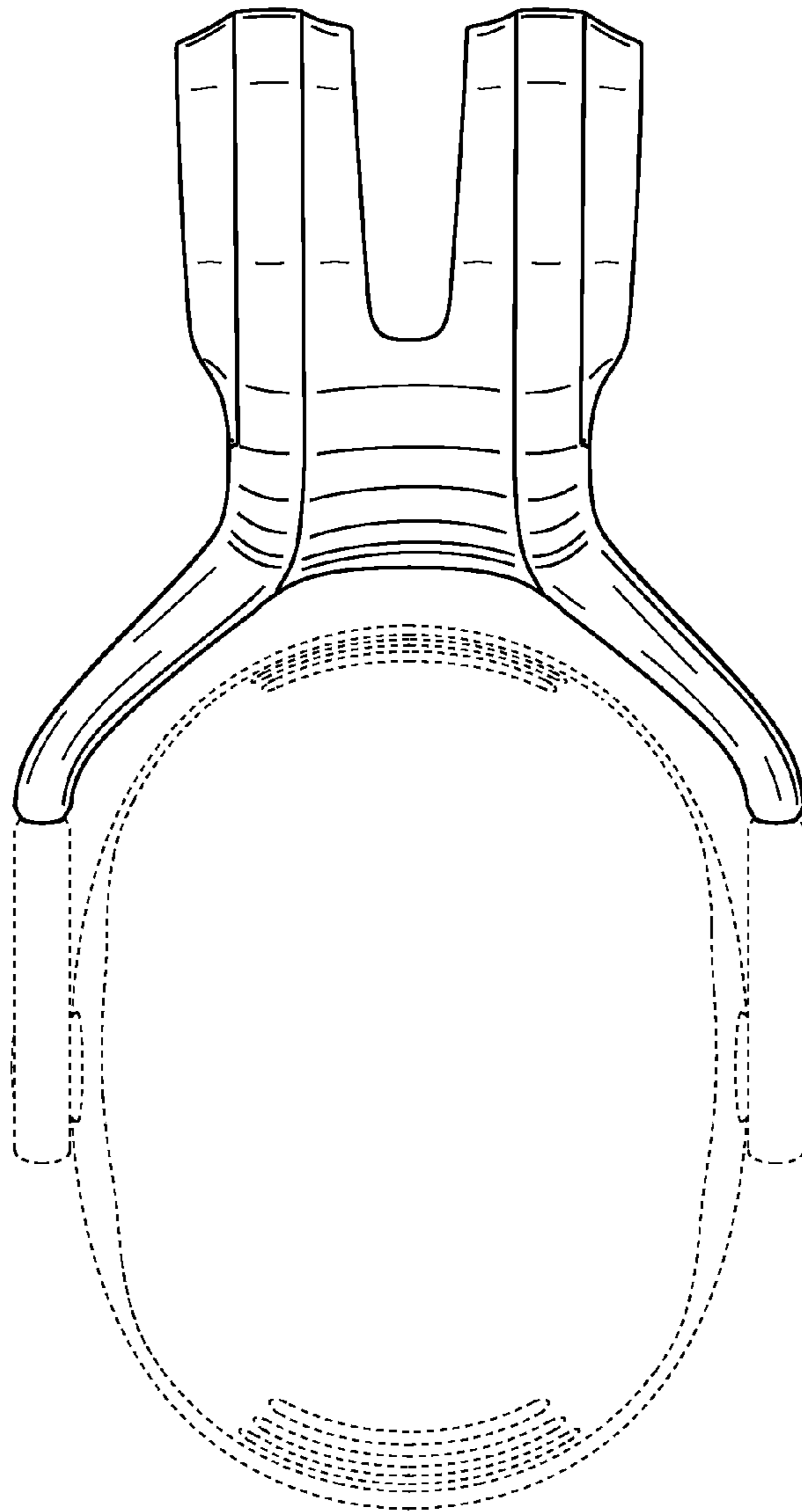


FIG. 3

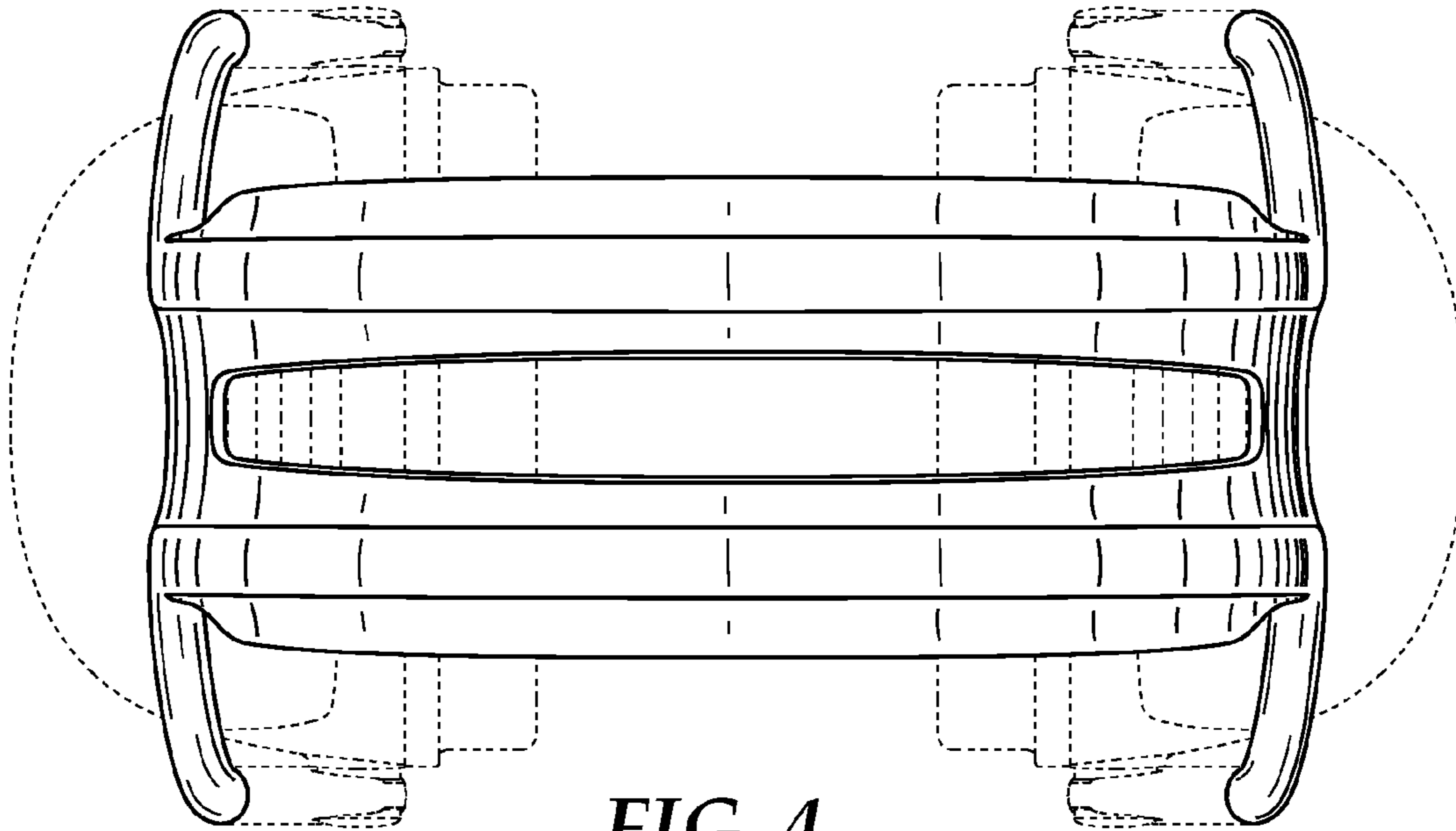


FIG. 4

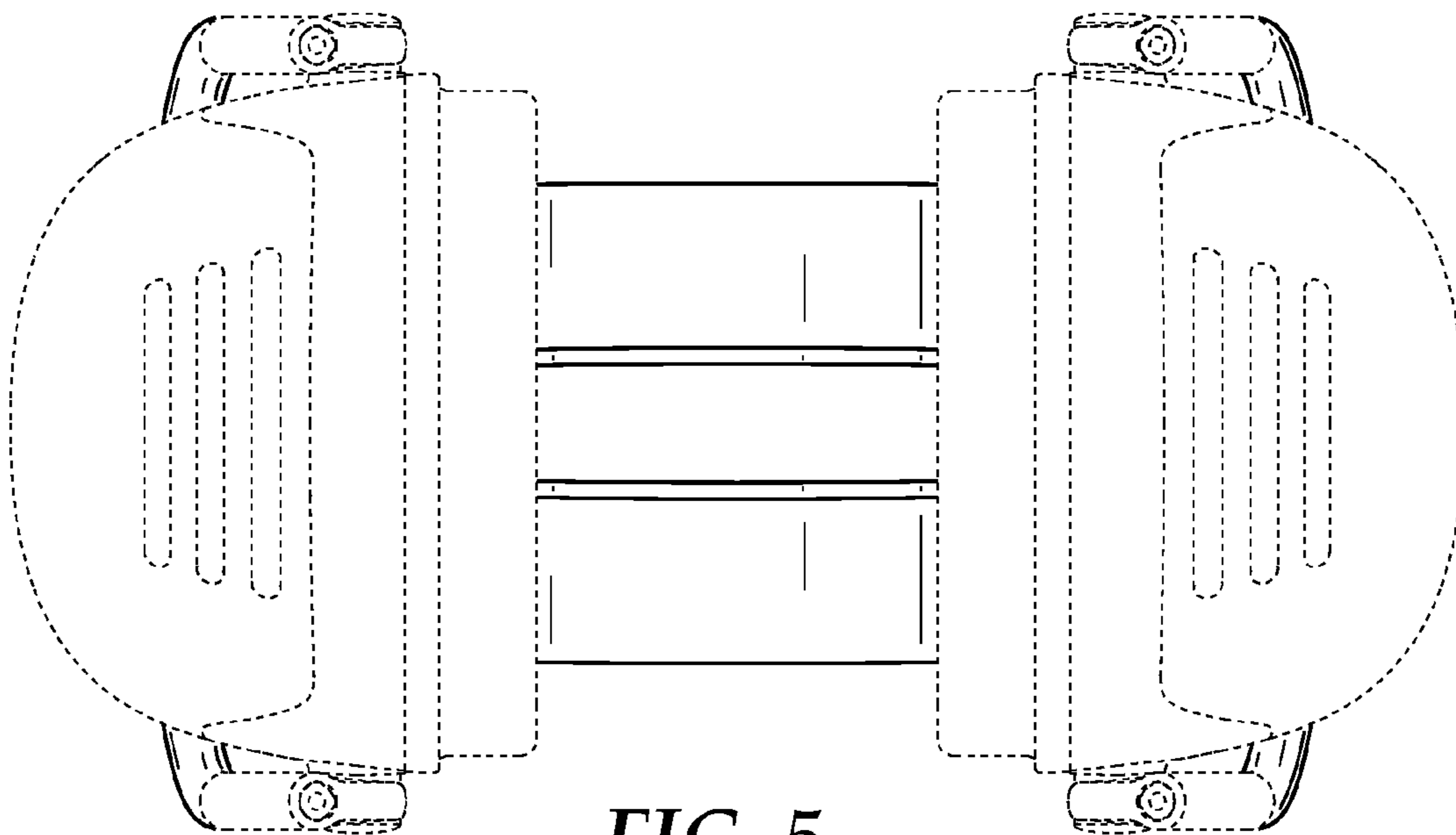


FIG. 5

UNITED STATES PATENT AND TRADEMARK OFFICE
CERTIFICATE OF CORRECTION

PATENT NO. : D663,902 S
APPLICATION NO. : 29/398960
DATED : July 17, 2012
INVENTOR(S) : Robert Karlsson

Page 1 of 1

It is certified that error appears in the above-identified patent and that said Letters Patent is hereby corrected as shown below:

Cover Page, item [30] Foreign Application Priority Data should be inserted:

--Foreign Priority Data, Feb. 23, 2011 (EM) 1262000--

Signed and Sealed this
Fourth Day of September, 2012



David J. Kappos
Director of the United States Patent and Trademark Office