



US00D663900S

(12) **United States Design Patent**  
**Karlsson et al.**

(10) **Patent No.:** **US D663,900 S**  
(45) **Date of Patent:** **\*\* Jul. 17, 2012**

(54) **HEARING PROTECTOR EAR CUPS**  
(75) Inventors: **Robert Karlsson**, Bredaryd (SE); **Oskar Juhlin**, Gustavsberg (SE); **Martin Birath**, Lidingo (SE); **August Michael**, Enkede (SE); **Hans Nystrom**, Vallingby (SE)  
(73) Assignee: **3M Innovative Properties Company**, St. Paul, MN (US)

(\*\*) Term: **14 Years**  
(21) Appl. No.: **29/399,751**  
(22) Filed: **Aug. 18, 2011**

(30) **Foreign Application Priority Data**  
Feb. 23, 2011 (EM) ..... 1262034  
(51) **LOC (9) Cl.** ..... **29-02**  
(52) **U.S. Cl.** ..... **D29/112**  
(58) **Field of Classification Search** ..... D29/100,  
D29/101.1, 102, 103, 105, 106, 108, 112,  
D29/122; D14/205, 206, 223; 2/9, 209,  
2/410, 423, 449, 455; 351/122, 123; 181/128,  
181/129; 128/864, 866  
See application file for complete search history.

(56) **References Cited**  
**U.S. PATENT DOCUMENTS**  
3,051,961 A \* 9/1962 Clark ..... 2/209  
D206,256 S \* 11/1966 Boyer ..... D29/112  
4,571,746 A \* 2/1986 Gorike ..... 2/209  
D298,670 S \* 11/1988 Palmaer ..... D29/112  
D385,665 S \* 10/1997 Westerdal ..... D29/112  
D388,552 S \* 12/1997 Weaver ..... D29/112  
D399,607 S \* 10/1998 Davis ..... D29/112  
D465,616 S 11/2002 Nilsson  
D545,001 S \* 6/2007 Le Gette et al. .... D29/122

D590,547 S \* 4/2009 Brace et al. .... D29/122  
D590,548 S \* 4/2009 Johnson et al. .... D29/122  
D597,709 S \* 8/2009 Juhlin ..... D29/122  
D604,911 S \* 11/2009 Juhlin ..... D29/122  
D606,969 S \* 12/2009 Semcken ..... D14/205  
D606,970 S \* 12/2009 Semcken ..... D14/205  
D616,155 S \* 5/2010 Juhlin ..... D29/122  
D617,770 S \* 6/2010 Sanguinetti et al. .... D14/205  
D638,586 S \* 5/2011 Aaskov et al. .... D29/122  
D644,199 S \* 8/2011 Sugiyama ..... D14/205  
D651,764 S \* 1/2012 Gresko et al. .... D29/112

**FOREIGN PATENT DOCUMENTS**

CN 3632608 4/2007  
CN 300699804 10/2007  
CN 300909834 4/2009  
GB 2103862 8/2002  
GB 2103863 8/2002  
JP 1192555 12/2003

\* cited by examiner

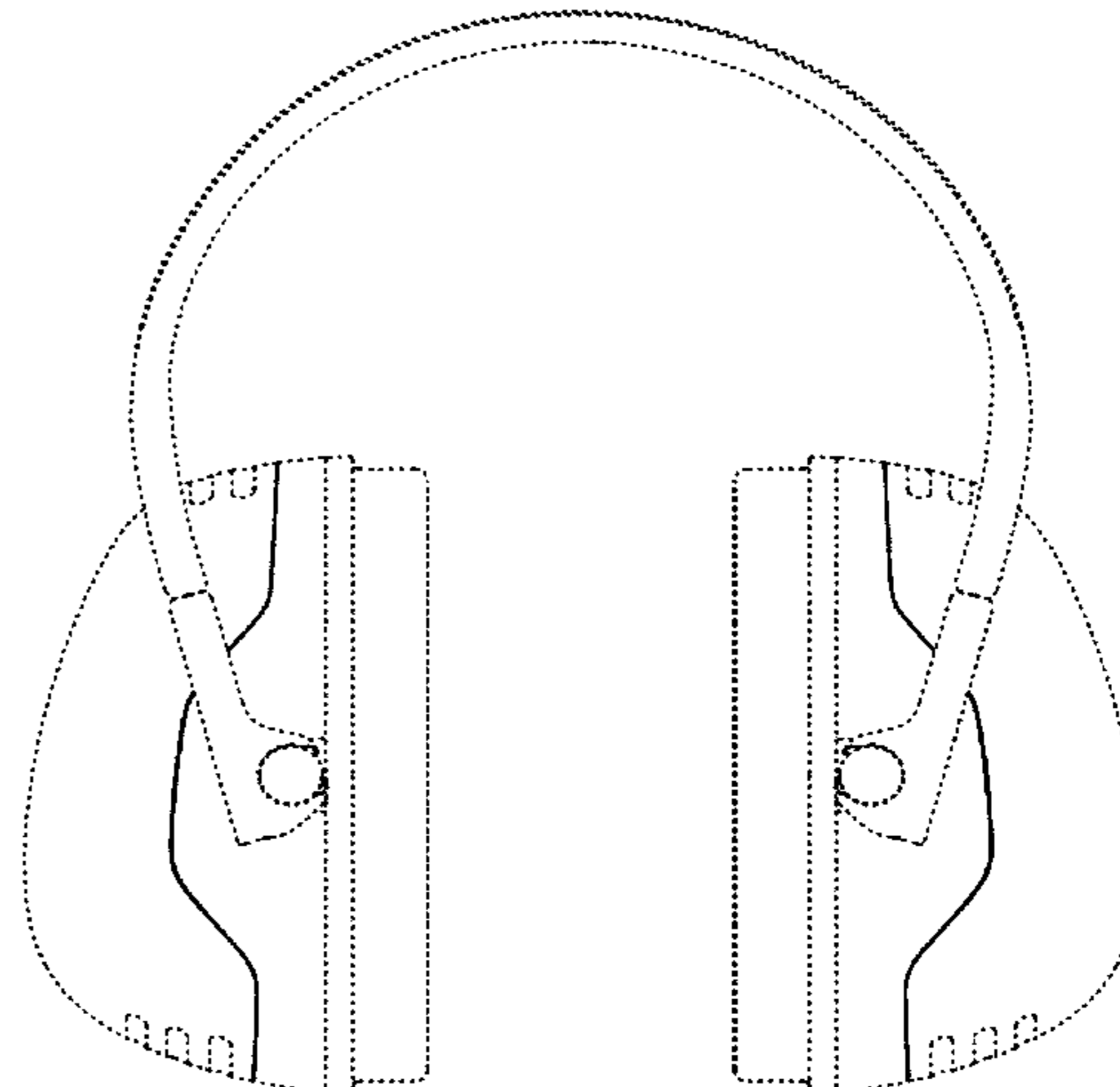
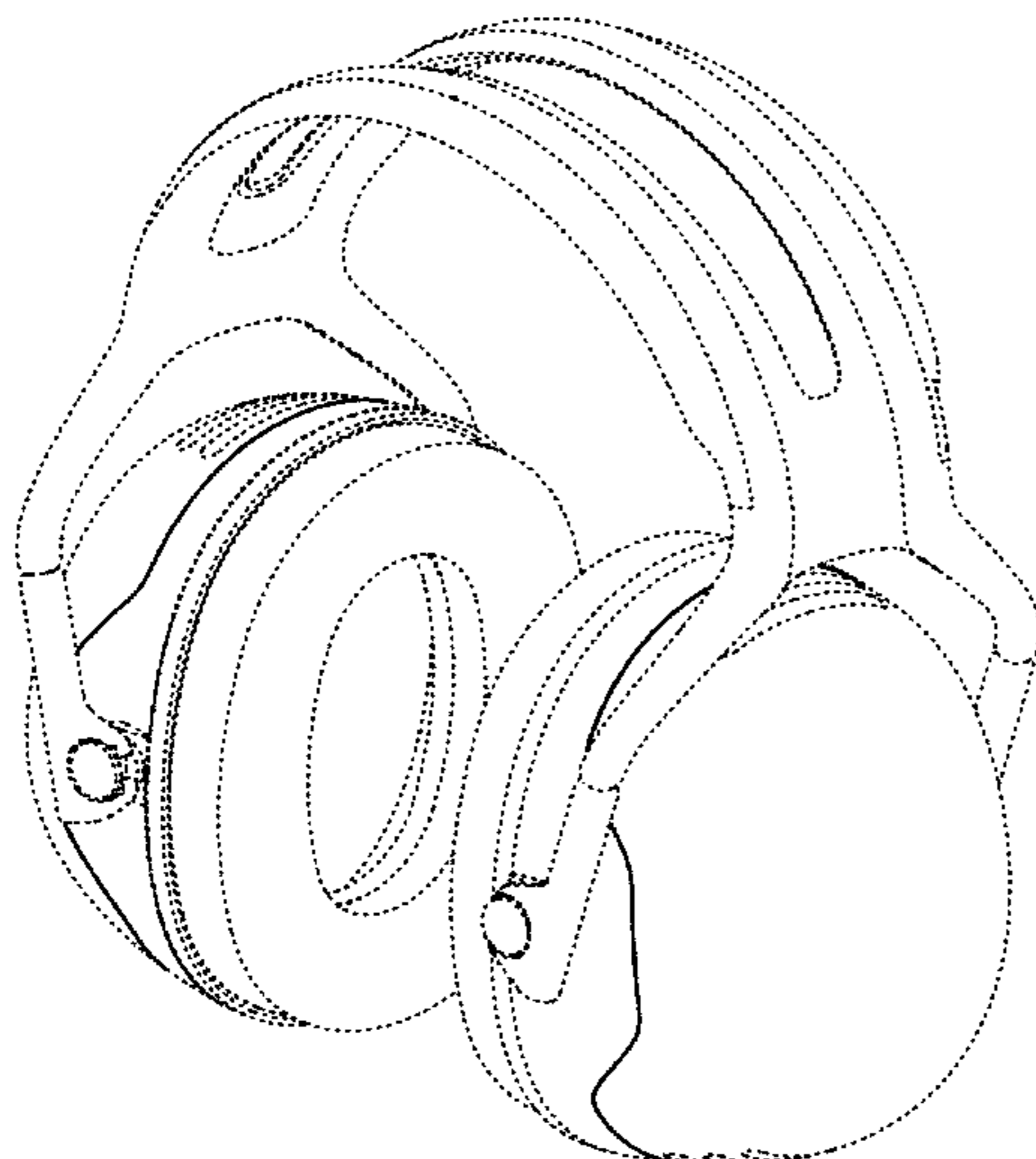
*Primary Examiner* — Elizabeth J Oswecki  
(74) *Attorney, Agent, or Firm* — Eric D. Levinson

(57) **CLAIM**  
The ornamental design for hearing protector ear cups, as shown and described.

**DESCRIPTION**

FIG. 1 is a perspective view of hearing protector ear cups showing our new design;  
FIG. 2 is a front view thereof, the rear view being a mirror image;  
FIG. 3 is a right side view thereof, the left side view being a mirror image;  
FIG. 4 is a top view thereof; and,  
FIG. 5 is a bottom view thereof.  
Portions of the drawings shown in broken lines form no part of the claimed design.

**1 Claim, 4 Drawing Sheets**



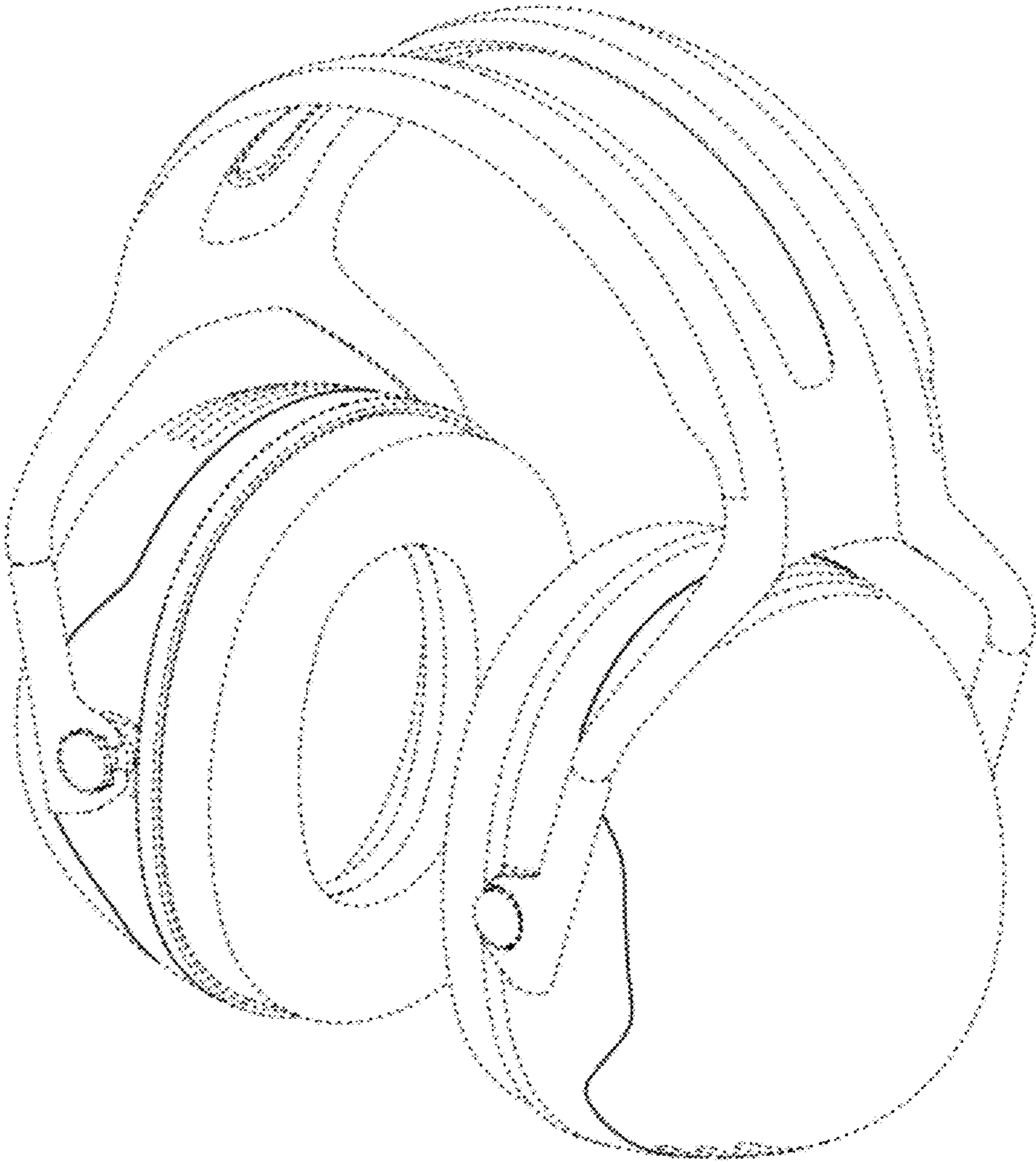


FIG. 1

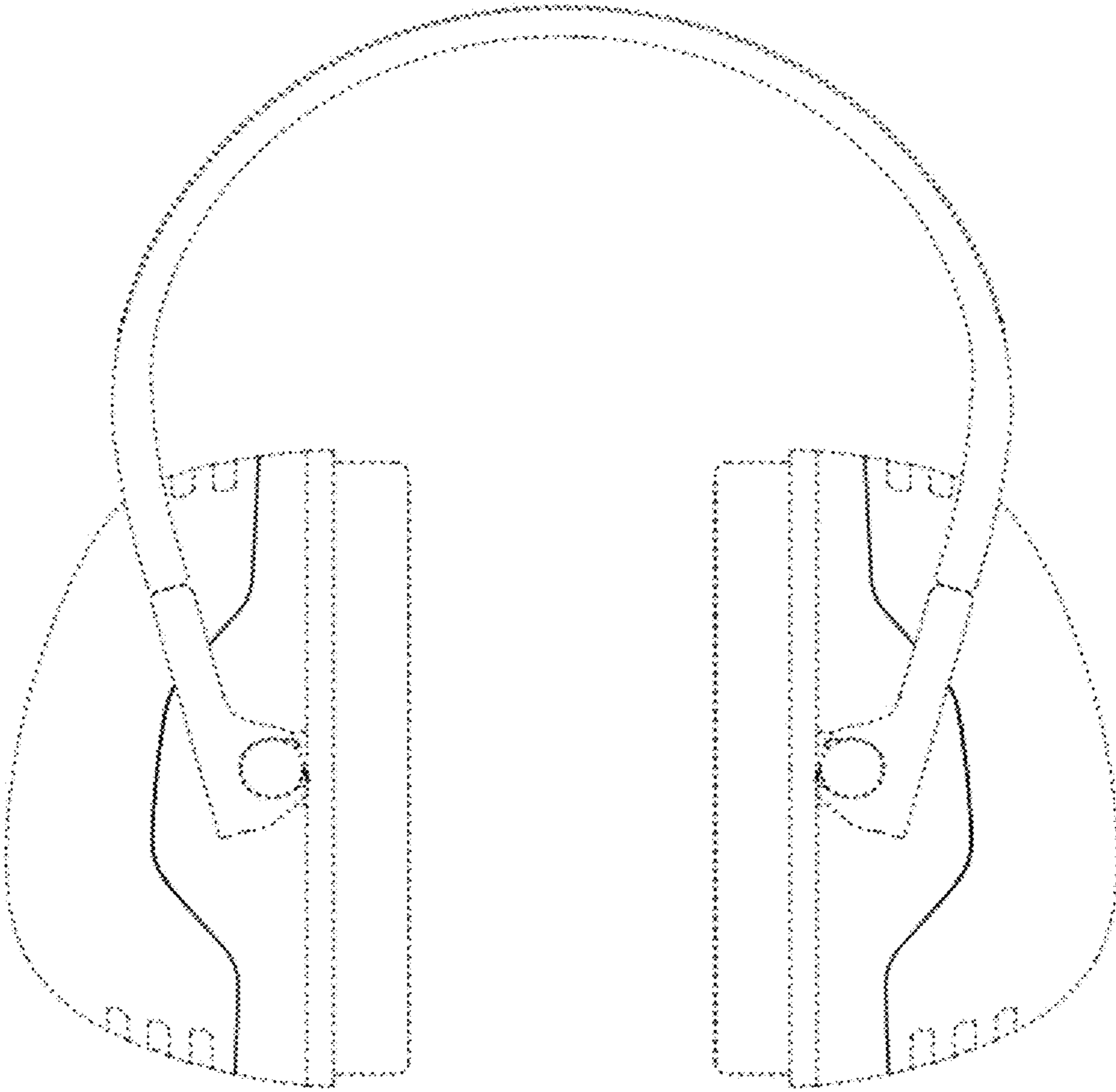
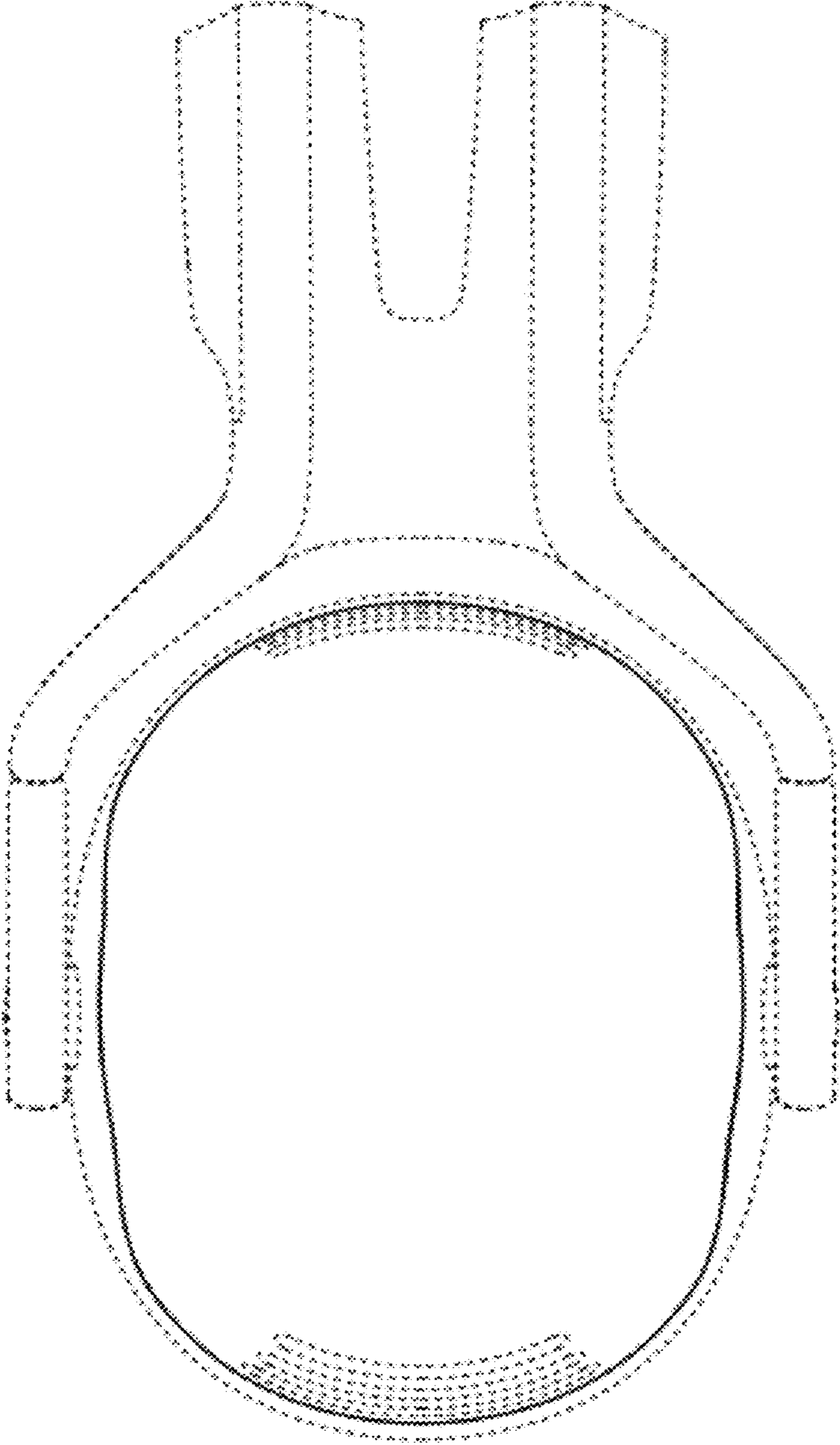


FIG. 2



**FIG. 3**

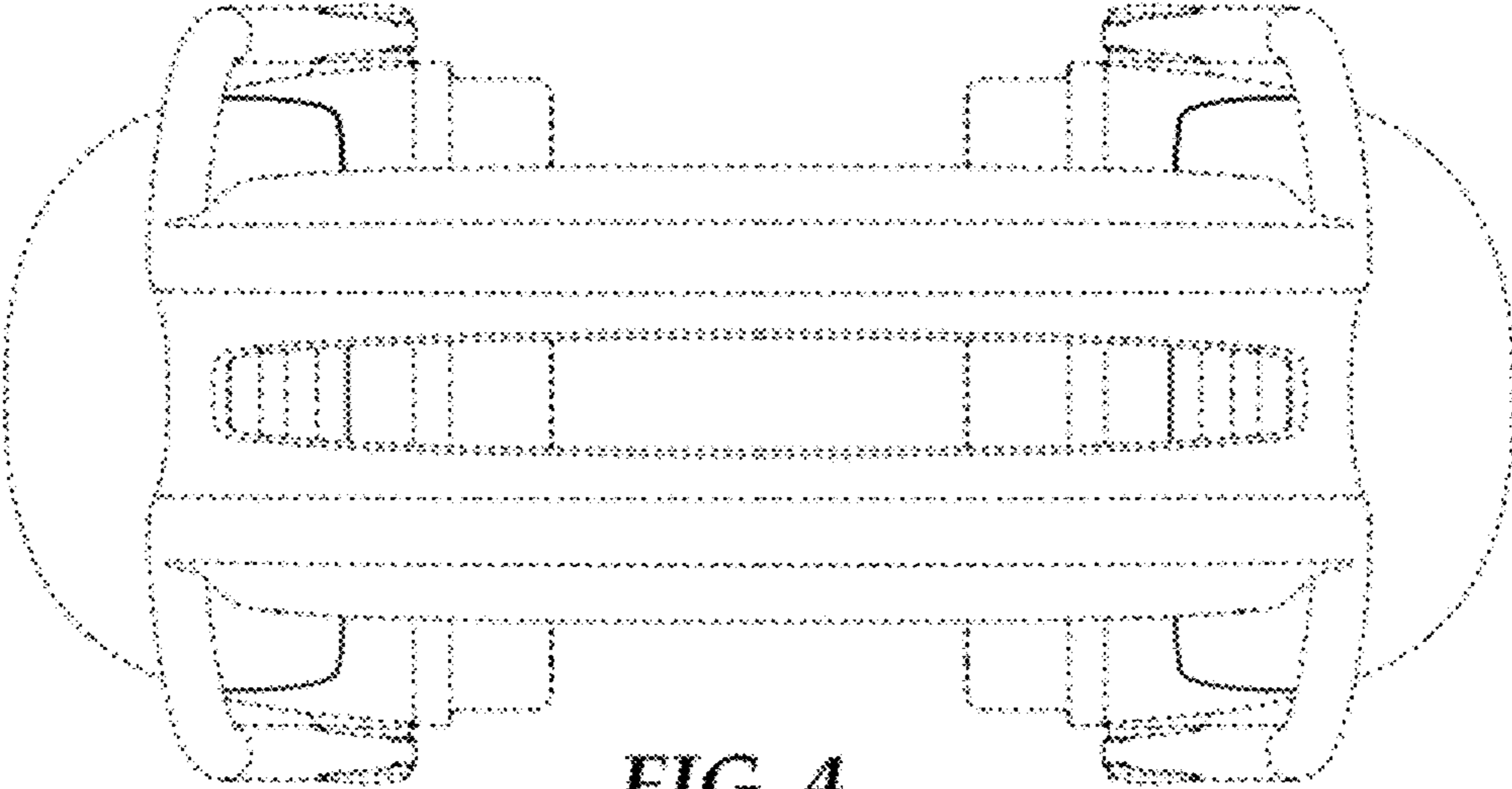


FIG. 4

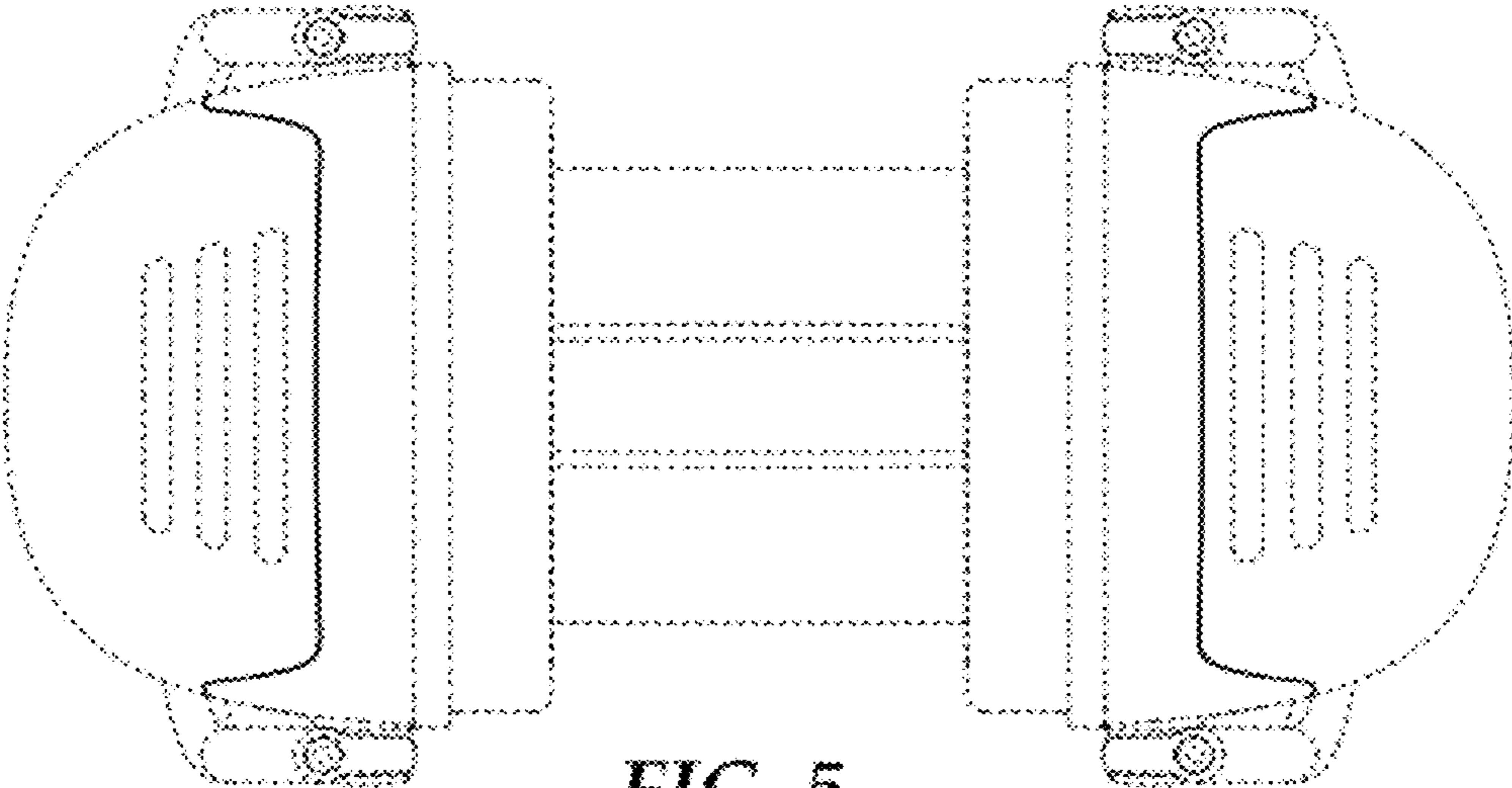


FIG. 5