

US00D663898S

(12) **United States Design Patent**
Aulwes et al.

(10) **Patent No.:** **US D663,898 S**
(45) **Date of Patent:** **** Jul. 17, 2012**

(54) **ROTARY SHAVER HEAD**
(75) Inventors: **Chad Aulwes**, Sterling, IL (US); **Steve Yde**, Sterling, IL (US); **Brian Fagan**, Oregon, IL (US); **Robert N. Buck, Jr.**, Rock Falls, IL (US)

(73) Assignee: **Wahl Clipper Corporation**, Sterling, IL (US)

(**) Term: **14 Years**

(21) Appl. No.: **29/410,024**

(22) Filed: **Jan. 3, 2012**

Related U.S. Application Data

(62) Division of application No. 29/384,877, filed on Feb. 4, 2011, now Pat. No. Des. 654,223.

(51) **LOC (9) Cl.** **28-03**

(52) **U.S. Cl.** **D28/54**

(58) **Field of Classification Search** 30/32, 34.05, 30/34.1-34.2, 30-31, 43-43.92, 44-45, 47-51, 30/77-84, 526-541, 346.5-346.61, 194-196, 30/198-205, 208-216, 233-233.5; D28/44-44.1, D28/45-54

See application file for complete search history.

(56) **References Cited**

U.S. PATENT DOCUMENTS

D326,735 S 6/1992 Mauro
6,502,309 B2 1/2003 De Vries et al.

6,938,344 B2 9/2005 Zuidervaart et al.
7,269,902 B2 9/2007 Van Der Meer
D563,599 S 3/2008 Prat-Pfister
7,471,062 B2 12/2008 Bruning
D601,301 S 9/2009 Bao
D602,636 S 10/2009 Lothar et al.
D620,641 S 7/2010 Nitz et al.
D637,759 S 5/2011 Byun
D651,746 S * 1/2012 Prat-Pfister D28/50
2009/0025227 A1 1/2009 Minkes et al.
2009/0025228 A1 1/2009 Minkes et al.
2010/0287784 A1 11/2010 Qiu

* cited by examiner

Primary Examiner — Jennifer Rivard

(74) *Attorney, Agent, or Firm* — Greer, Burns & Crain, Ltd.

(57) **CLAIM**

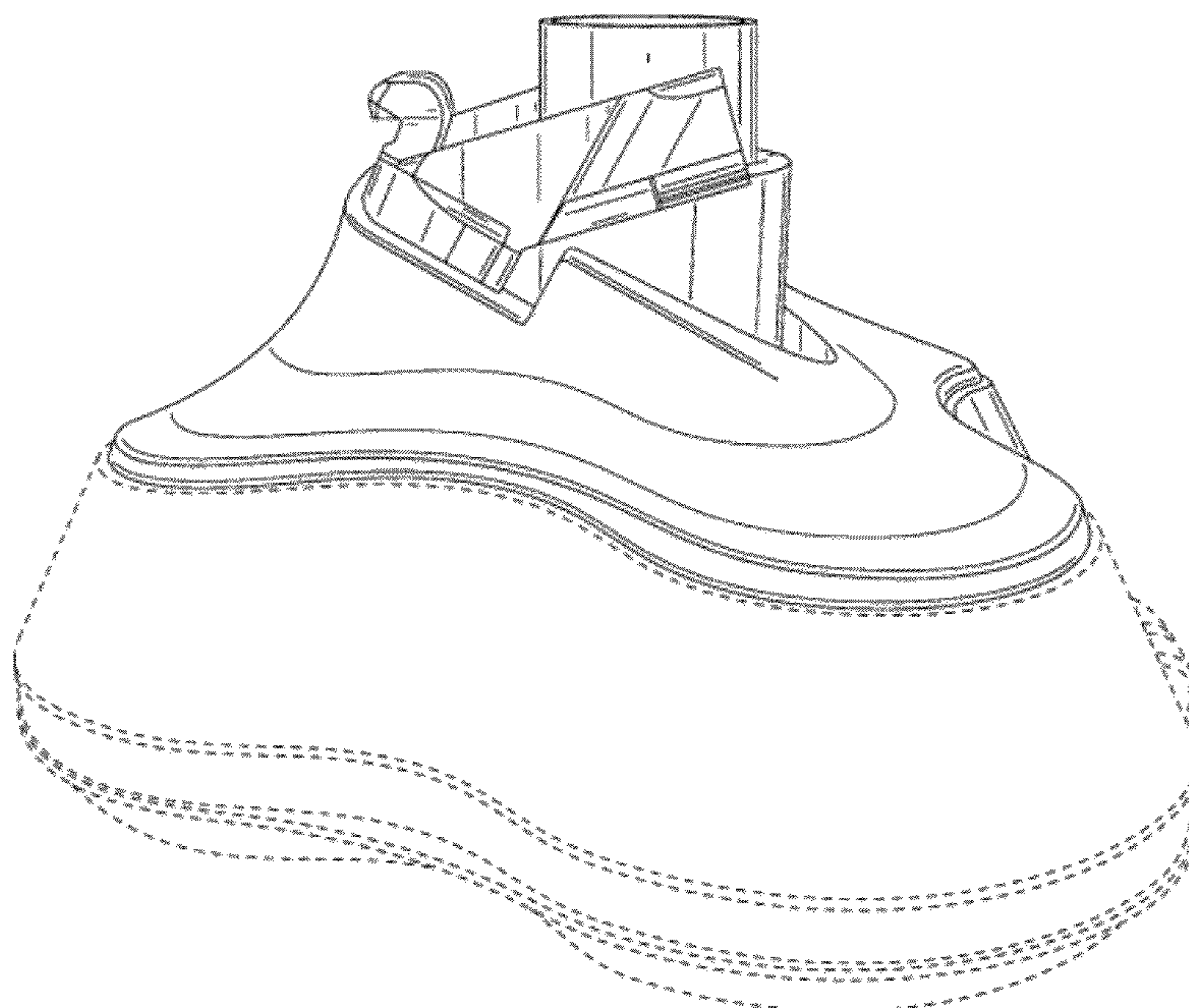
The ornamental design for a rotary shaver head, as shown and described.

DESCRIPTION

FIG. 1 is a top perspective view of a rotary shaver head; FIG. 2 is a front view of same; FIG. 3 is a rear view of the rotary shaver head of FIG. 1; FIG. 4 is a left side view of same; FIG. 5 is a right side view of same; FIG. 6 is a top view of the rotary shaver head of FIG. 1; and, FIG. 7 is a bottom view of same.

The structure shown in broken lines is for environment purposes only and does not form part of the claimed invention.

1 Claim, 7 Drawing Sheets



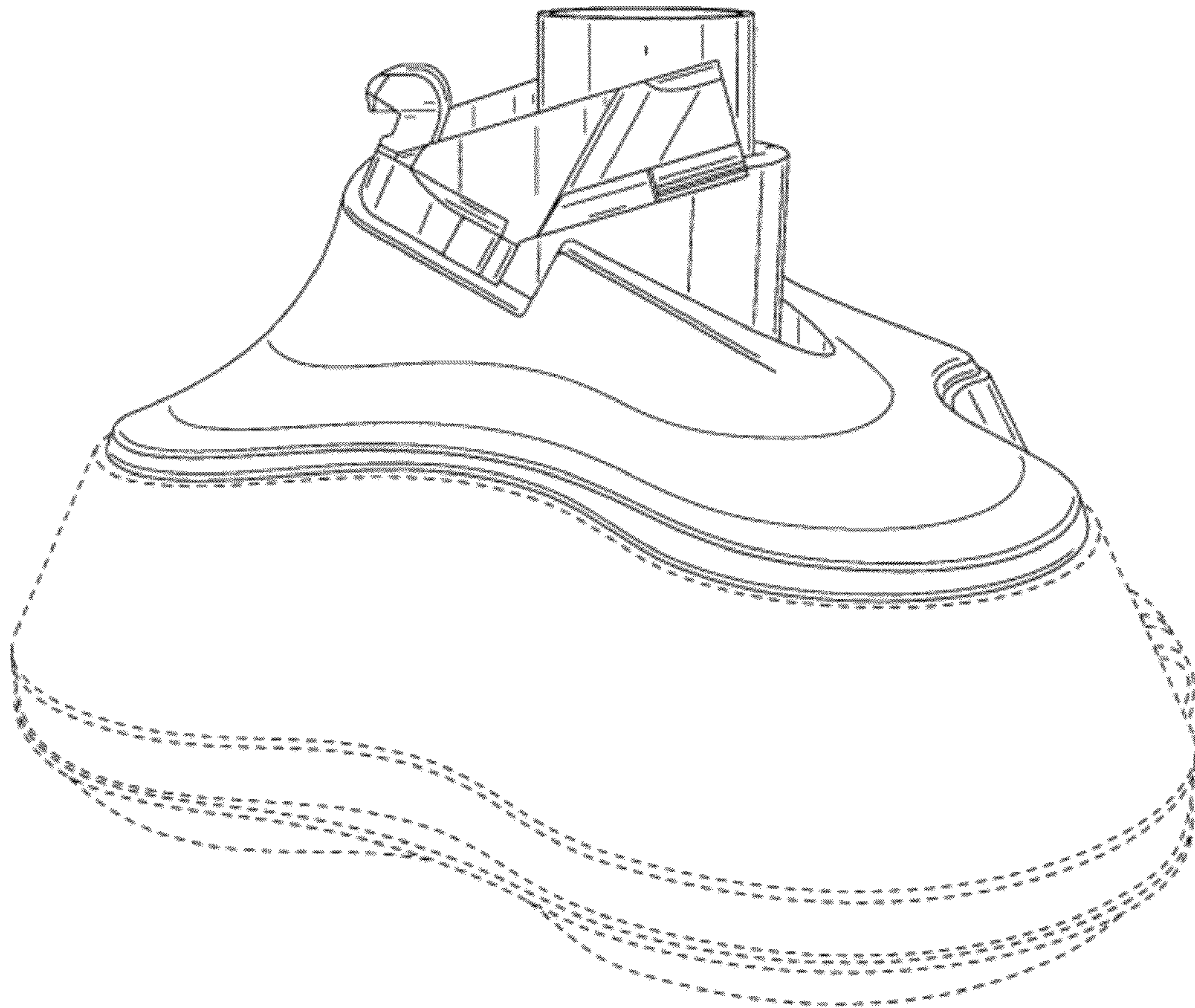


FIG. 1

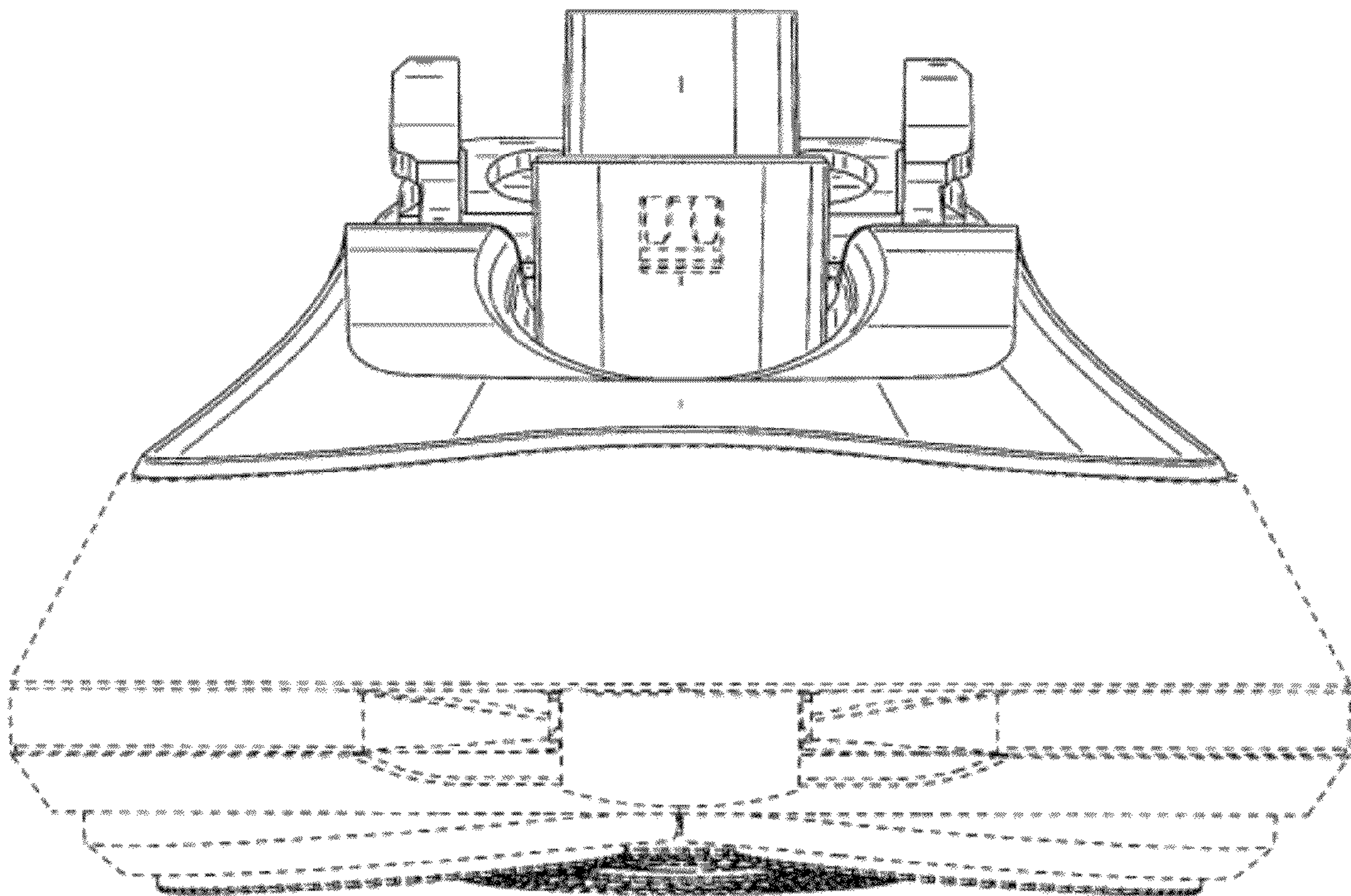


FIG. 2

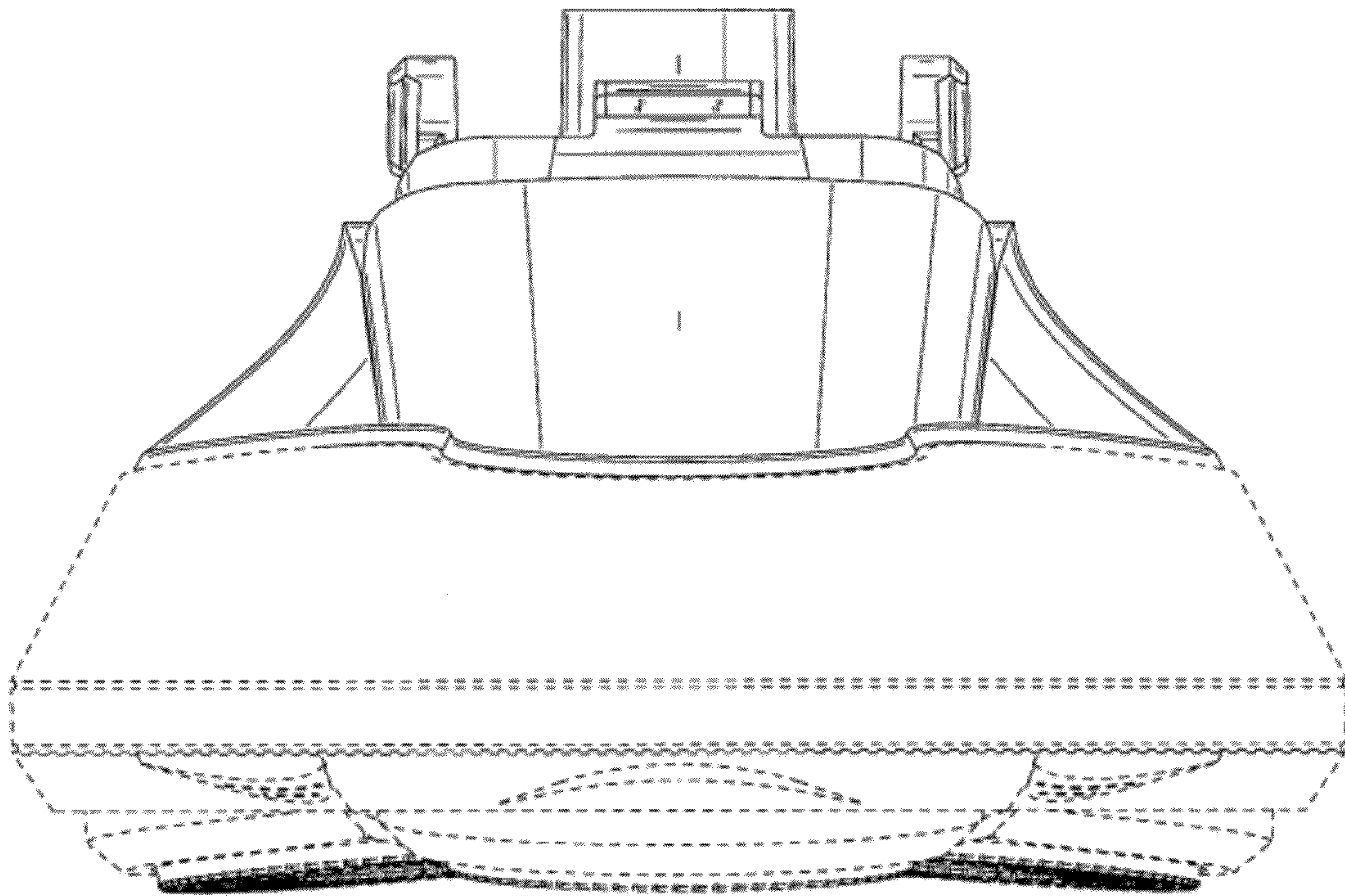


FIG. 3

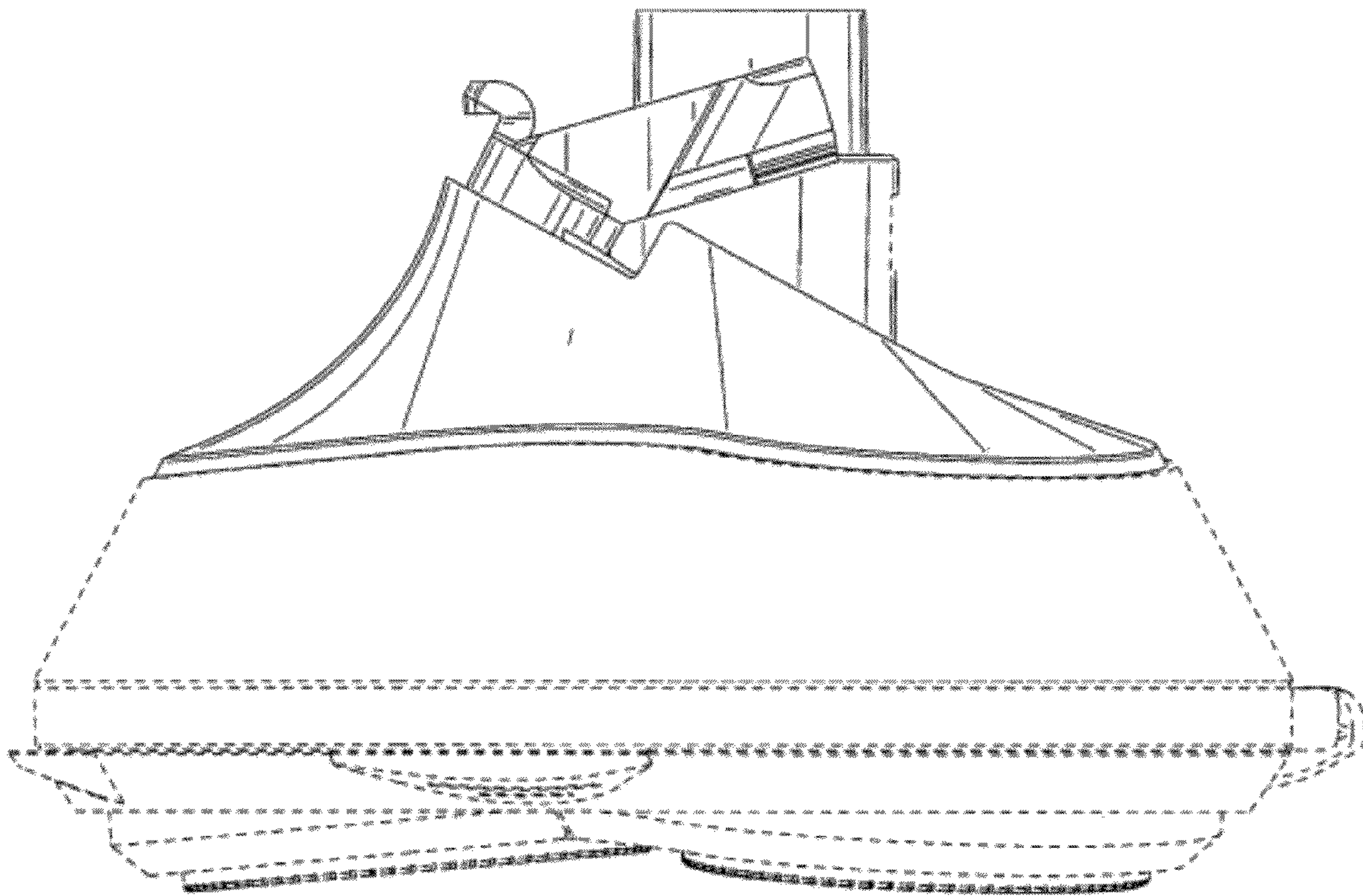


FIG. 4

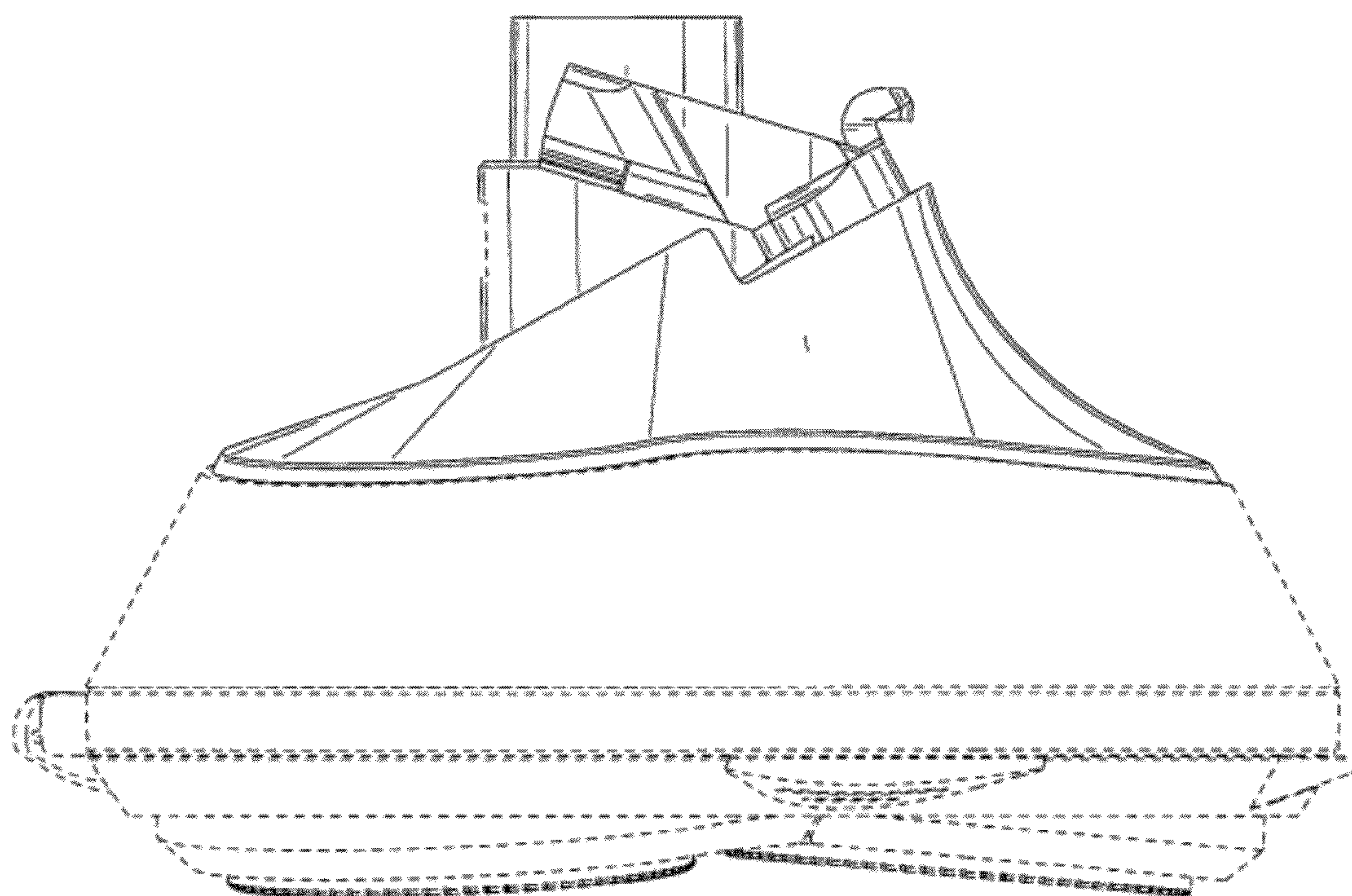


FIG. 5

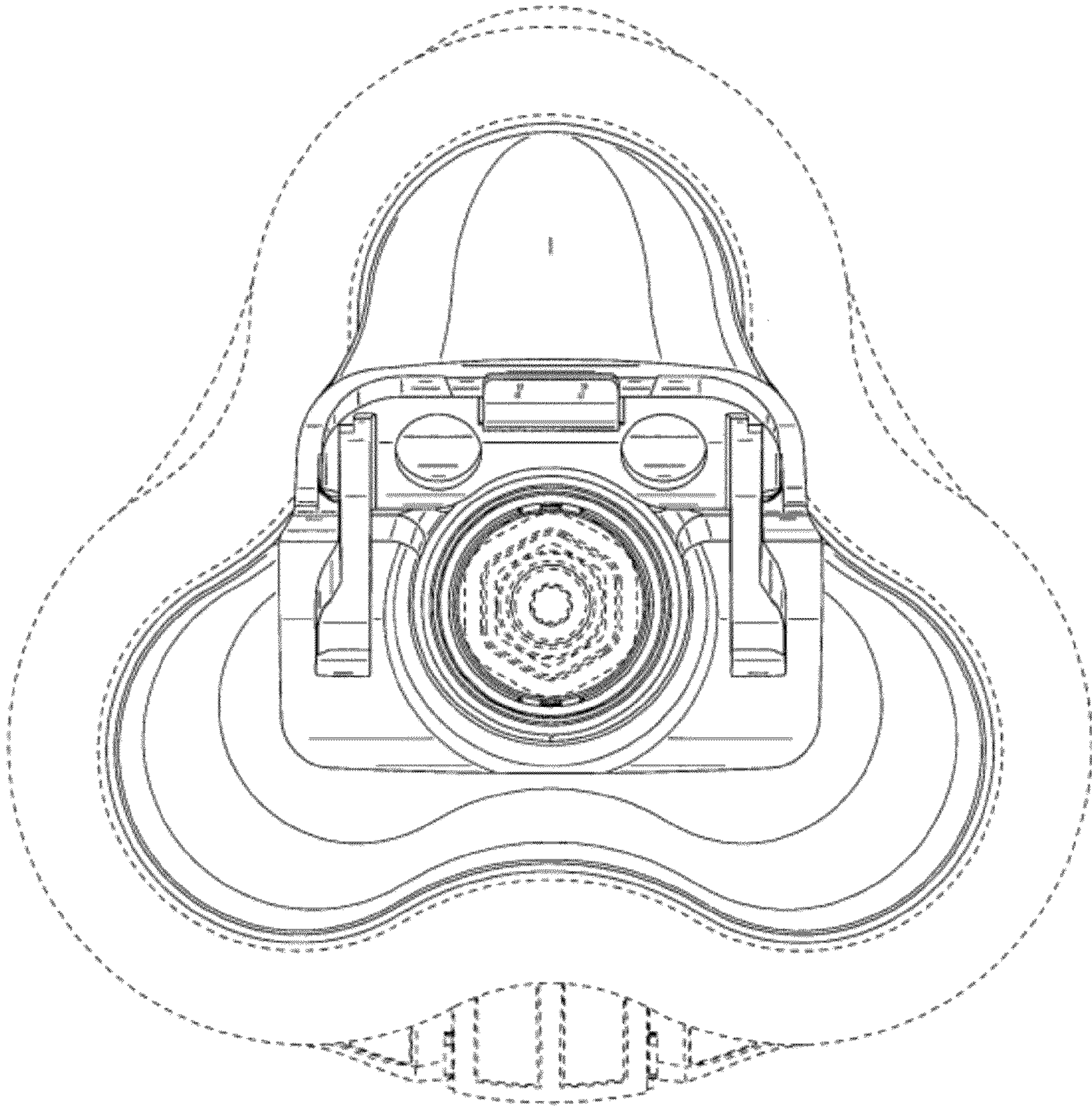


FIG. 6

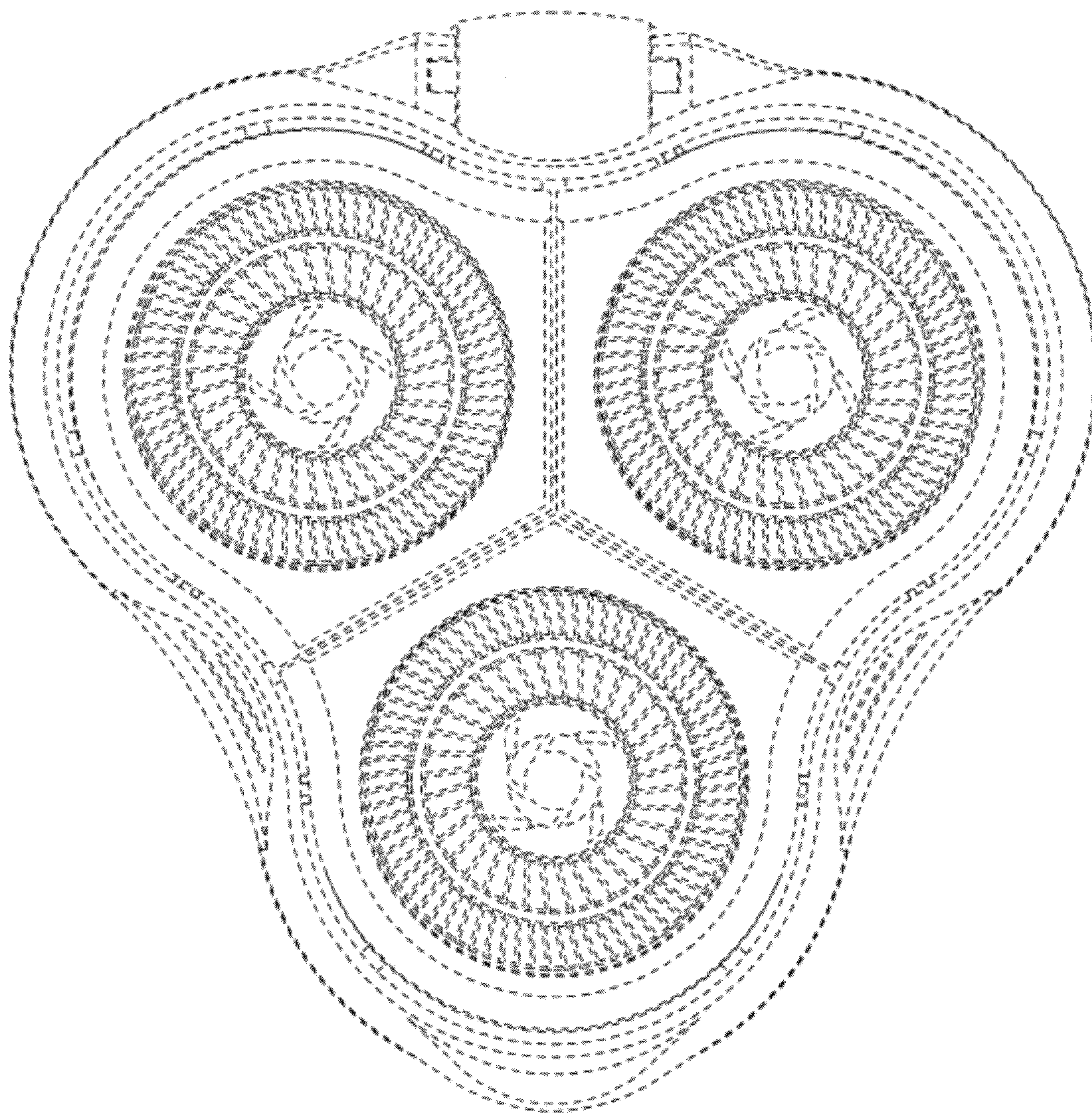


FIG. 7