



US00D663896S

(12) **United States Design Patent**
Meech et al.

(10) **Patent No.:** **US D663,896 S**
(45) **Date of Patent:** **** Jul. 17, 2012**

(54) **COMBINATION SHAVING AND TRIMMING DEVICE**

(75) Inventors: **James Arthur Meech**, Sharon, MA (US); **John Philip Kalinowsky**, Danbury, CT (US); **John Kevin Clay**, Milford, CT (US); **Kristopher William Schulz**, Framingham, MA (US); **Barry Alan Rowing**, Woodley (GB); **Trevor David Hubbard**, Warmington (GB); **Matthew Michael Long**, Methuen, MA (US); **Christopher Moulson**, North Andover, MA (US); **Bruce William Palmer**, Sandwich, MA (US); **Jiong Hui Li**, Quincy, MA (US)

(73) Assignee: **The Gillette Company**, Boston, MA (US)

(**) Term: **14 Years**

(21) Appl. No.: **29/368,796**

(22) Filed: **Aug. 30, 2010**

(51) **LOC (9) Cl.** **28-03**

(52) **U.S. Cl.** **D28/49; D28/53; D9/749**

(58) **Field of Classification Search** 30/32, 34.05, 30/34.1-34.2, 30-31, 43-43.92, 44-45, 47-51, 30/77-84, 526-541, 346.5-346.61, 194-196, 30/198-205, 208-216, 233-233.5; D28/44-44.1, D28/45-54; D9/415, 748-749
See application file for complete search history.

(56) **References Cited**

U.S. PATENT DOCUMENTS

3,222,781 A	12/1965	Luther et al.
3,552,007 A	1/1971	Yamada
4,249,307 A	2/1981	Andis
4,581,822 A	4/1986	Fujimura
4,614,032 A	9/1986	Szabo
4,631,825 A	12/1986	Kuriyama et al.
4,694,575 A	9/1987	Boerger
4,980,973 A	1/1991	Lee et al.
5,046,249 A	9/1991	Kawara et al.
5,299,354 A	4/1994	Metcalf et al.

5,325,590 A	7/1994	Andis et al.
5,386,631 A	2/1995	Van Asten et al.
5,542,178 A	8/1996	Harkleroad
6,044,558 A	4/2000	Wu
6,052,905 A	4/2000	Branchinelli et al.
D426,918 S	6/2000	Greene

(Continued)

FOREIGN PATENT DOCUMENTS

WO WO 94/04326 A1 3/1994

OTHER PUBLICATIONS

U.S. Appl. No. 12/722,840, filed Mar. 12, 2010, Rehbein et al.

(Continued)

Primary Examiner — Jennifer Rivard

(74) *Attorney, Agent, or Firm* — Jay A. Krebs

(57) **CLAIM**

The ornamental design for a combination shaving and trimming device, as shown and described.

DESCRIPTION

FIG. 1 is a perspective view as seen from the top, front, and left side of an arrangement of a trimmer and a razor attachment in packaging for a combination shaving and trimming device showing our design;

FIG. 2 is a front elevational view thereof;

FIG. 3 is a rear elevational view thereof;

FIG. 4 is a left side elevational view thereof;

FIG. 5 is a right side elevational view thereof;

FIG. 6 is a top plan view thereof;

FIG. 7 is a bottom plan view thereof;

FIG. 8 is a perspective view of a second embodiment;

FIG. 9 is a front elevational view thereof;

FIG. 10 is a rear elevational view thereof;

FIG. 11 is a left side elevational view thereof;

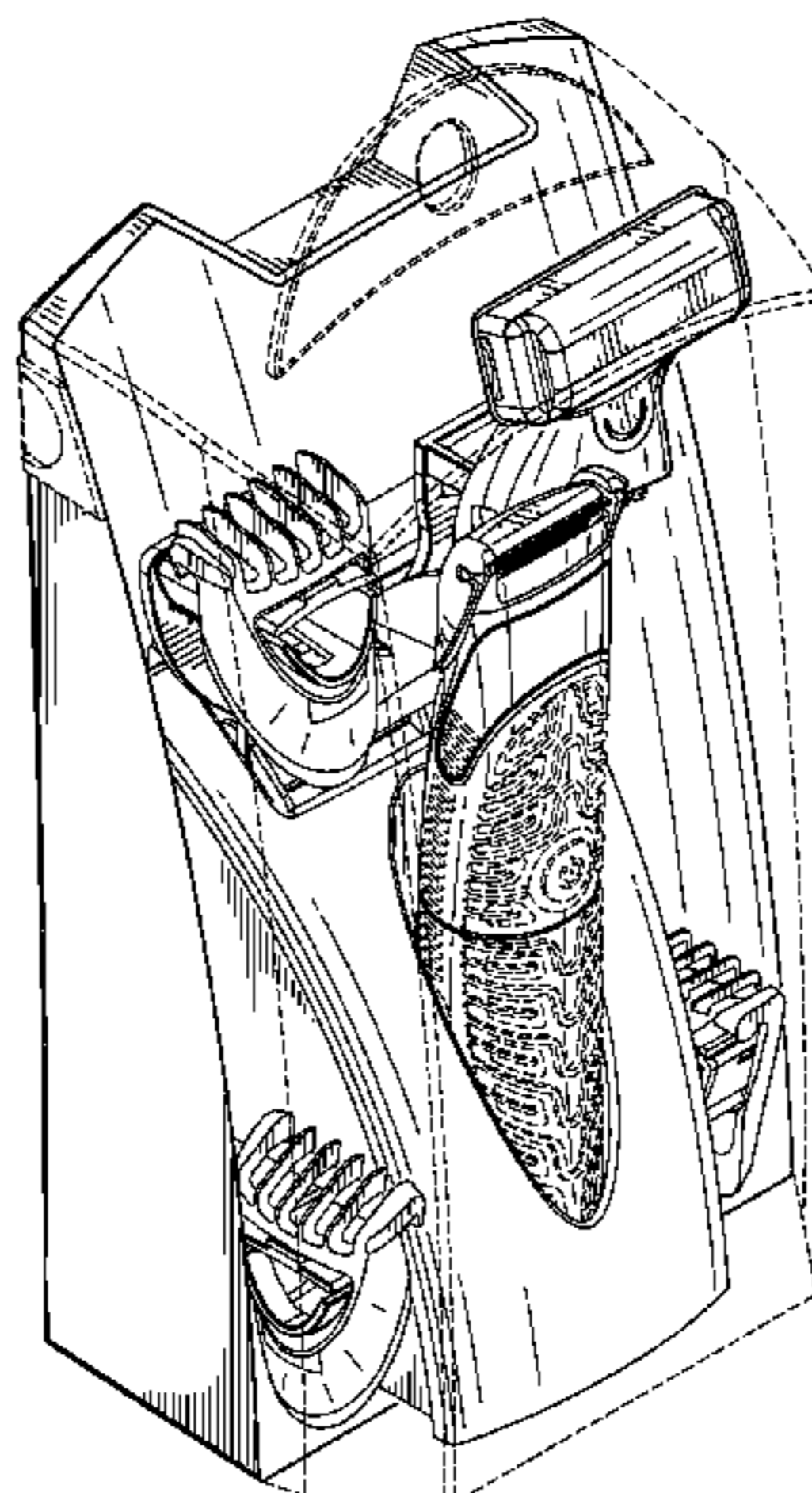
FIG. 12 is a right side elevational view thereof;

FIG. 13 is a top plan view thereof; and,

FIG. 14 is a bottom plan view thereof.

The broken lines shown in the drawings illustrate the environment of the article and form no part of the claimed design.

1 Claim, 10 Drawing Sheets



US D663,896 S

Page 2

U.S. PATENT DOCUMENTS

D431,095 S 9/2000 Hyman
6,112,421 A 9/2000 Greene
D432,265 S 10/2000 Kling et al.
D445,541 S 7/2001 Wursthorn
D446,351 S 8/2001 Greene
6,378,210 B1 4/2002 Bickford
D475,806 S 6/2003 Yang
6,604,287 B2 8/2003 Melton et al.
D481,169 S 10/2003 Cheung
D486,267 S 2/2004 Goetschi
6,862,810 B2 3/2005 Braun et al.
D509,026 S 8/2005 Leventhal et al.
6,928,738 B2 8/2005 Segrea
D512,795 S 12/2005 Carpenter
D513,343 S 12/2005 Bokelman-Dumas
D514,256 S 1/2006 Bokelman-Dumas
7,028,405 B2 4/2006 Paas et al.
D521,683 S 5/2006 Pepall
7,103,980 B2 9/2006 Leventhal
D534,315 S 12/2006 Provost et al.
D534,686 S 1/2007 Provost et al.
D539,478 S 3/2007 Leventhal et al.
D560,309 S 1/2008 Garland et al.
D563,045 S 2/2008 Provost et al.
D563,046 S 2/2008 Provost et al.
D568,534 S 5/2008 Micinilio et al.
D568,537 S 5/2008 Micinilio et al.
D568,539 S 5/2008 Micinilio et al.
D568,540 S 5/2008 Micinilio et al.
D568,541 S 5/2008 Micinilio
D571,954 S 6/2008 Kling et al.
D571,955 S 6/2008 Wonderley et al.
D577,864 S 9/2008 Kitagawa et al.
D591,451 S 4/2009 Micinilio et al.
D591,453 S 4/2009 Micinilio et al.
7,536,787 B2 5/2009 Blaustein et al.

D600,408 S 9/2009 Micinilio et al.
D604,014 S 11/2009 Micinilio et al.
D607,151 S 12/2009 Kling et al.
D612,102 S 3/2010 Kling et al.
D624,702 S 9/2010 Schulz et al.
D628,744 S 12/2010 Goetschi
D629,565 S 12/2010 Kling et al.
D636,125 S * 4/2011 Schulz et al. D28/53
D636,126 S * 4/2011 Schulz et al. D28/53
2004/0158990 A1 8/2004 Heide
2004/0181954 A1 9/2004 Follo et al.
2005/0005453 A1 1/2005 Egeresi
2005/0246902 A1 11/2005 Poran
2007/0006463 A1 1/2007 Pennella
2007/0283567 A1 12/2007 Magli
2008/0000089 A1 1/2008 Pennella et al.
2008/0016691 A1 1/2008 Pennella et al.
2008/0034591 A1 2/2008 Fung
2008/0047145 A1 2/2008 Dietzel et al.
2008/0086887 A1 4/2008 Park et al.
2009/0000124 A1 1/2009 Micinilio et al.
2009/0000125 A1 1/2009 Peyser et al.
2009/0165304 A1 7/2009 Blaustein et al.
2010/0011585 A1 1/2010 Maichel et al.
2010/0037463 A1 2/2010 Maichel et al.
2010/0064520 A1 3/2010 Park et al.
2010/0139097 A1 * 6/2010 Perez-Lopez et al. 30/34.1
2010/0299927 A1 * 12/2010 Fischer et al. 30/34.1

OTHER PUBLICATIONS

U.S. Appl. No. 12/816,712, filed Jun. 16, 2010, Perez-Lopez et al.
U.S. Appl. No. 29/369,832, filed Sep. 14, 2010, Schulz et al.
U.S. Appl. No. 29/369,831, filed Sep. 14, 2010, Schultz et al.
U.S. Appl. No. 29/364,548, filed Jun. 24, 2010, Kalinowsky et al.

* cited by examiner

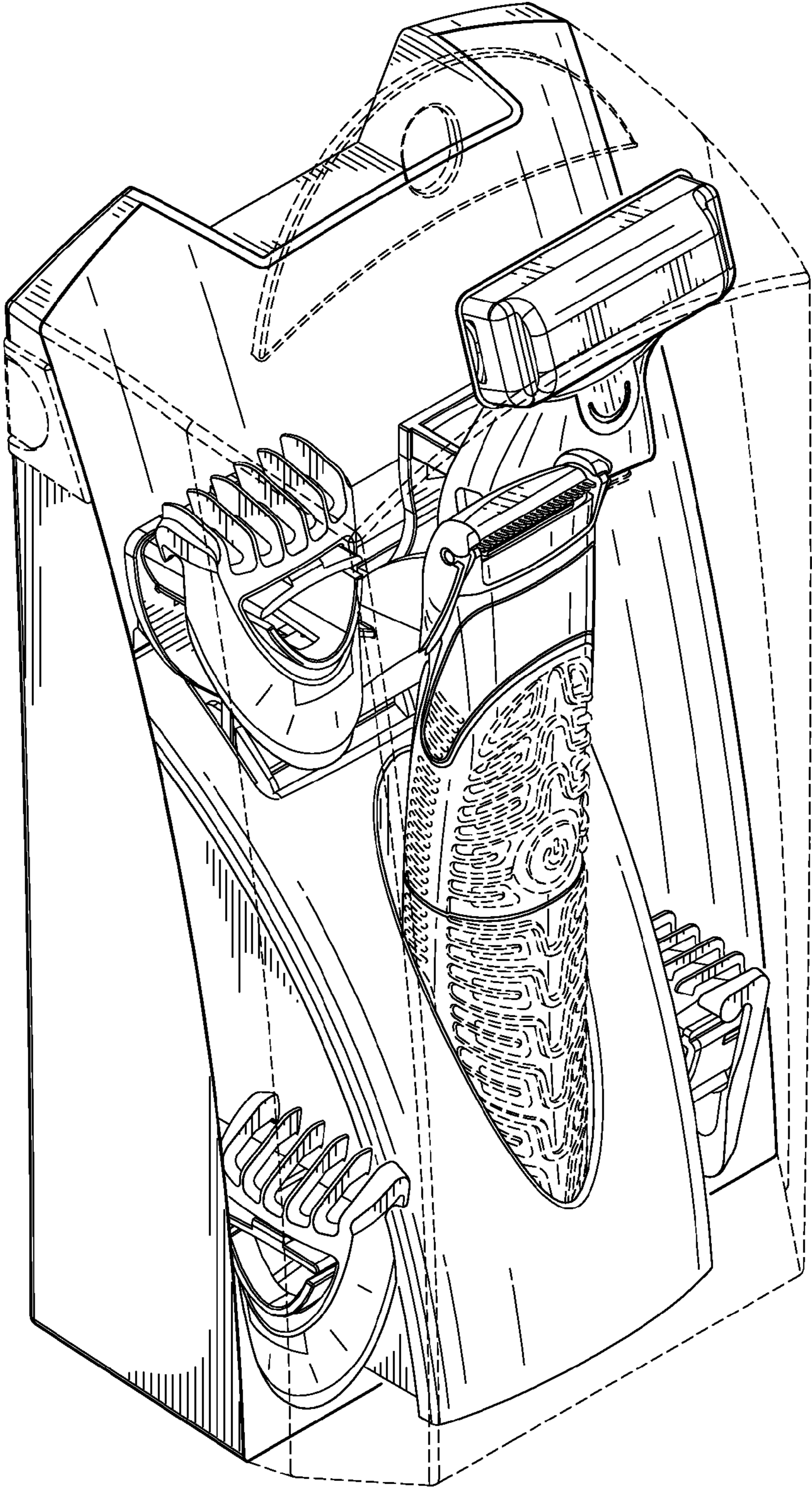


FIG. 1

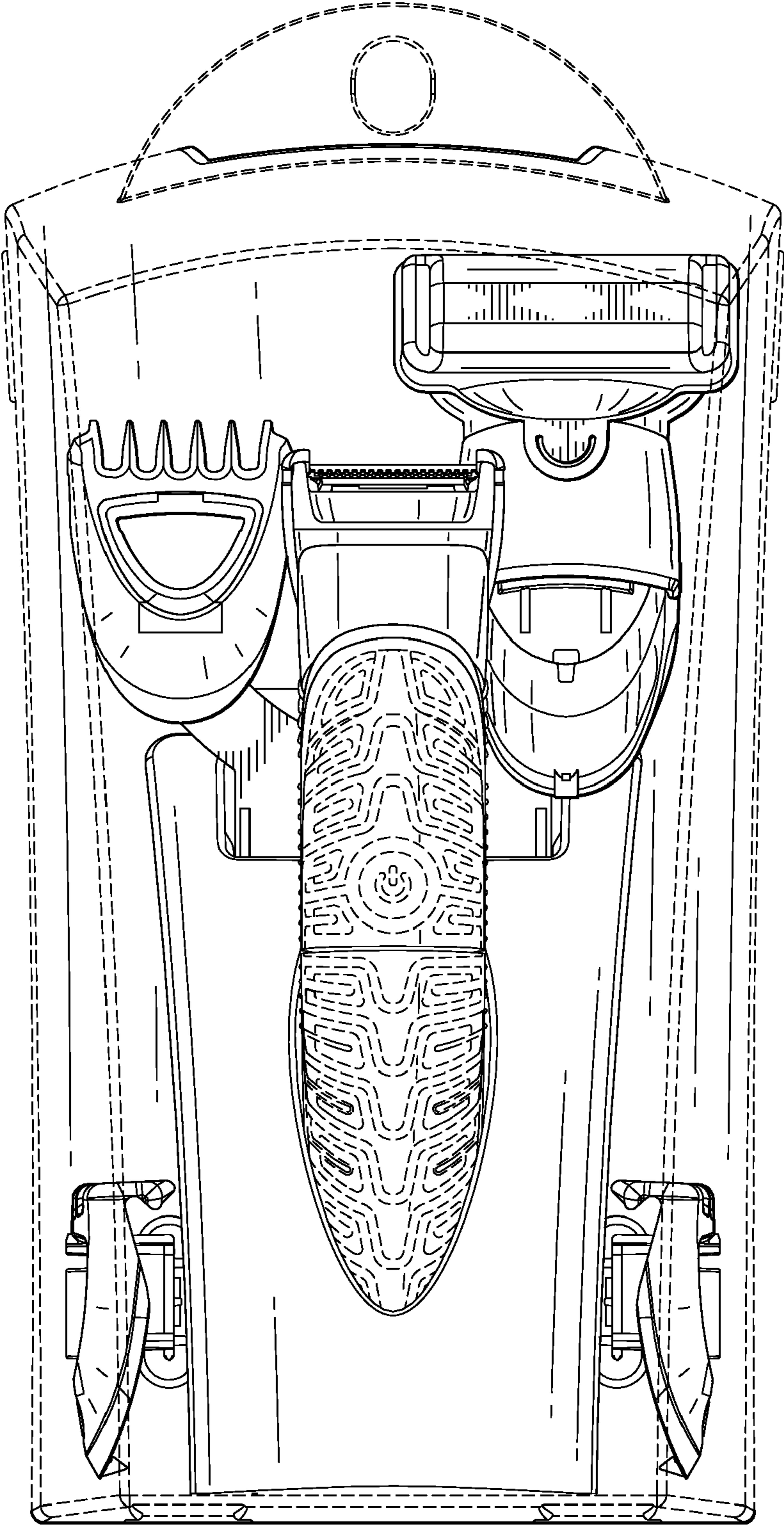


FIG. 2

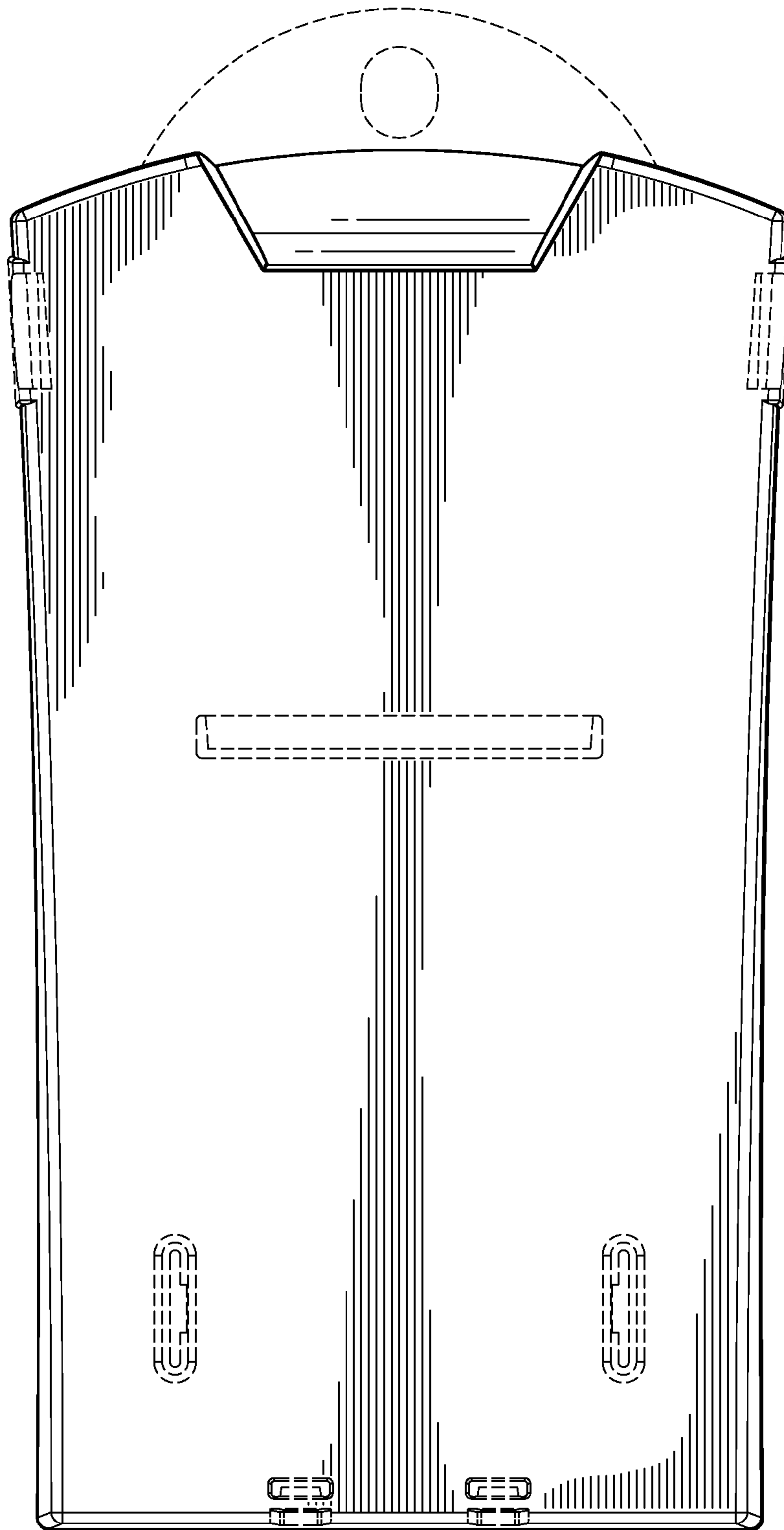


FIG. 3

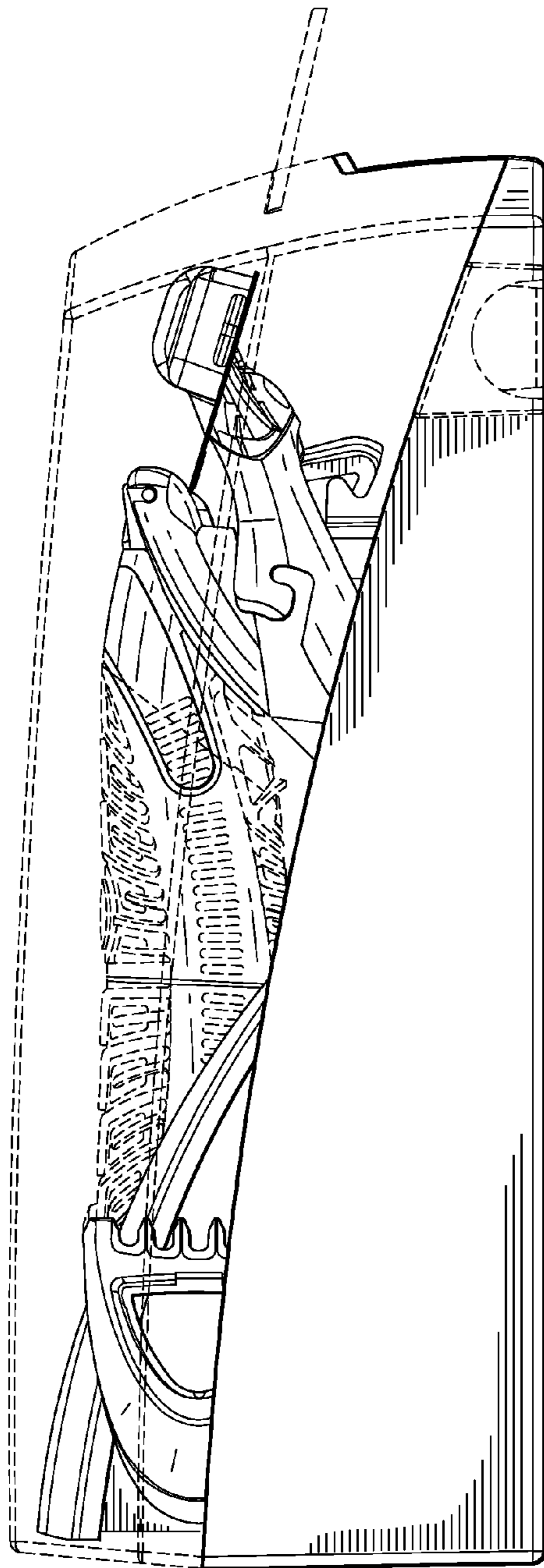


FIG. 4

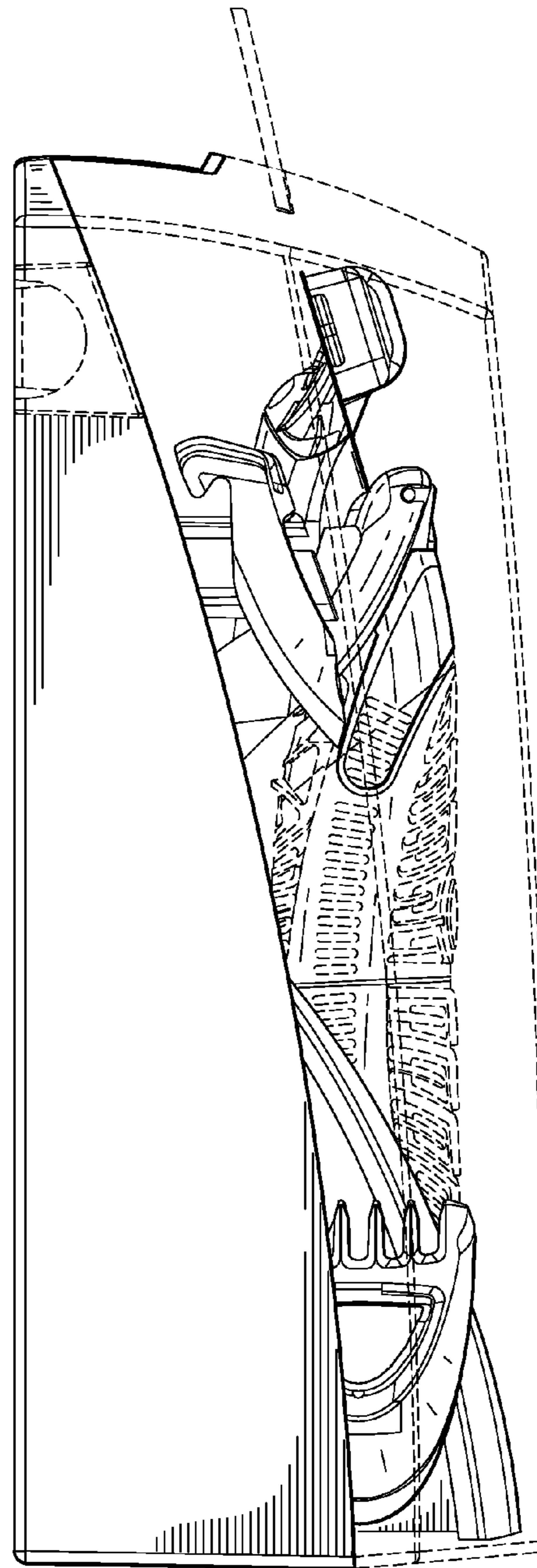


FIG. 5

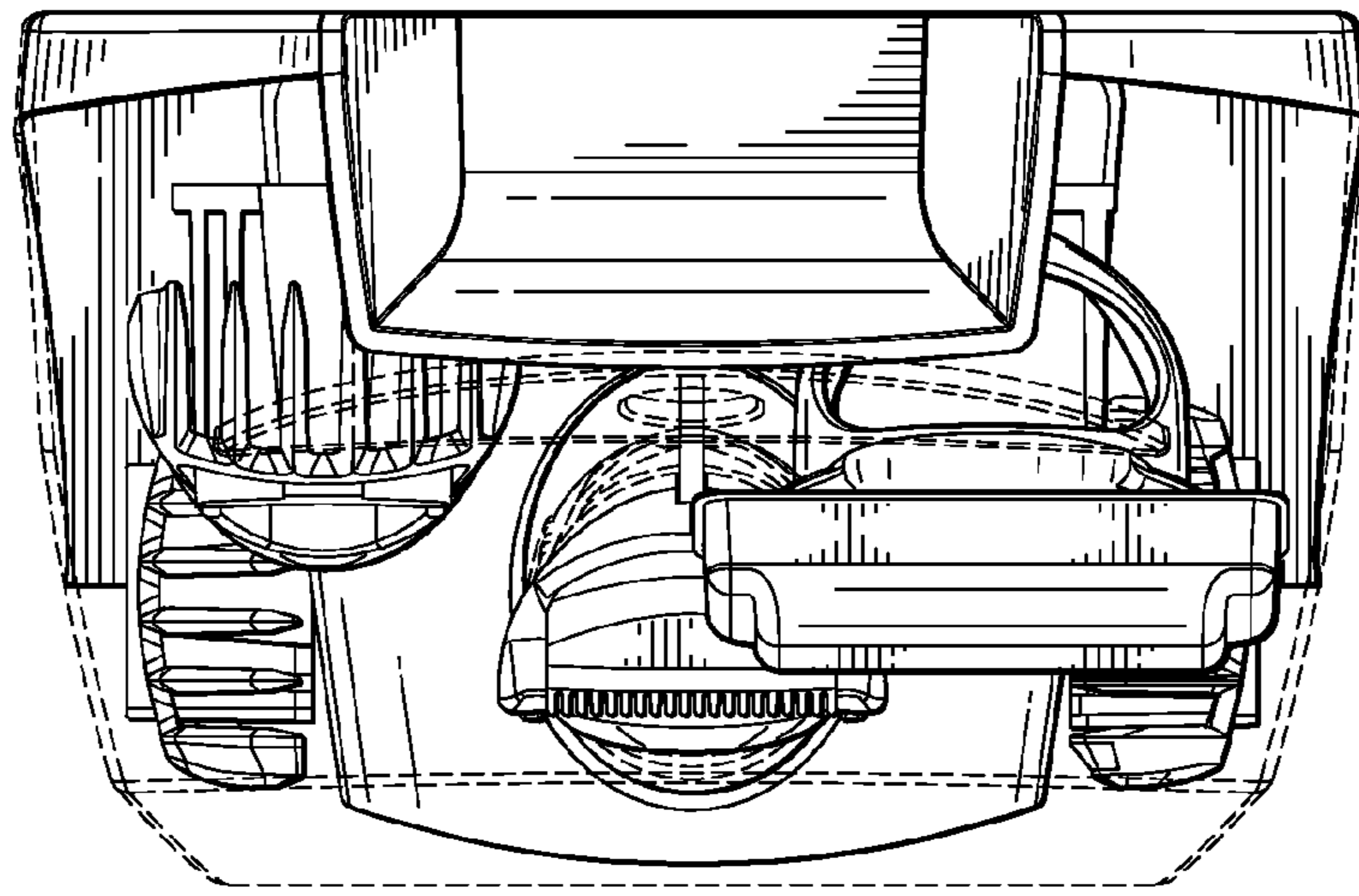


FIG. 6

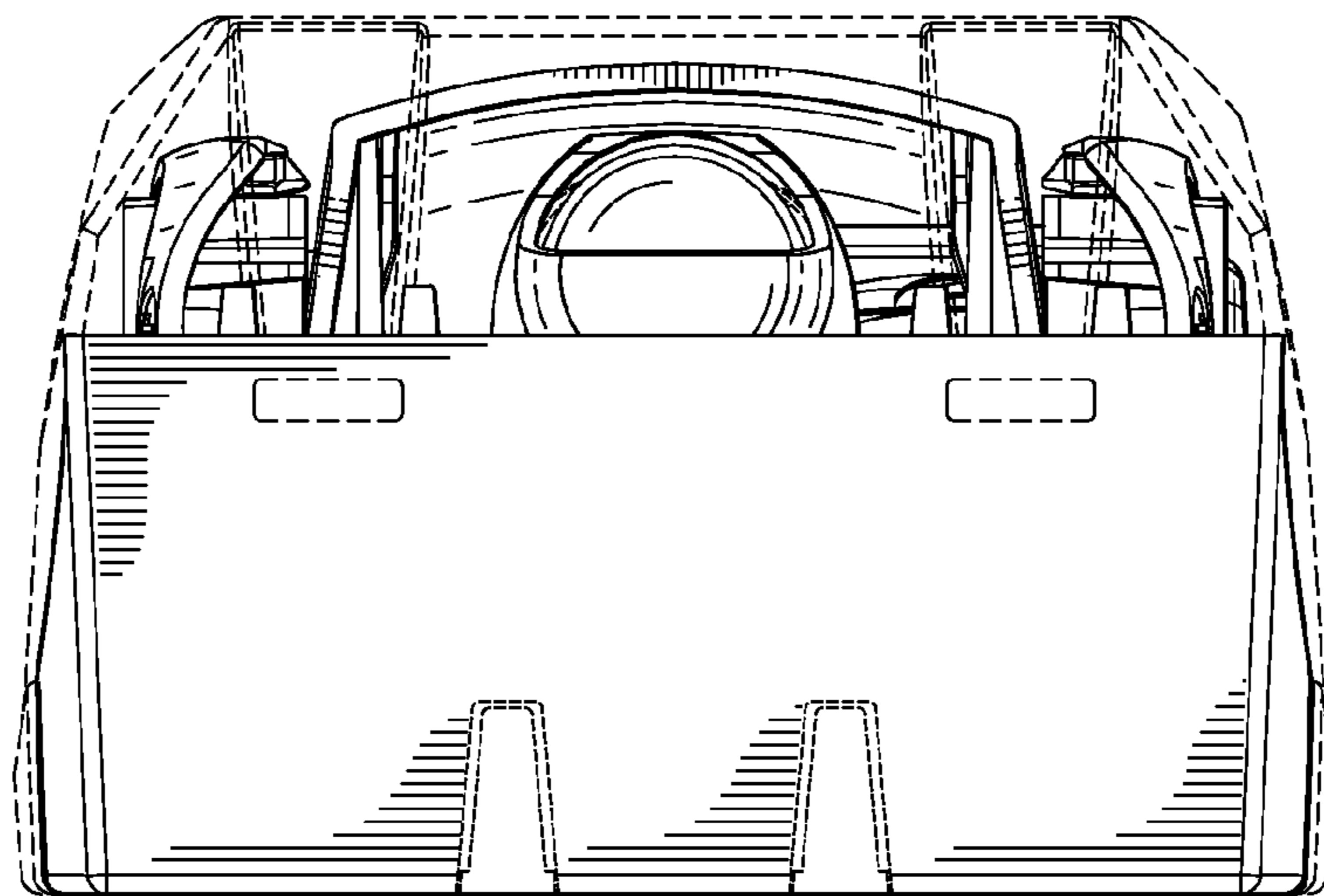


FIG. 7

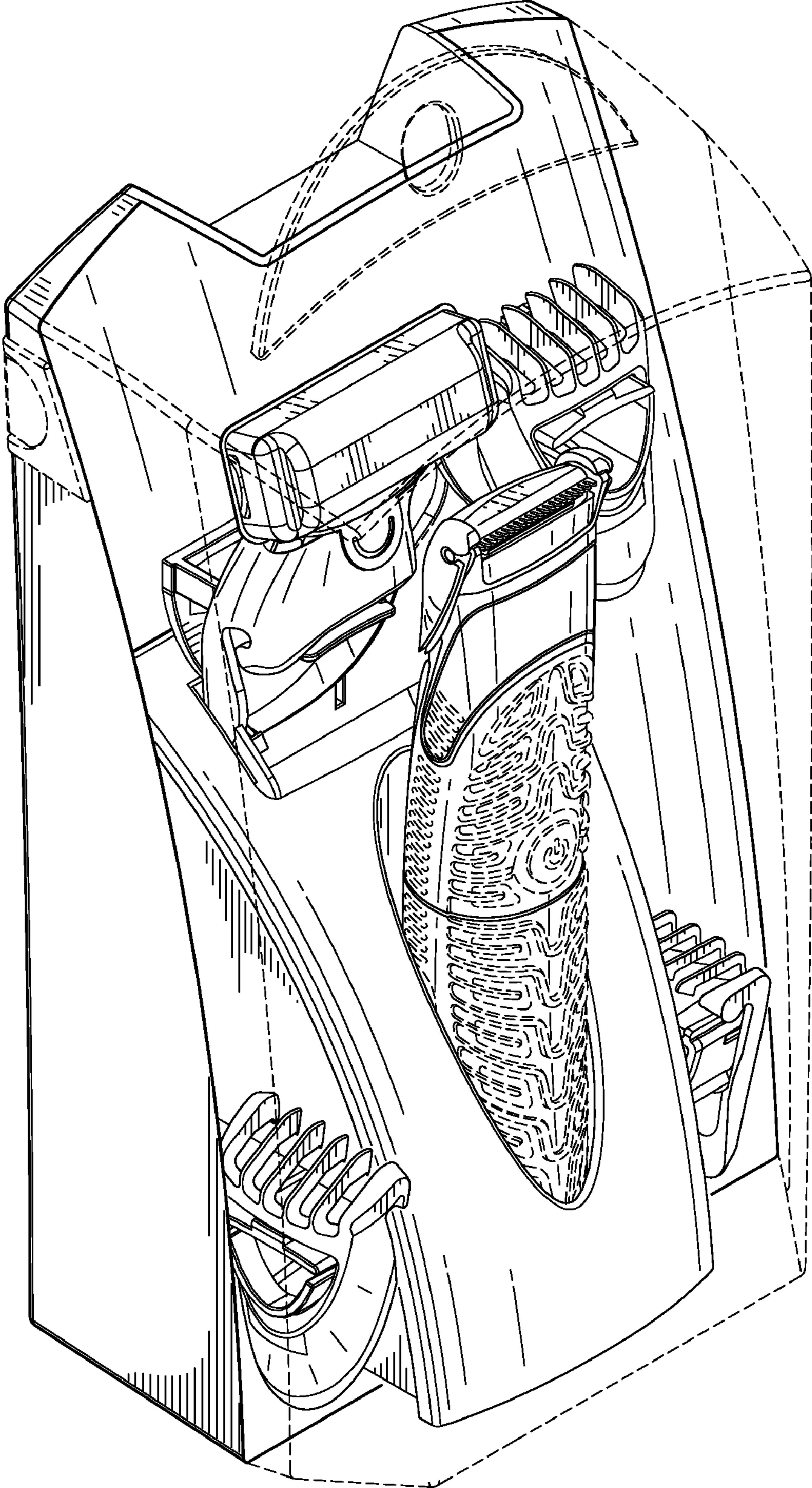


FIG. 8

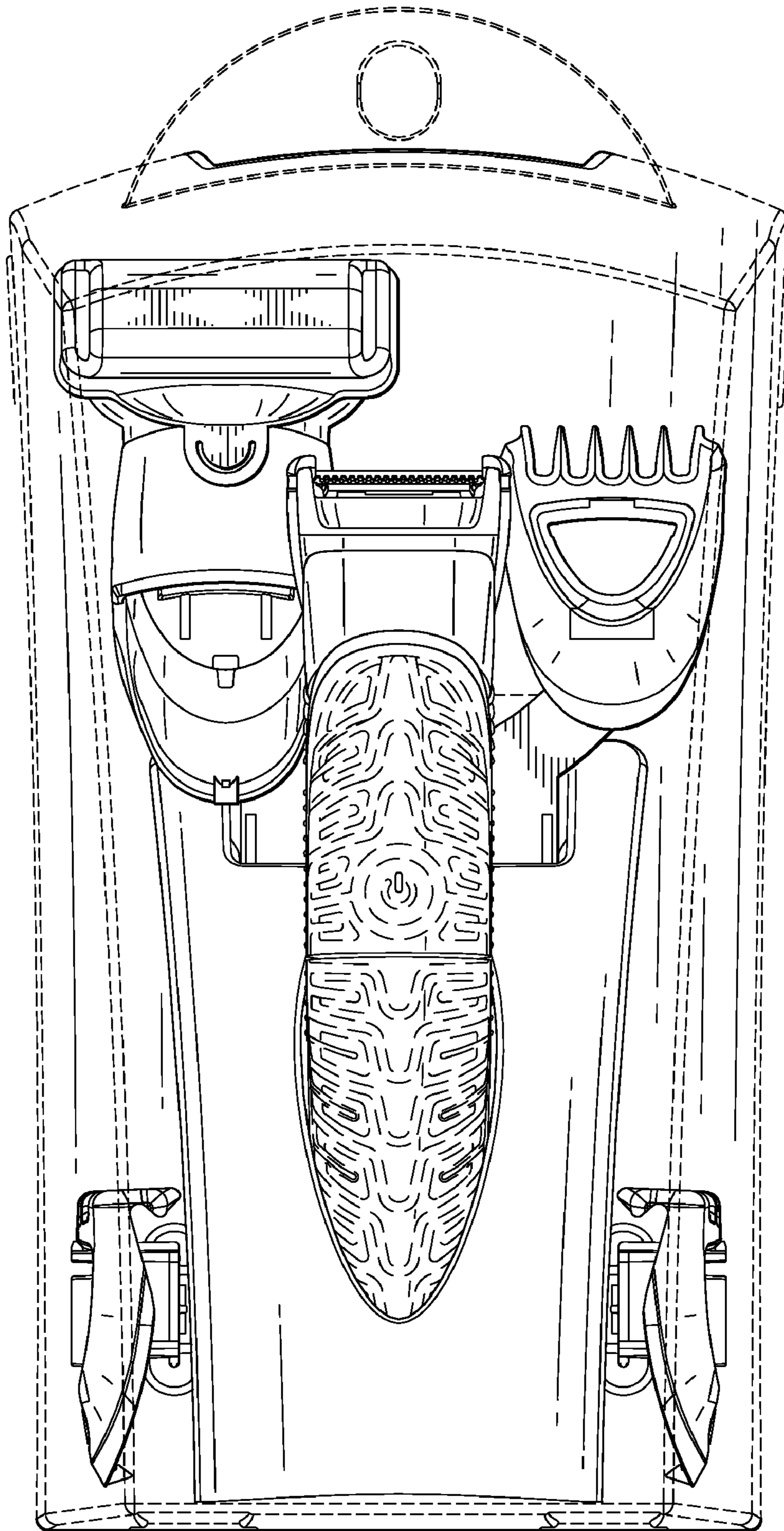


FIG. 9

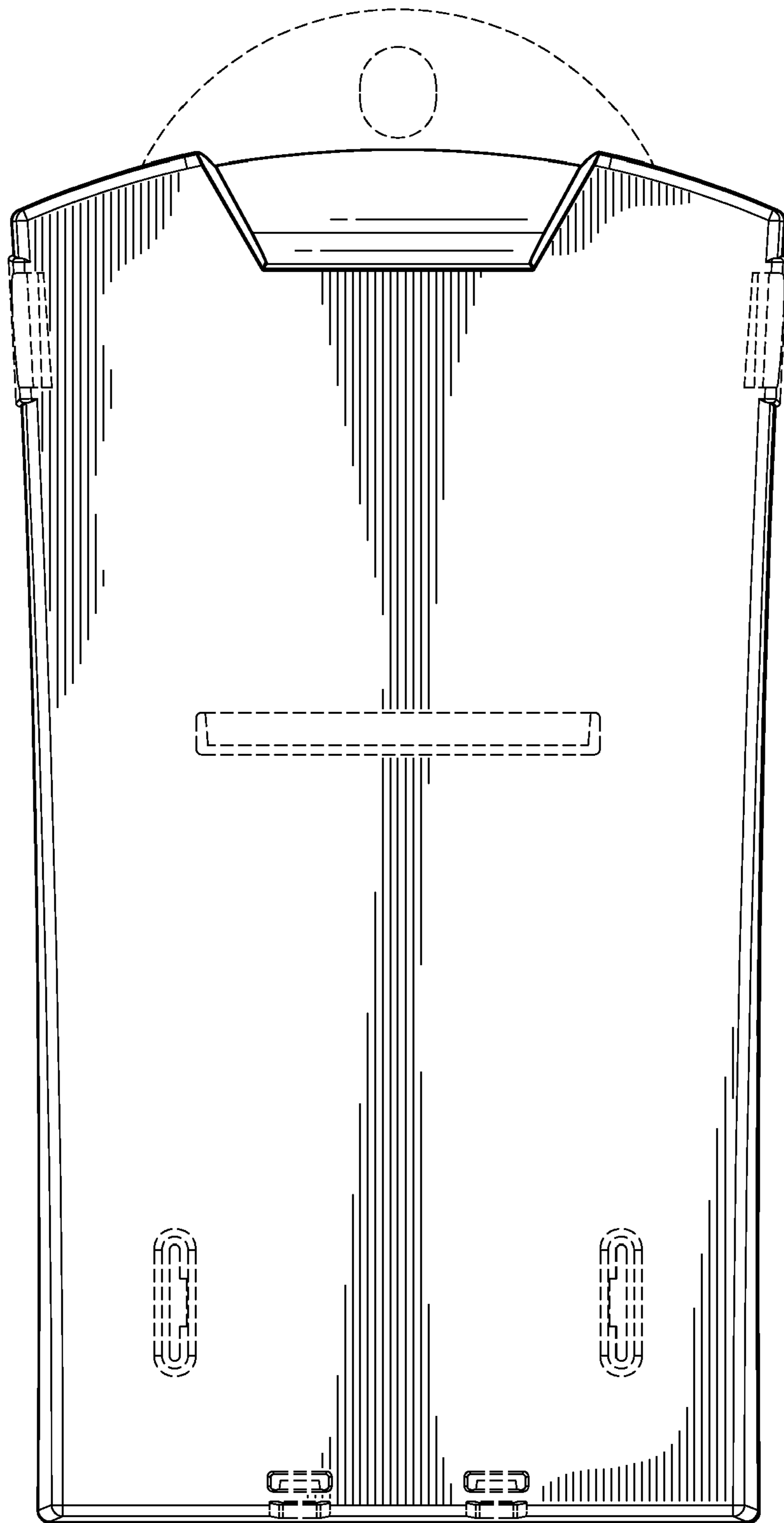


FIG. 10

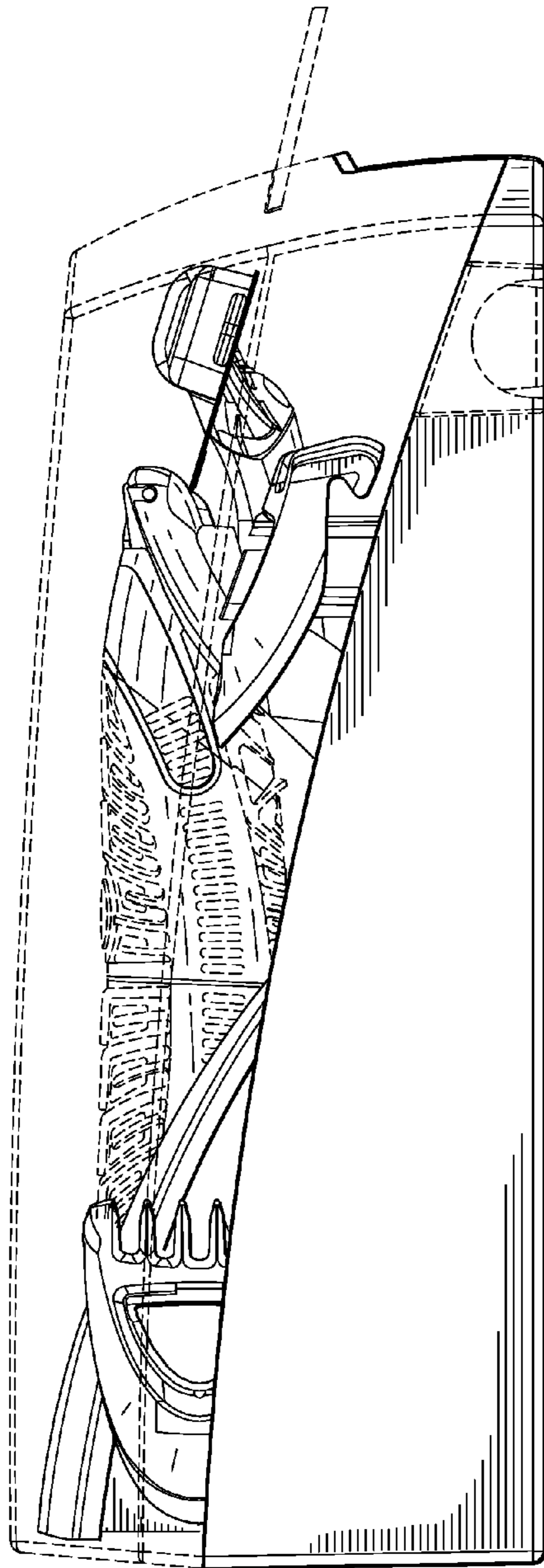


FIG. 11

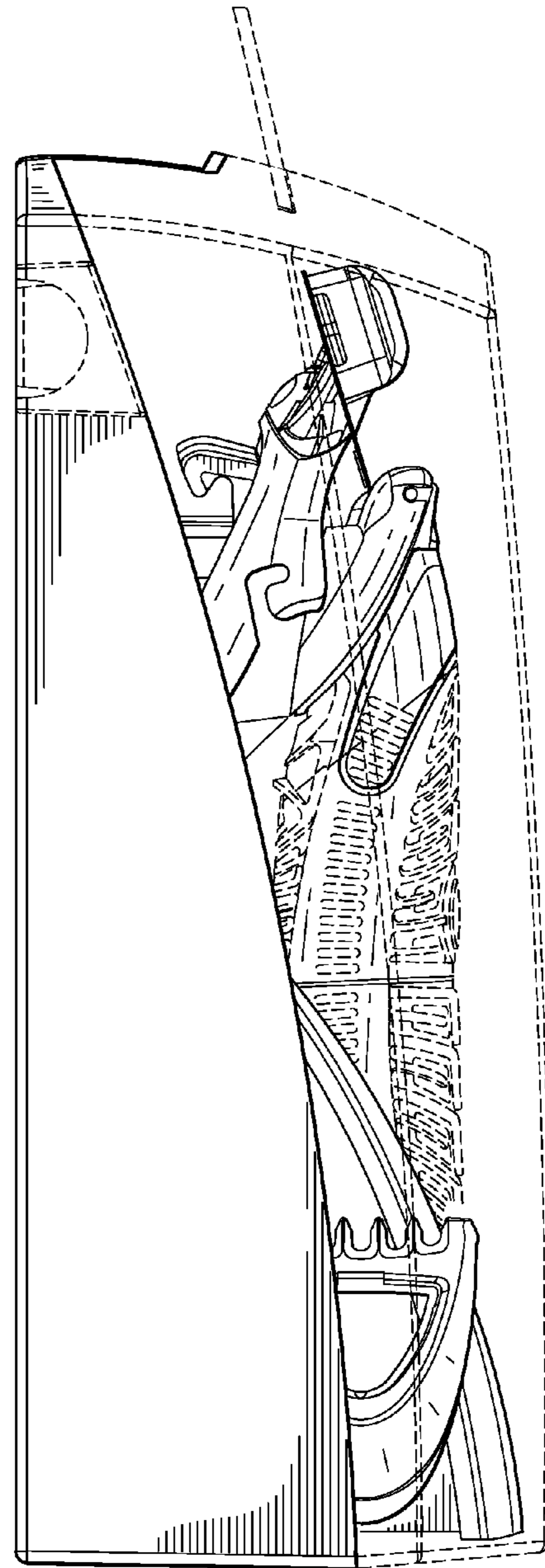


FIG. 12

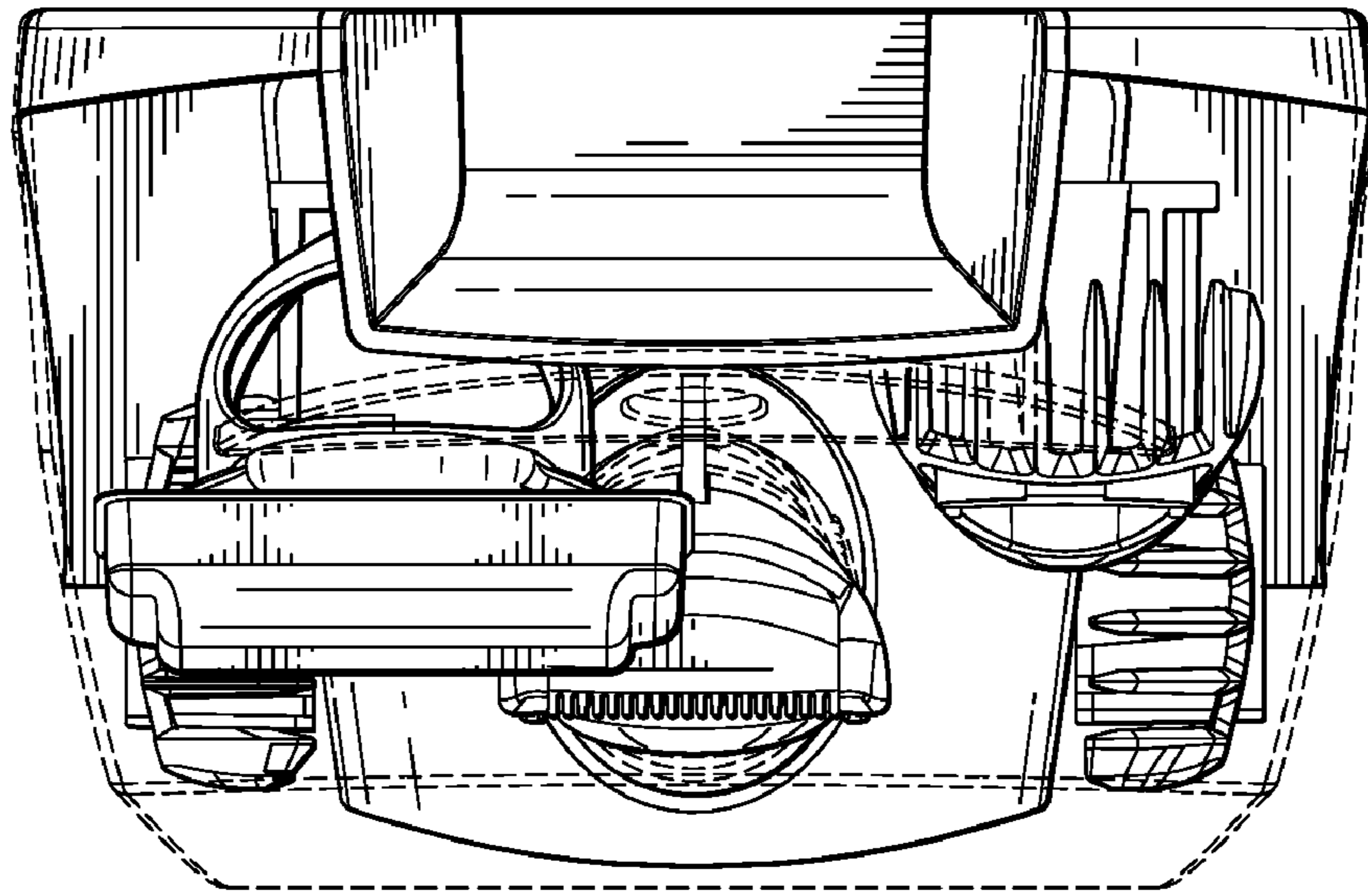


FIG. 13

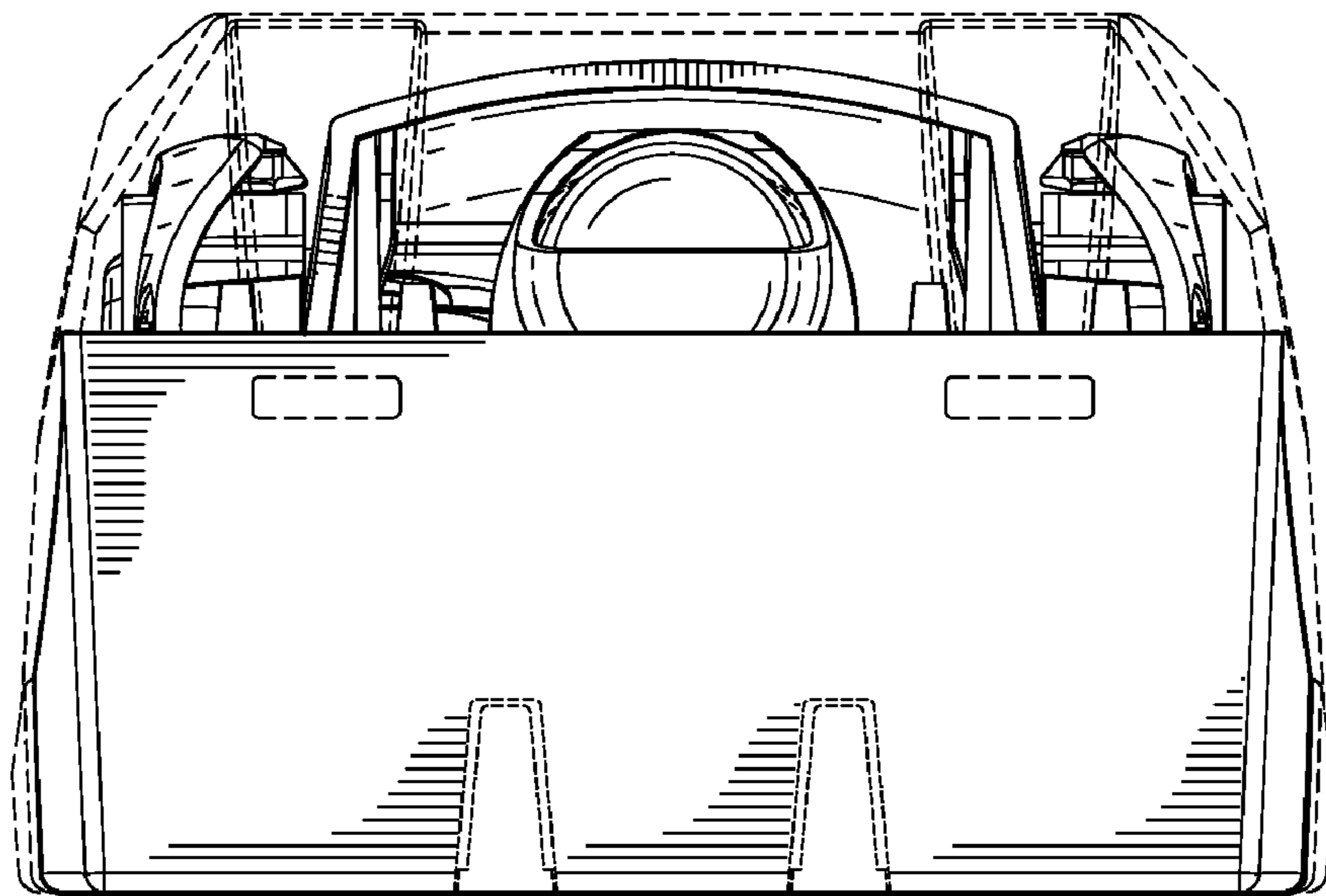


FIG. 14