



US00D663888S

(12) **United States Design Patent**
Davis

(10) **Patent No.:** **US D663,888 S**
(45) **Date of Patent:** **** Jul. 17, 2012**

- (54) **LIGHT MODULE**
- (75) **Inventor:** **Jared Michael Davis**, Newnan, GA (US)
- (73) **Assignee:** **Cooper Technologies Company**,
Houston, TX (US)
- (**) **Term:** **14 Years**
- (21) **Appl. No.:** **29/387,617**
- (22) **Filed:** **Mar. 15, 2011**
- (51) **LOC (9) Cl.** **26-99**
- (52) **U.S. Cl.** **D26/138**
- (58) **Field of Classification Search** D26/81,
D26/85, 86, 68, 76, 72, 118, 120, 138, 155,
D26/113, 121, 122, 124, 128, 130, 142, 84,
D26/3, 80, 24, 2, 65, 63, 60, 62, 70, 71, 87,
D26/74, 137, 61, 152, 153, 154, 141, 145,
D26/82, 83, 93, 134; 362/407, 368, 92, 555,
362/545, 413, 367, 102, 147, 365, 366, 364,
362/371, 327, 405; 165/80.3, 104.33, 104.21;
D13/178, 180, 133, 146, 136, 134; 248/303;
D8/370, 367, 354; D25/126, 38; D6/549,
D6/524; 439/232, 241, 236, 242; D21/406,
D21/398

See application file for complete search history.

(56) **References Cited**

U.S. PATENT DOCUMENTS

4,313,154	A	1/1982	Capostagno et al.	
4,399,497	A	8/1983	Druffel	
4,754,377	A *	6/1988	Wenman	362/148
D326,537	S *	5/1992	Gattari	D26/74
D381,454	S *	7/1997	Lecluze	D26/118
6,364,511	B1	4/2002	Cohen	
6,517,218	B2	2/2003	Hochstein	
6,554,457	B1	4/2003	Platt	
D474,298	S *	5/2003	Lecluze	D26/74
D488,252	S *	4/2004	Benghozi	D26/118
D488,583	S *	4/2004	Benghozi	D26/118
D490,181	S *	5/2004	Redfern	D26/72
6,787,999	B2	9/2004	Stimac et al.	
D516,229	S *	2/2006	Tang	D26/2

7,102,172	B2	9/2006	Lynch et al.	
7,213,940	B1	5/2007	Van de Ven et al.	
D548,390	S *	8/2007	Lecluze	D26/138
D551,797	S *	9/2007	Rashidi	D26/118
7,344,279	B2	3/2008	Mueller et al.	
7,374,308	B2	5/2008	Sevack et al.	
D570,537	S *	6/2008	Chan et al.	D26/152
D573,294	S *	7/2008	Chan et al.	D26/74
D586,497	S *	2/2009	Wu et al.	D26/118
D591,894	S *	5/2009	Flank	D26/74
D595,005	S *	6/2009	Chou	D26/74
7,597,460	B1 *	10/2009	Rashidi	362/348
D610,289	S *	2/2010	Yoshinobu et al.	D26/74
7,658,517	B2	2/2010	Czech et al.	
7,722,227	B2	5/2010	Zhang et al.	
D624,691	S *	9/2010	Zhang et al.	D26/138
7,862,214	B2	1/2011	Trott et al.	
D636,115	S *	4/2011	Dai	D26/134
D636,921	S *	4/2011	Van de Ven et al.	D26/74
D638,160	S *	5/2011	Van De Ven et al.	D26/74

(Continued)

Primary Examiner — Kevin Rudzinski

(74) *Attorney, Agent, or Firm* — King & Spalding LLP

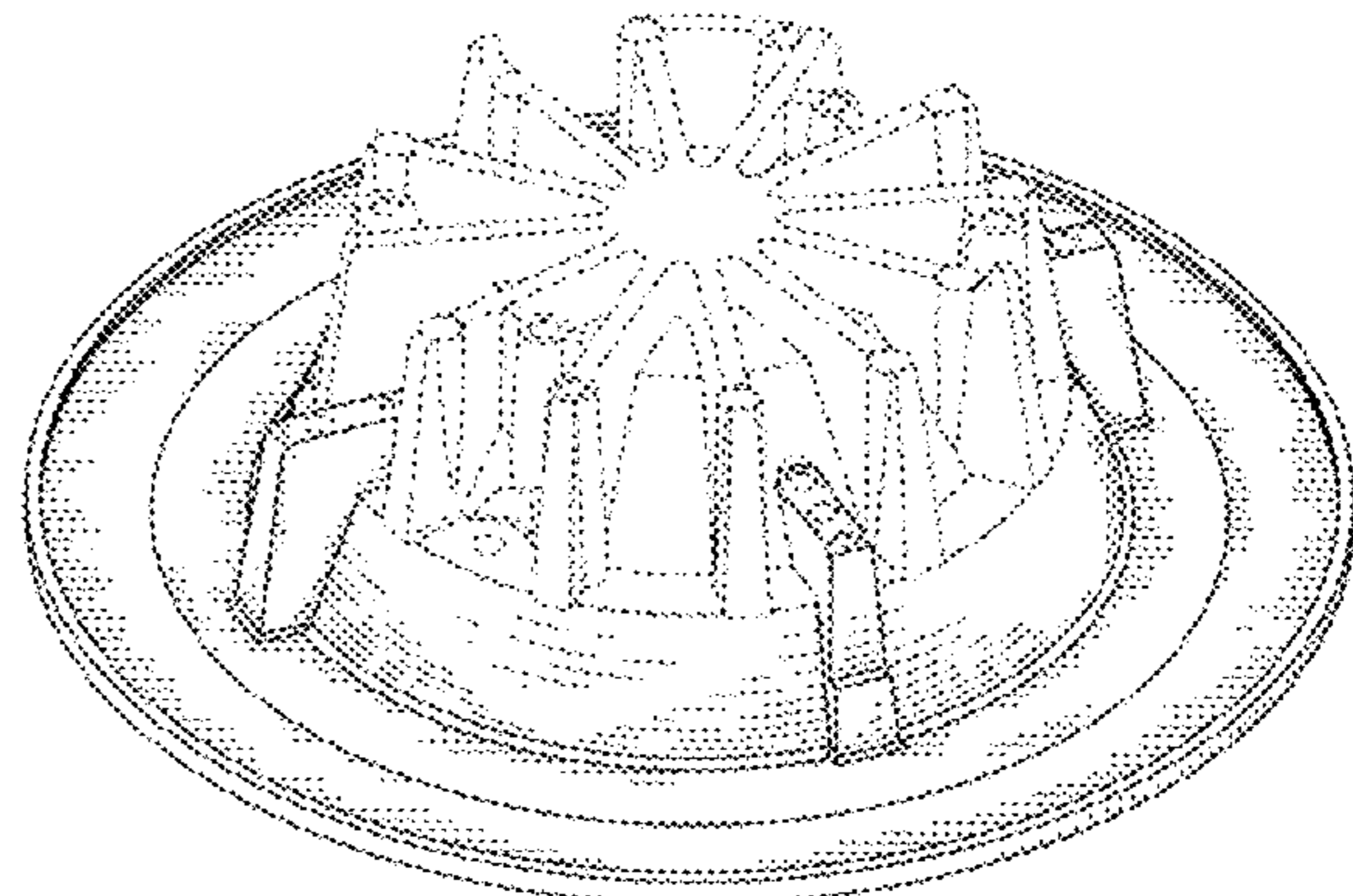
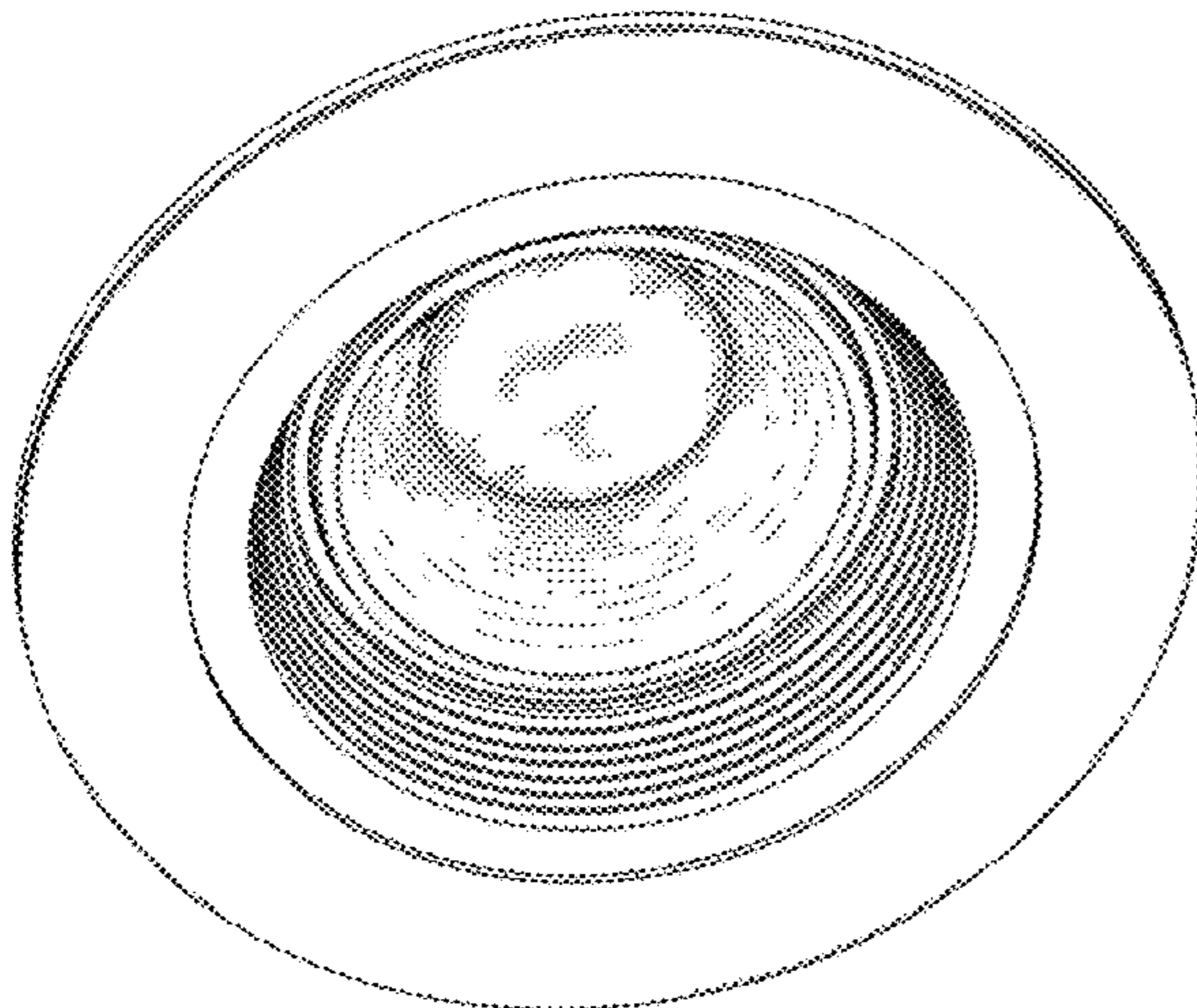
(57) **CLAIM**

The ornamental design for a light module, as shown and described.

DESCRIPTION

FIG. 1 is a bottom perspective view of a light module, showing my new design;
 FIG. 2 is a bottom plan view thereof;
 FIG. 3 is a top plan view thereof;
 FIG. 4 is a top perspective view thereof;
 FIG. 5 is a front elevation view thereof;
 FIG. 6 is a right-side elevation view thereof;
 FIG. 7 is a back elevation view thereof; and,
 FIG. 8 is a left-side elevation view thereof.
 In the drawings, the dash-dot-dash broken lines indicate the boundaries of the claim while the evenly spaced broken lines depict unclaimed environment. The broken lines form no part of the claimed design.

1 Claim, 6 Drawing Sheets



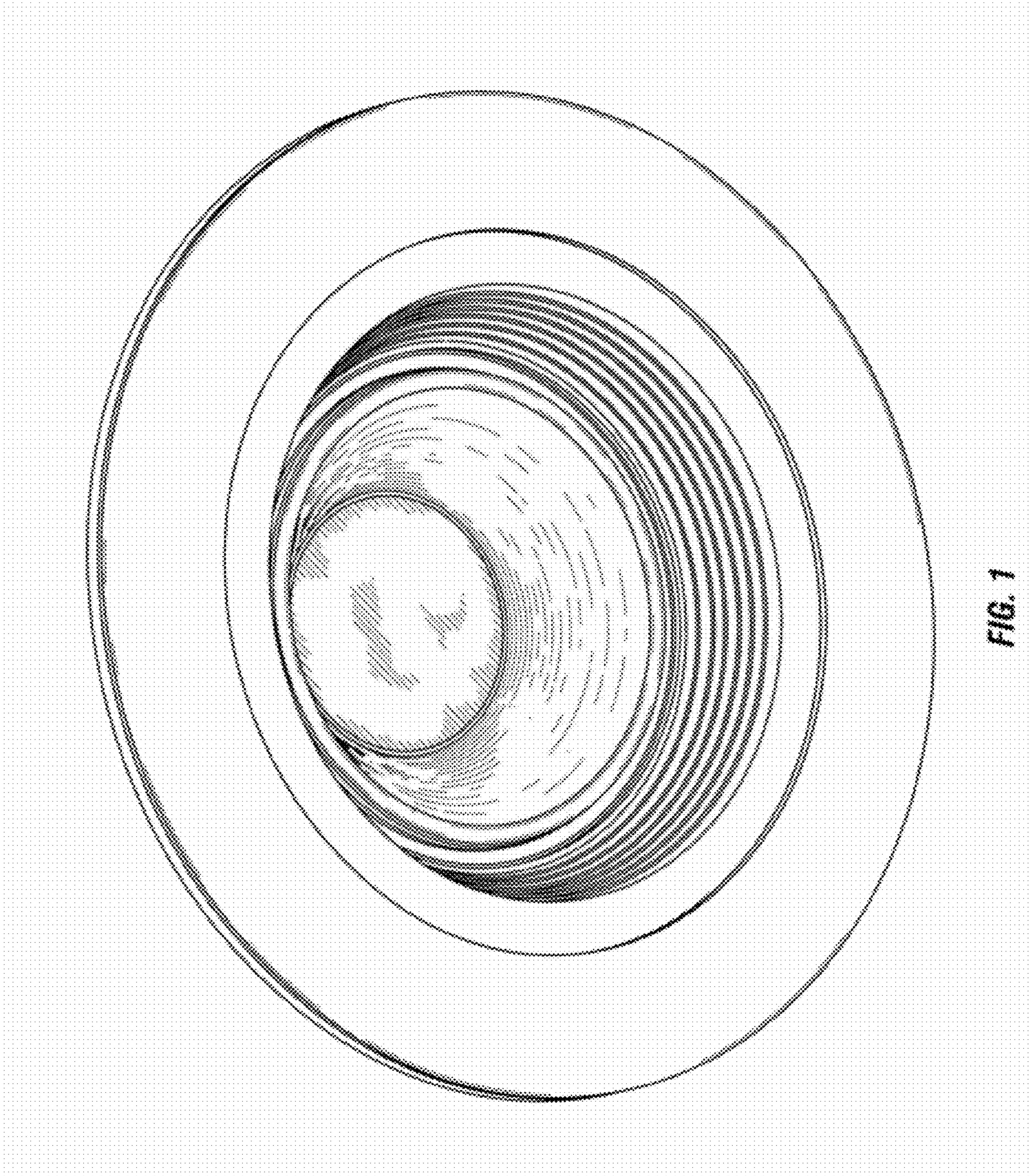
US D663,888 S

Page 2

U.S. PATENT DOCUMENTS

2005/0174780	A1 *	8/2005	Park	362/294	2010/0039829	A1 *	2/2010	Tsai	362/373
2007/0253202	A1 *	11/2007	Wu et al.	362/294	2010/0061108	A1	3/2010	Zhang et al.	
2008/0130298	A1 *	6/2008	Negley et al.	362/365	2010/0085766	A1	4/2010	Czech et al.	
2008/0304269	A1	12/2008	Pickard et al.		2010/0110699	A1	5/2010	Chou	

* cited by examiner



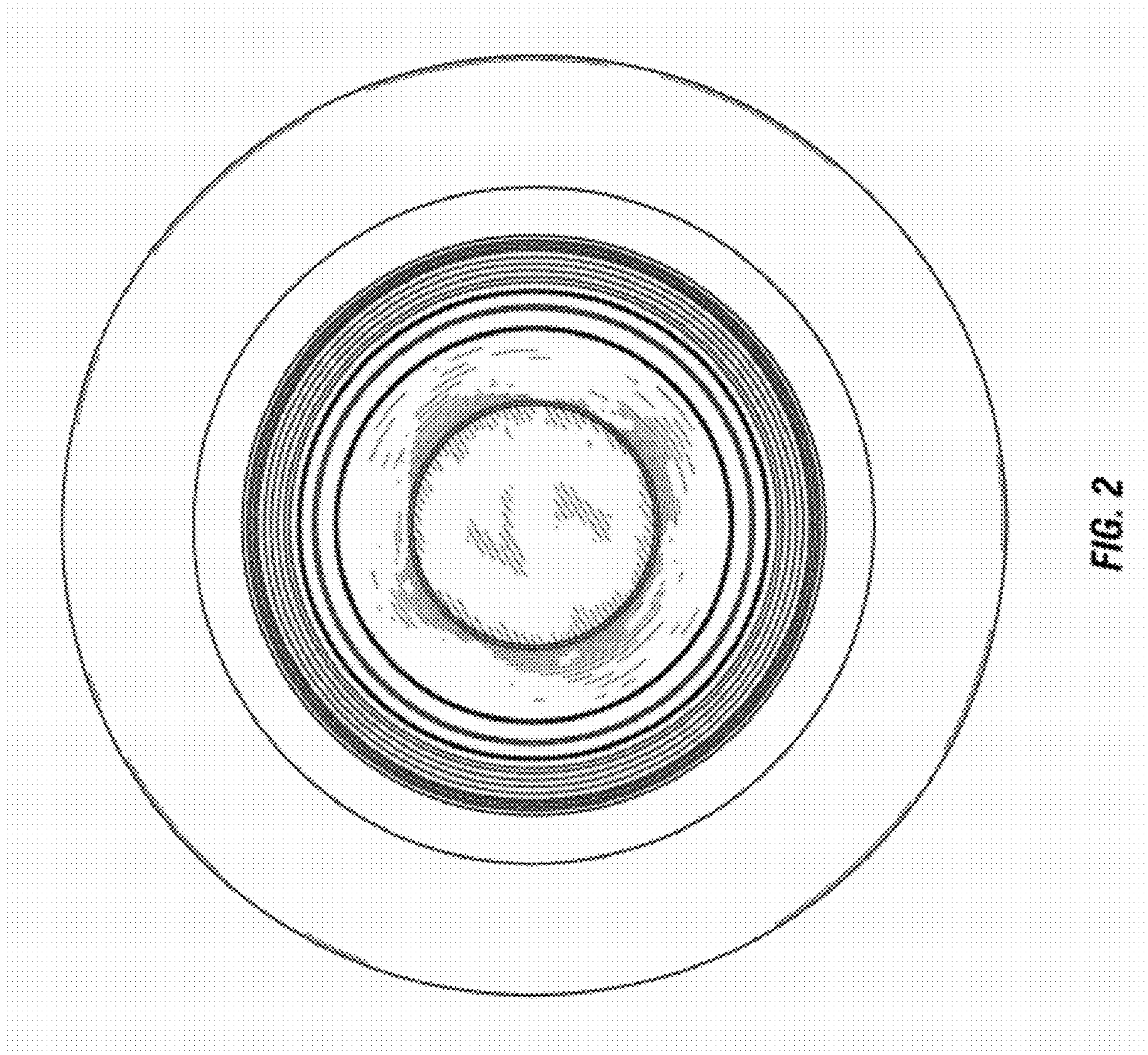


FIG. 2

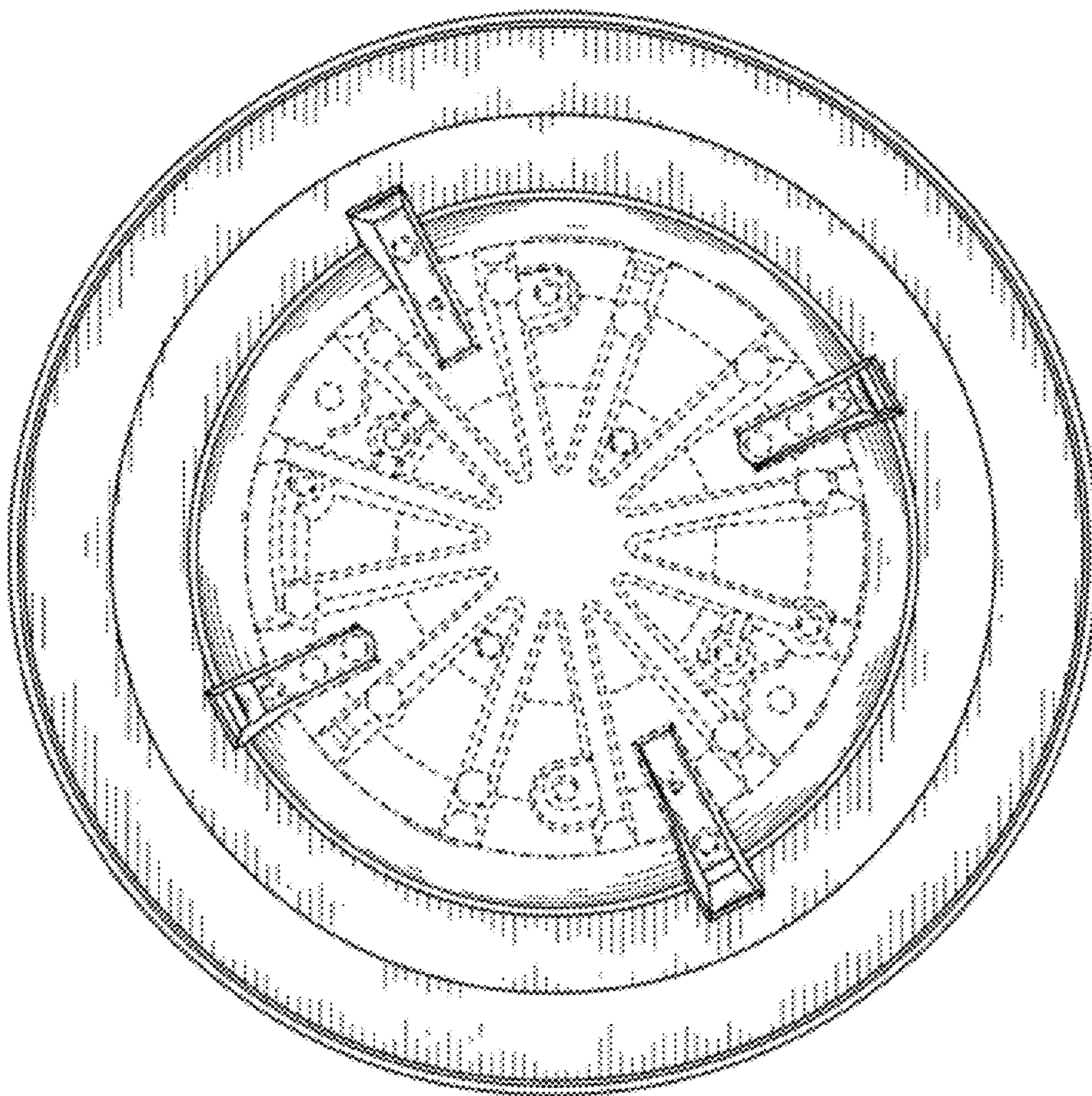


FIG. 3

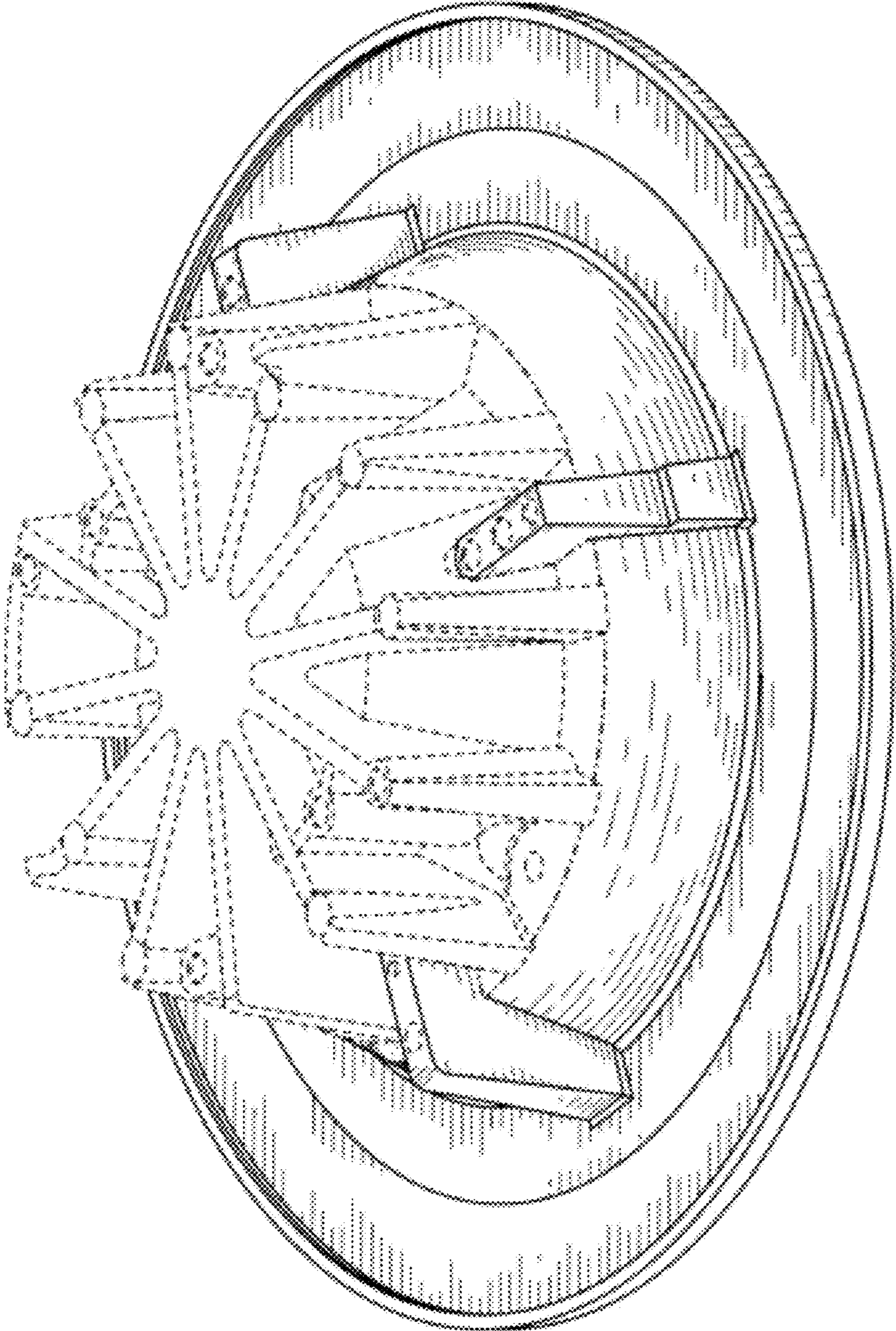
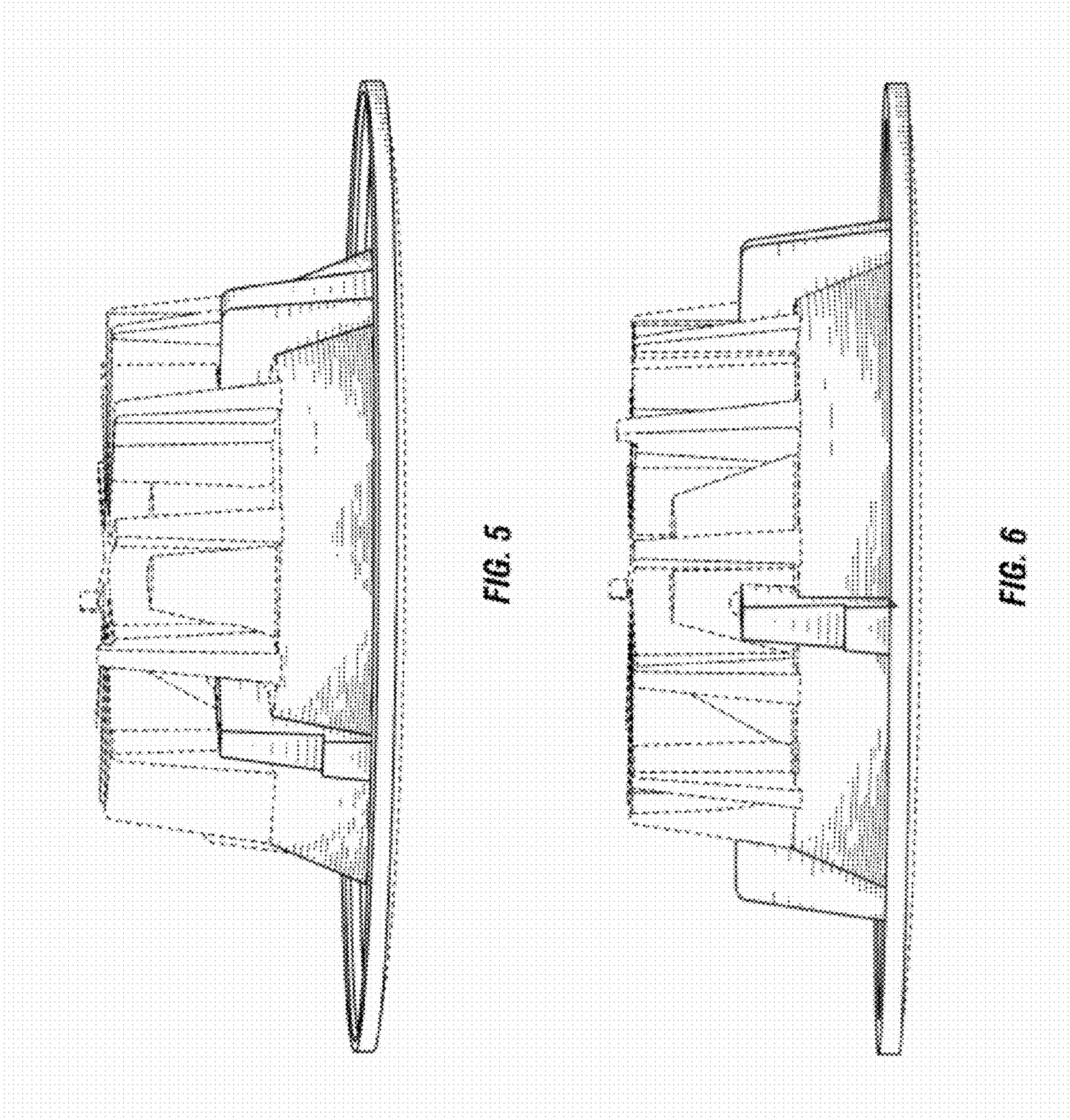


FIG. 4



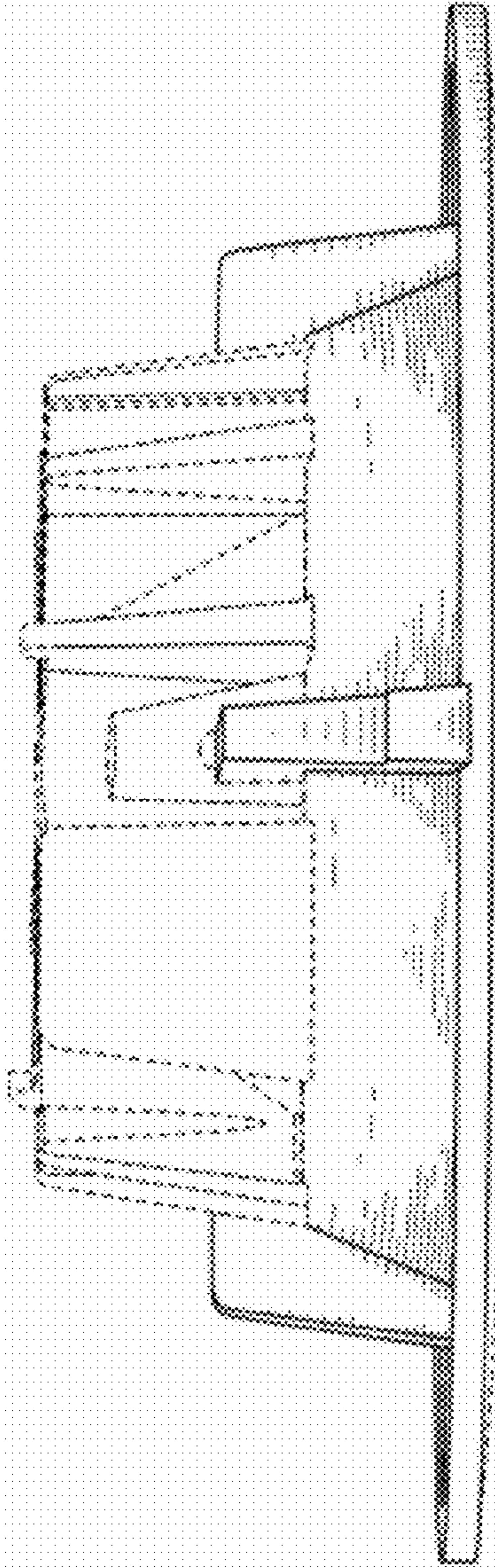


FIG. 7

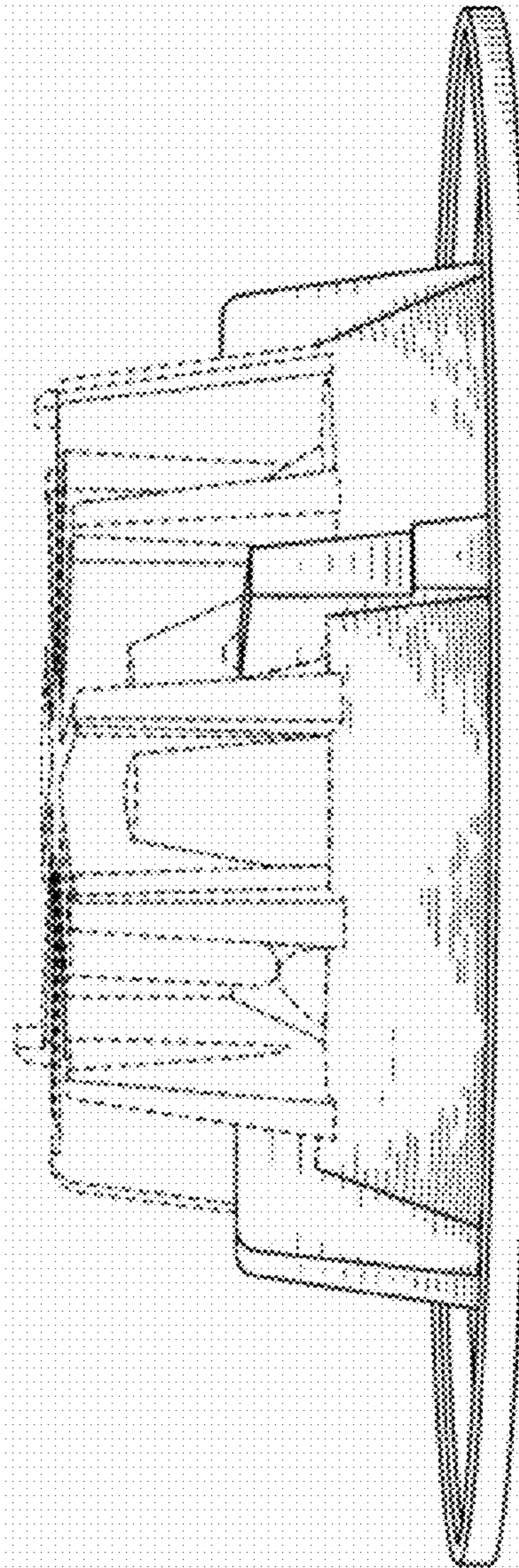


FIG. 8